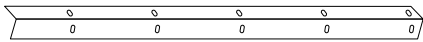
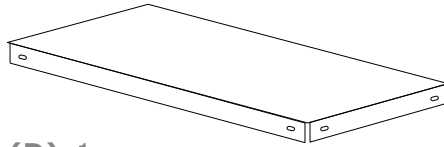




(A)x4



(C)x2



(E)x6



(H)x4



(F)x24

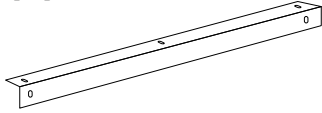


(I)x2

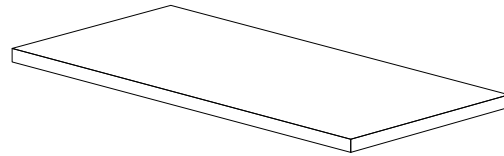


(G)x12

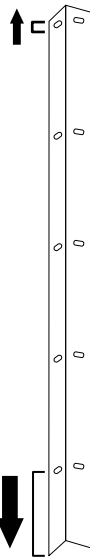
(B)x2



(D)x1



01

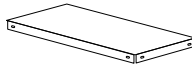


02

(A)x4



(C)x1



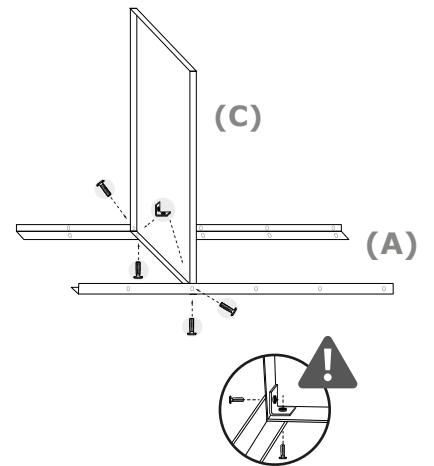
(G)x2



(F)x4

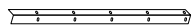


(I)x1



03

(A)x4



(C)x1



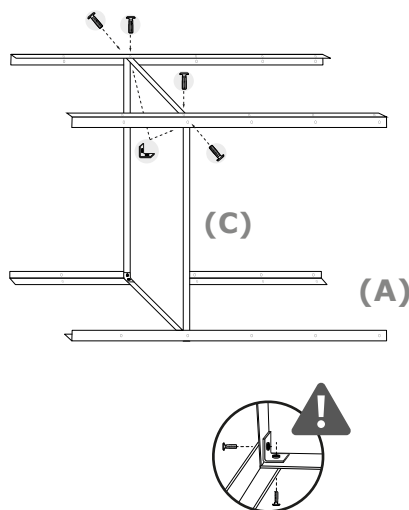
(G)x2



(F)x4

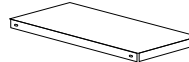


(I)x1



04

(C)x1



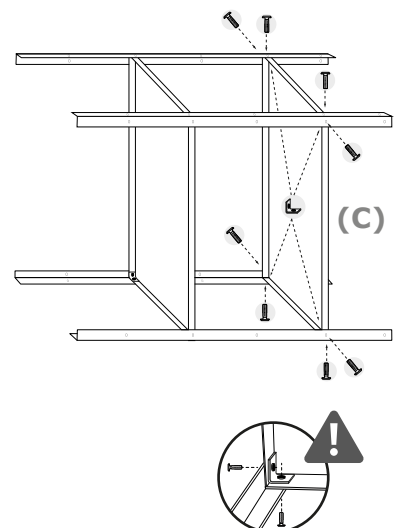
(G)x4



(F)x8



(I)x1



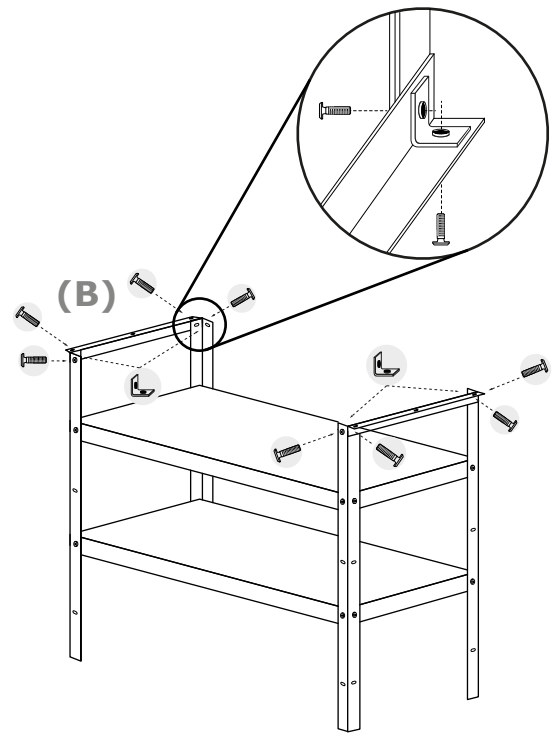
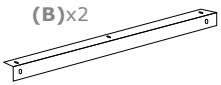
05

(F)x8

(G)x4

(I)x1

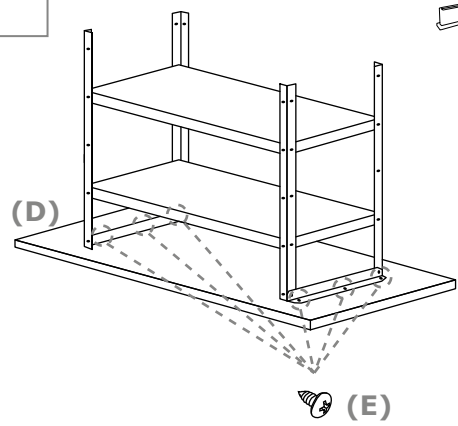
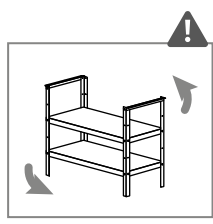
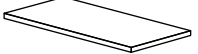
(B)x2



06

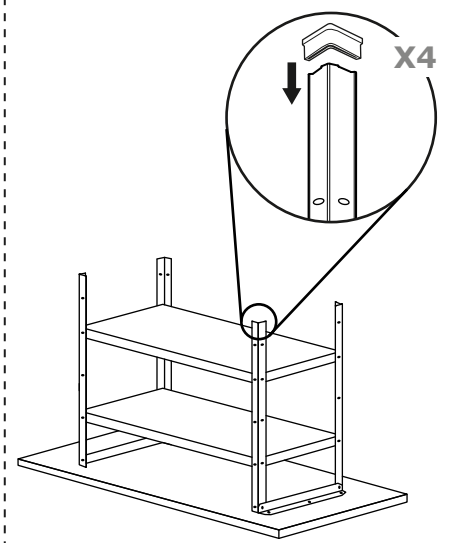
(E)x6

(D)x1



07

(H)x4



08

