


1/6

1082/ABERDEEN.SET/040725/

A  x 1	B  x 1	C  x 1	D  x 1	E  x 8	F  x 20
--------------	--------------	--------------	--------------	--------------	---------------

A 	B 	C 	D 
 E x 8			

G  x 4	H  x 24	I  x 1	J  x 2	K  x 2
--------------	---------------	--------------	--------------	--------------

L  x 16				
---------------	--	--	--	--

2/6

1082/ABERDEEN.SET/040725/

1

B  x 1	C  x 1	F  x 20	J  x 2	K  x 2
--------------	--------------	---------------	--------------	--------------

1  
2

3

E  x 8	H  x 16	L  x 16	I  x 1
--------------	---------------	---------------	--------------

3/6

1082/ABERDEEN.SET/040725/

2

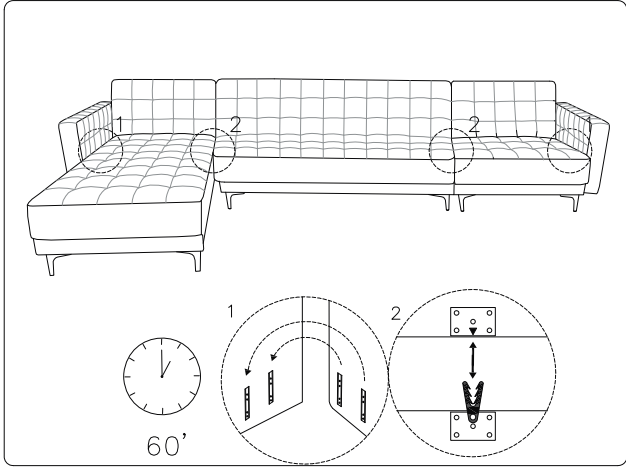
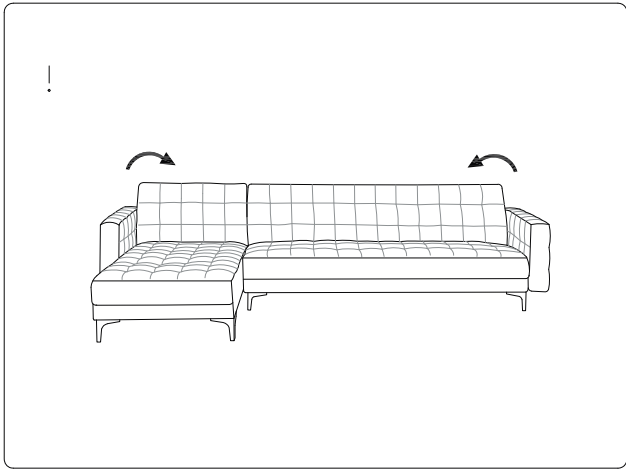
G  x 4	H  x 8	I  x 1
--------------	--------------	--------------

4

1 2

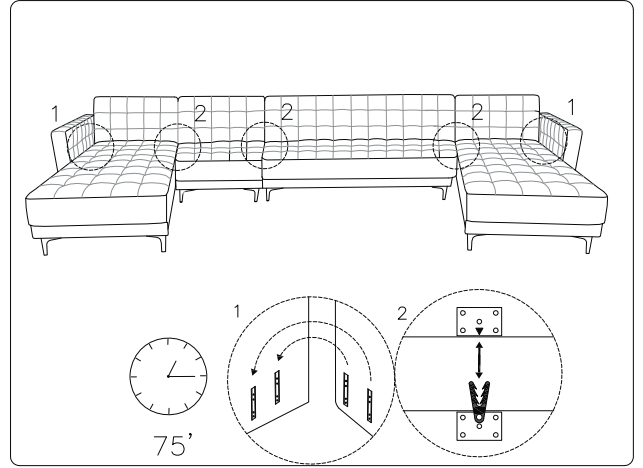
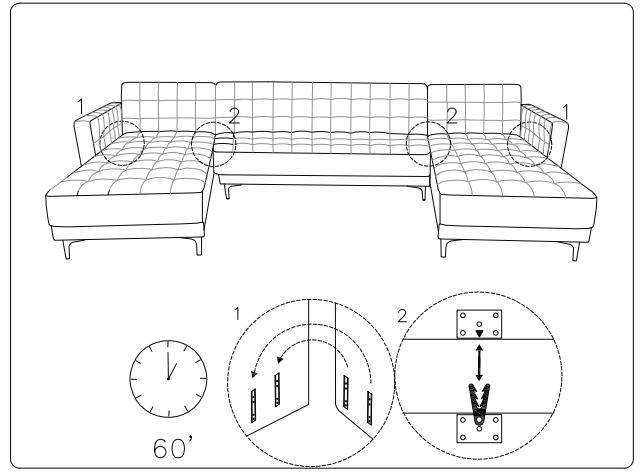
4/6

1082/ABERDEEN.SET/040725/



5/6

1082/ABERDEEN.SET/040725/



6/6

1082/ABERDEEN.SET/040725/