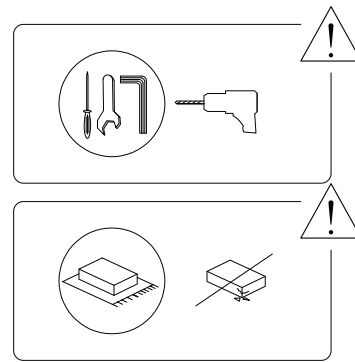
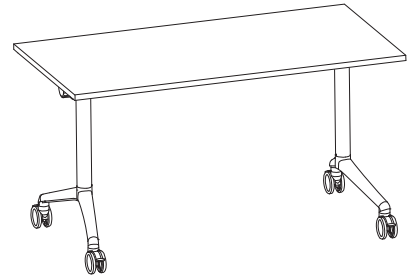
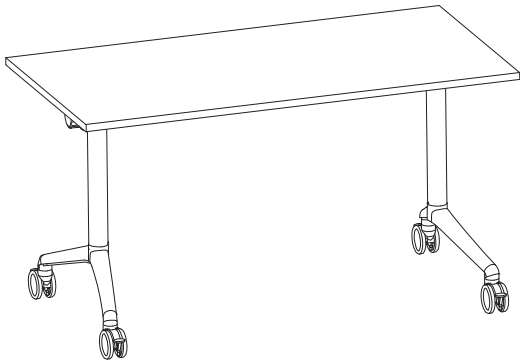
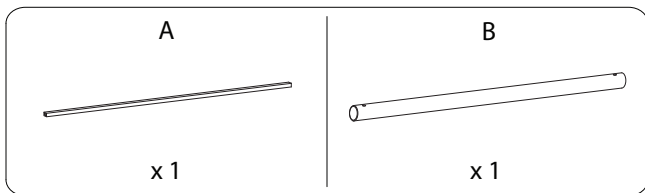


CAVI

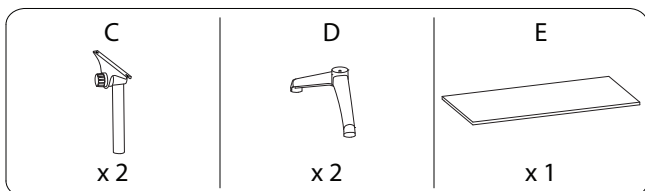
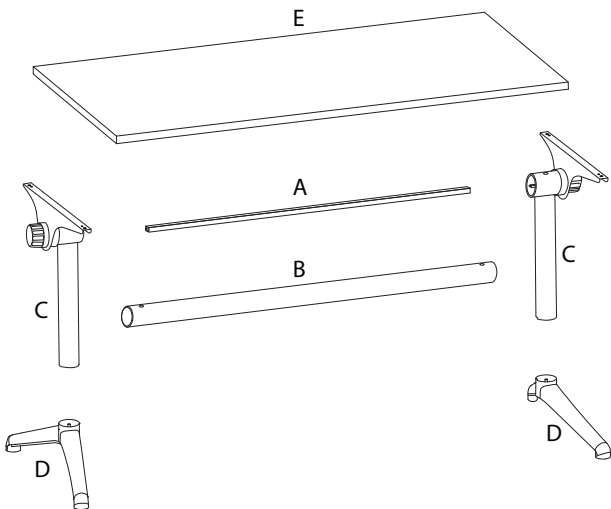


1/9

2249/CAW050724/



1 x 1	2 x 1	3 x 4
4 x 2	5 x 1	6 x 6
7 x 1	8 x 4	9 x 1

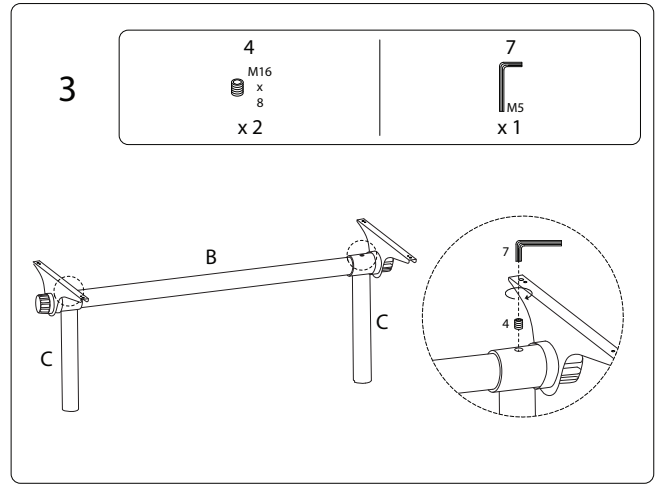
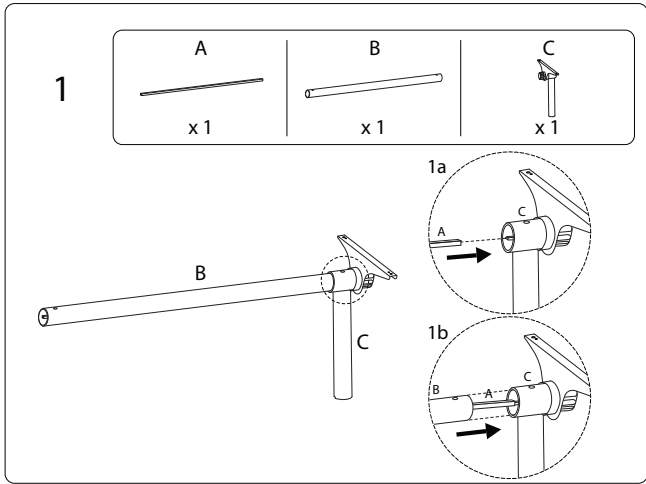
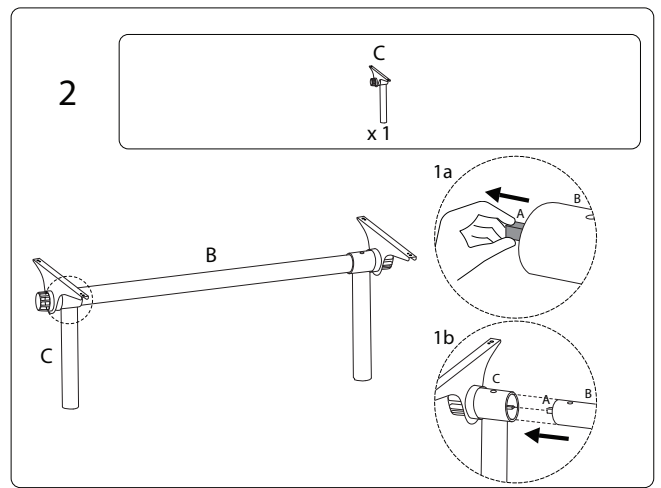
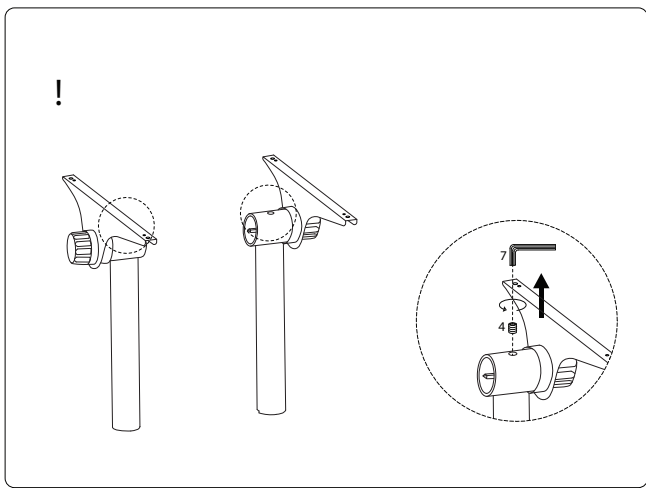


2/9

2249/CAW050724/

3/9

2249/CAW050724/

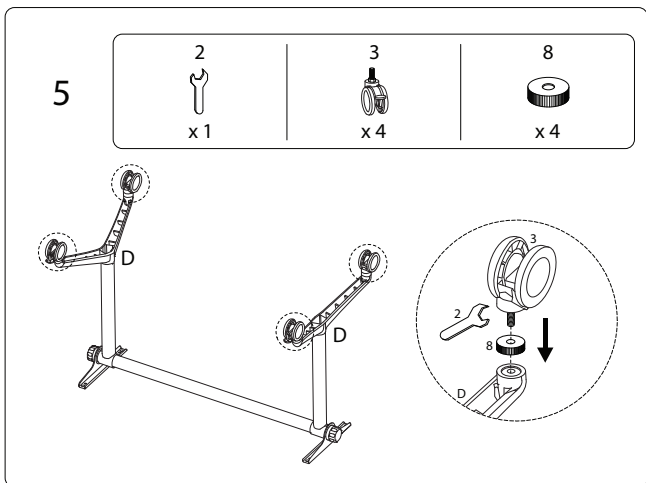
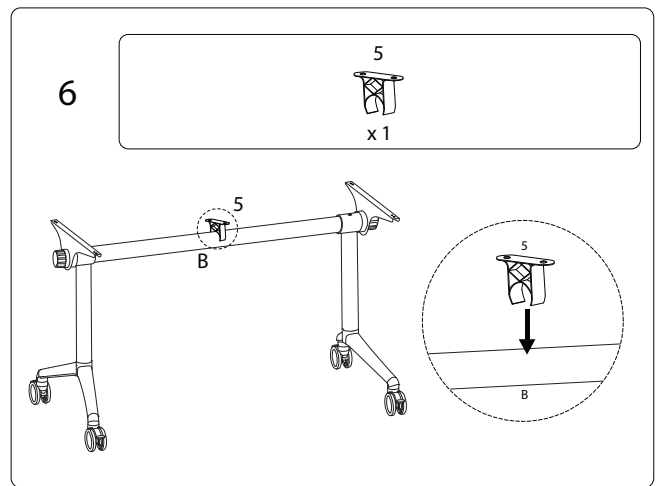
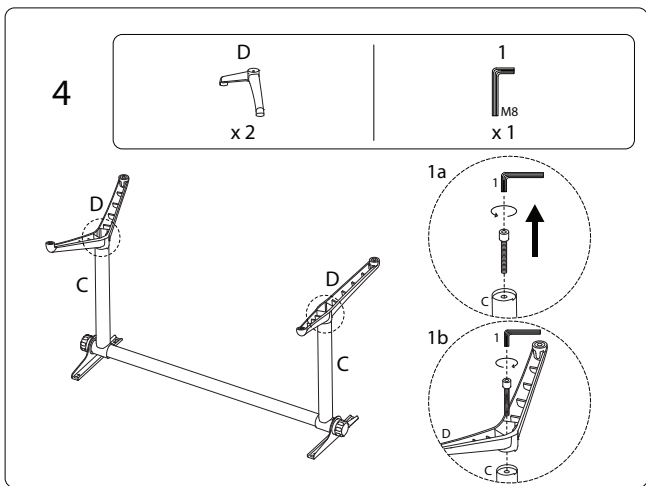


4/9

2249/CAW050724/

5/9

2249/CAW050724/

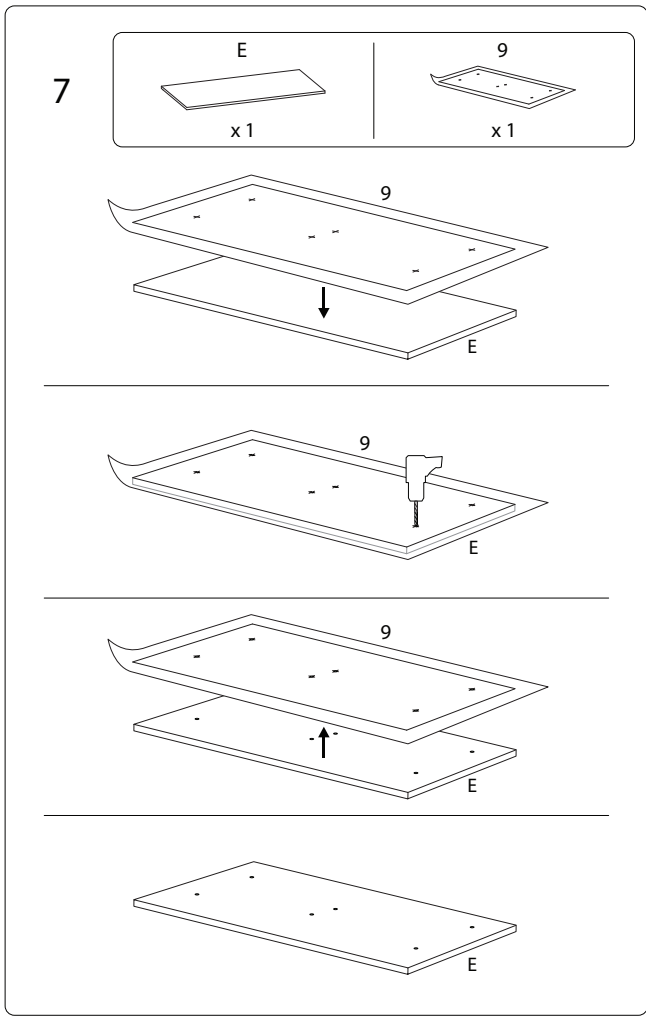


6/9

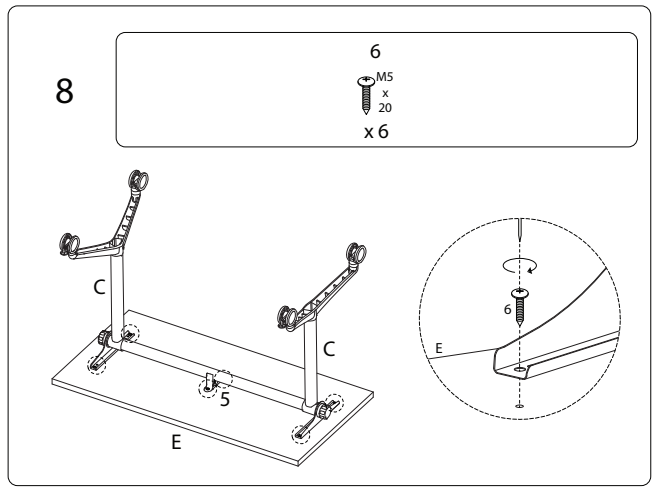
2249/CAW050724/

7/9

2249/CAW050724/



2249/CAW050724/



2249/CAW050724/

