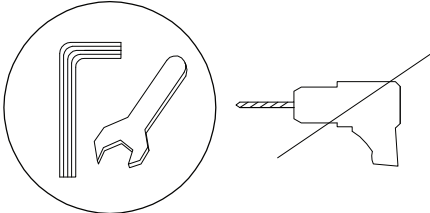
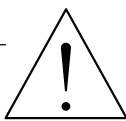
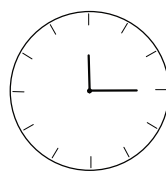
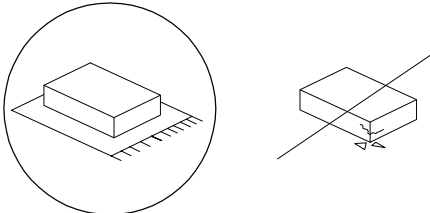

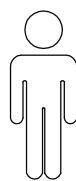


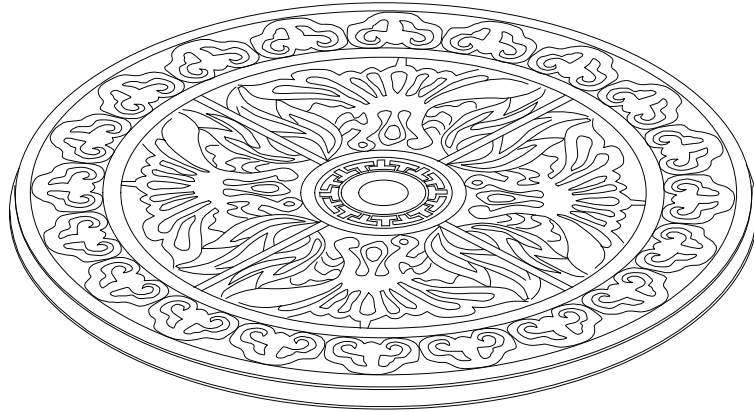
# ANDALO



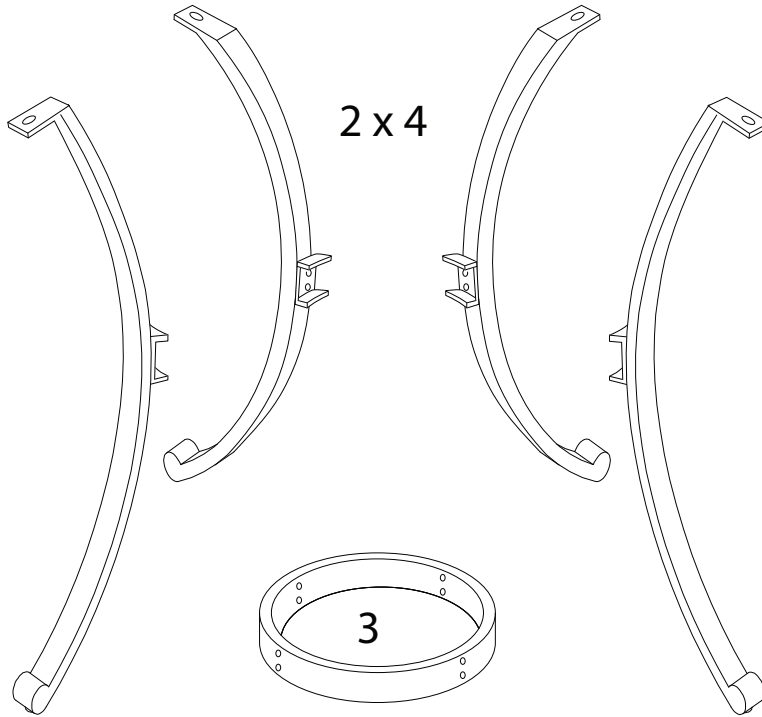


		
		<p>15'</p>
		
		<p>1</p>

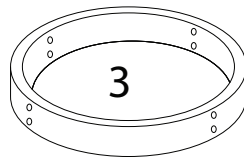
1



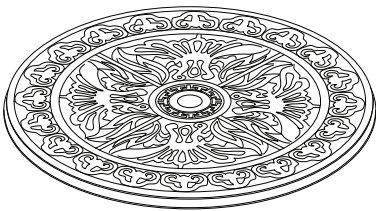
2 x 4



3



1



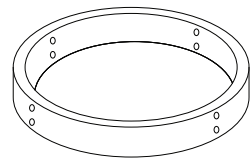
x 1

2



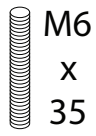
x 4

3



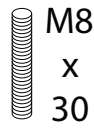
x 1

A



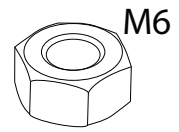
x 8

B



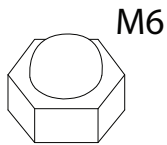
x 4

C



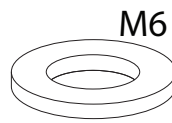
x 8

D



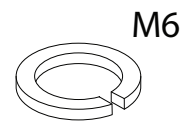
x 8

E



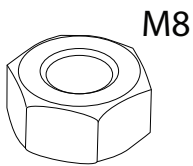
x 8

F



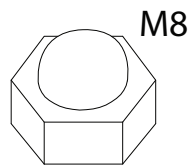
x 8

G



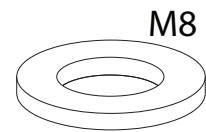
x 4

H



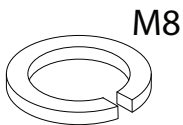
x 4

I



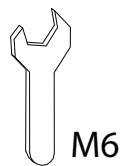
x 4

J



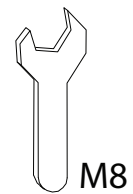
x 4

K1



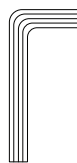
x 1

K2



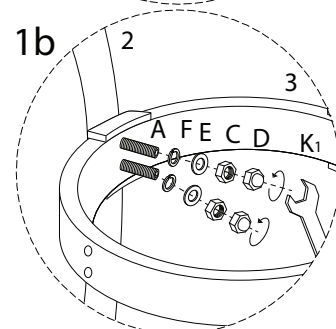
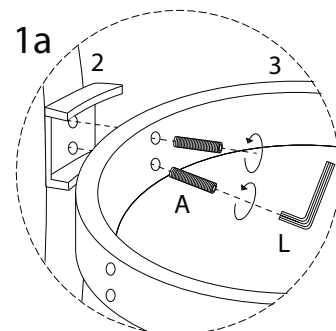
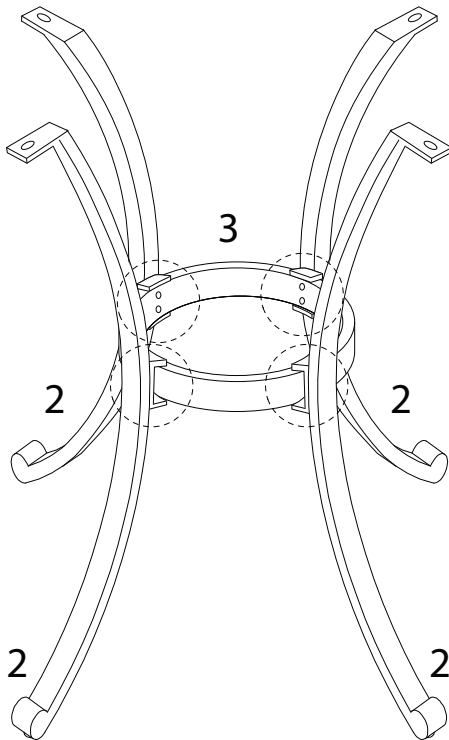
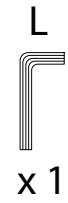
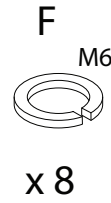
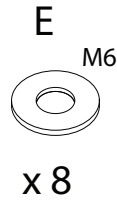
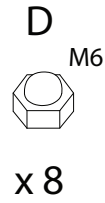
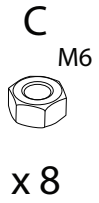
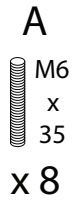
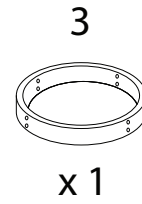
x 1

L

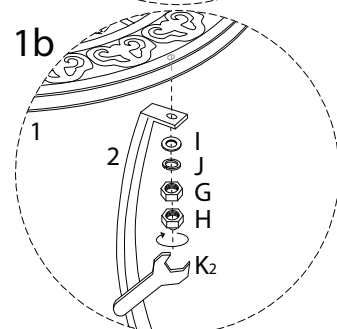
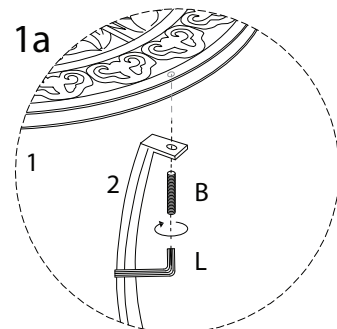
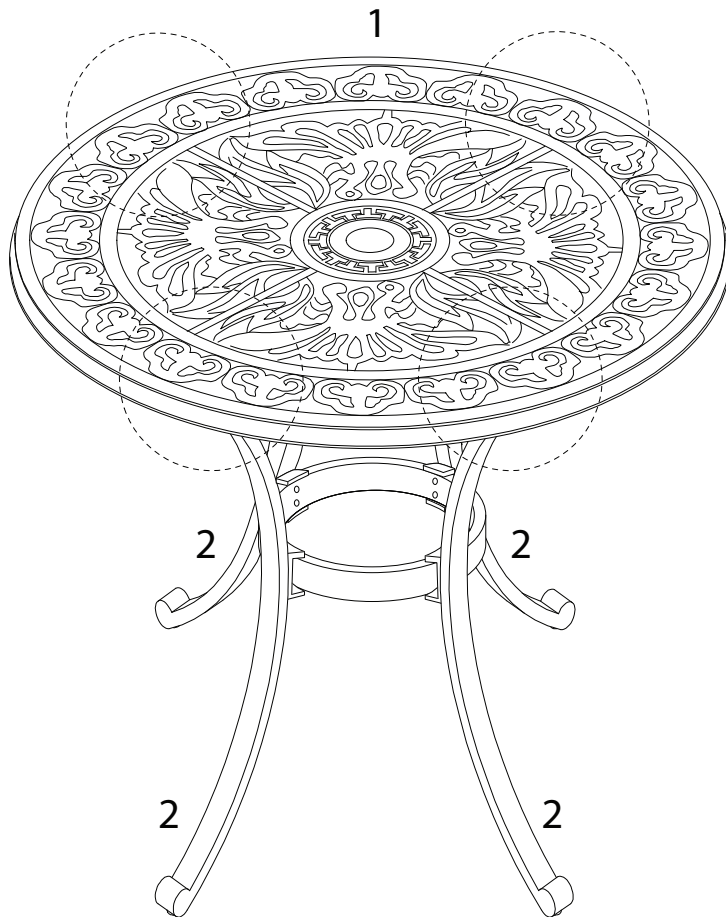
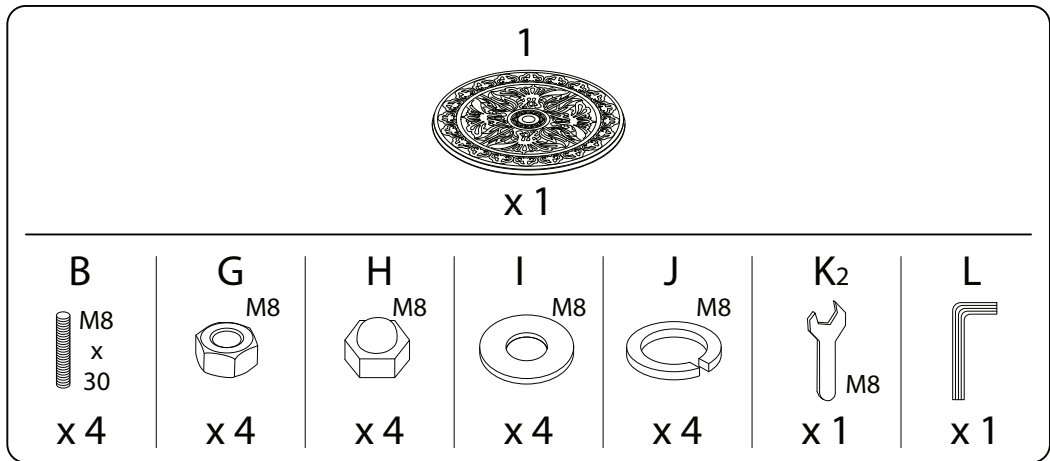


x 1

1



2



!

