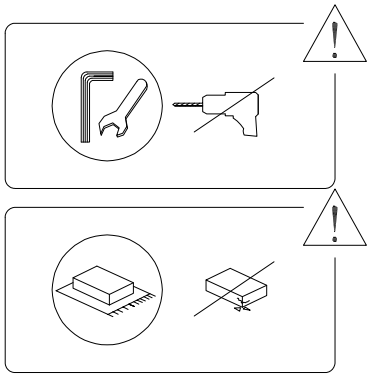
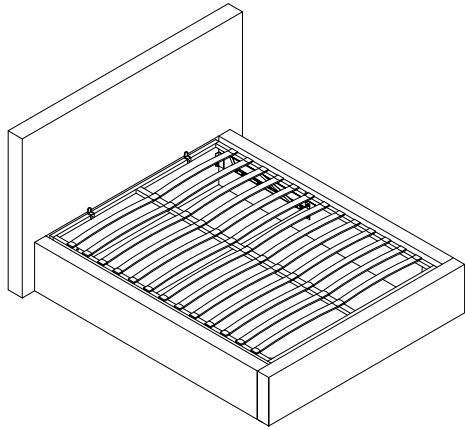


ASSEMBLY DIAGRAM



1/7

Parts List

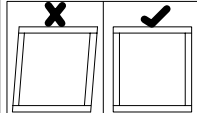
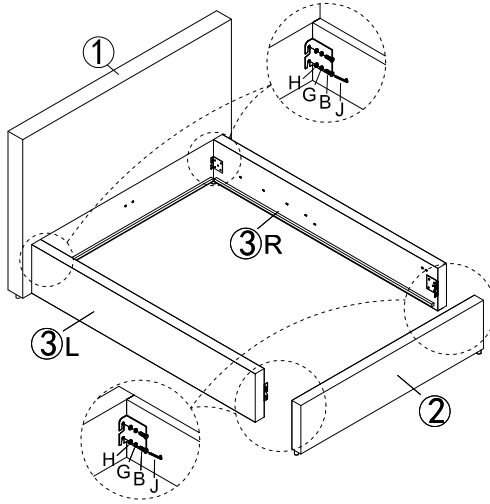
1: 1PC	2: 1PC	3: R L 2PCS	4: 1SET
5: 26PCS	6: 2PCS	7: 2PCS	8: 2PCS
9: 2PCS	10: 2PCS	11: 1PC	12: 2PCS
13: 1PC	14: 2PCS	15: 8PCS	16: 26PCS
17: 13PCS			

Hardware List

A: M8*45mm 14PCS	B: M8*30mm 8PCS	C: M6*20mm 12PCS	D: M6*40mm 8PCS	E: M6*50mm 4PCS	F: M8*14mm 14PCS
G: M8 22PCS	H: M8 22PCS	I: M6 24PCS	J: M8 1PC	K: M6 1PC	L: M8 1PC
M: 6PCS					

2/7

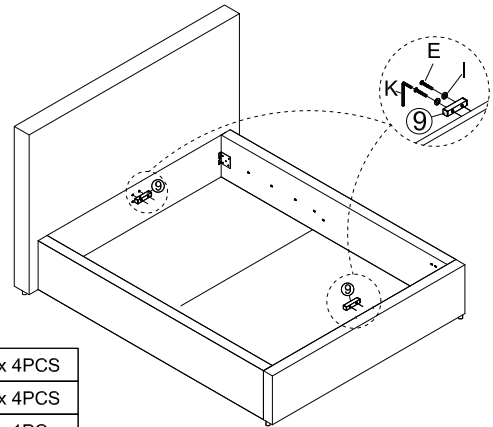
STEP 1



Note: Ensure that footboard, headboard and side rails are square.

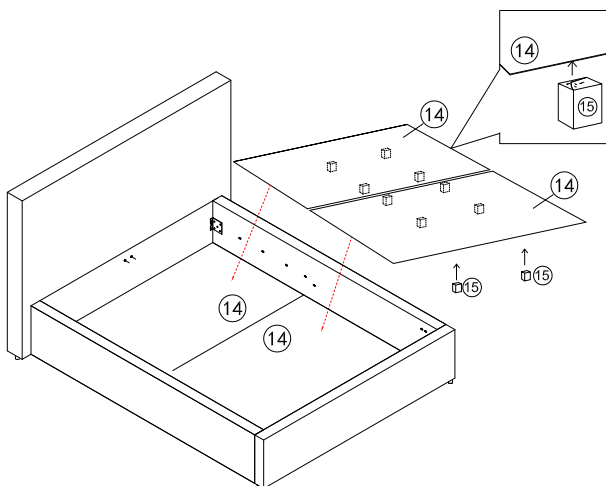
B x 8PCS
H x 8PCS
G x 8PCS
J x 1PC

STEP 3



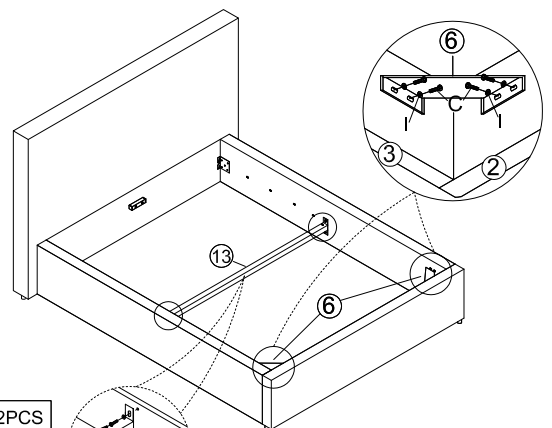
E x 4PCS
I x 4PCS
K x 1PC
9 x 2PCS

STEP 4



15 x 8PCS

3/7

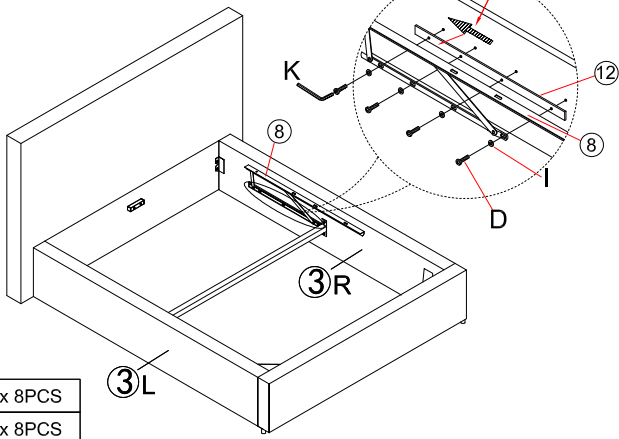


C x 12PCS
I x 12PCS
K x 1PC
6 x 2PCS

4/7

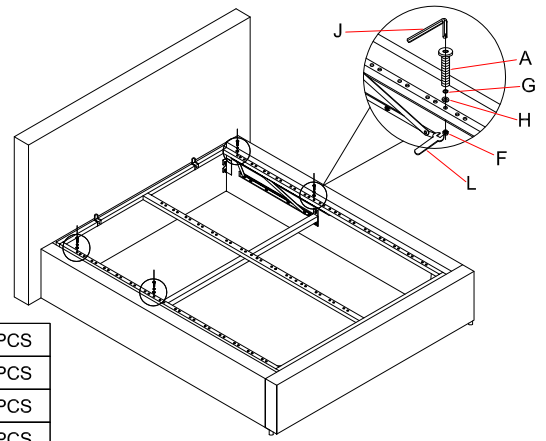
STEP 5

ARROW TO HEADBOARD



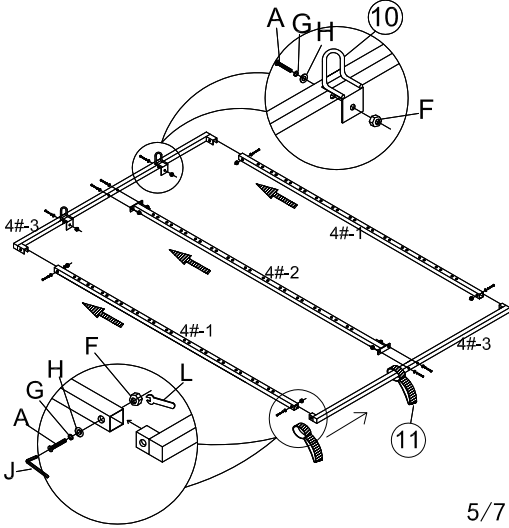
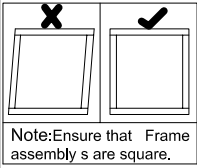
	D x 8PCS
	I x 8PCS
	K x 1PC

STEP 7



	A x 4PCS
	H x 4PCS
	G x 4PCS
	F x 4PCS
	J x 1PC
	L x 1PC

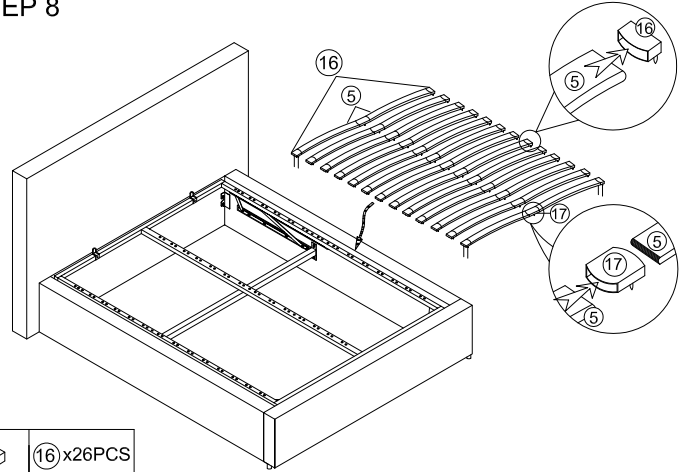
STEP 6



	A x 10PCS
	H x 10PCS
	G x 10PCS
	F x 10PCS
	J x 1PC
	L x 1PC
	10 x 2PCS
	11 x 1PC

5/7

STEP 8

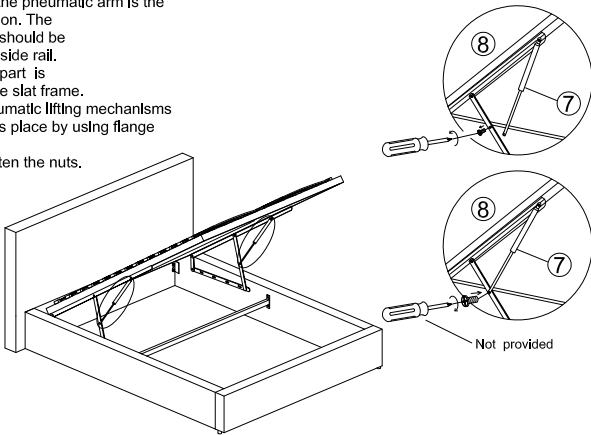


	16 x 26PCS
	17 x 13PCS
	5 x 26PCS

6/7

STEP 9

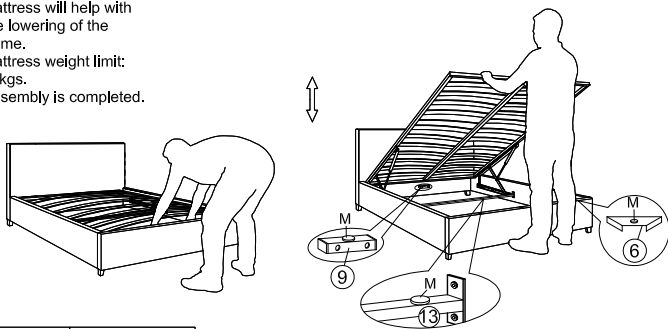
Assembly Instructions
Please ensure the pneumatic arm is the correct orientation. The thinner section should be attached to the side rail, and the thicker part is connected to the slat frame. secure the pneumatic lifting mechanisms on the side rails place by using flange nuts as shown. Do not overtighten the nuts.



STEP 10

Assembly Instructions

Please note: Before lowering the slat frame into position, place the mattress on the slat frame. The weight of the mattress will help with the lowering of the frame. Mattress weight limit: 50kgs. Assembly is completed.



	M x 6PCS
--	----------

7/7