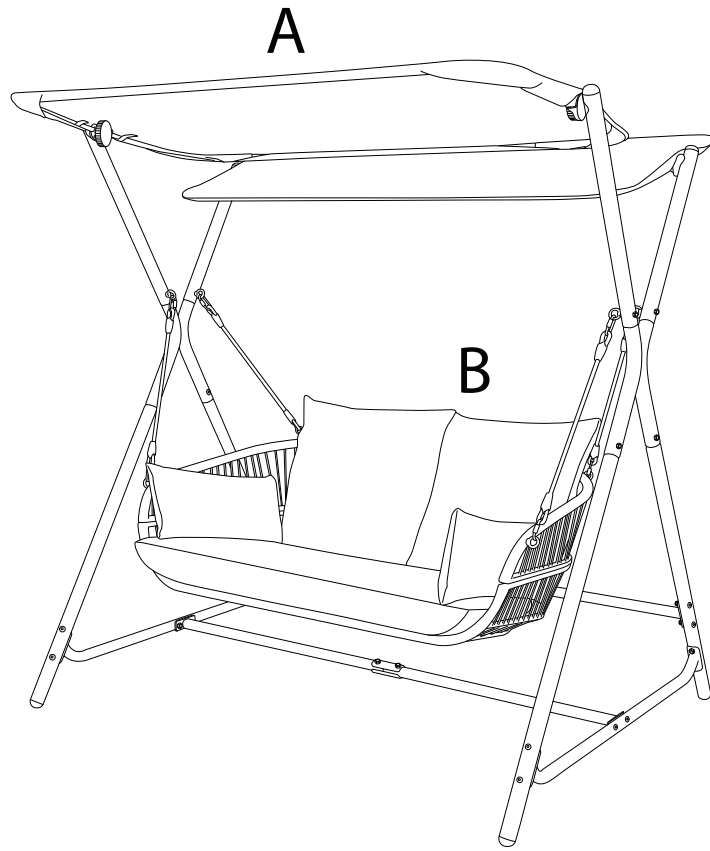


FIASTRA

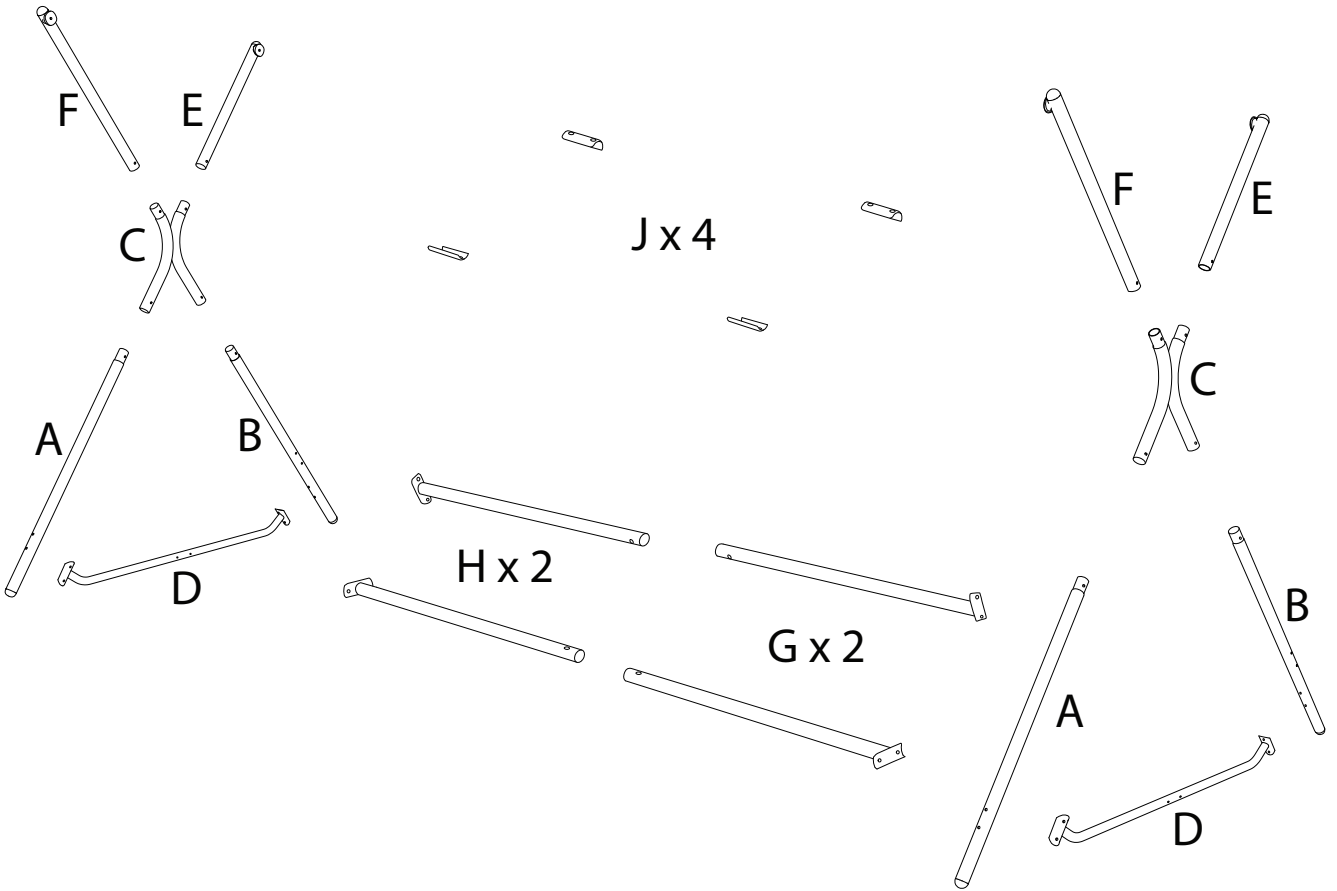
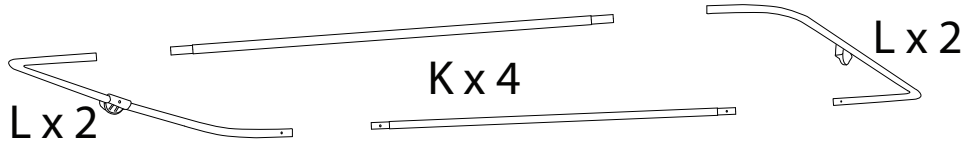


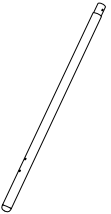
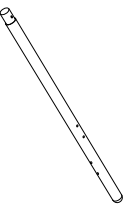
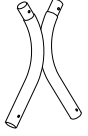


Assembly instructions for the swing set:

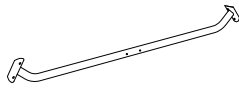
- Tools:** A circle containing an Allen key and a wrench, and a crossed-out power drill icon, indicating that a power drill should not be used.
- Warning:** A triangle with an exclamation mark.
- Time:** A clock icon with a circular arrow, indicating a 60-minute assembly time.
- Capacity:** A person icon with the number '2' below it, indicating that the swing set is designed for two people.
- Foundation:** A circle containing a rectangular block on a textured surface, and a crossed-out block on a smooth surface, indicating that the swing set should be placed on a soft, textured surface like grass or a mat.
- Warning:** A triangle with an exclamation mark.

A



<p>A</p>  <p>x2</p>	<p>B</p>  <p>x2</p>	<p>C</p>  <p>x2</p>
--	--	--

D



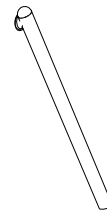
x 2

E



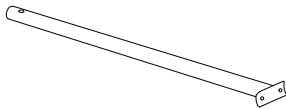
x 2

F



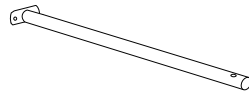
x 2

G



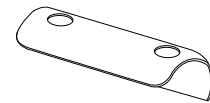
x 2

H



x 2

J



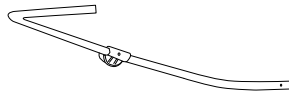
x 4

K



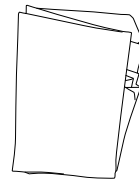
x 4

L



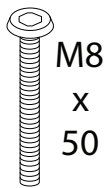
x 4

M



x 2

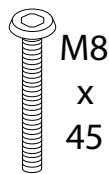
1



M8
x
50

x 24

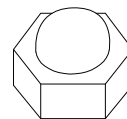
2



M8
x
45

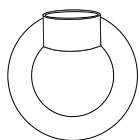
x 4

5



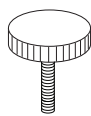
x 24

7



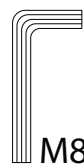
x 4

9



x 4

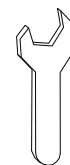
12



M8

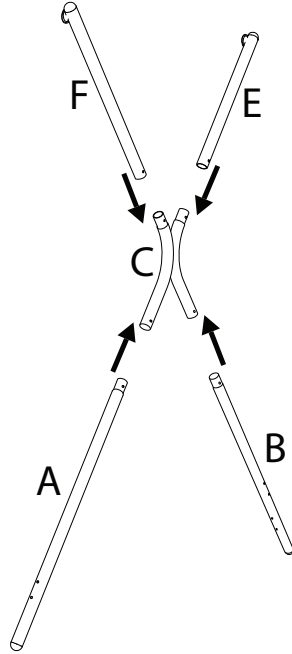
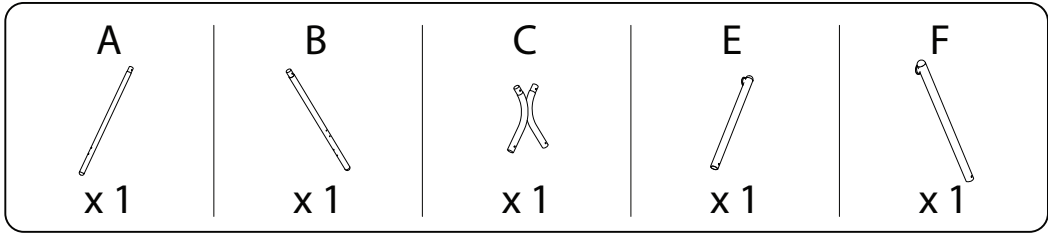
x 1

13

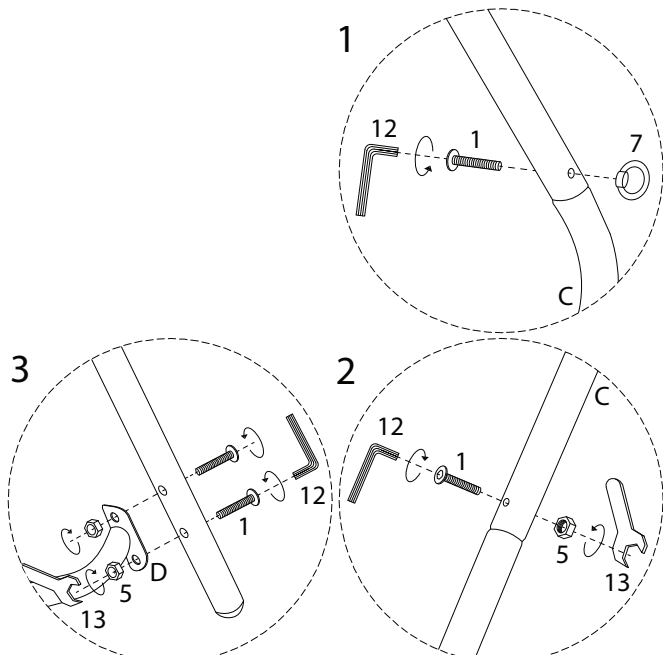
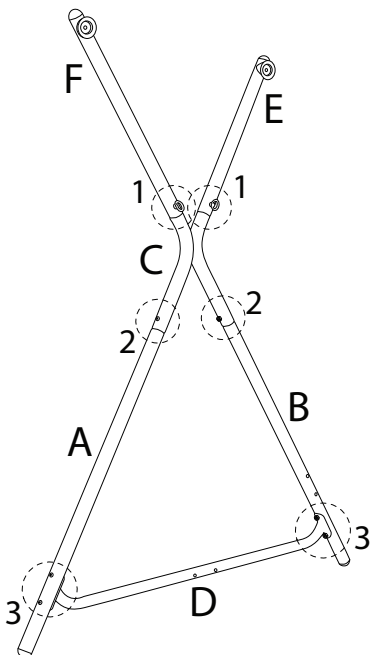
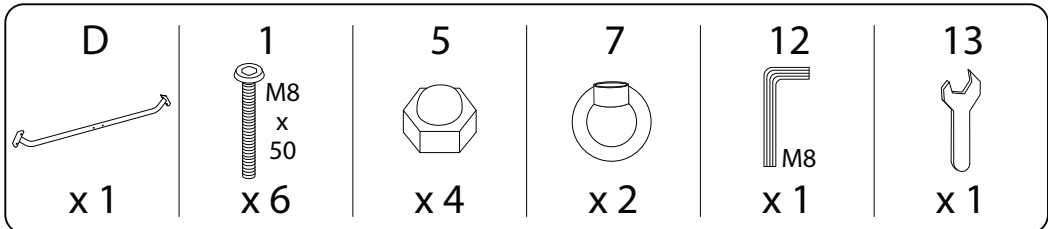


x 1

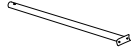
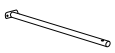
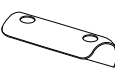
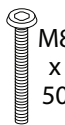
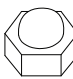


1 x 2

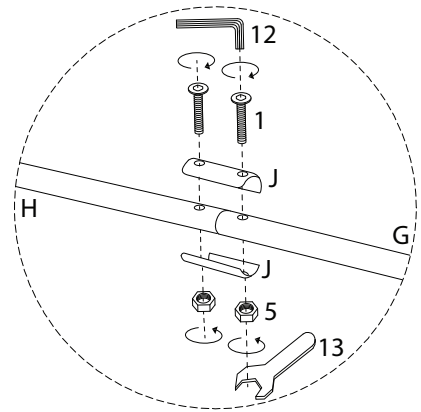
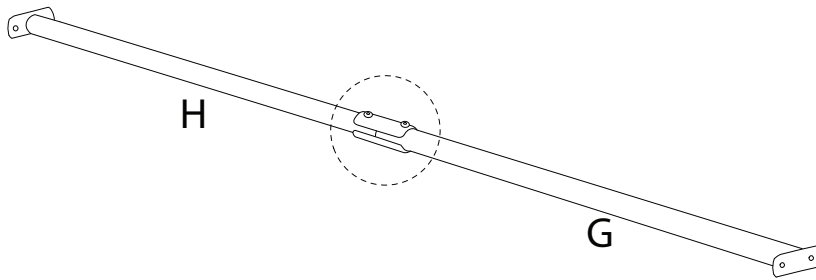


2 x 2

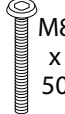
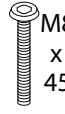
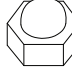




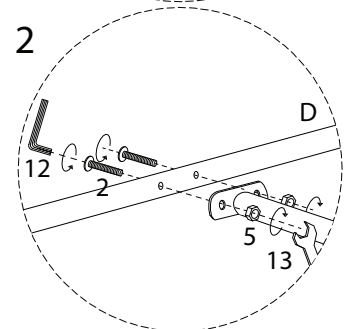
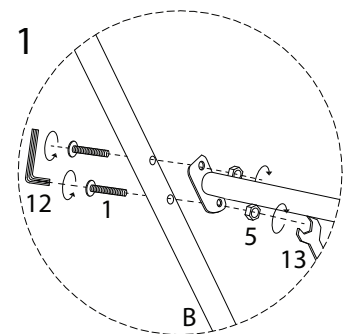
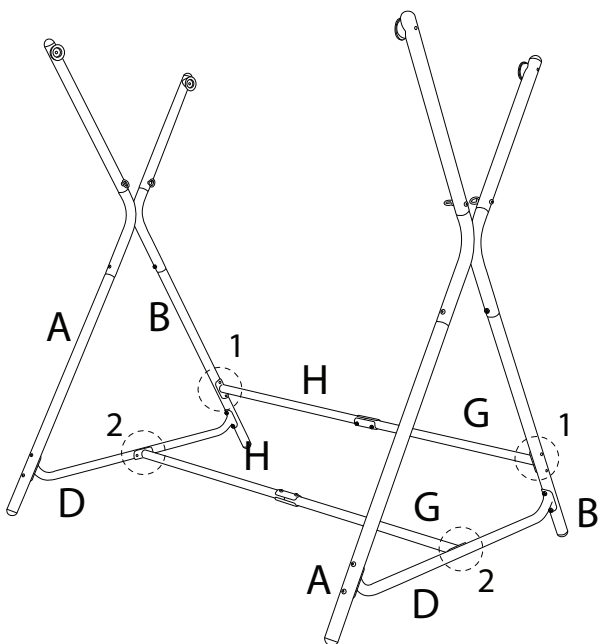
3 x 2

G	H	J	1	5	12	13
						
x 1	x 1	x 2	x 2	x 2	x 1	x 1

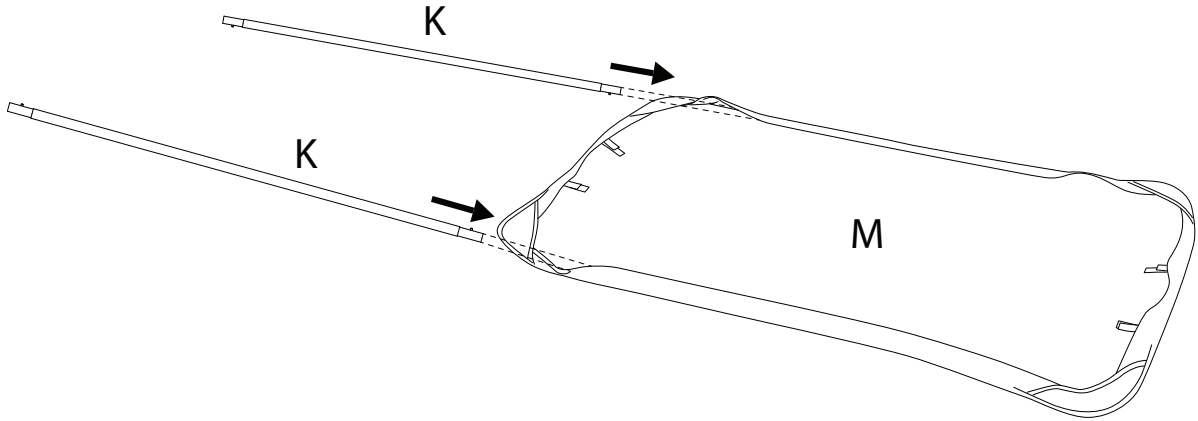
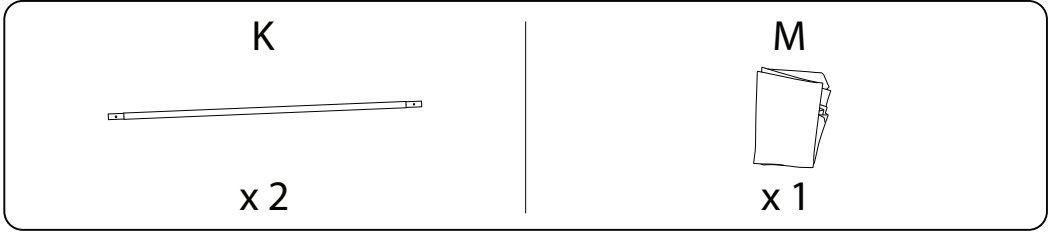


4

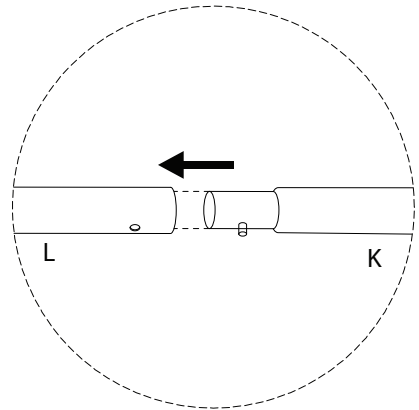
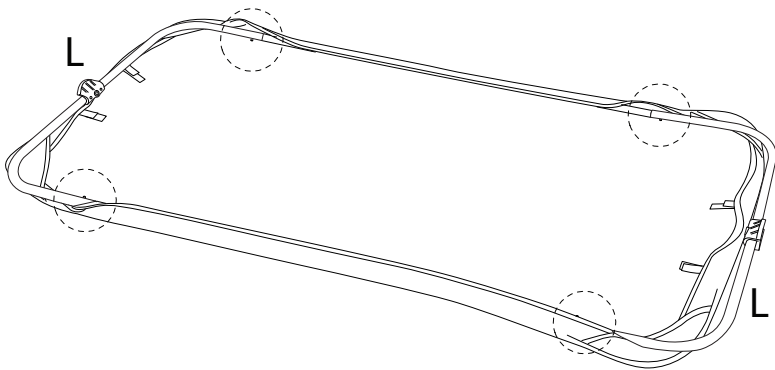
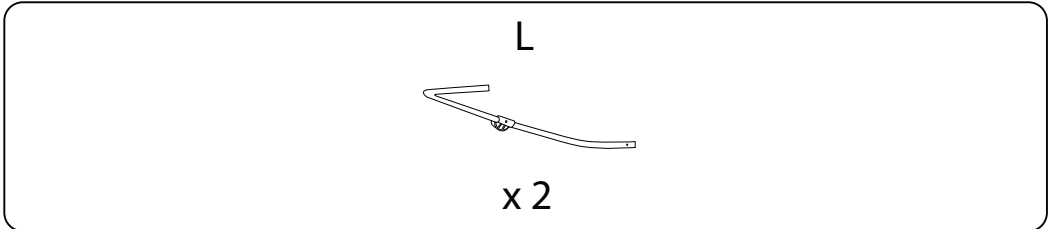
1	2	5	12	13
				
x 4	x 4	x 8	x 1	x 1



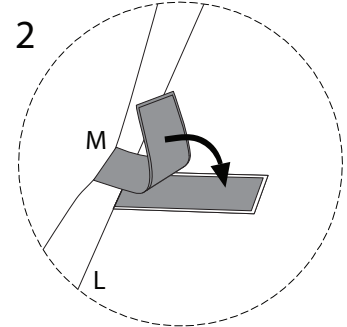
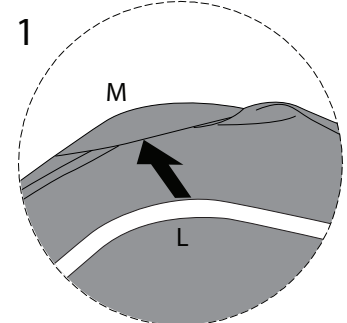
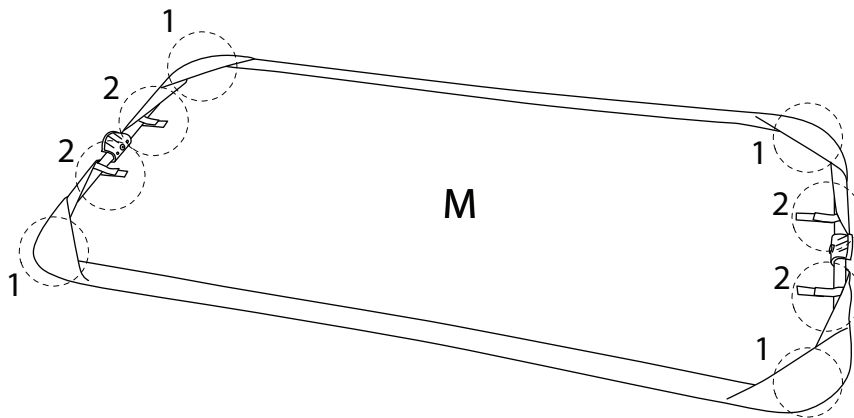
5 x 2



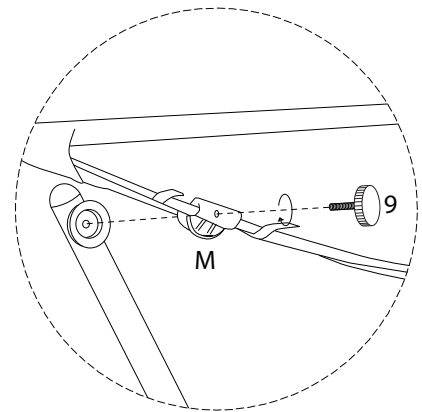
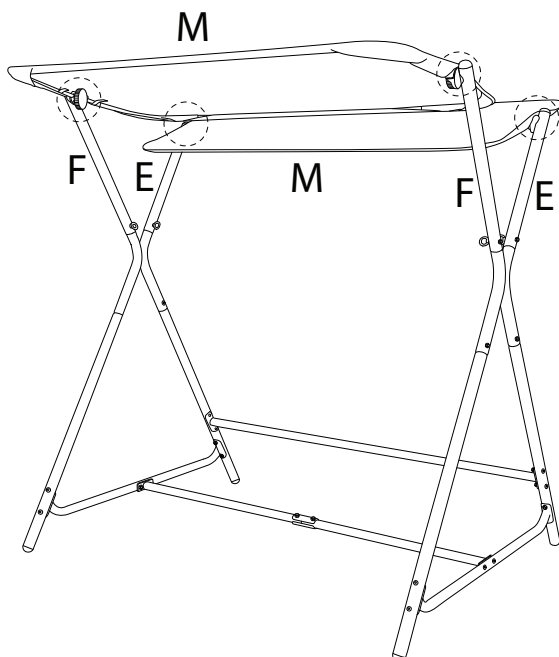
6 x 2



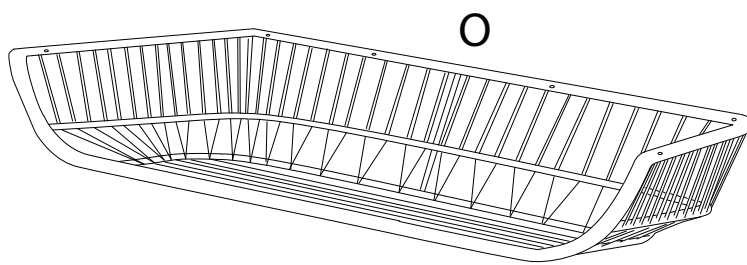
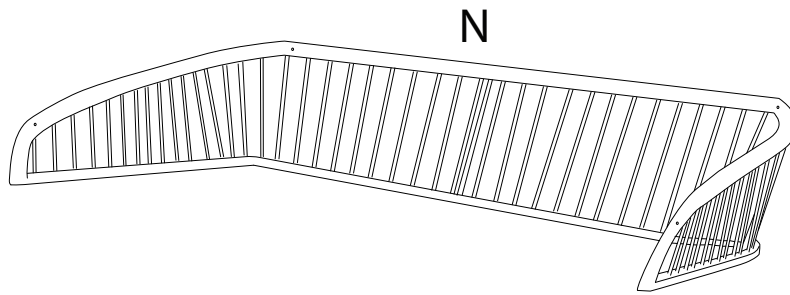
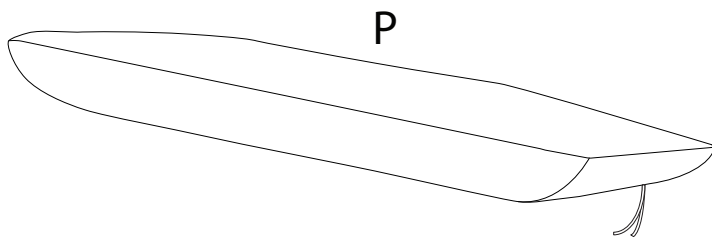
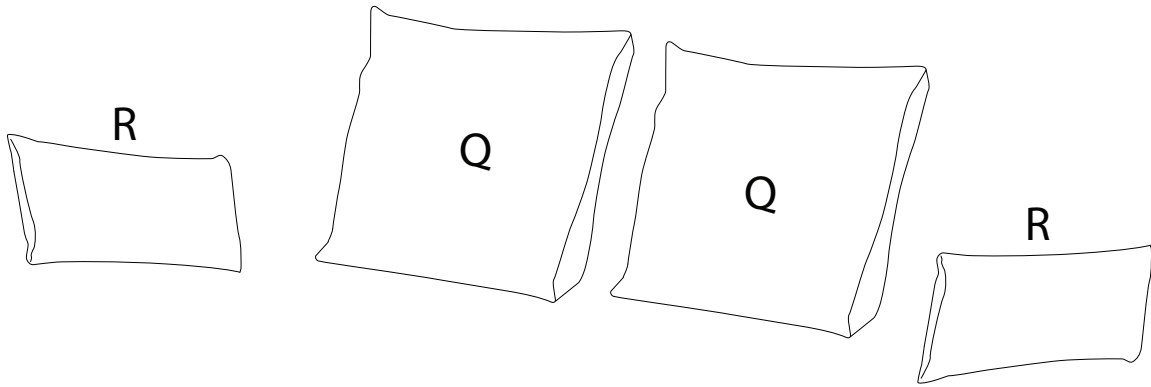
7 x 2


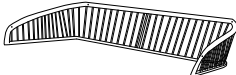
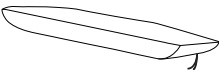
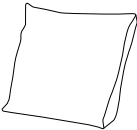



8



A



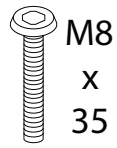
N	O	P	Q	R
				
x 1	x 1	x 1	x 2	x 2

3



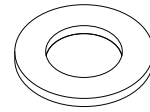
x 6

4



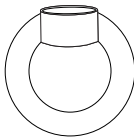
x 4

6



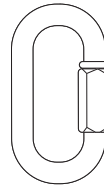
x 6

7



x 4

8



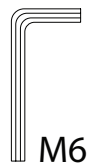
x 8

10



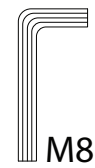
x 4

11



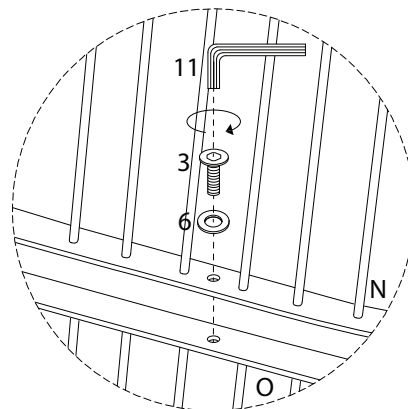
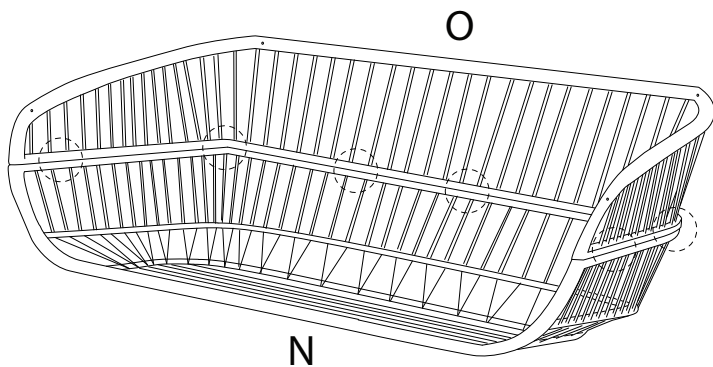
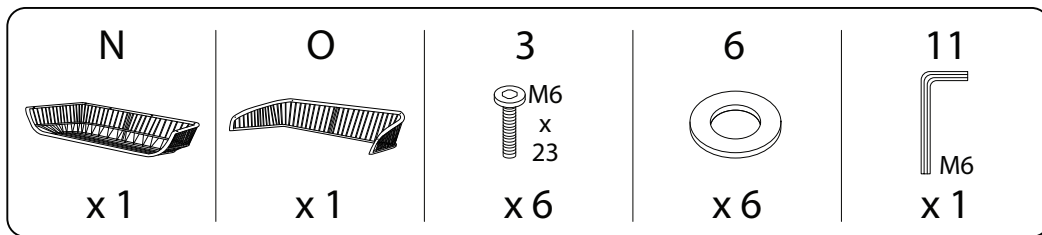
x 1

12

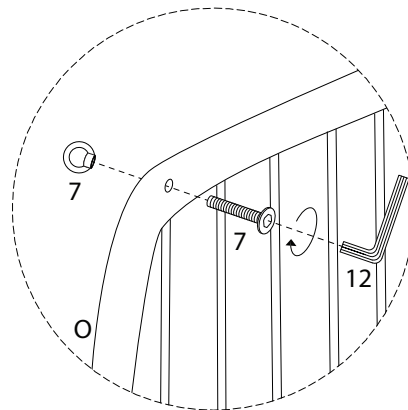
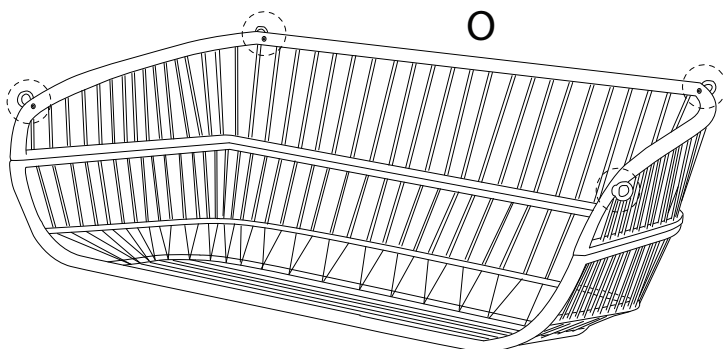
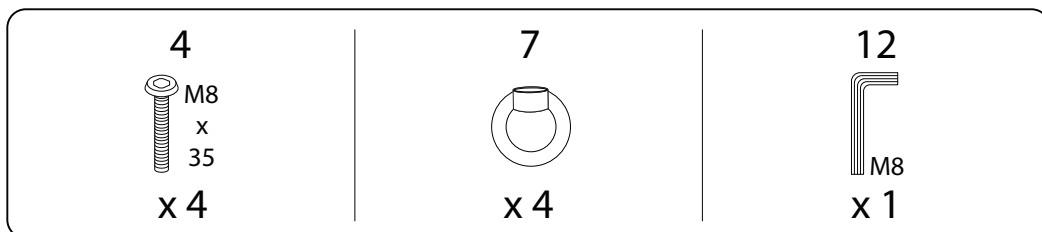


x 1

1



2



3 x 4

8

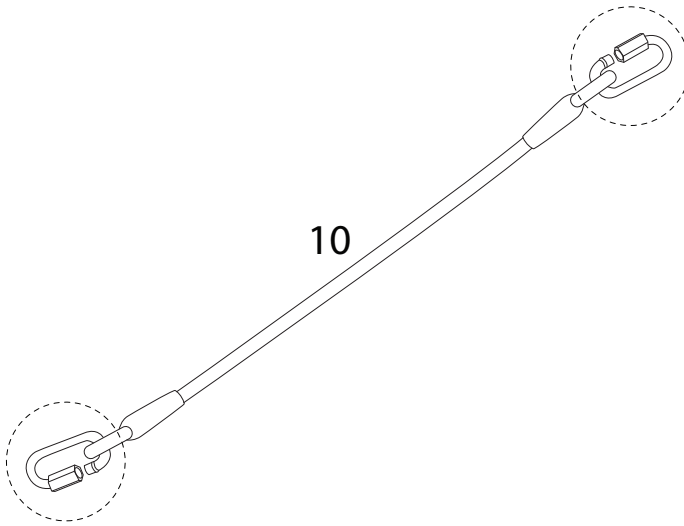


x 2

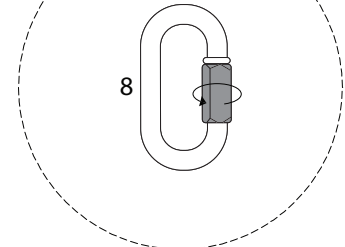
10



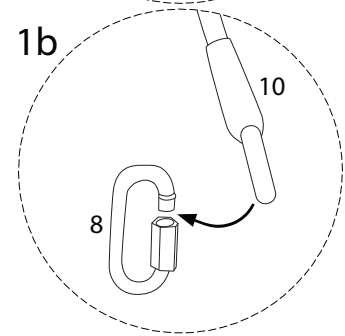
x 1



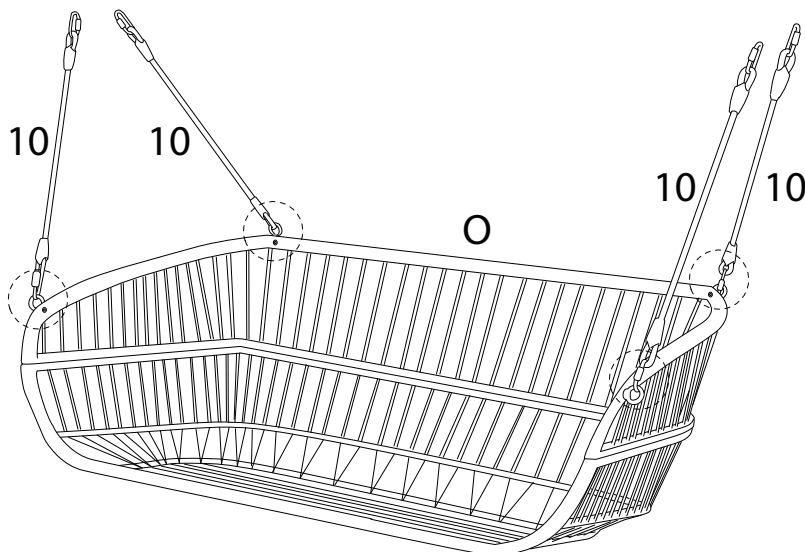
1a



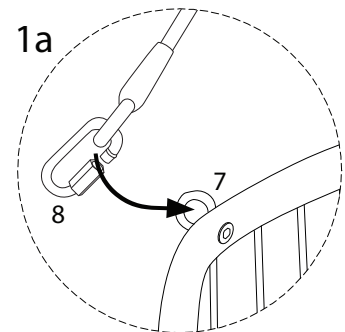
1b



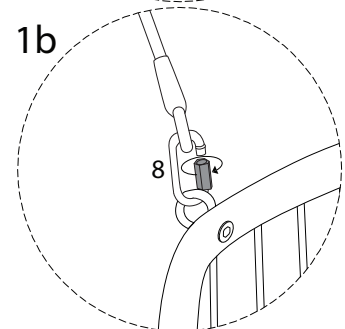
4



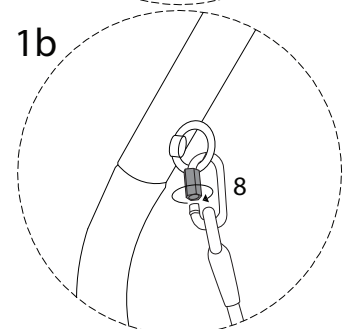
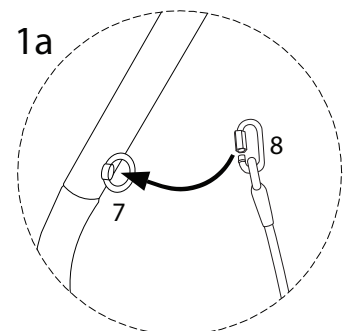
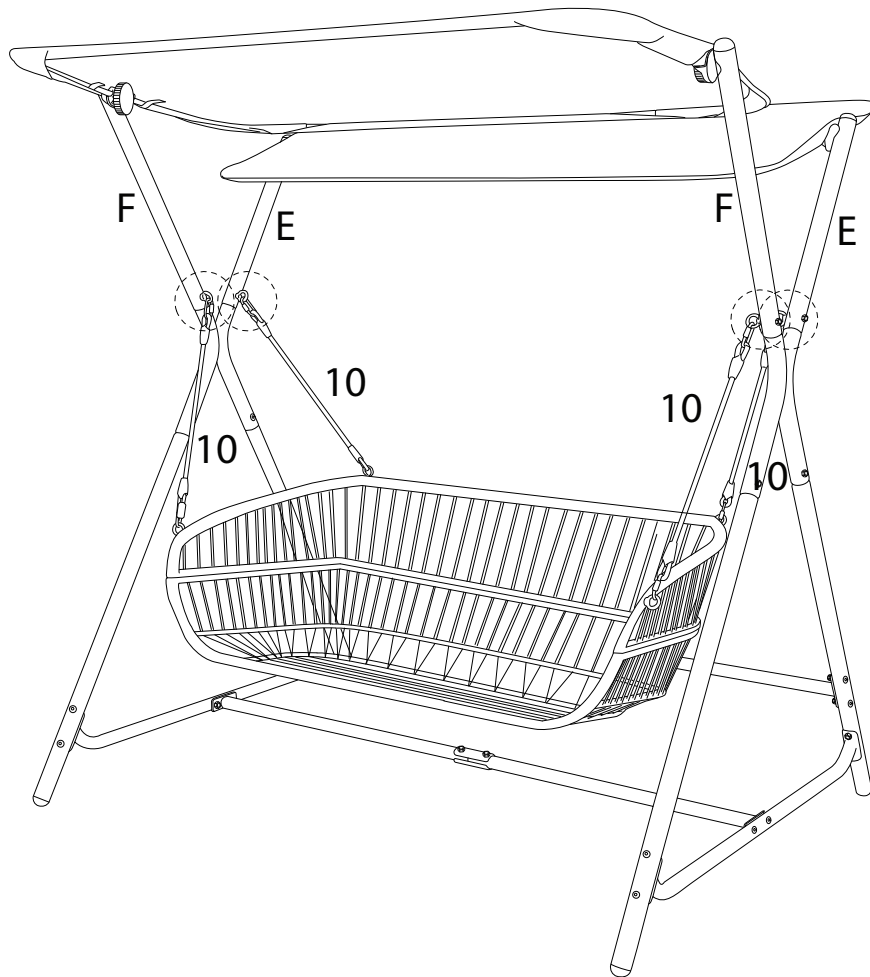
1a



1b

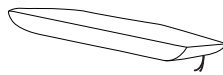


!

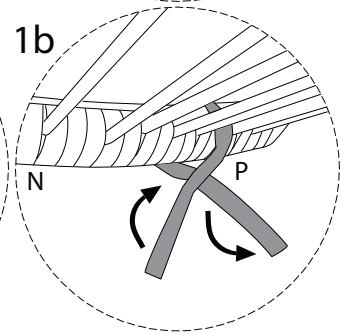
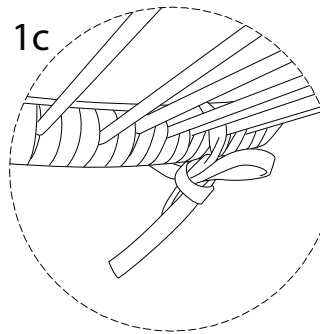
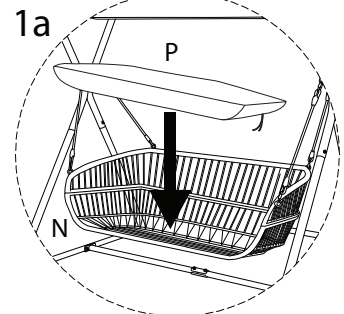


5

P



x 1



6

Q

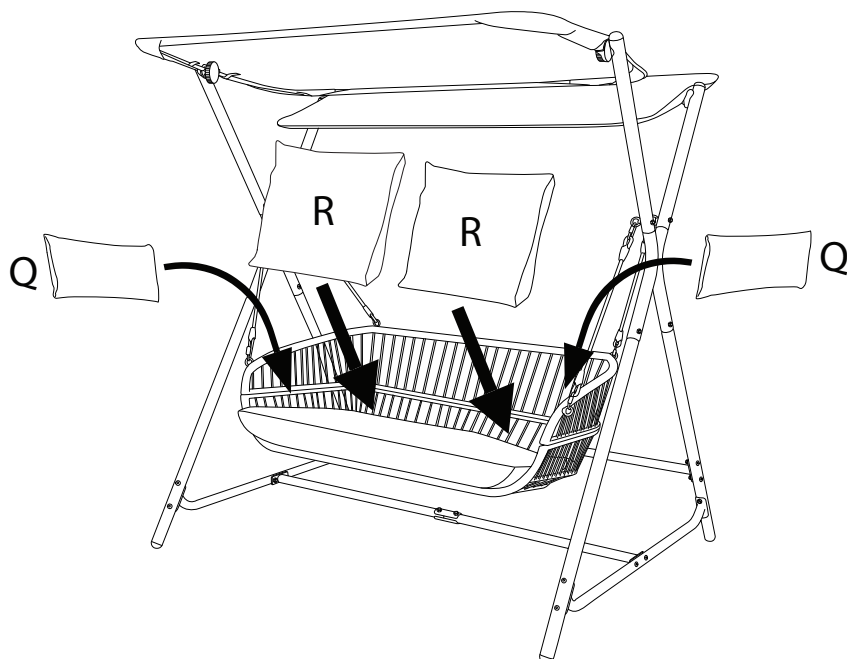


x 2

R



x 2



!

