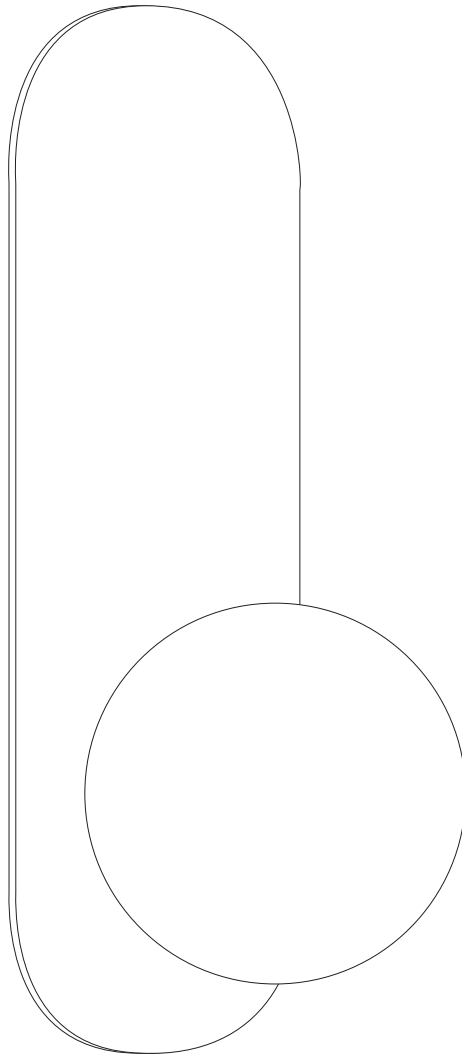
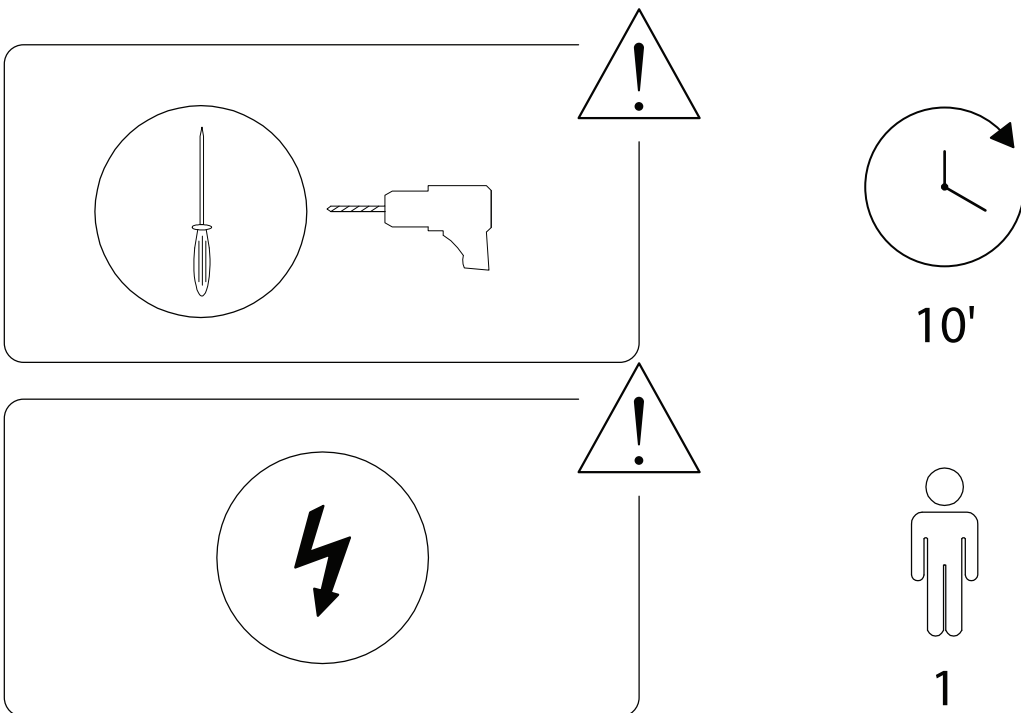
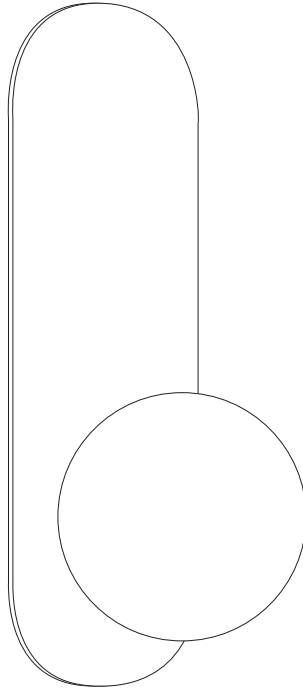
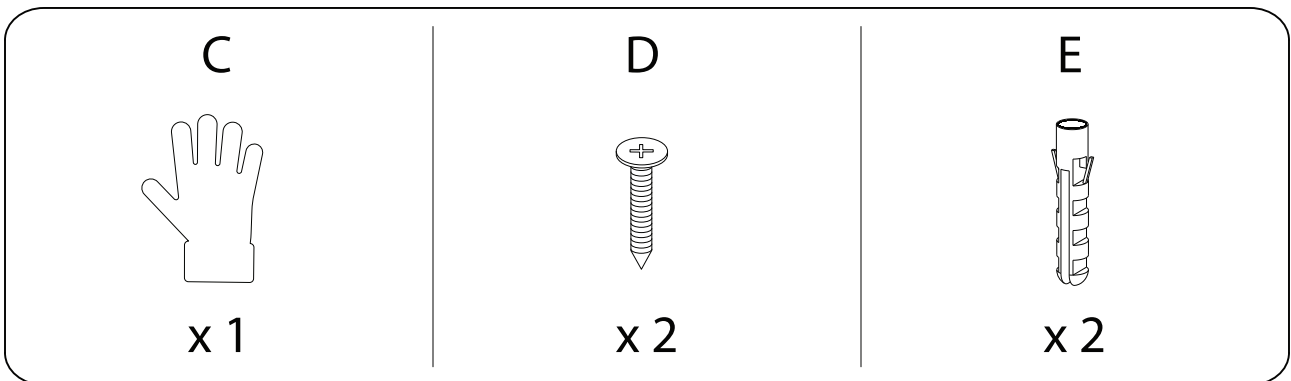
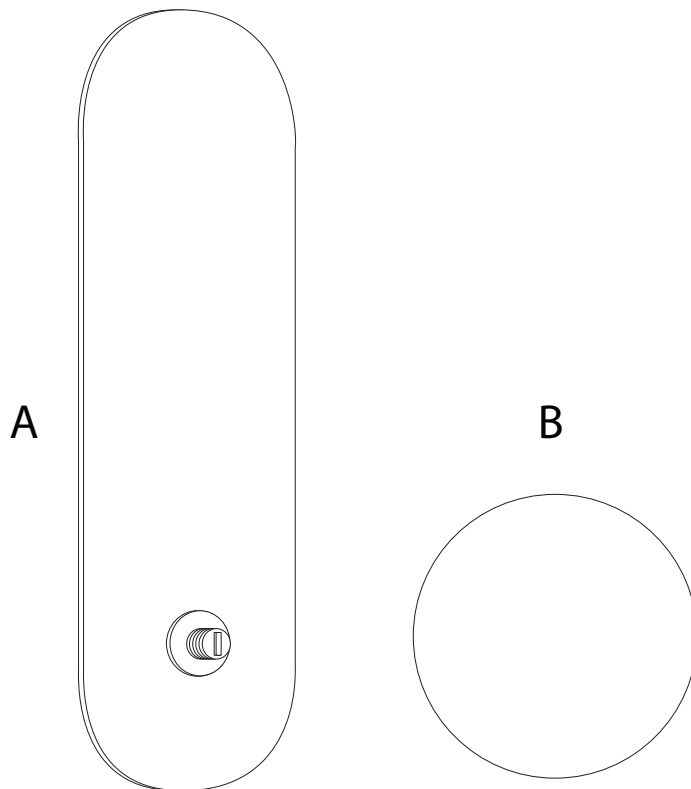
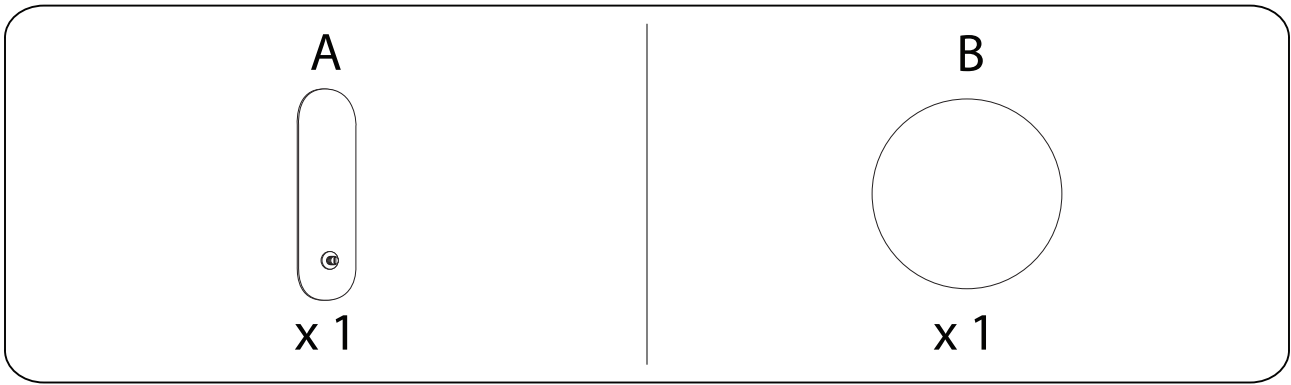


LEISI



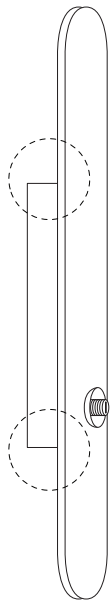


1/4



1

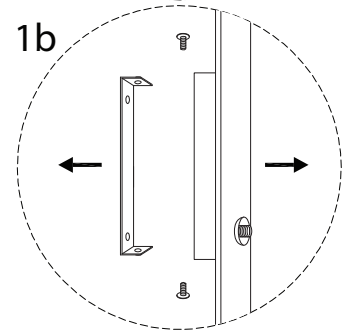
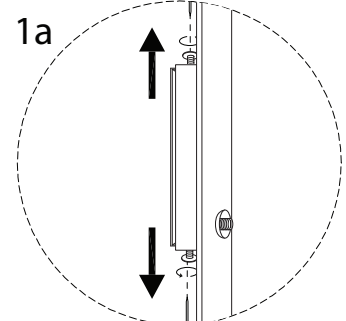
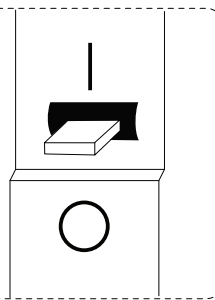
A
x 1



A



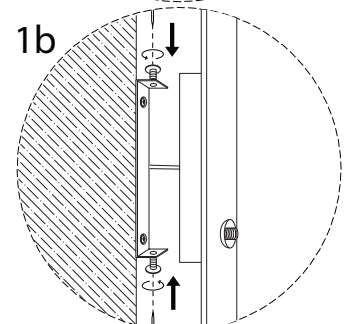
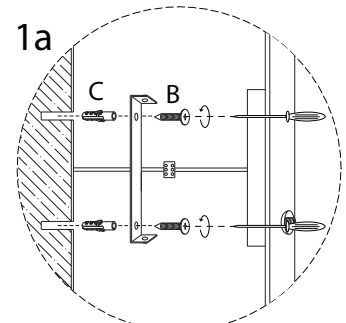
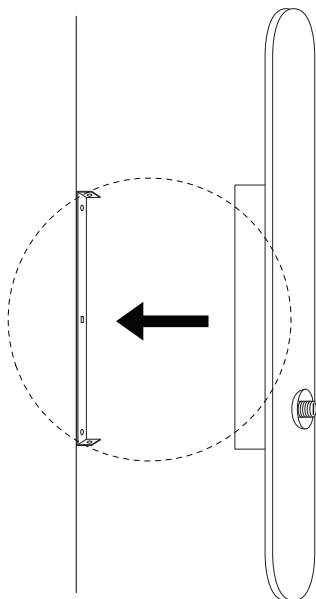
OFF



2

D
x 2

E
x 2



3

