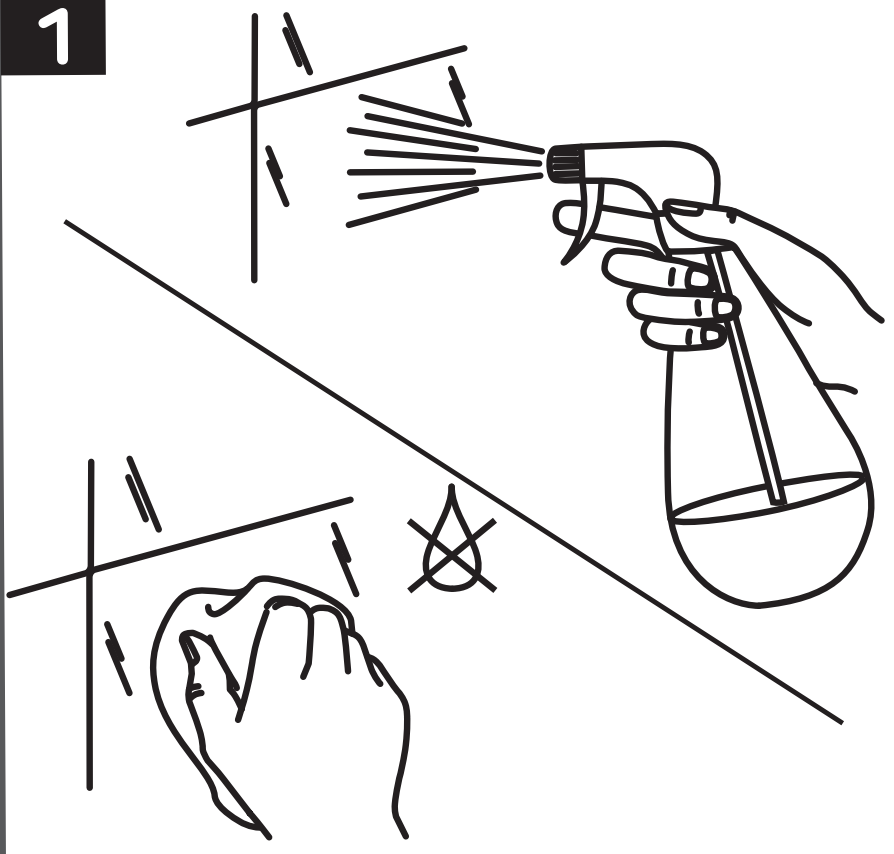
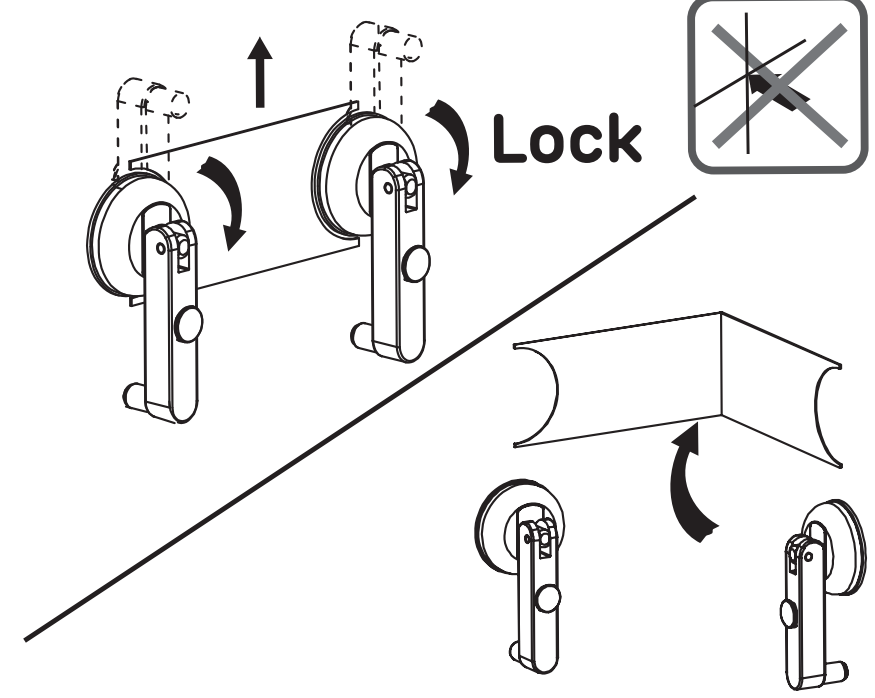


1

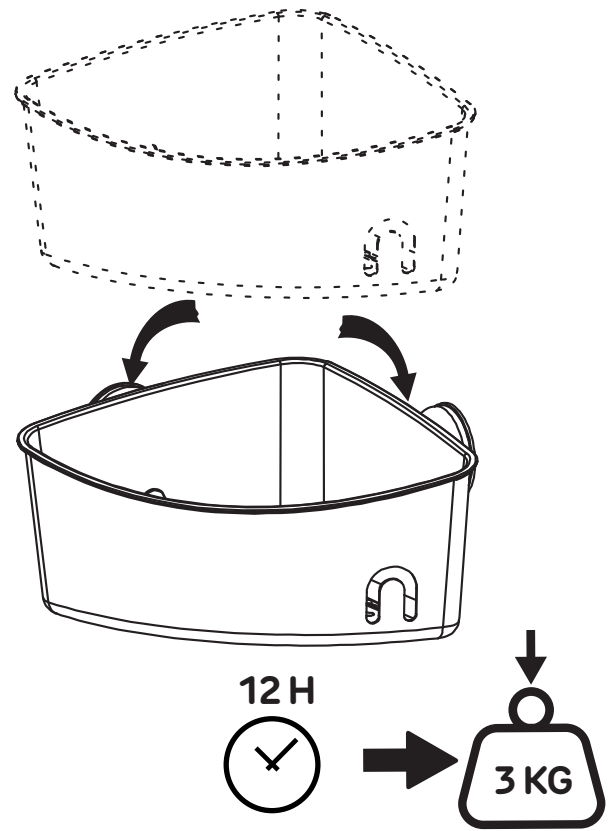


2

remove position paper



3



Repeat Step 1

