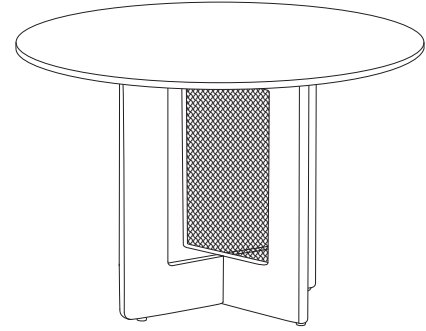
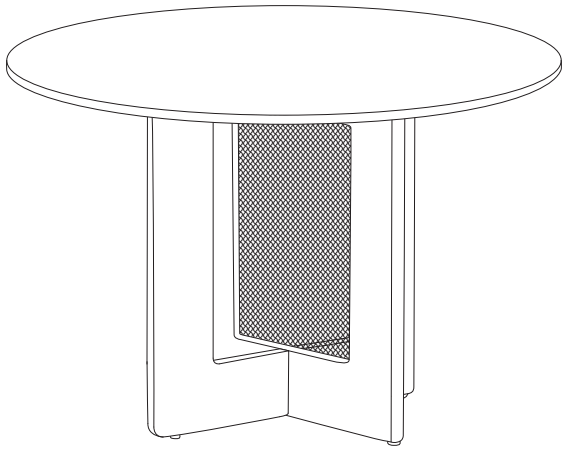


KARLO



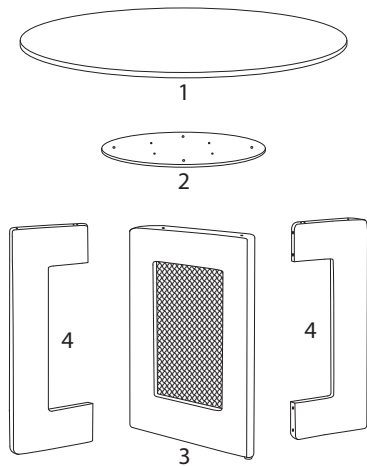
40'

2

1/5

2302/KARLO/081025/

1	2	3	4	5
x 1	x 1	x 1	x 2	x 1



1

x 2

E

x 4

A	B	C	D	E	F
x 12	x 20	x 4	x 1	x 8	x 8

2

x 1

5

x 1

B

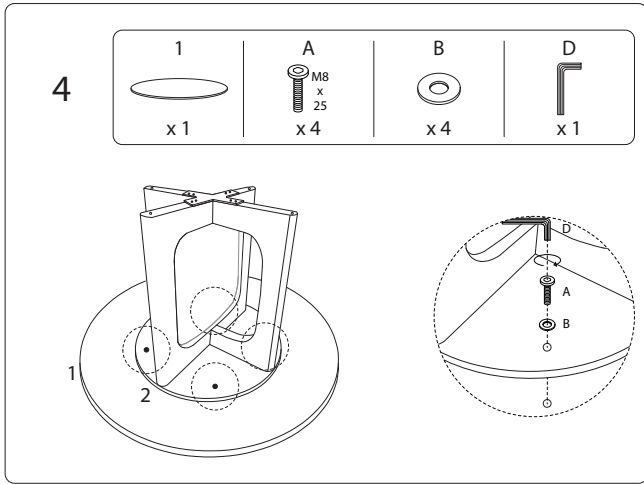
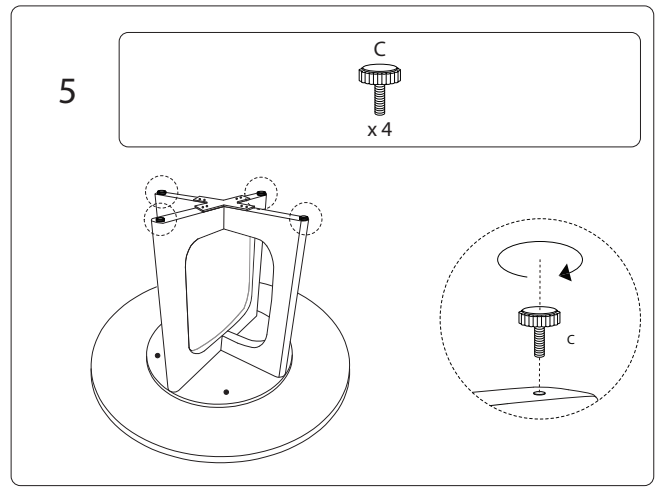
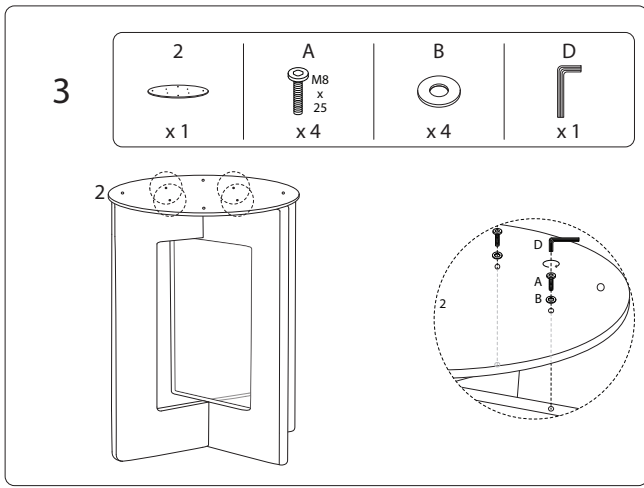
x 8

D

x 1

F

x 8



4/5

2302/KARLO/081025/

5/5

2302/KARLO/081025/