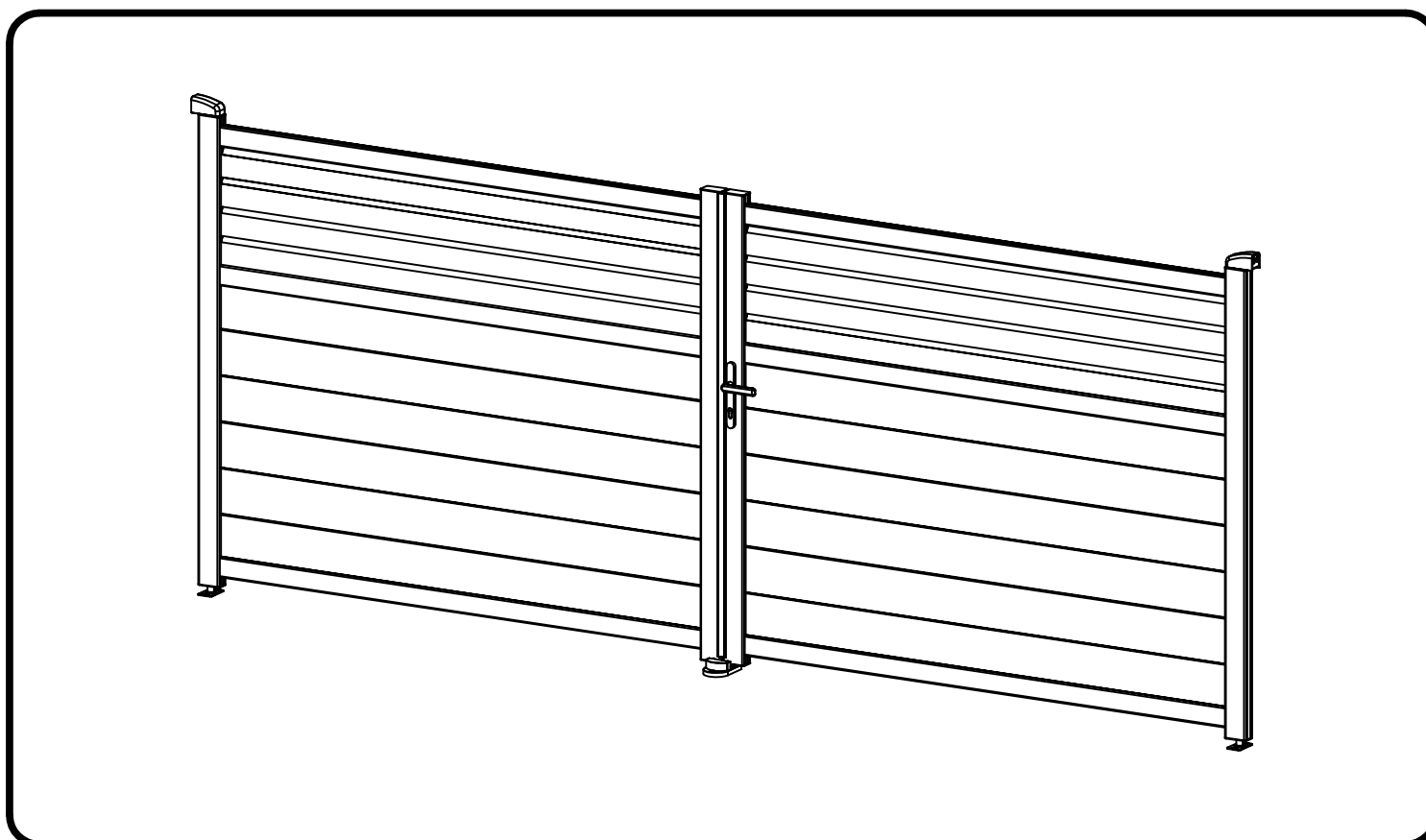


CASANOVO

CARPATIA 350B160



7-8H



x2

COM-000107

[x1]

COM-000108

[x1]

COM-000109

[x1]

FR

EN

ES

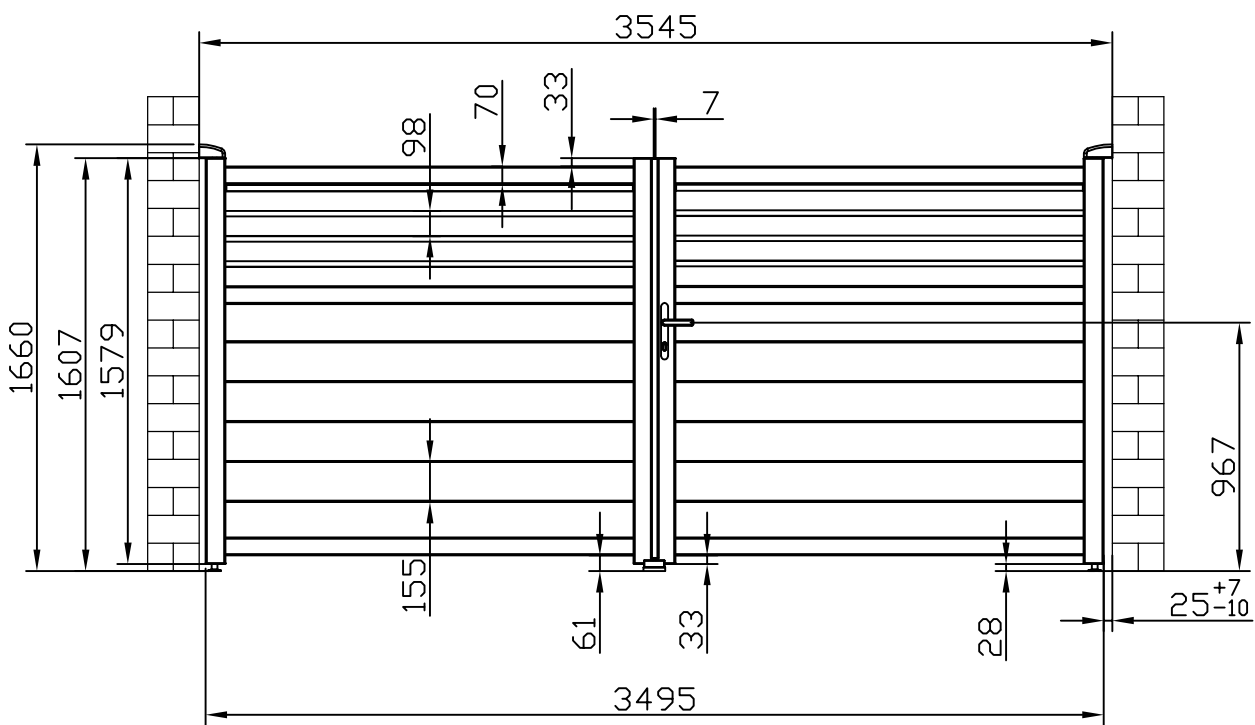
DE

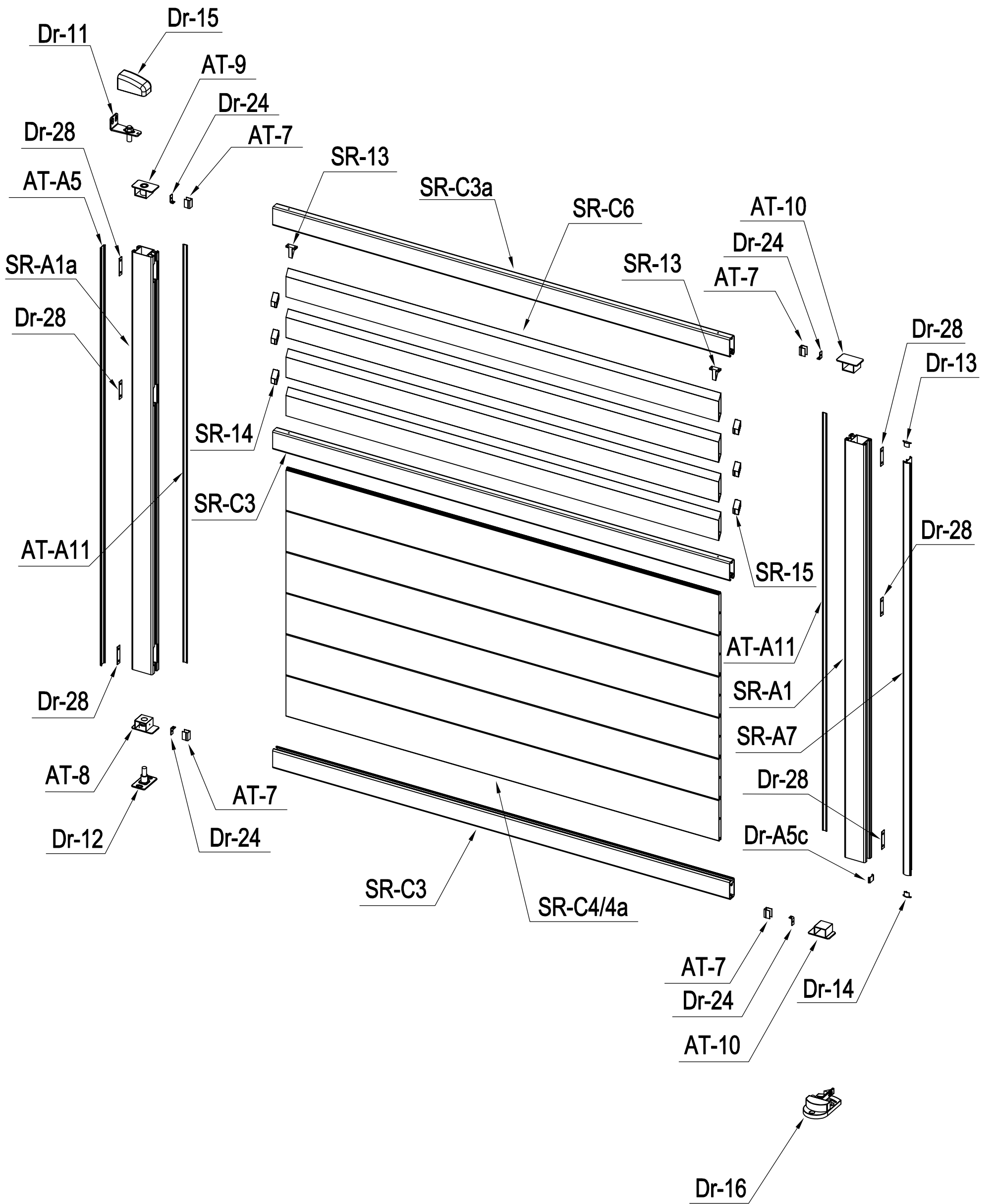
IT

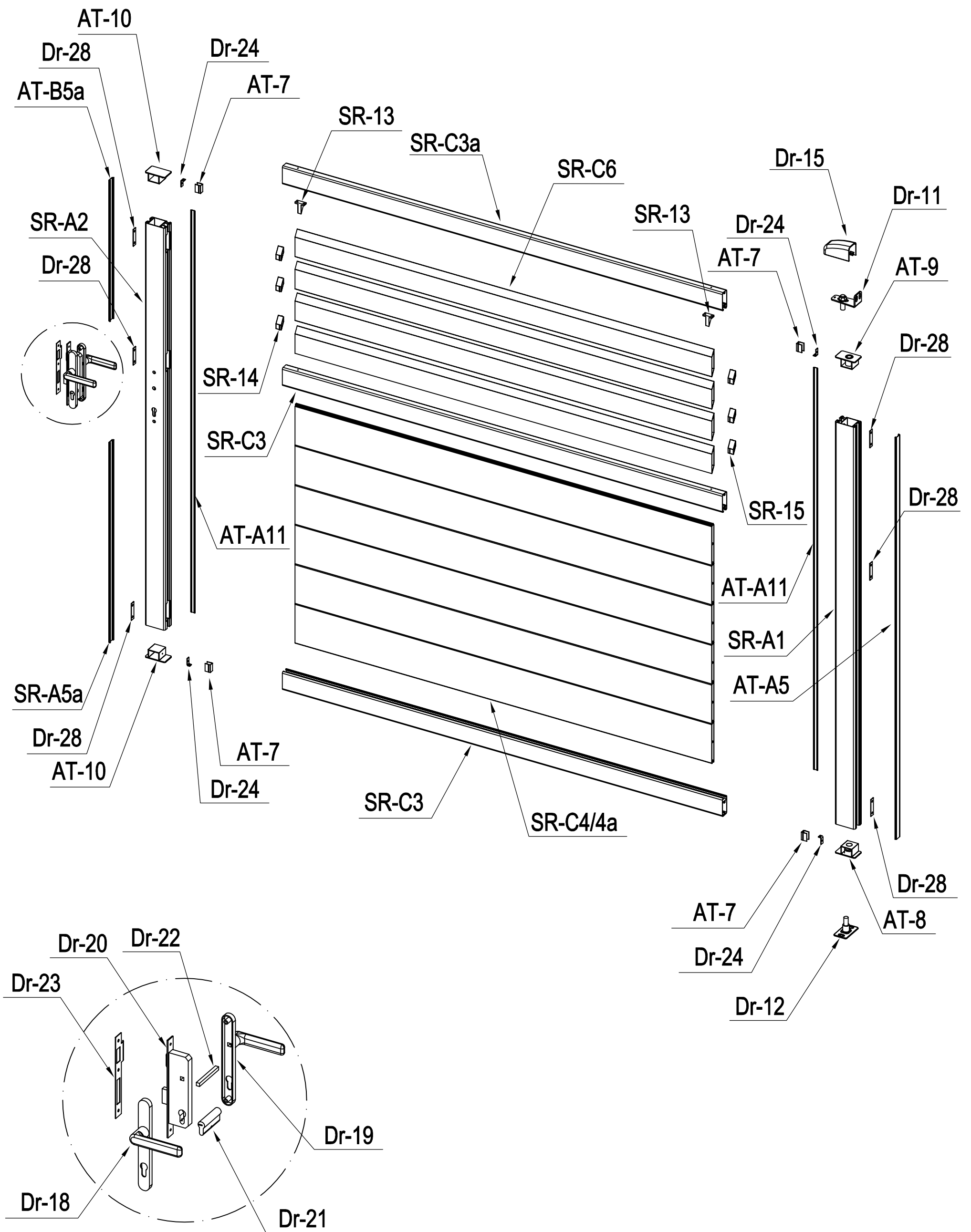
NL

PL

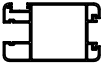

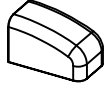
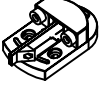
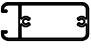


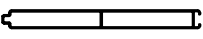
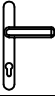
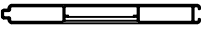
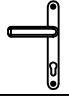
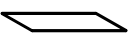

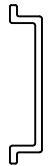
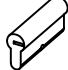



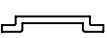





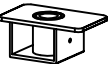








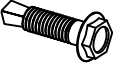


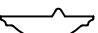







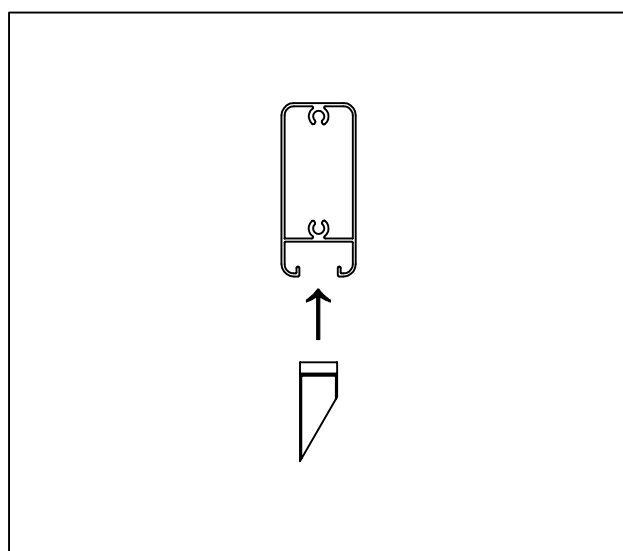
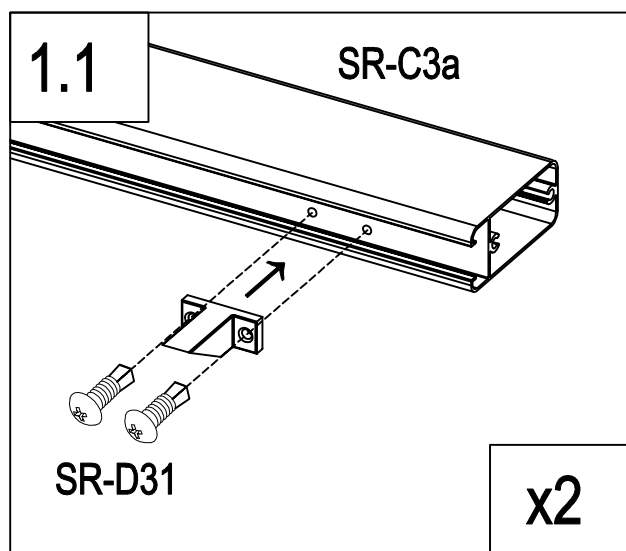
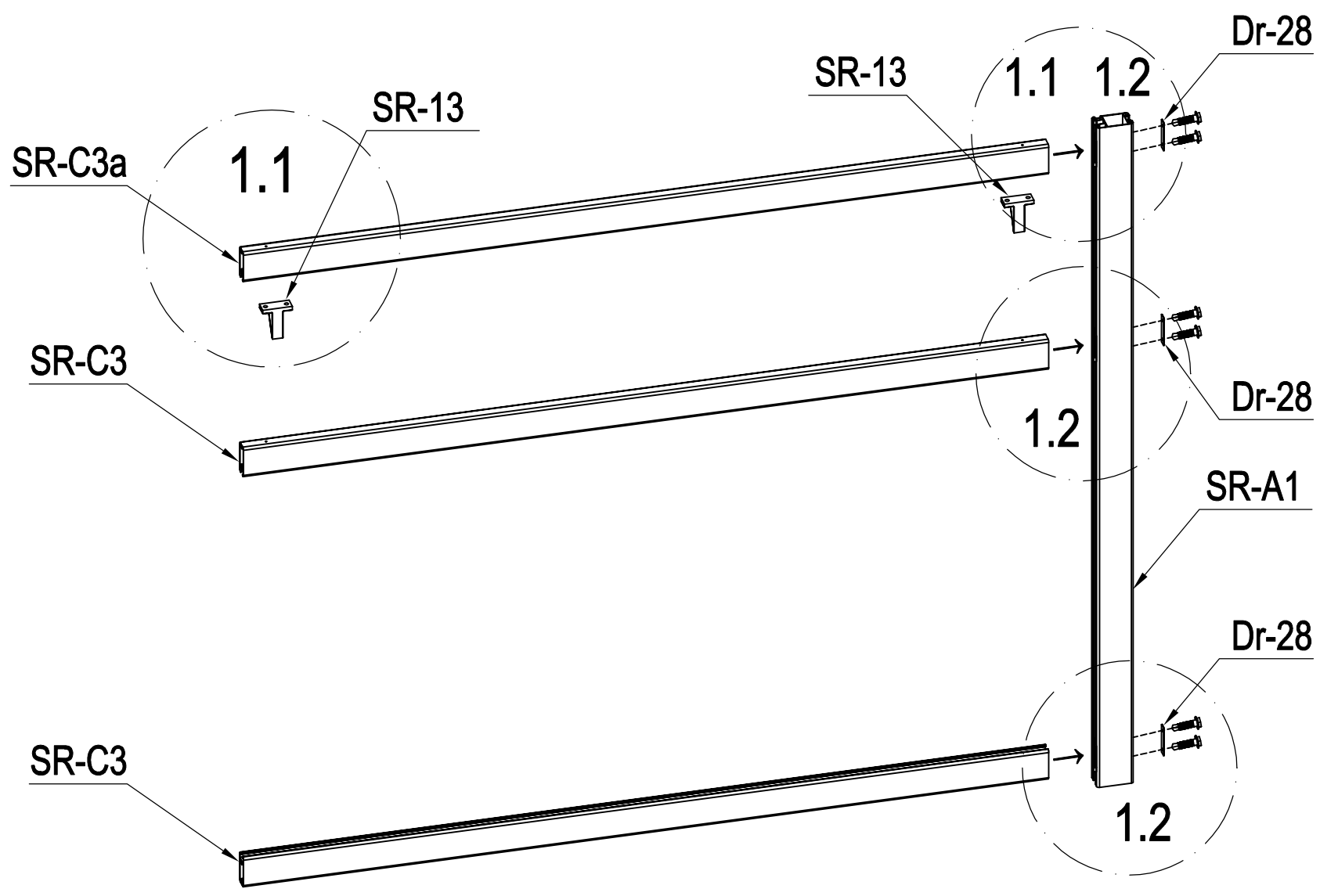




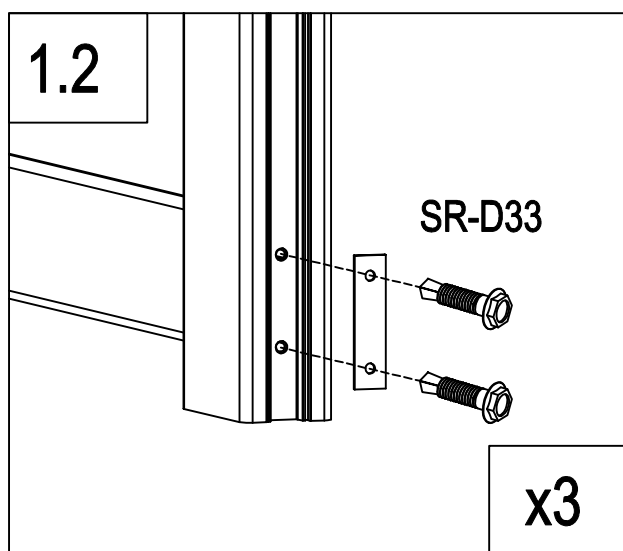


PART LIST

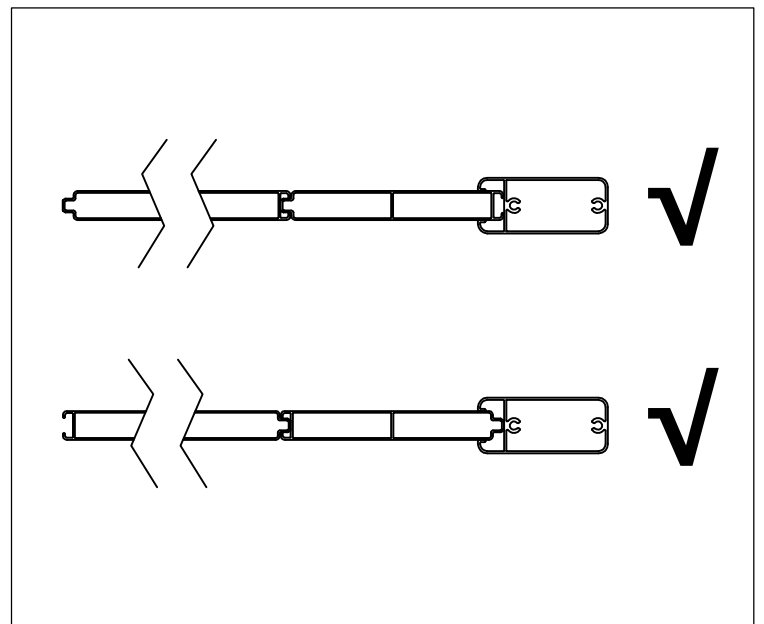
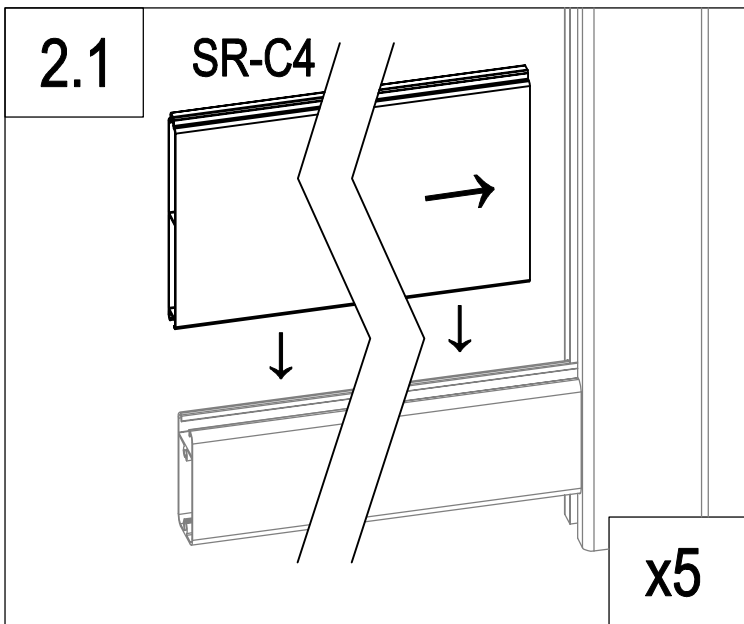
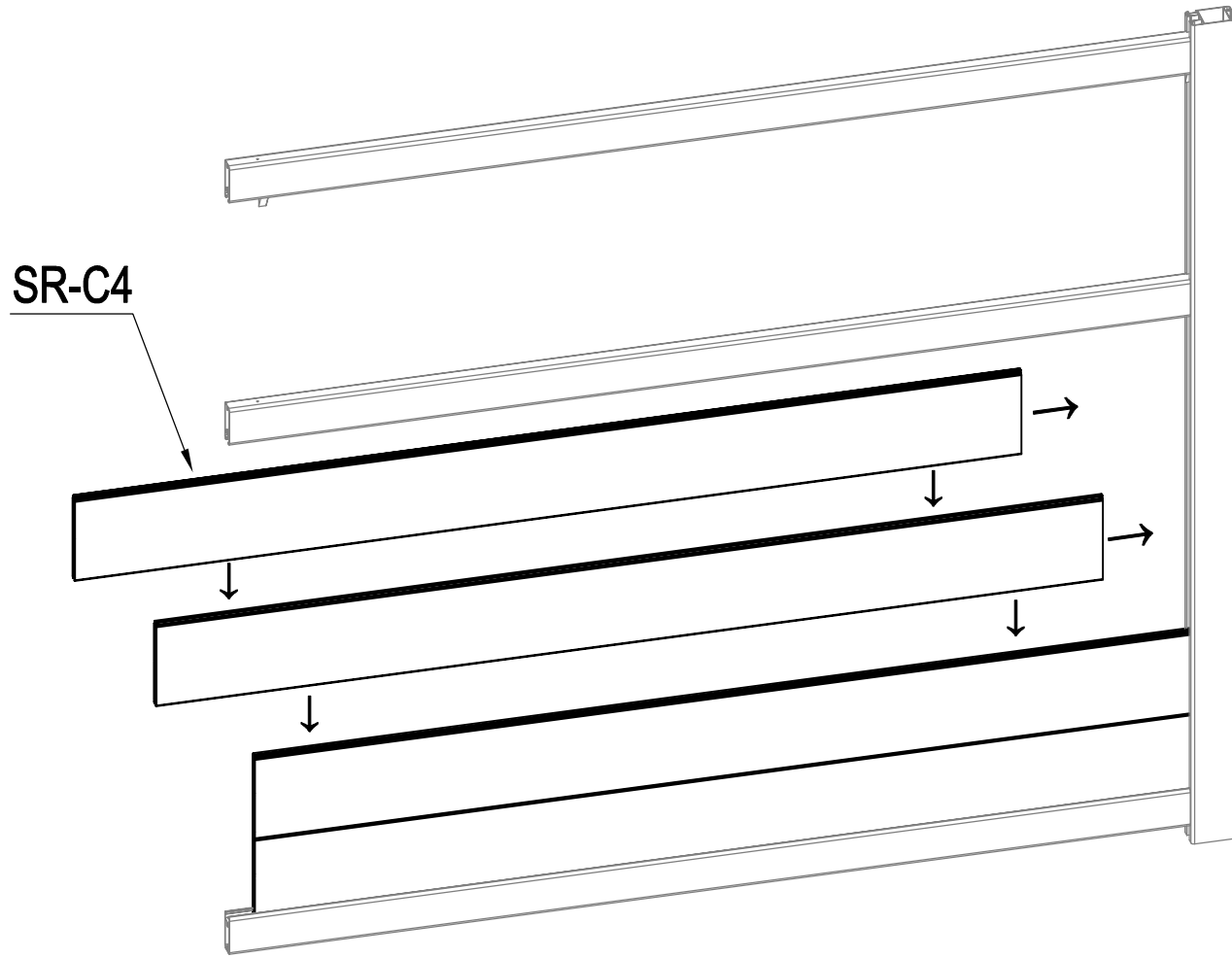
IMAGE	NO.	L.(mm)	QTY	IMAGE	NO.	L.(mm)	QTY
	SR-A1	1573	2		SR-15		6
	SR-A1a	1573	1		Dr-15		2
	SR-A2	1573	1		Dr-16		1
	SR-C3	1721	4		Dr-17		2
	SR-C3a	1721	2		Dr-31		4
	SR-C4	1630	10		Dr-18		1
	SR-C4a (+SR-C15)	1630	2		Dr-19		1
	SR-C6	1630	8		Dr-20		1
	AT-A5	1573	2		Dr-21		1
	AT-B5a	550.5	1		Dr-22		1
	SR-A5a	782	1		Dr-23		1
	Dr-A5c	19.5	1		Dr-24		8
	AT-A11	1573	4		Dr-25		1
	AT-7	29.5	8		Dr-25a		2
	SR-A7	1553	1		Dr-26		3
	AT-8		2		Dr-27		2
	AT-9		2		SR-D30		8
	AT-10		4		SR-D31		16
	Dr-11		2		SR-D32		12
	Dr-12		2		SR-D33		24
	Dr-13		1		SR-D34		3
	Dr-14		1		SR-D35		3
	SR-13		4		SR-D36		64
	SR-14		6		DR-28		12

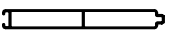


	SR-A1	1
	SR-C3	2
	SR-C3a	1
	SR-13	2

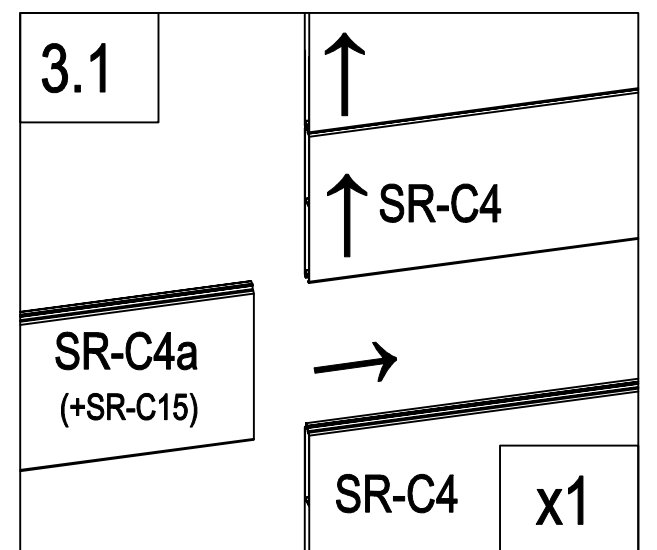
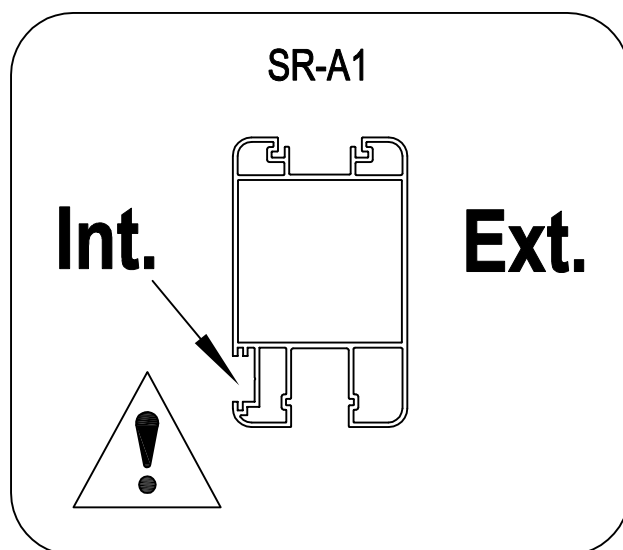
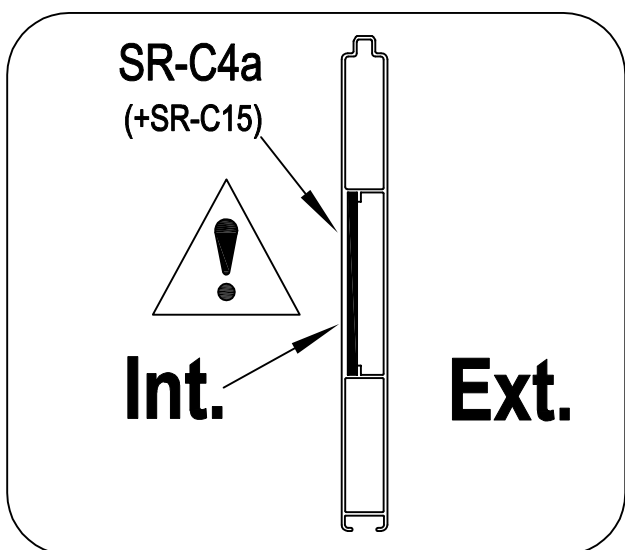
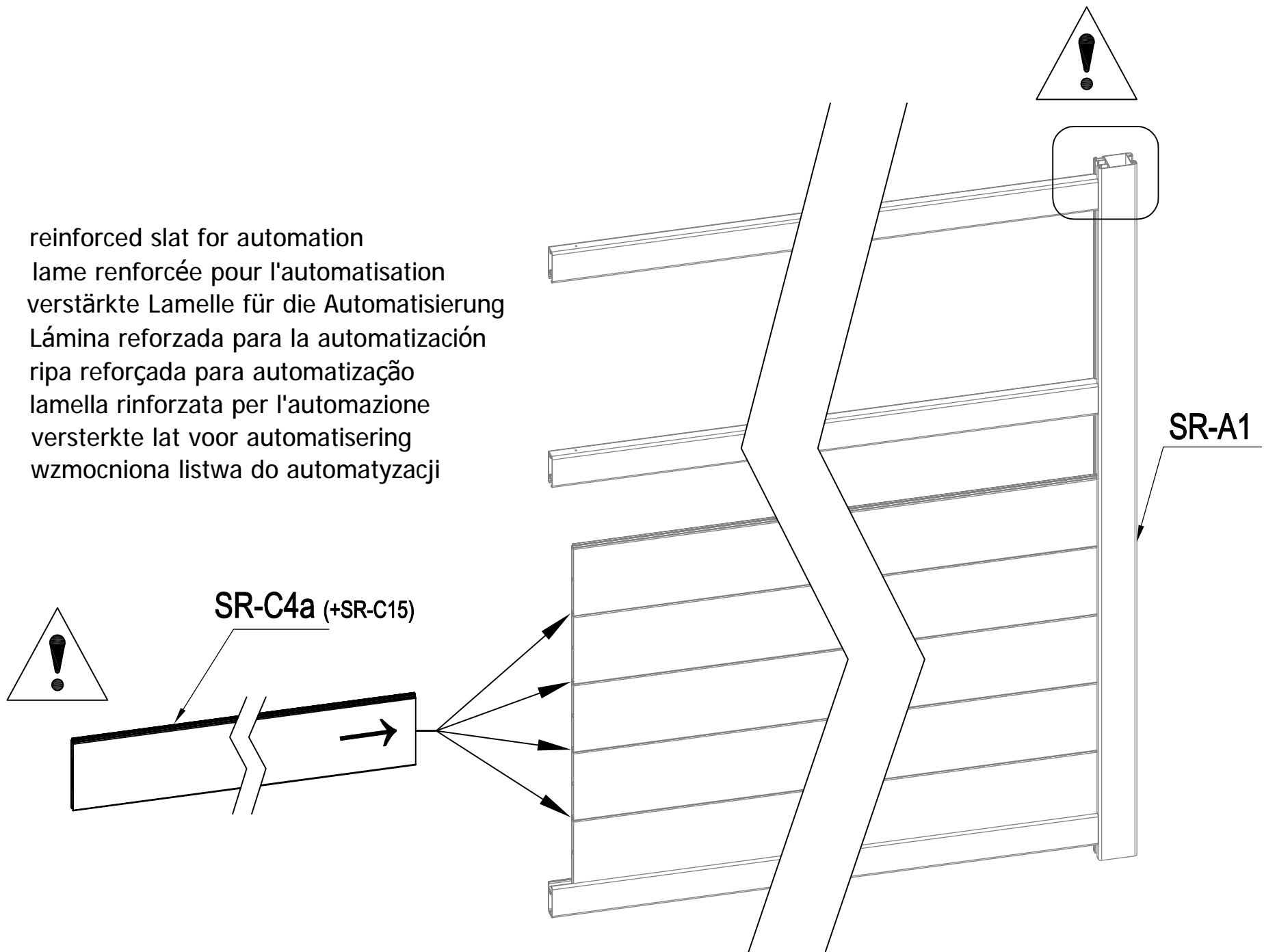



	Dr-28	3
	SR-D31	4
	SR-D33	6



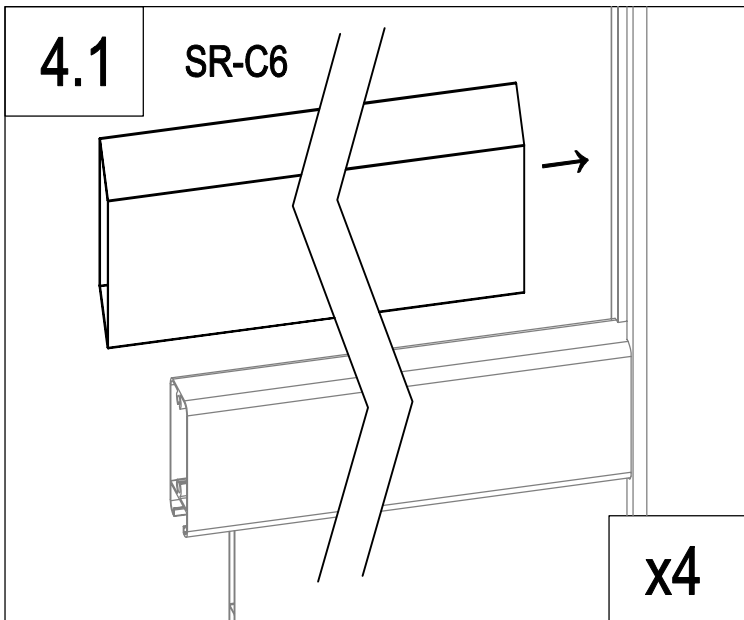
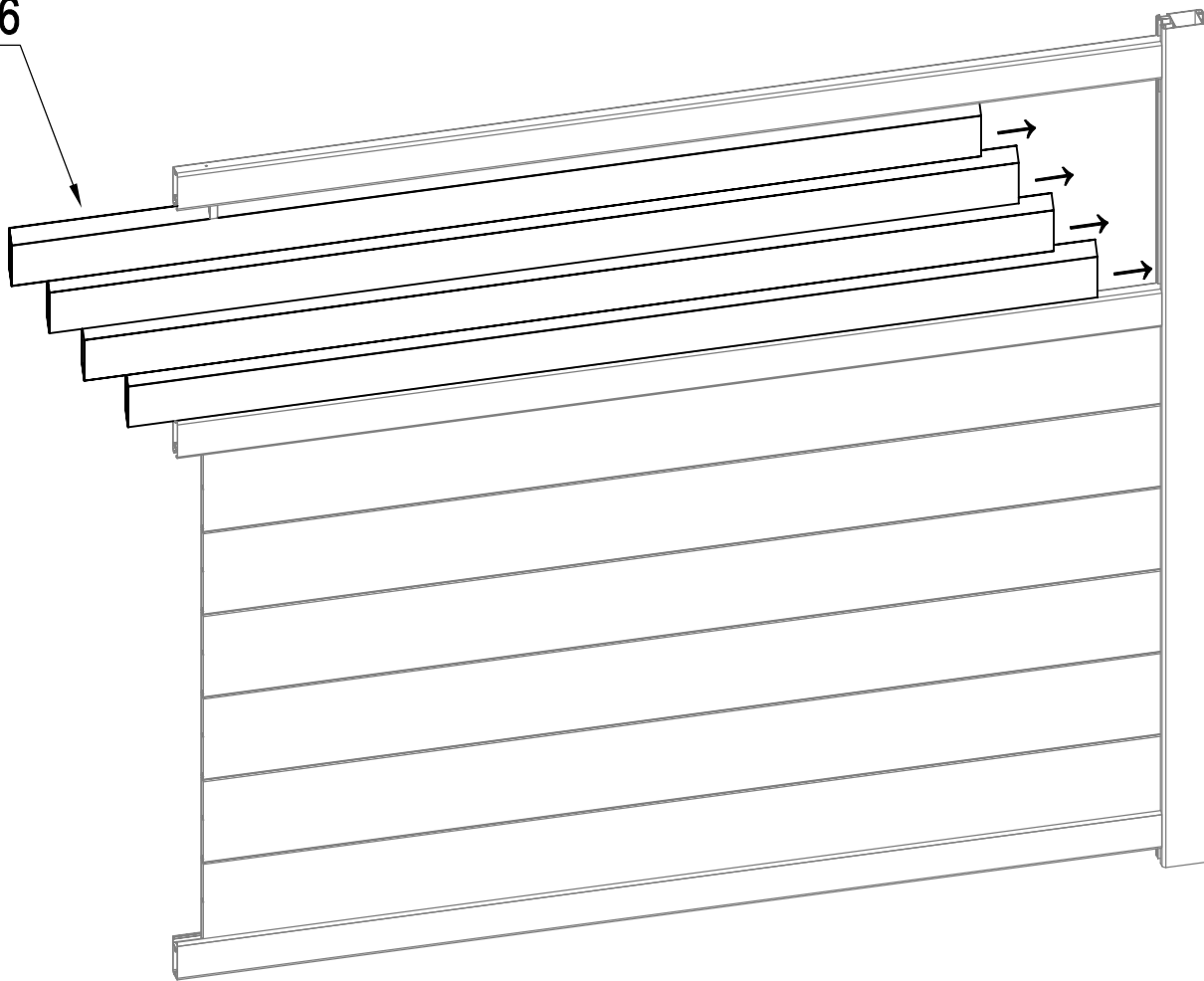
	SR-C4	5
---	-------	---

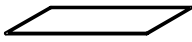
- EN: reinforced slat for automation
- FR: lame renforcée pour l'automatisation
- DE: verstärkte Lamelle für die Automatisierung
- ES: Lámina reforzada para la automatización
- PT: ripa reforçada para automatização
- IT: lamella rinforzata per l'automazione
- NL: versterkte lat voor automatisering
- PL: wzmocniona listwa do automatyzacji

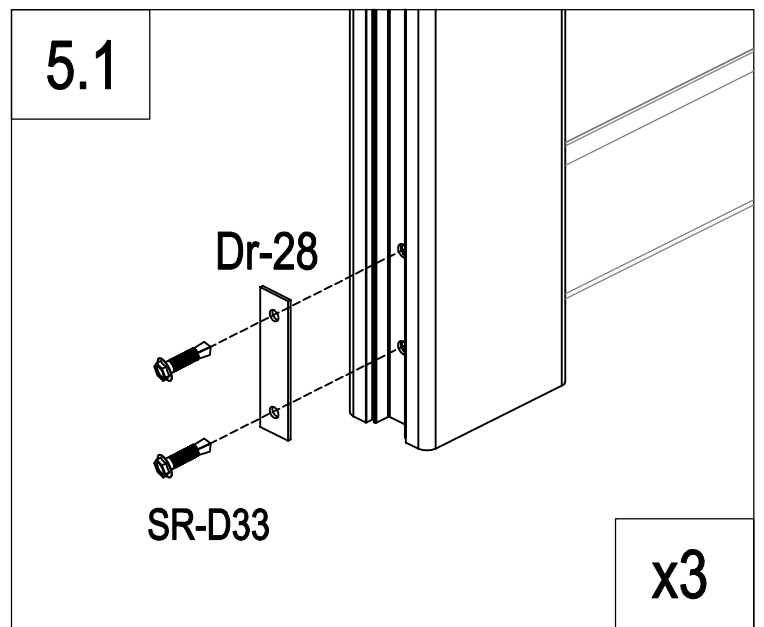
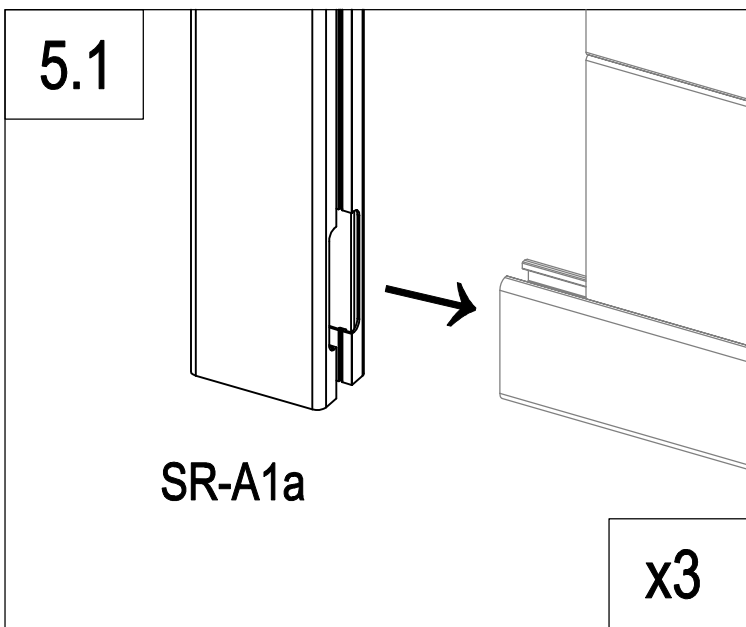
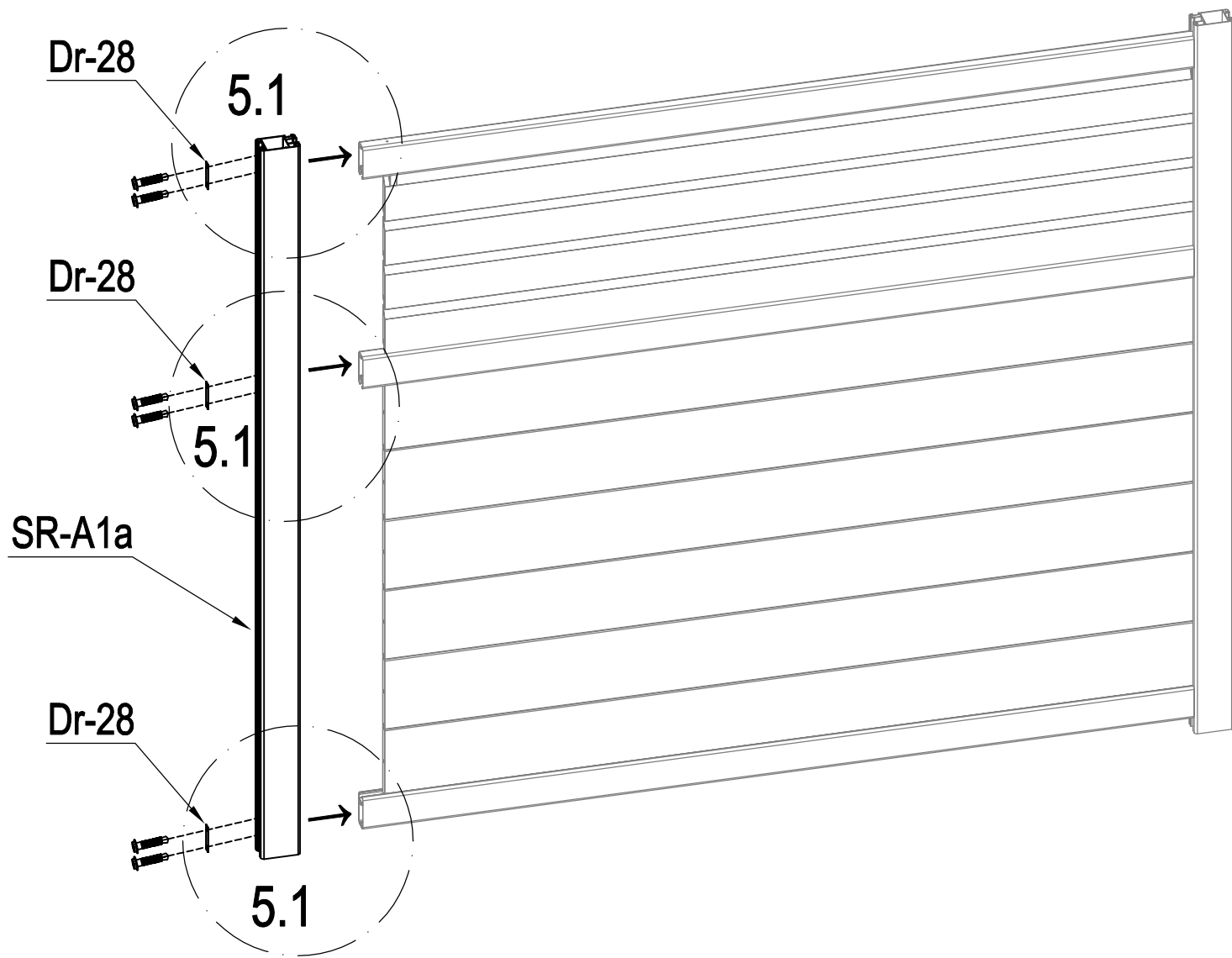


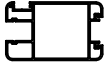


	SR-C4a (+SR-C15)	1
---	------------------	---

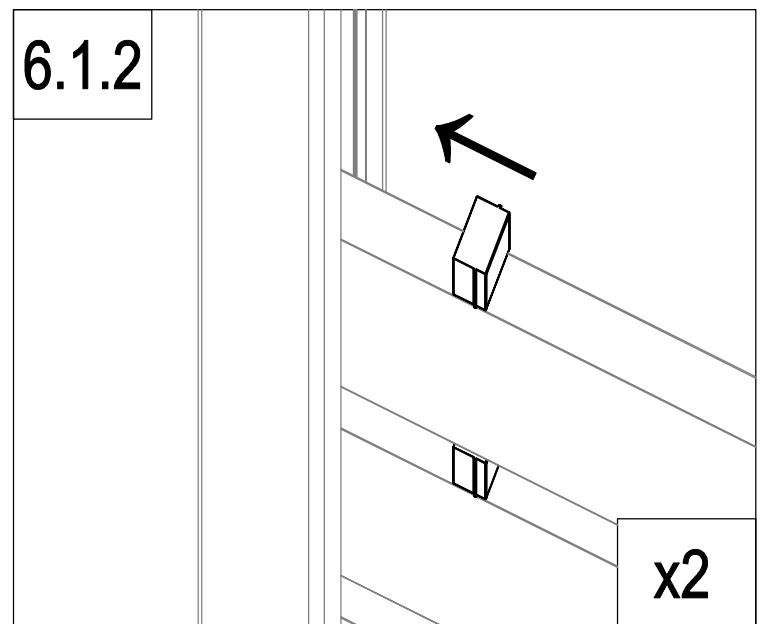
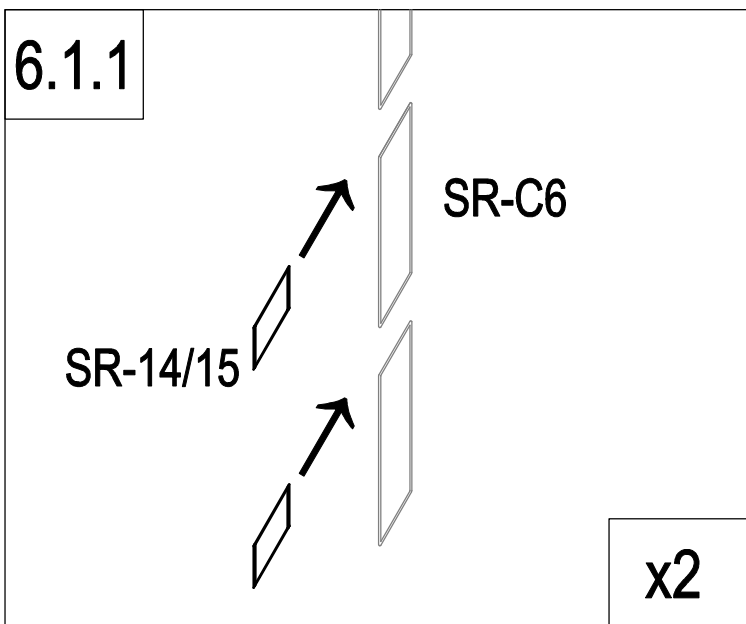
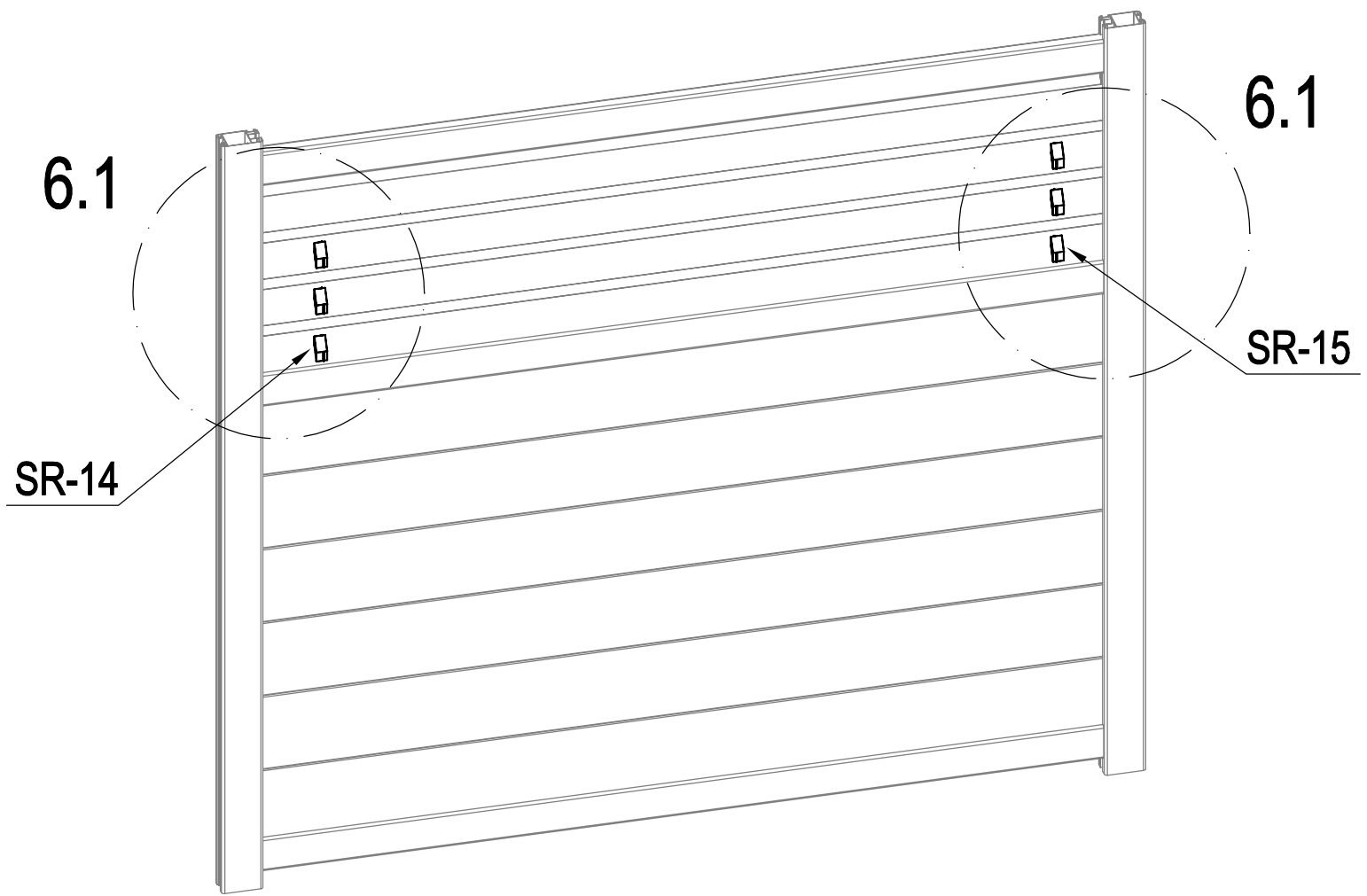
SR-C6


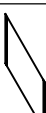


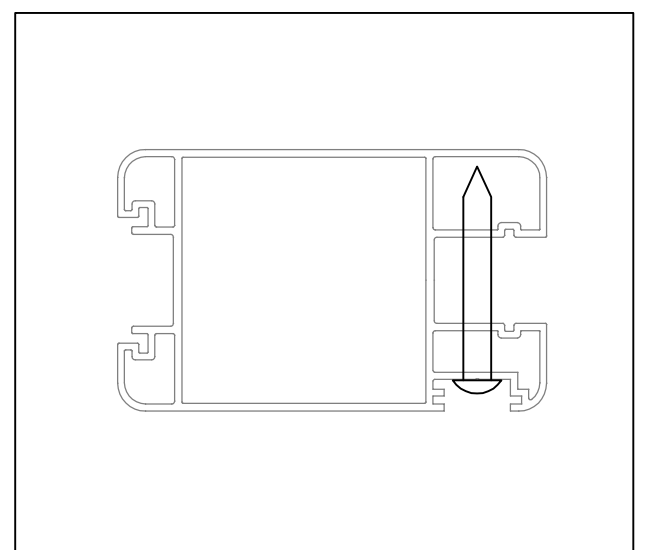
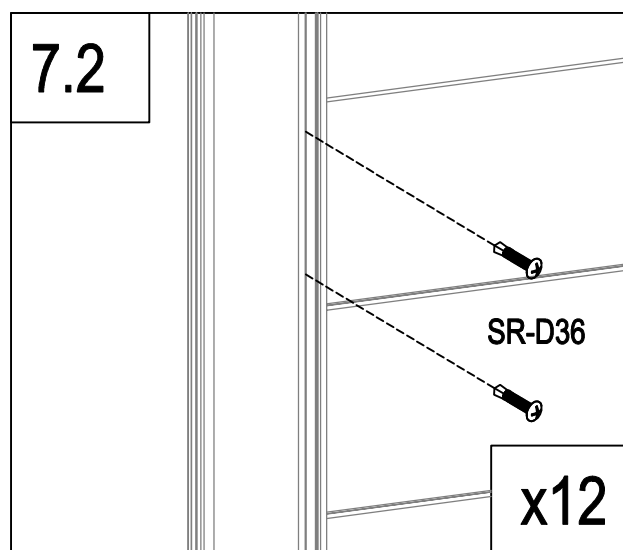
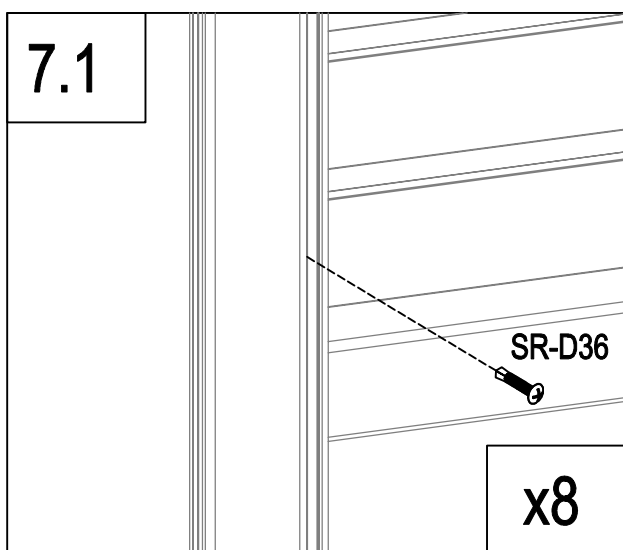
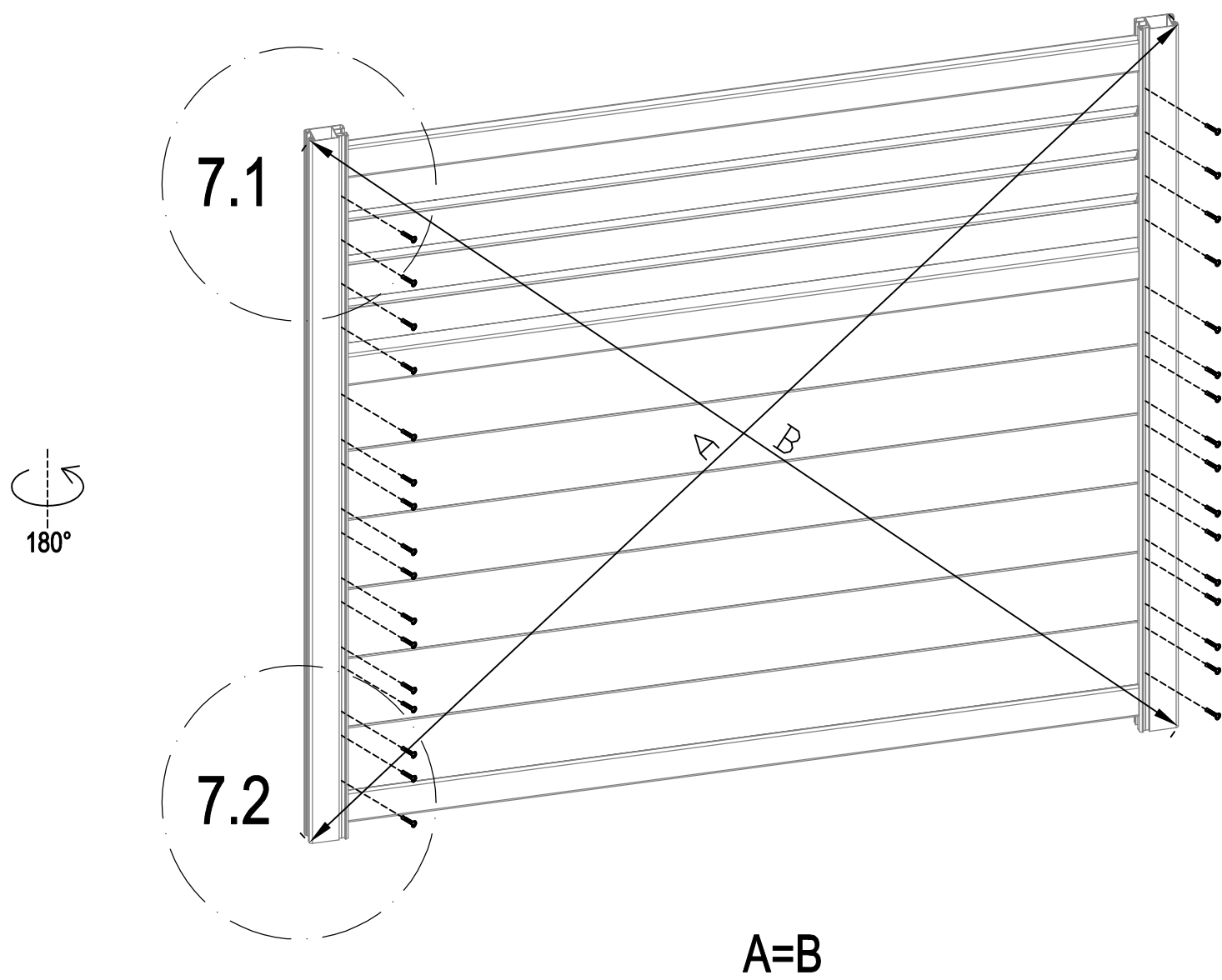
	SR-C6	4
---	-------	---




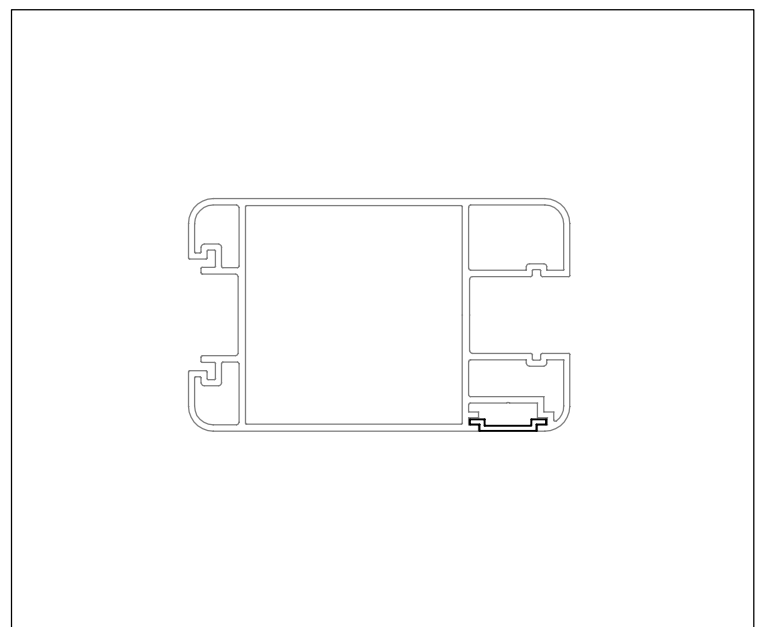
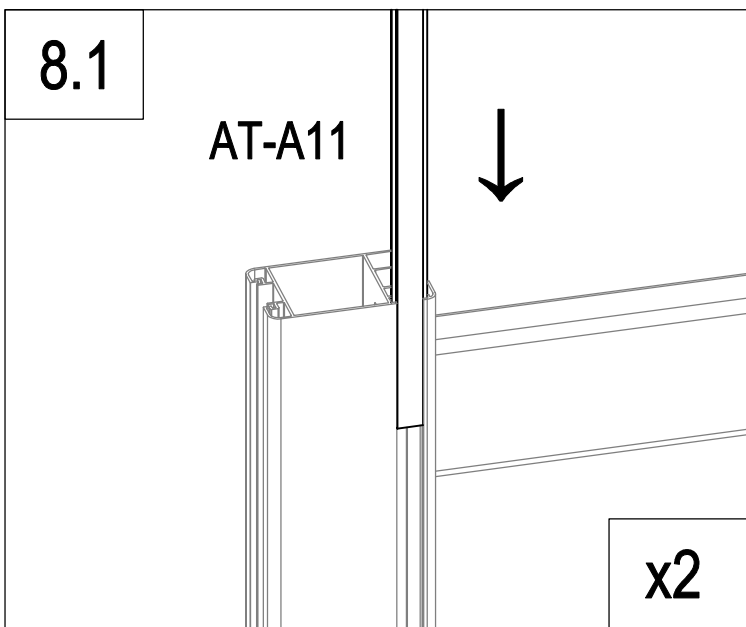
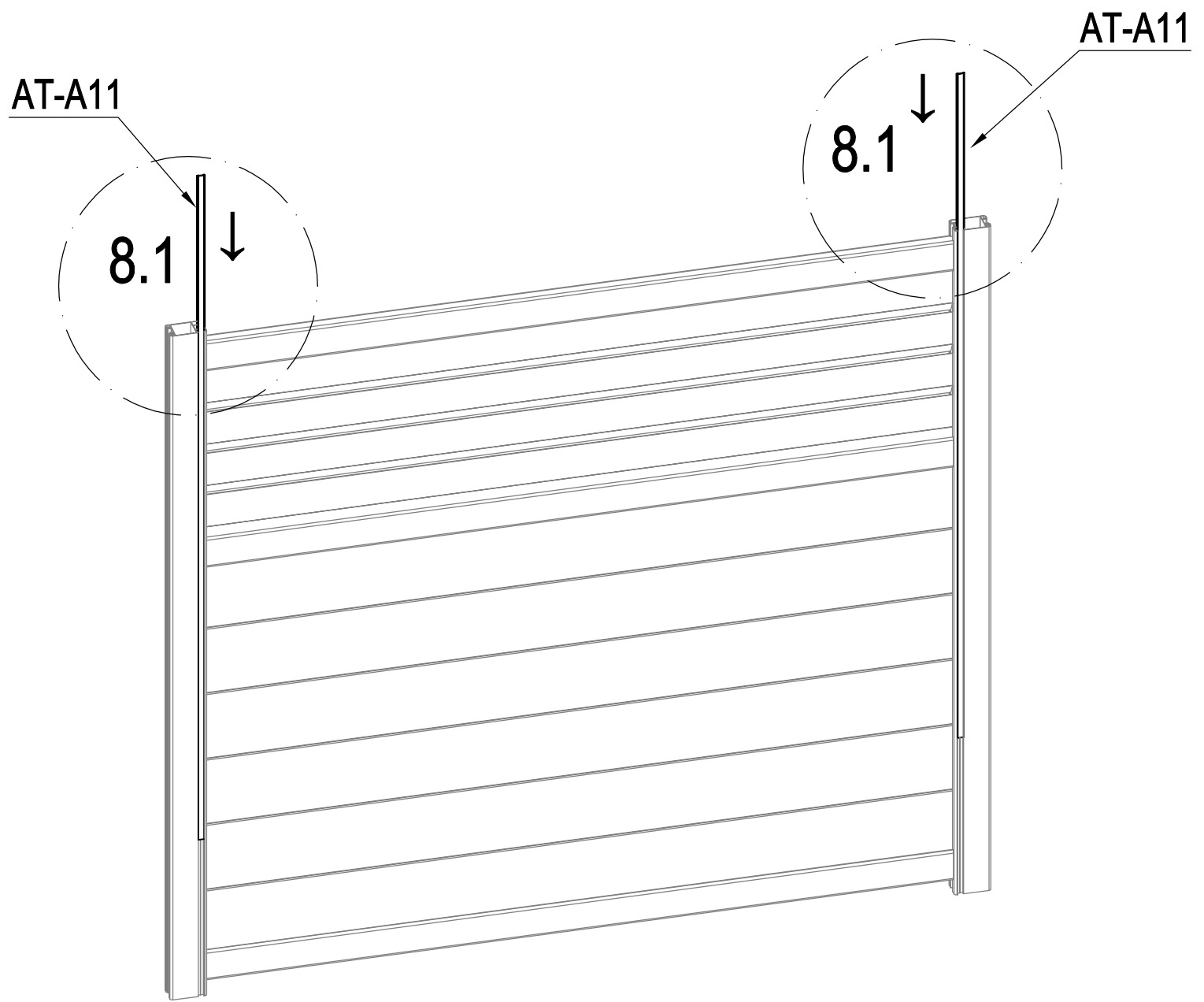
	SR-A1a	1
	Dr-28	3
	SR-D33	6



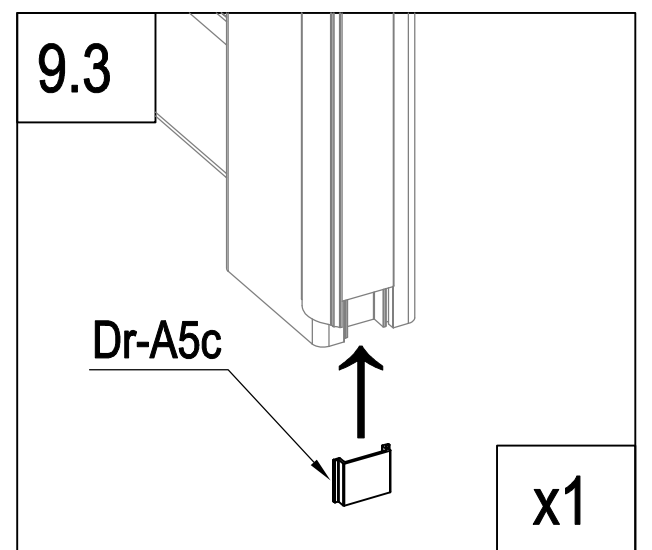
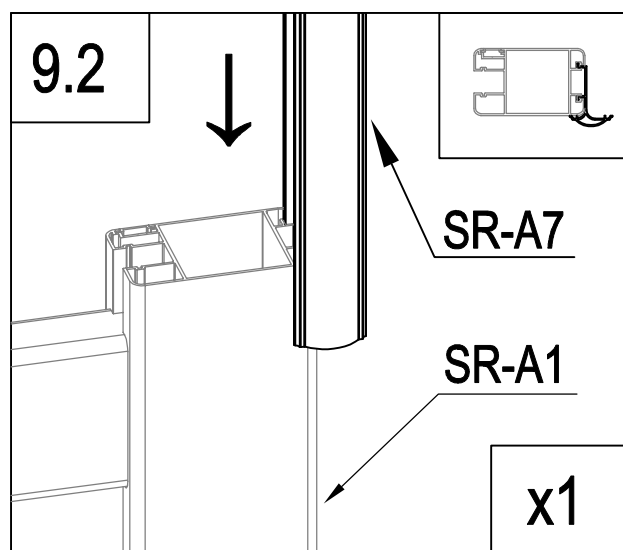
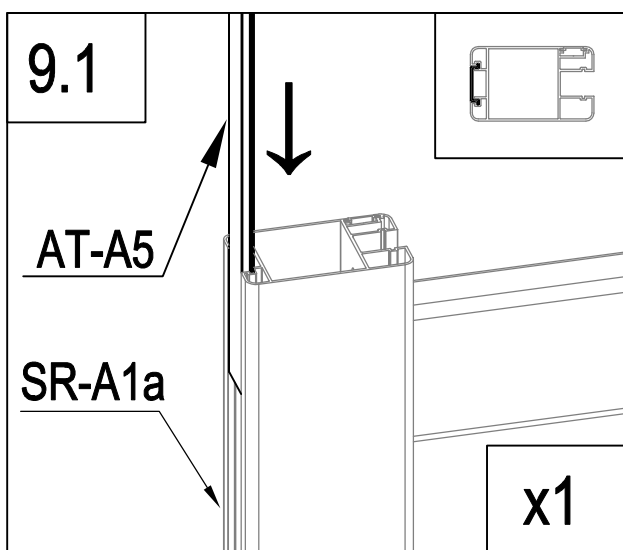
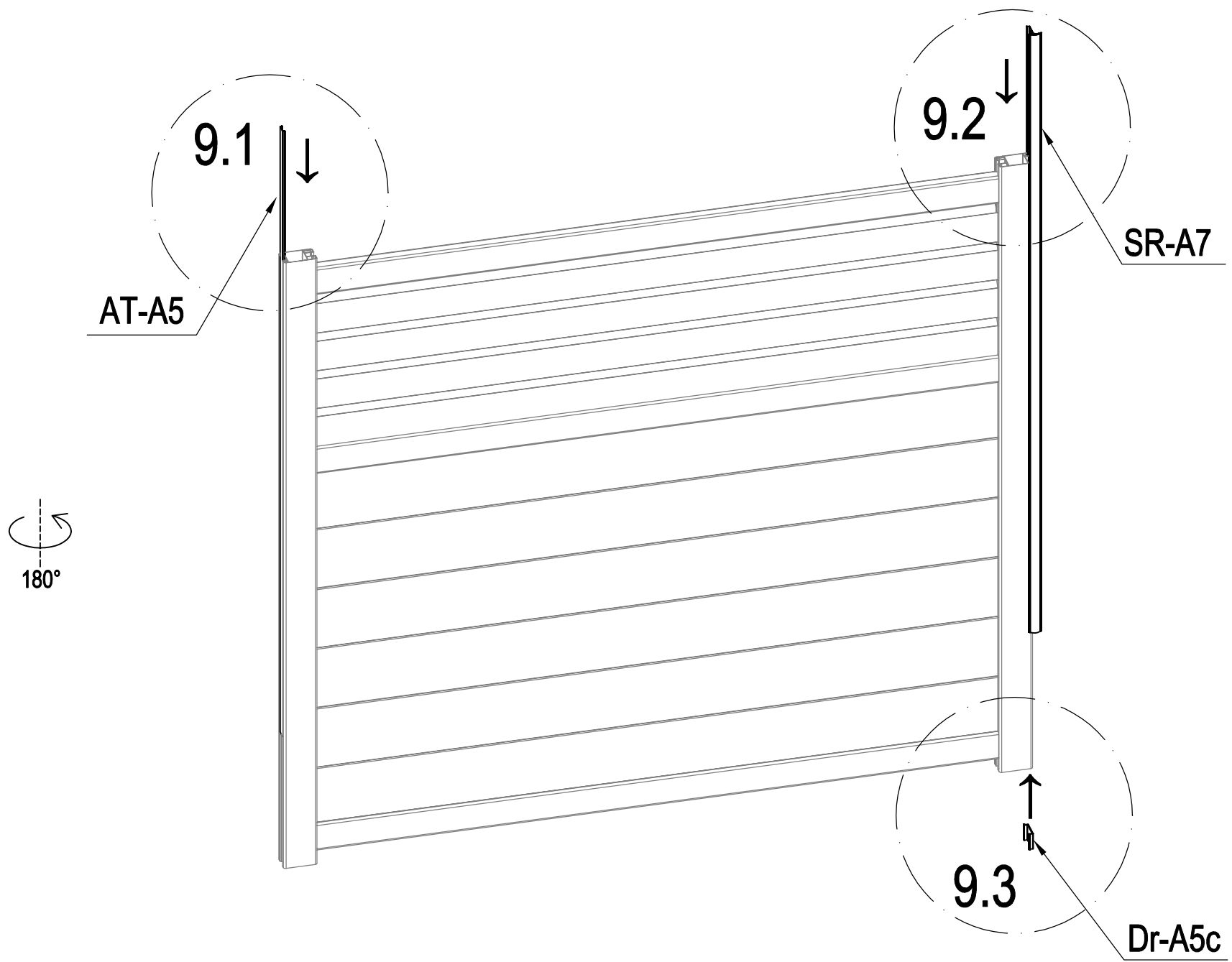
	SR-14	3
	SR-15	3

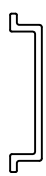
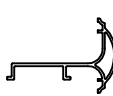


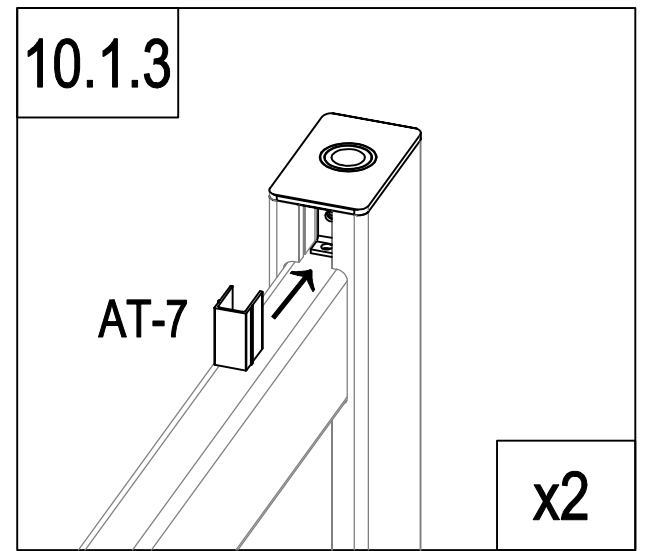
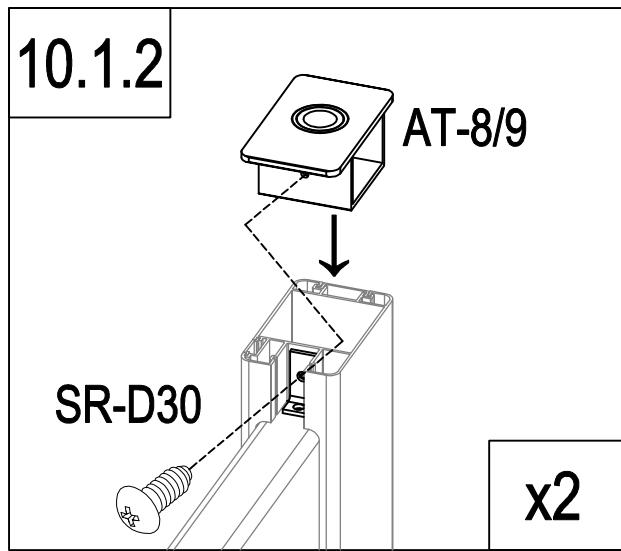
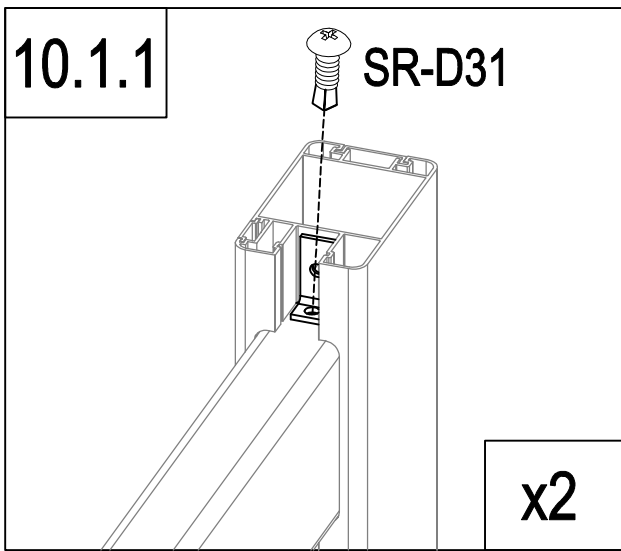
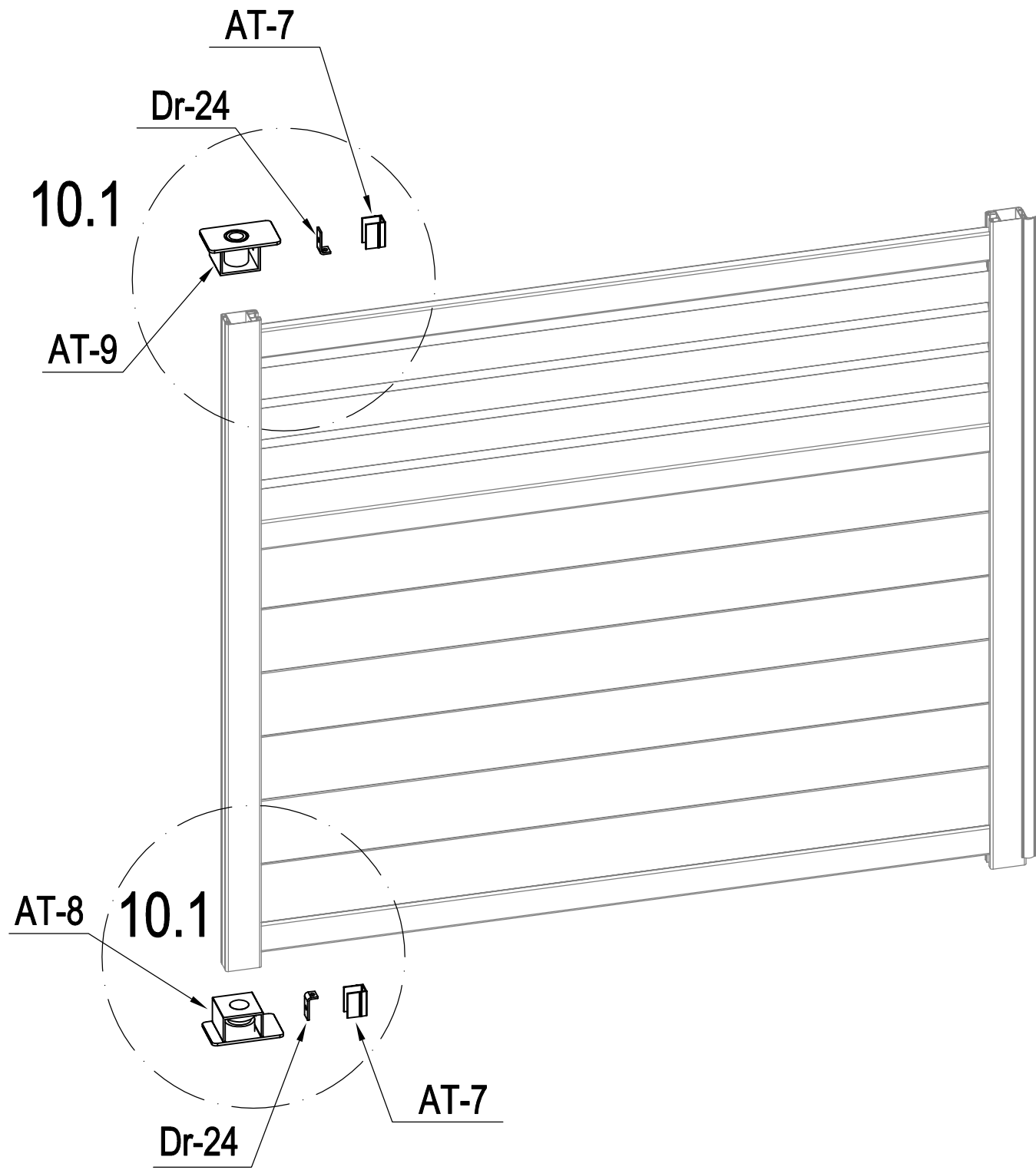
	SR-D36	32
---	--------	----



	AT-A11	2
---	--------	---

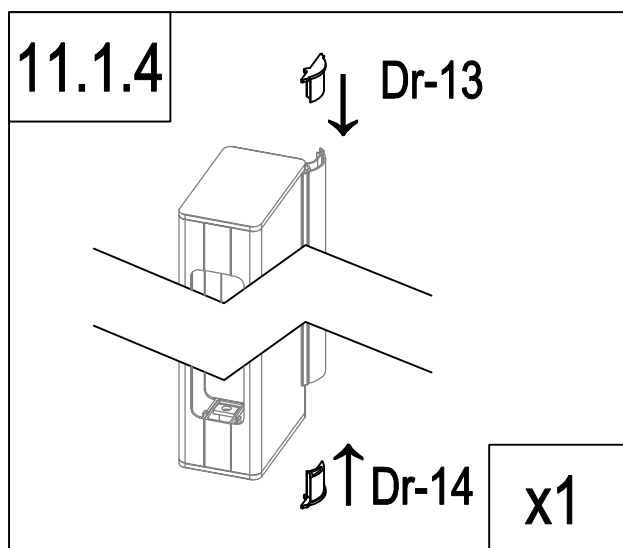
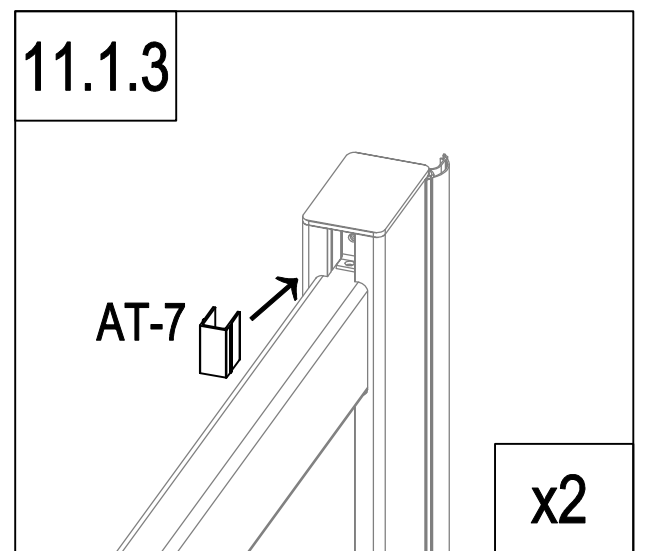
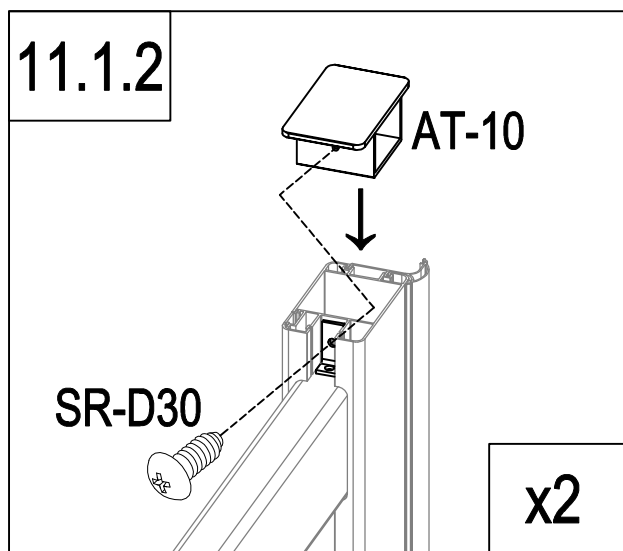
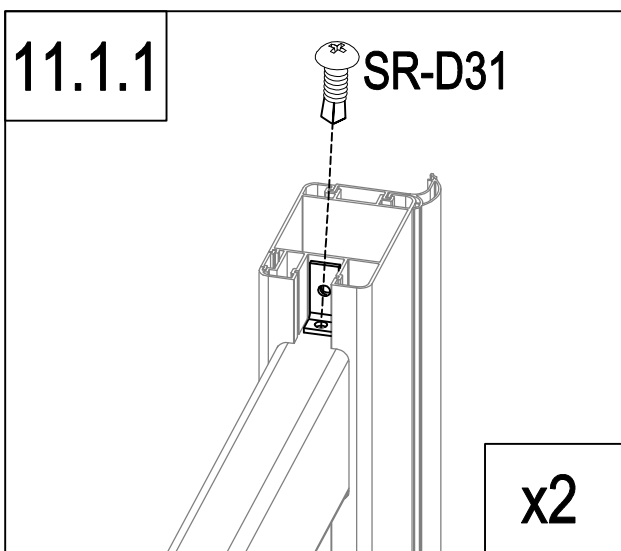
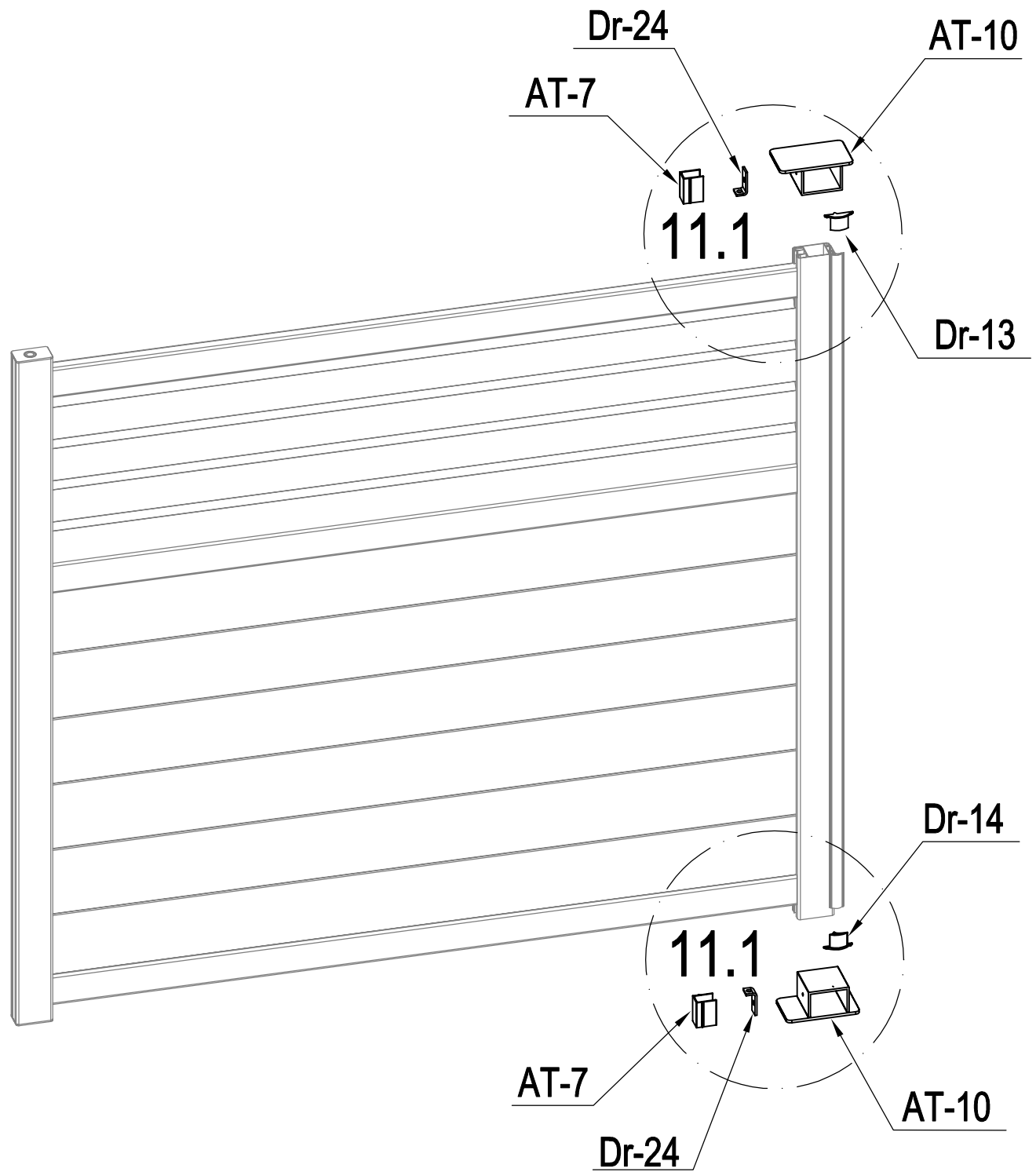


	AT-A5	1
	Dr-A5c	1
	SR-A7	1



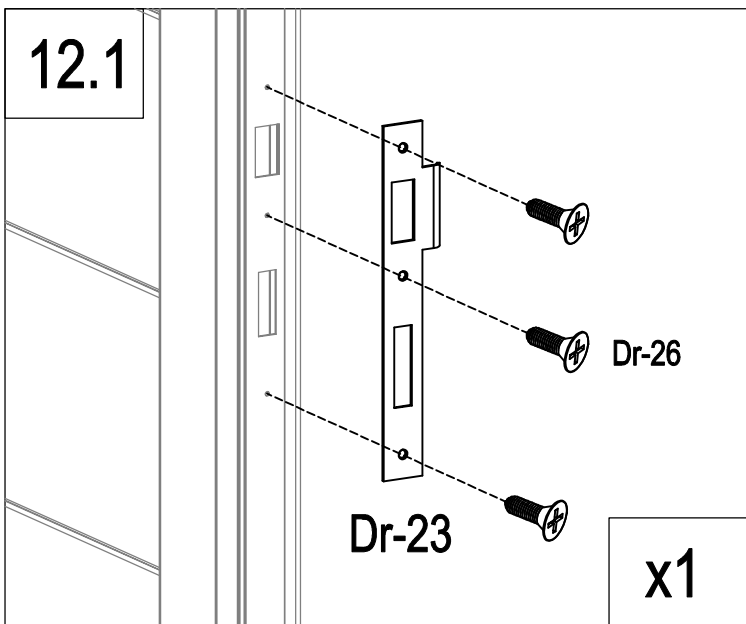
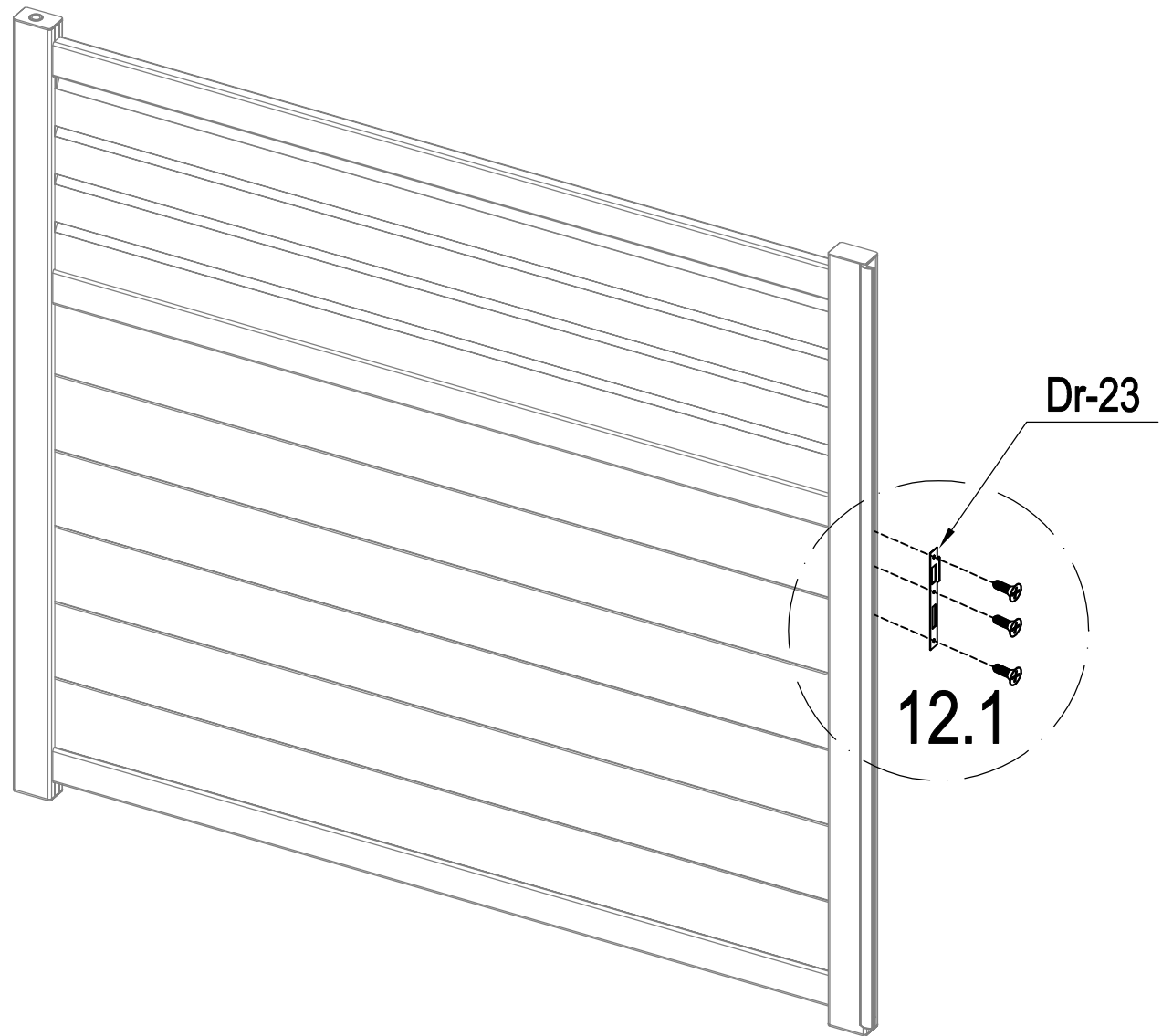
	AT-8	1
	AT-9	1
	Dr-24	2



	AT-7	2
	SR-D30	2
	SR-D31	2

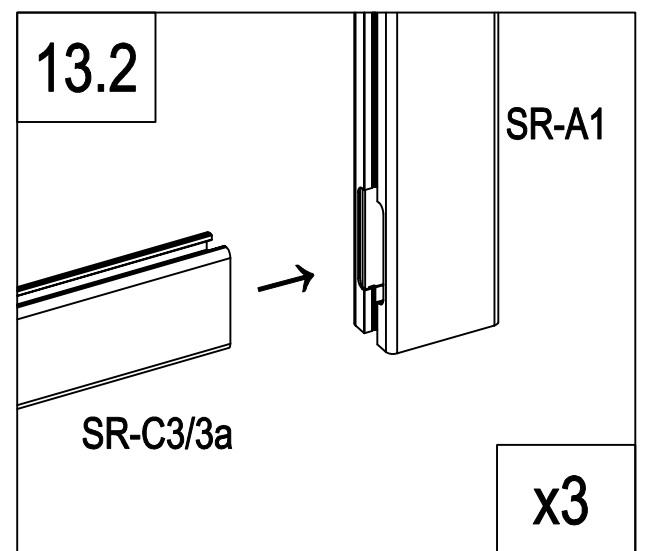
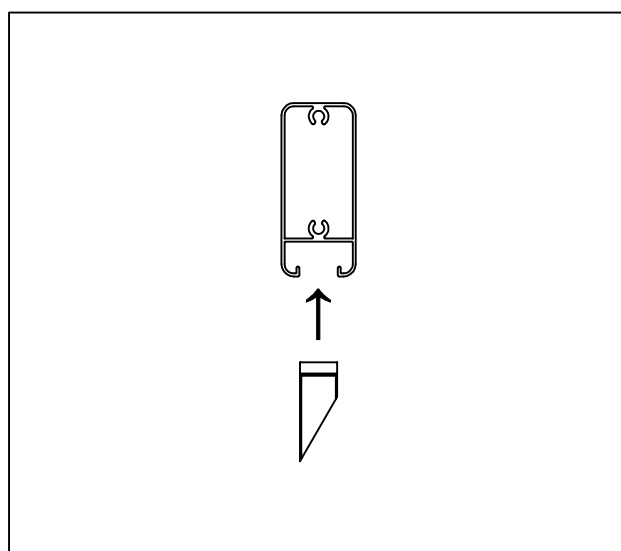
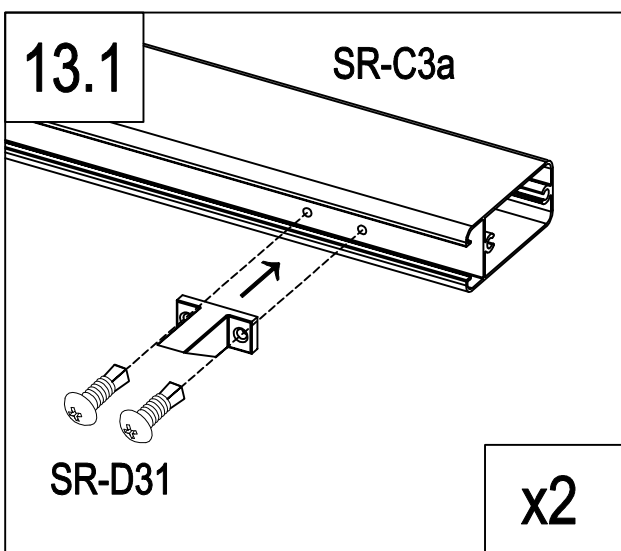
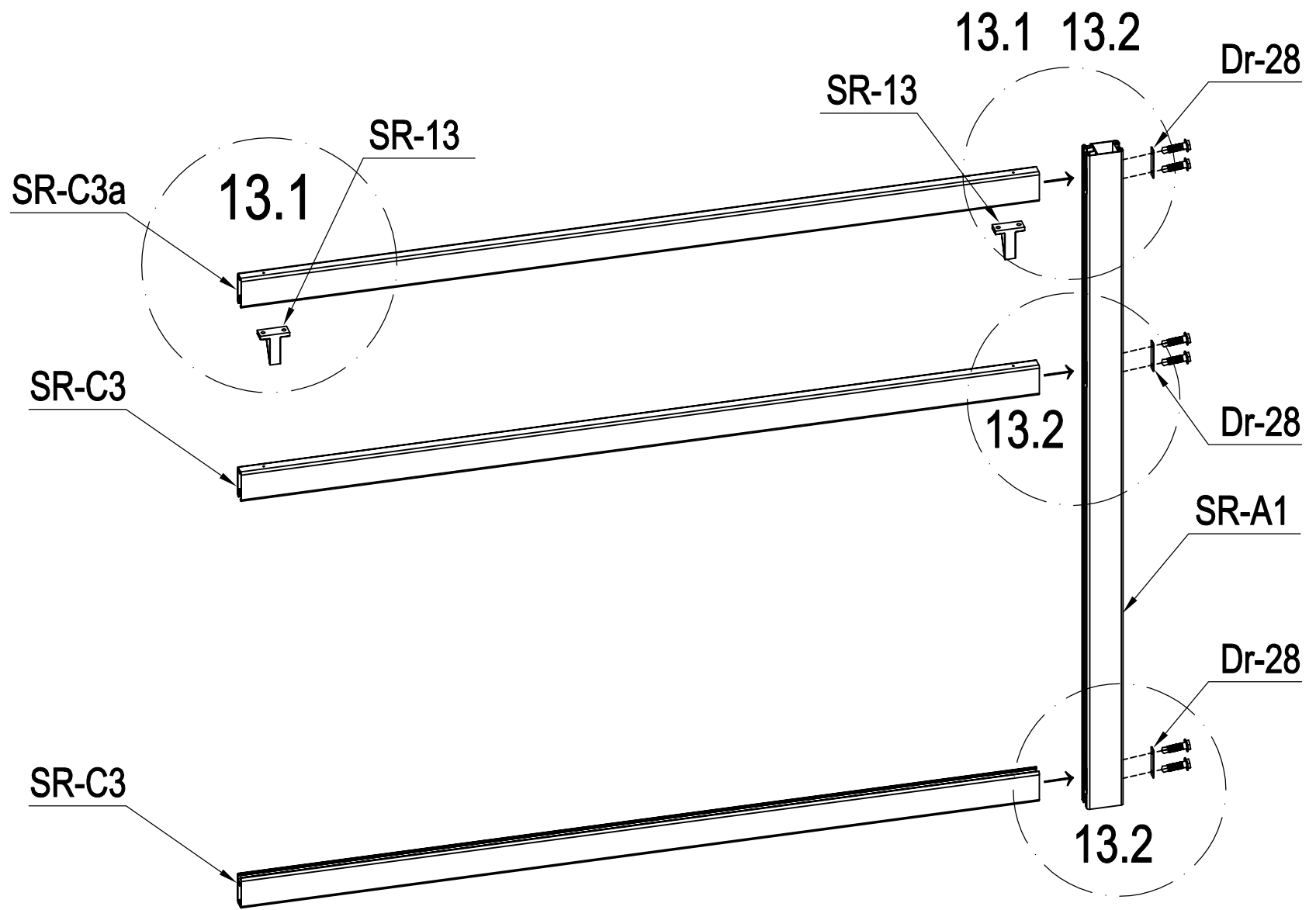


	AT-10	2
	Dr-24	2
	AT-7	2
	Dr-13	1

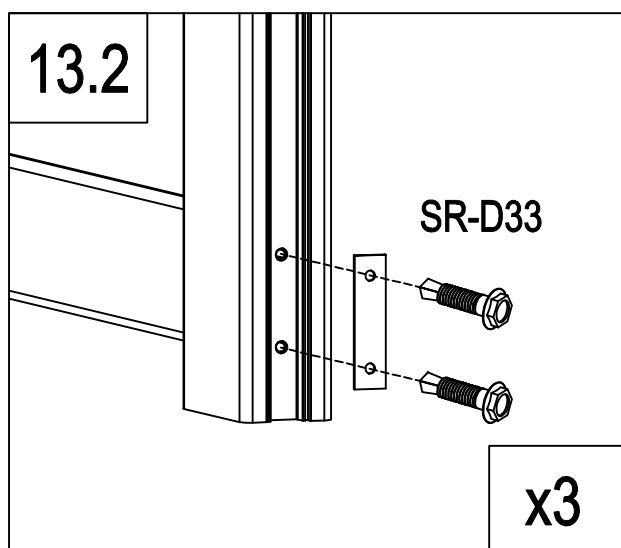
	Dr-14	1
	SR-D30	2
	SR-D31	2



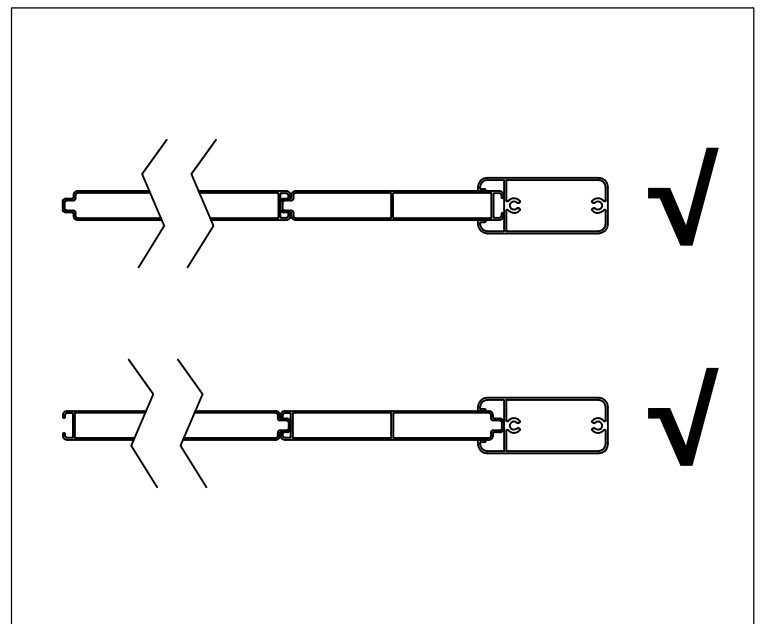
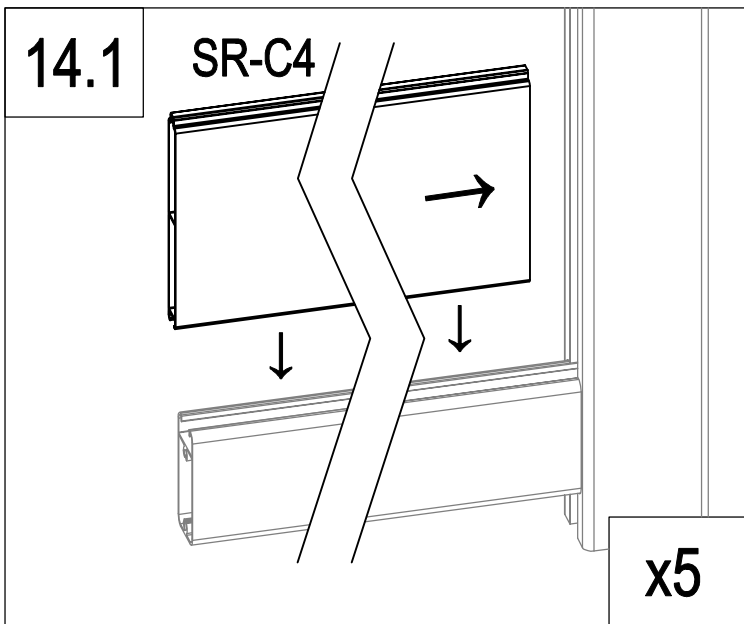
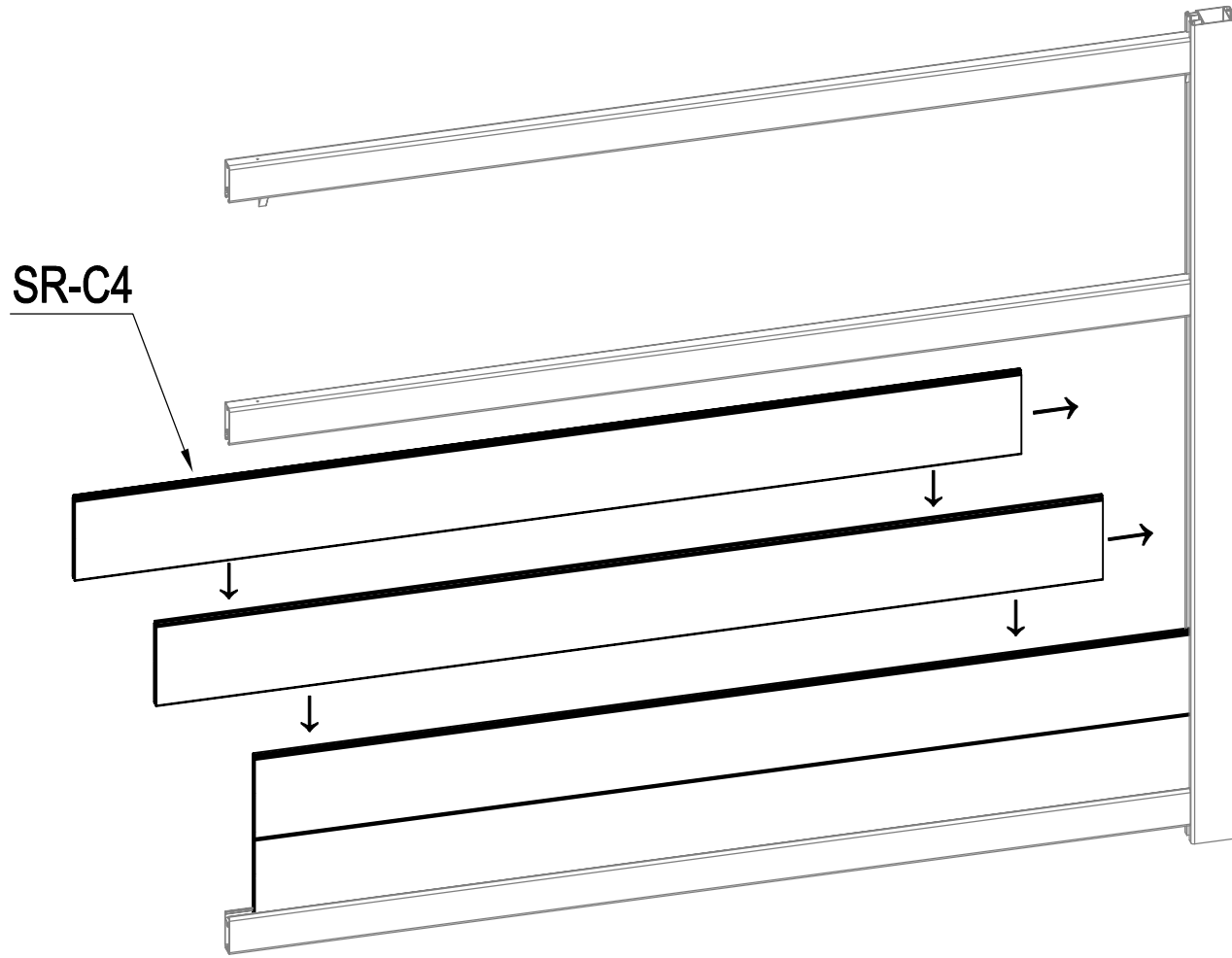
	Dr-23	1
	Dr-26	3

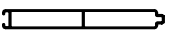


	SR-A1	1
	SR-C3	2
	SR-C3a	1
	SR-13	2

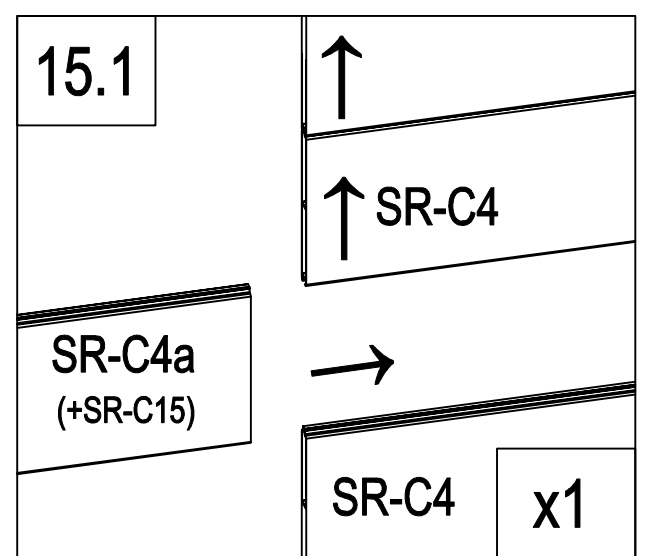
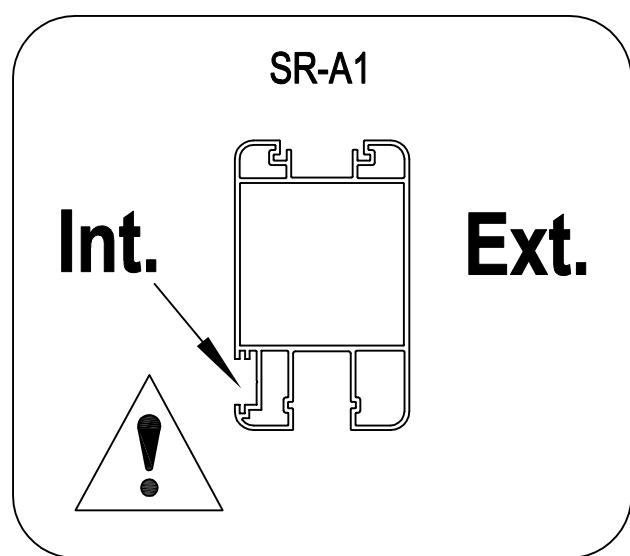
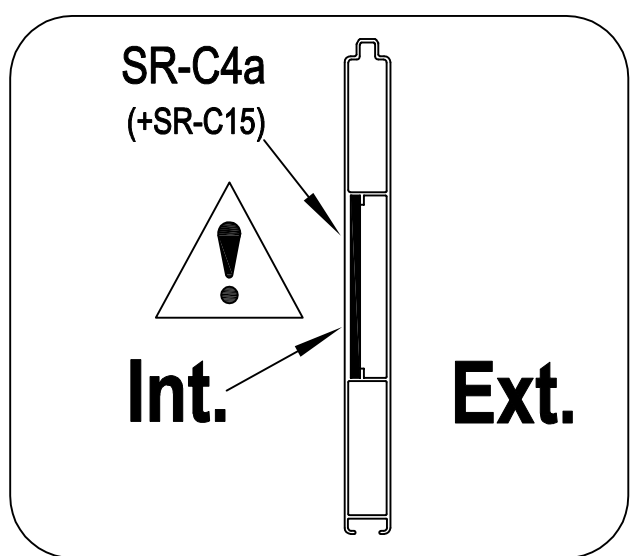
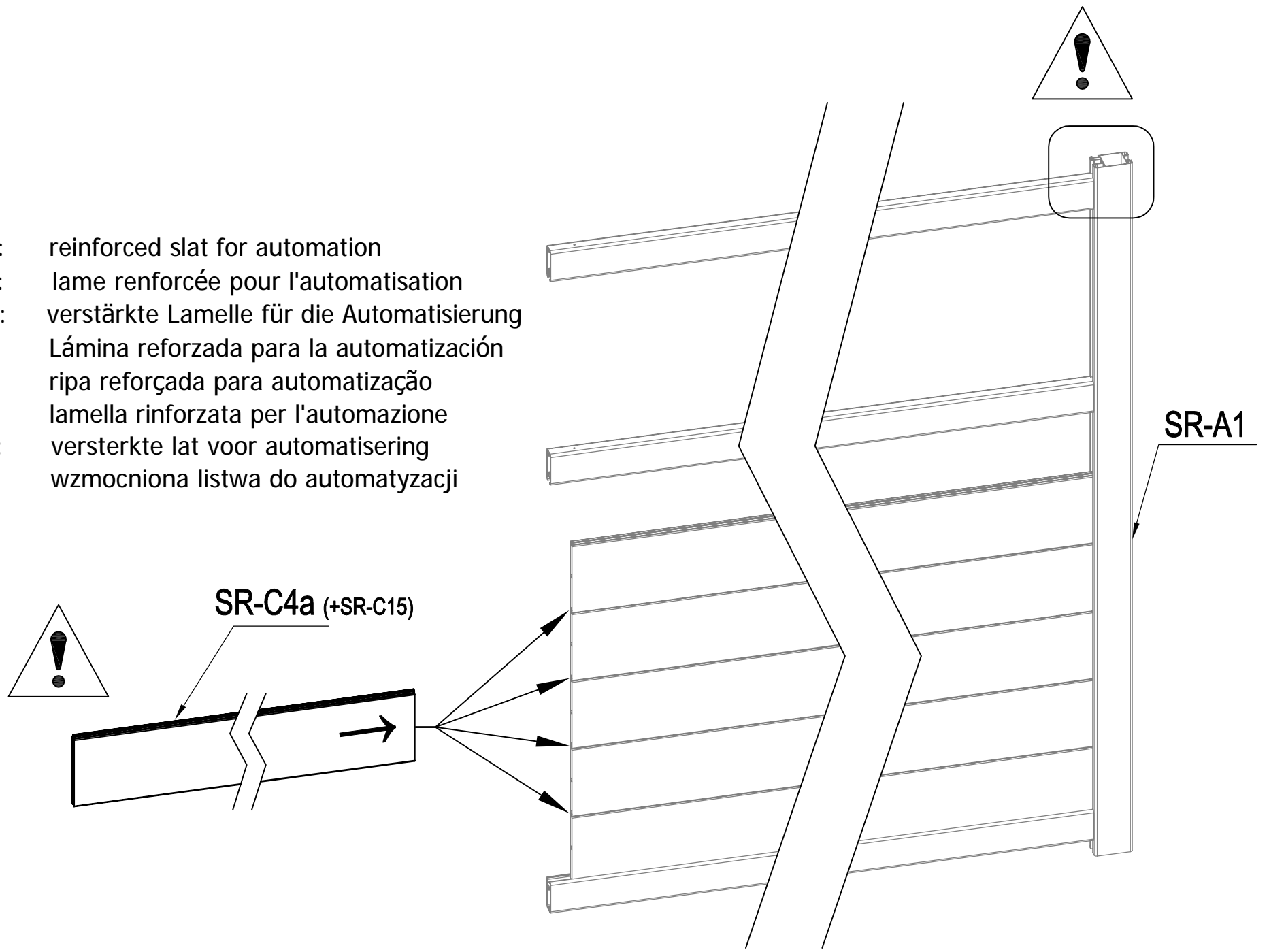



	Dr-28	3
	SR-D31	4
	SR-D33	6



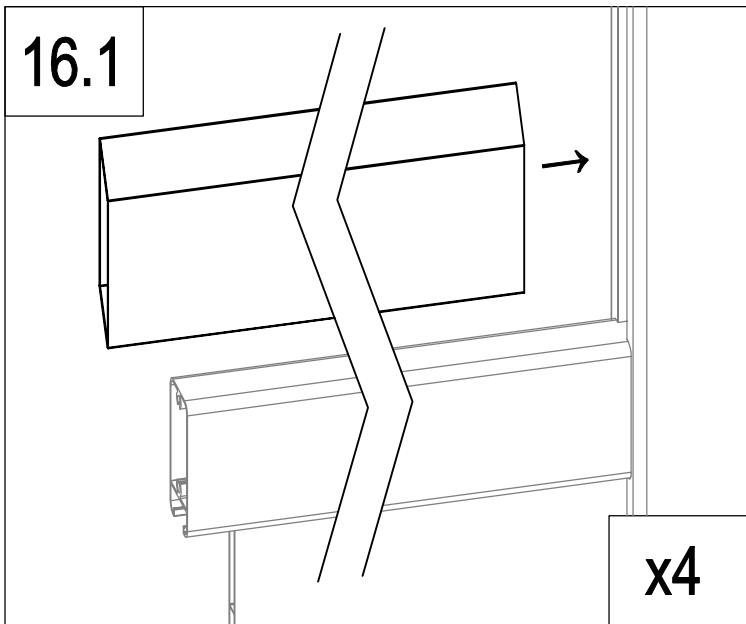
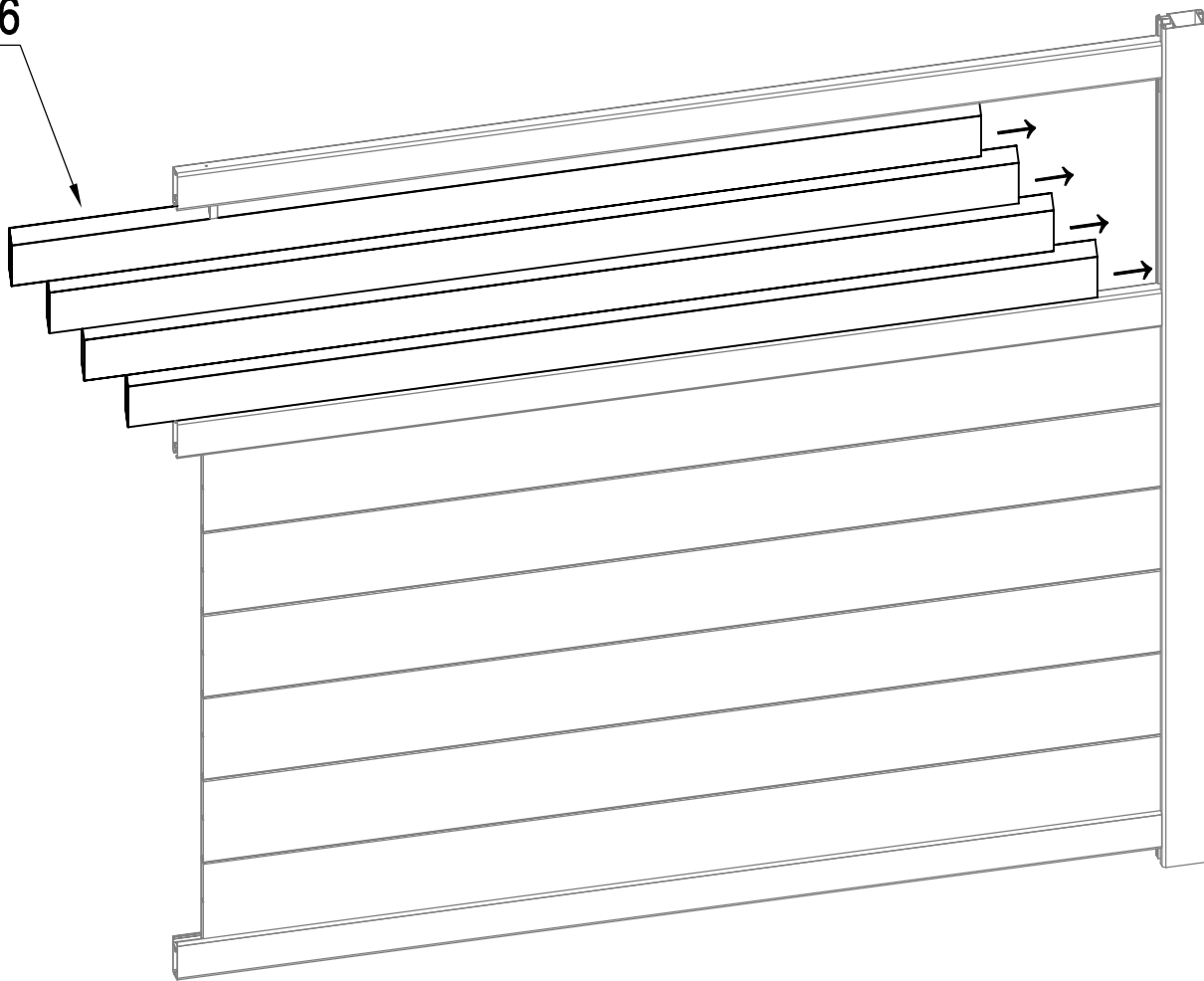
	SR-C4	5
---	-------	---

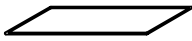
- EN: reinforced slat for automation
- FR: lame renforcée pour l'automatisation
- DE: verstärkte Lamelle für die Automatisierung
- ES: Lámina reforzada para la automatización
- PT: ripa reforçada para automatização
- IT: lamella rinforzata per l'automazione
- NL: versterkte lat voor automatisering
- PL: wzmocniona listwa do automatyzacji

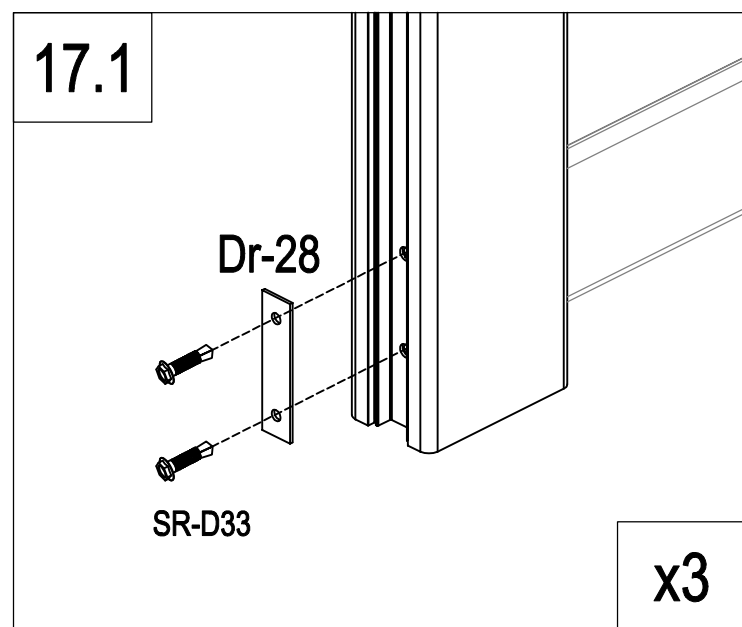
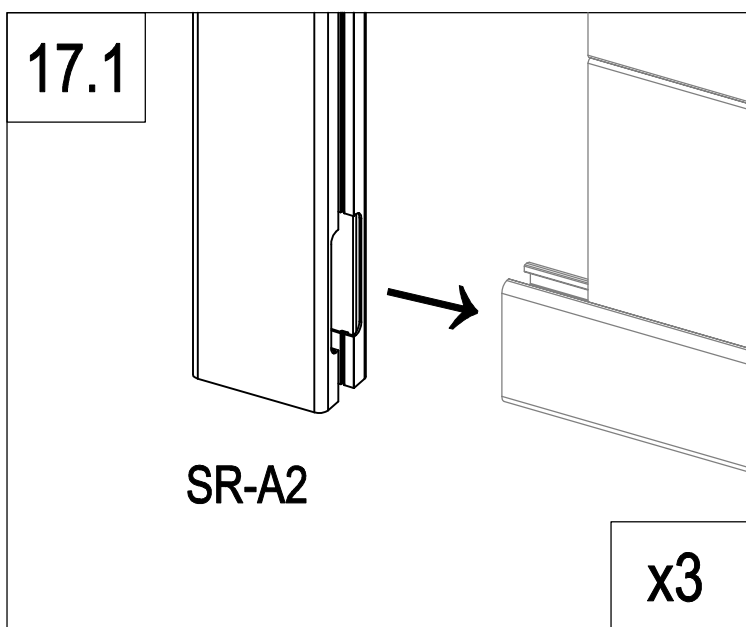
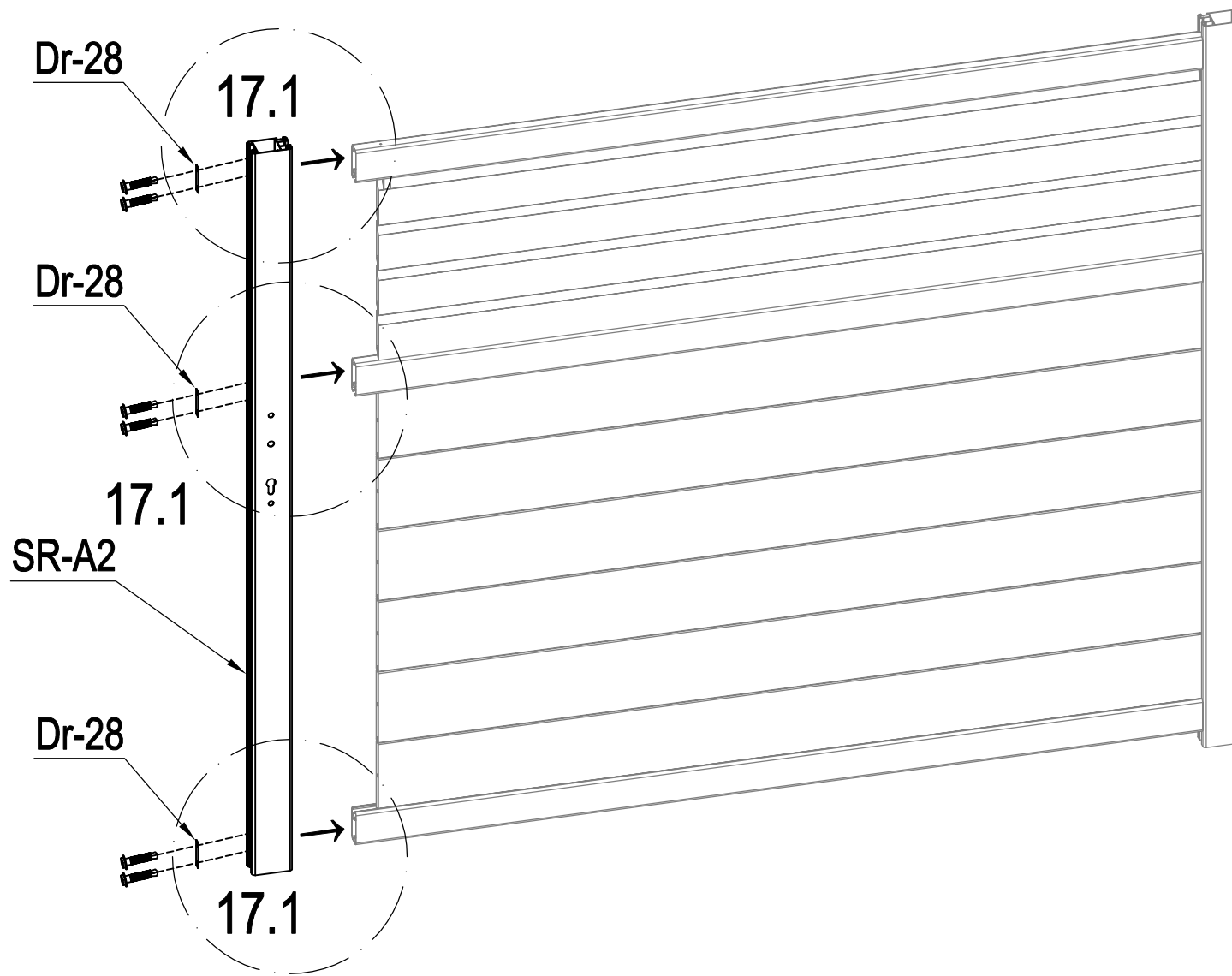


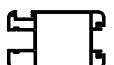


	SR-C4a (+SR-C15)	1
---	------------------	---

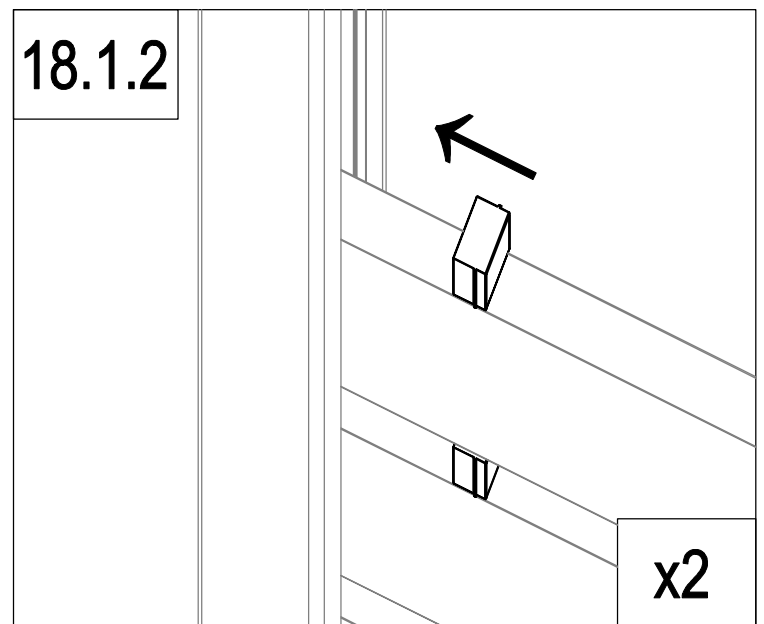
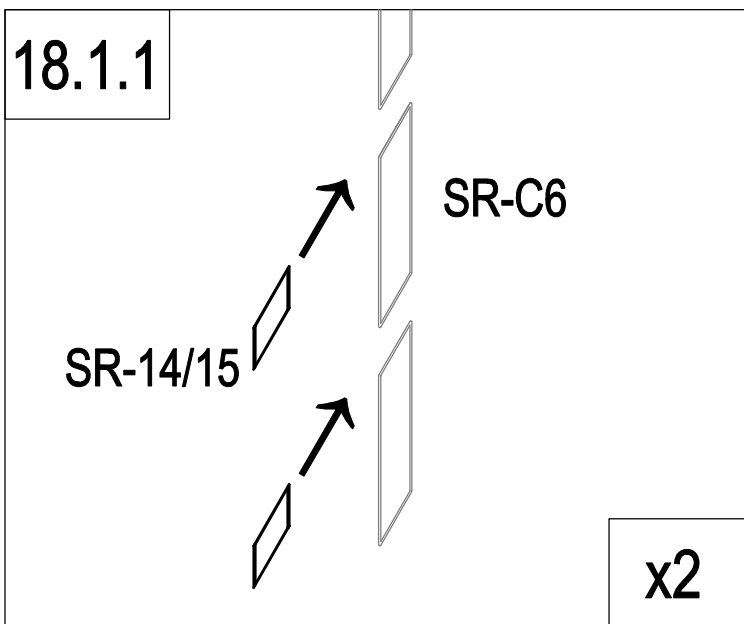
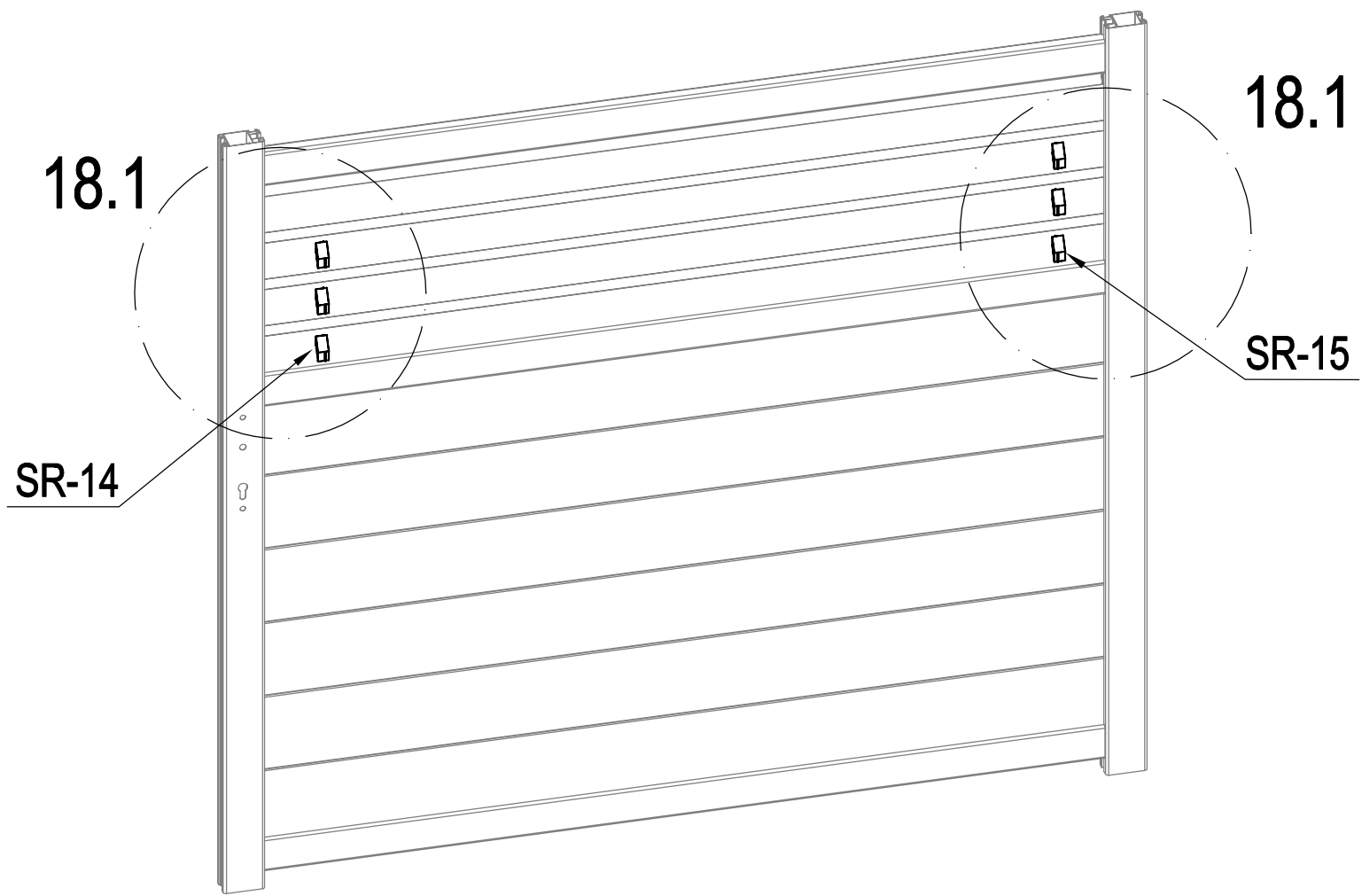
SR-C6





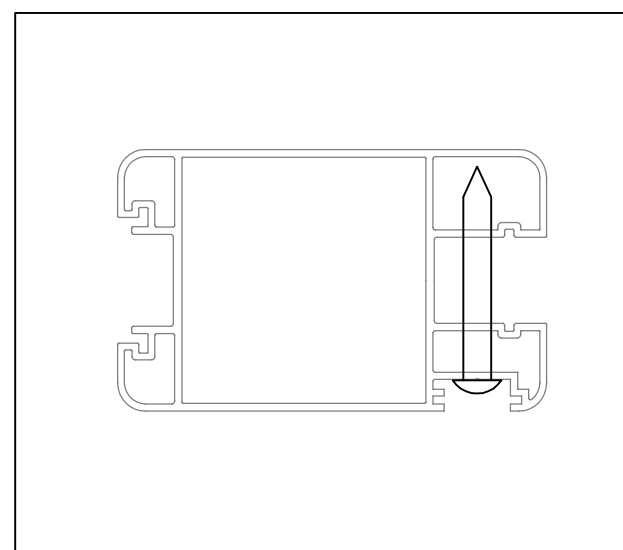
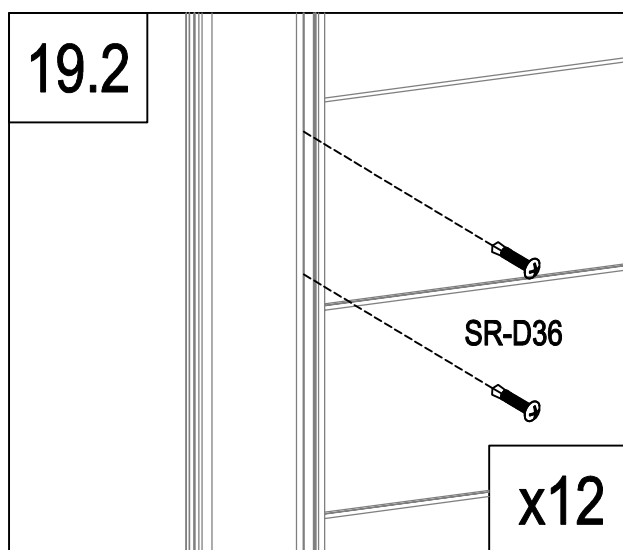
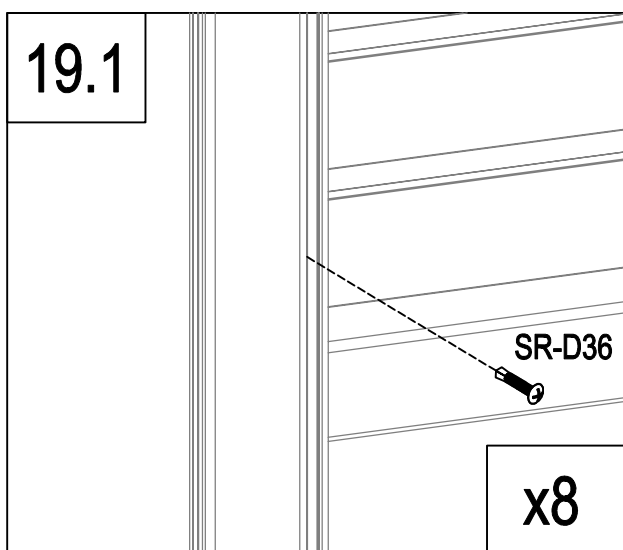
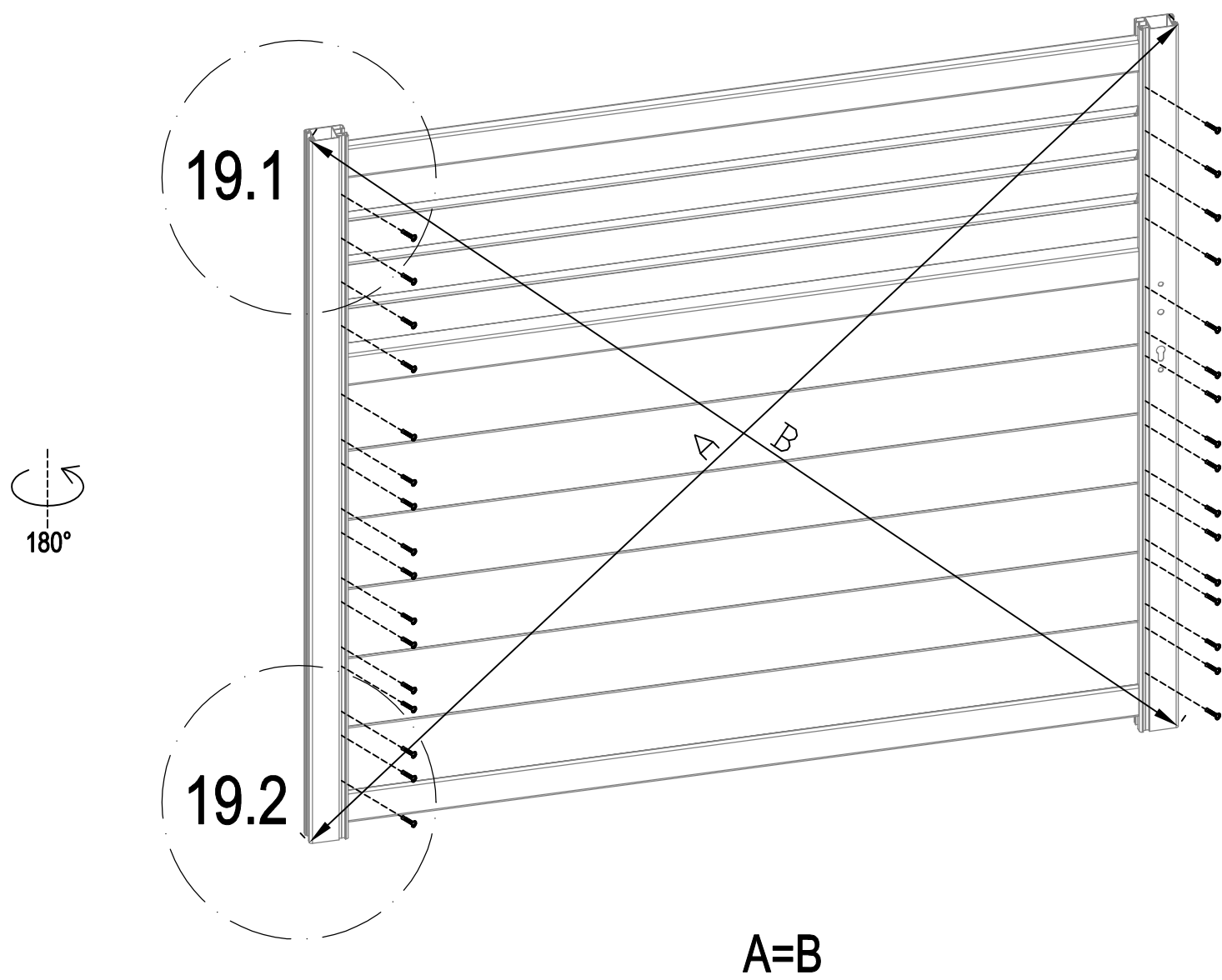
	SR-C6	4
---	-------	---




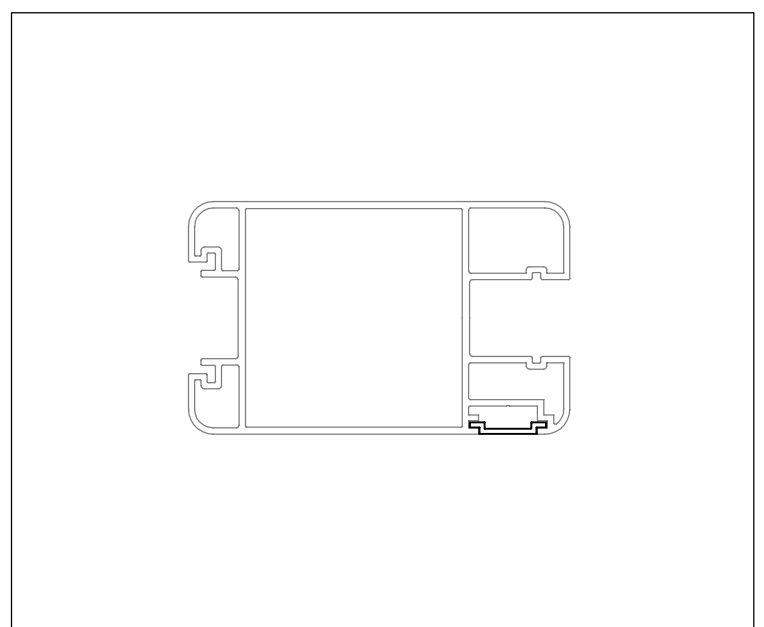
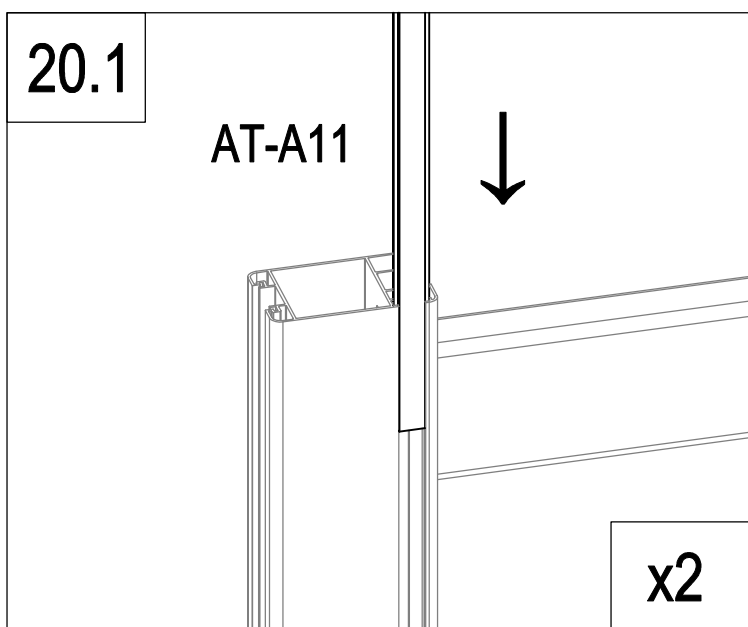
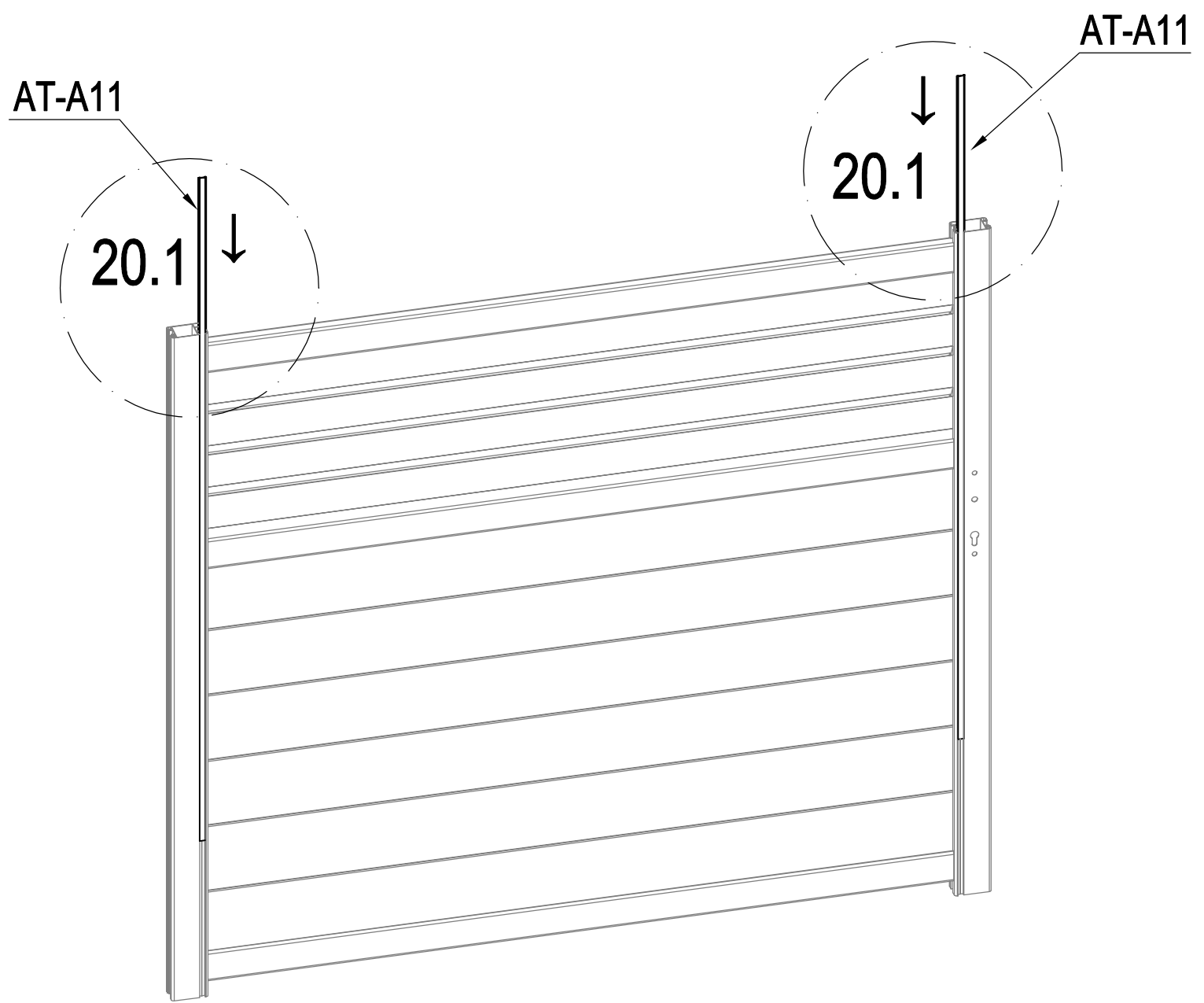
	SR-A2	1
	Dr-28	3
	SR-D33	6



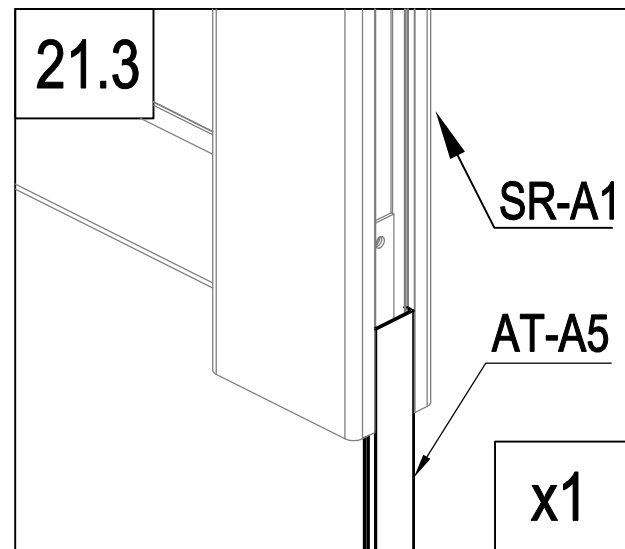
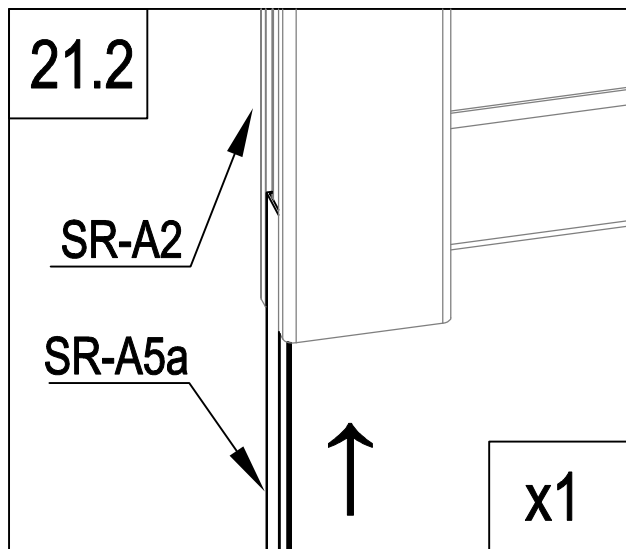
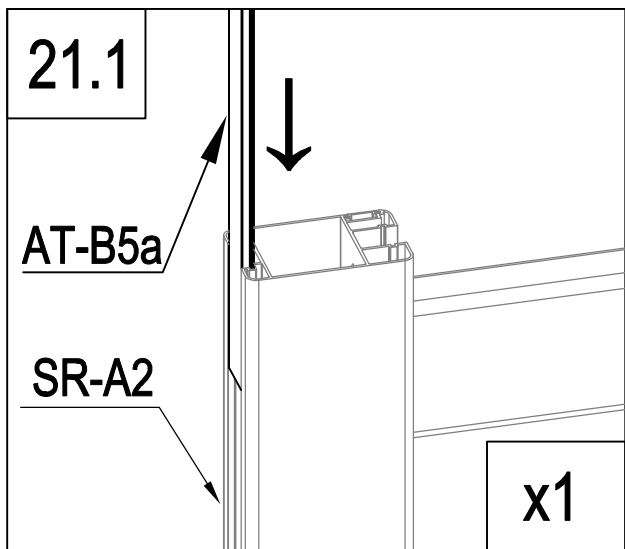
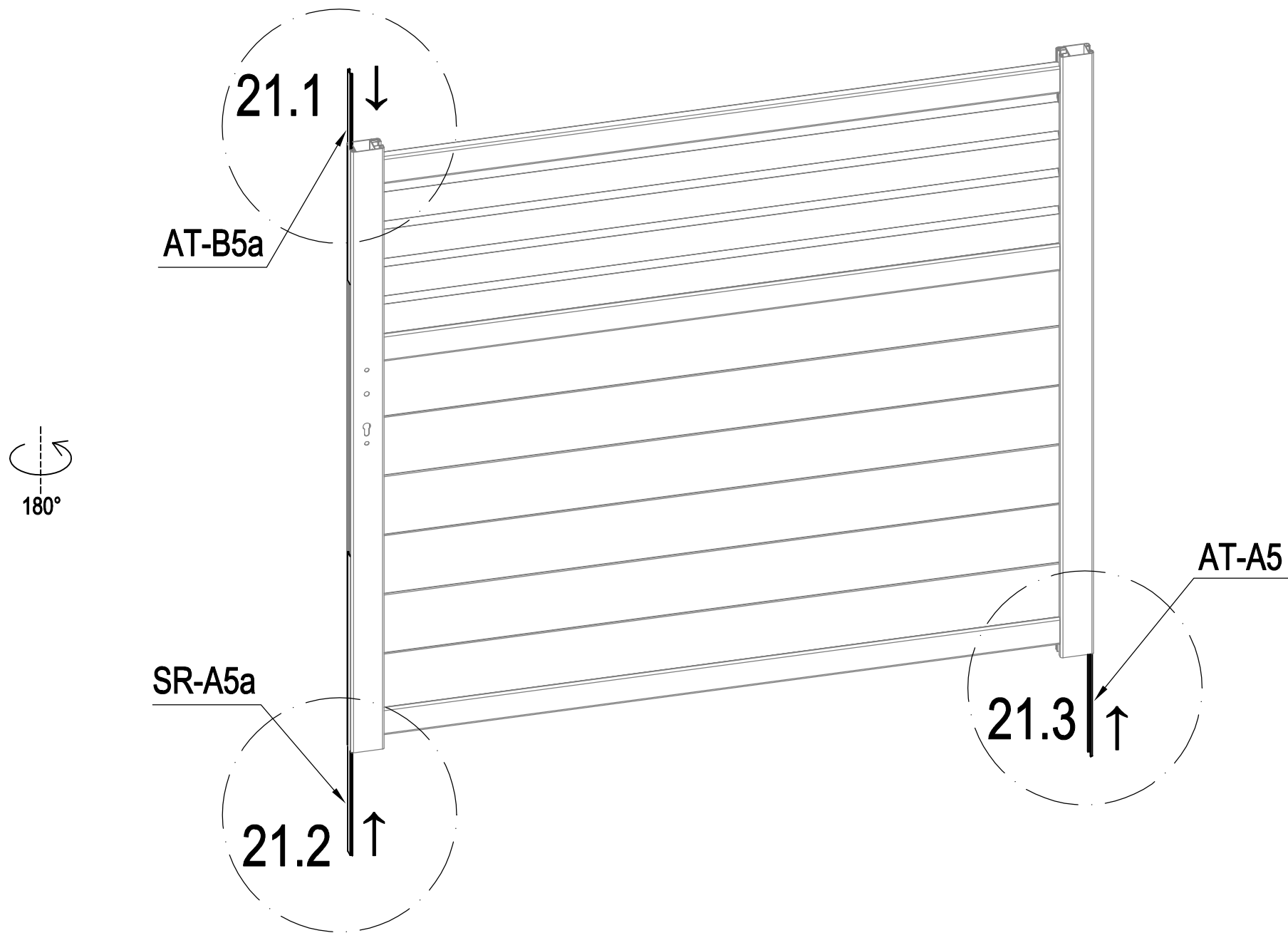
	SR-14	3
	SR-15	3

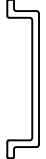


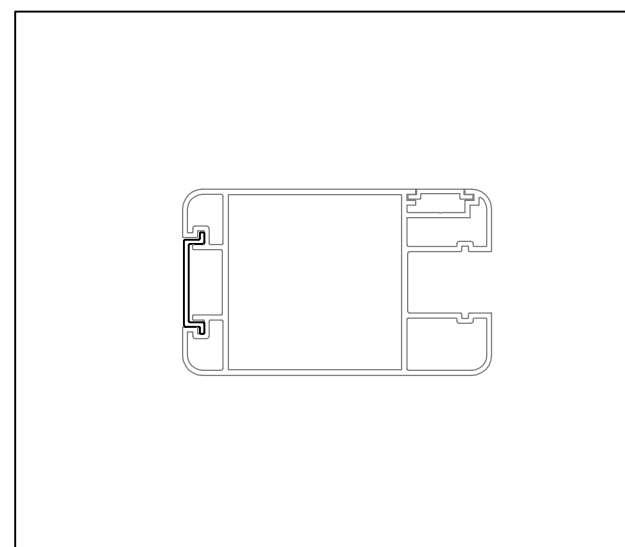
	SR-D36	32
---	--------	----

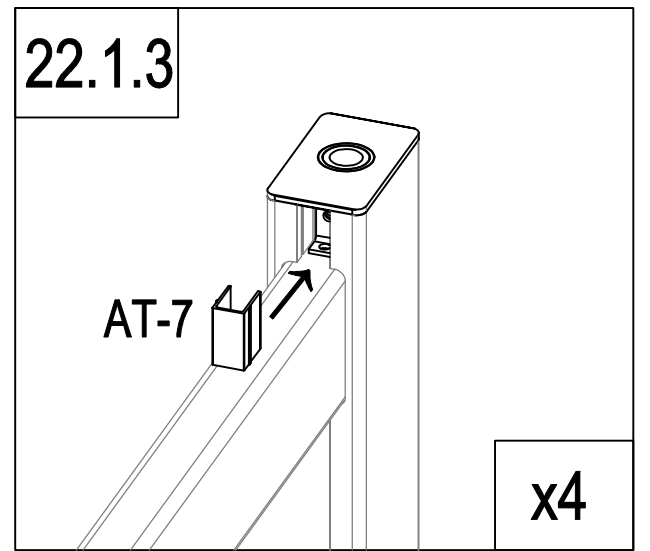
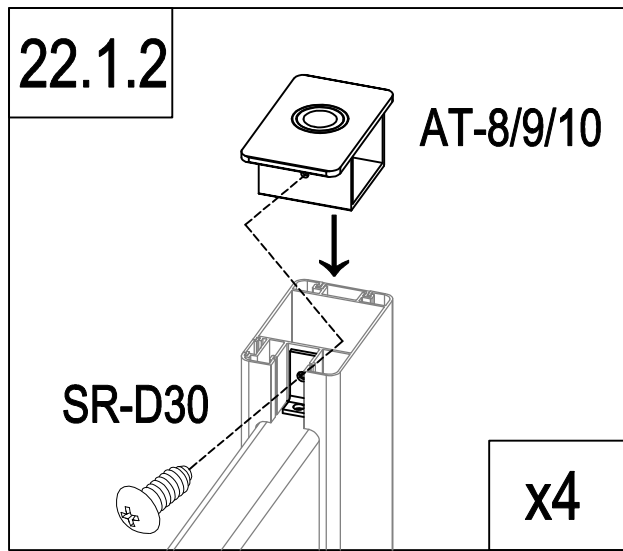
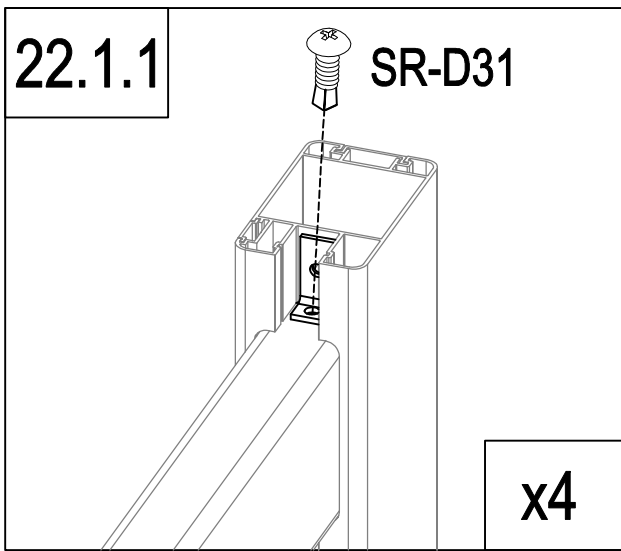
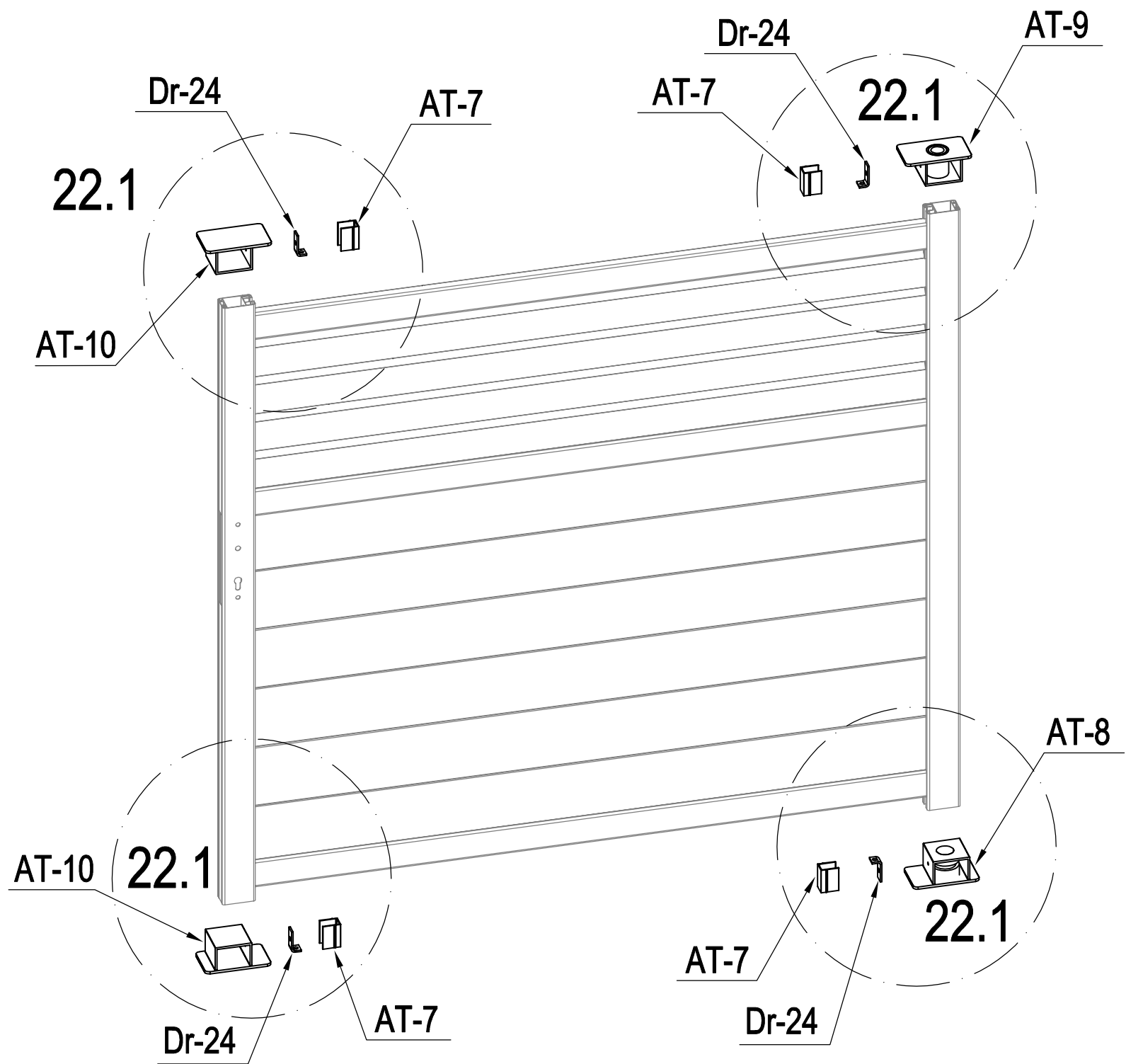


	AT-A11	2
---	--------	---



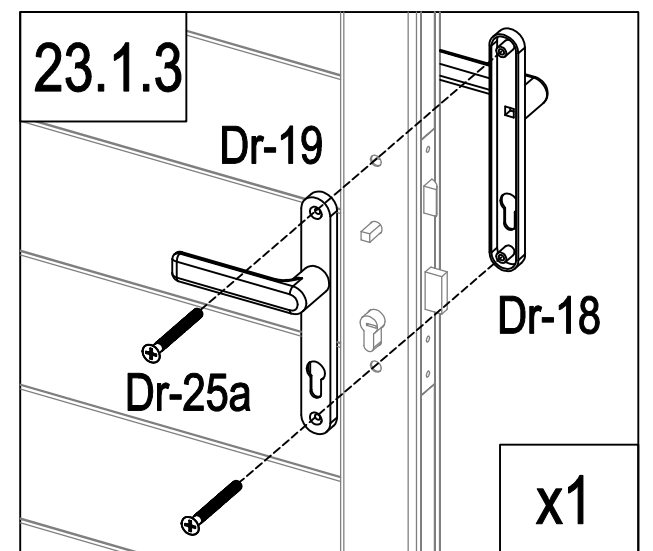
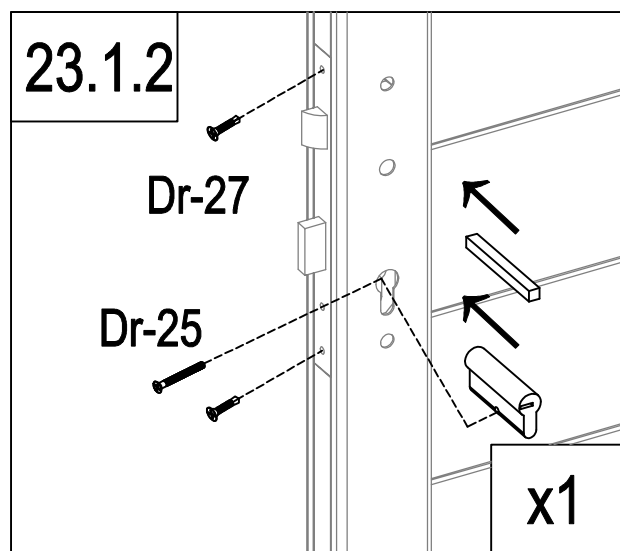
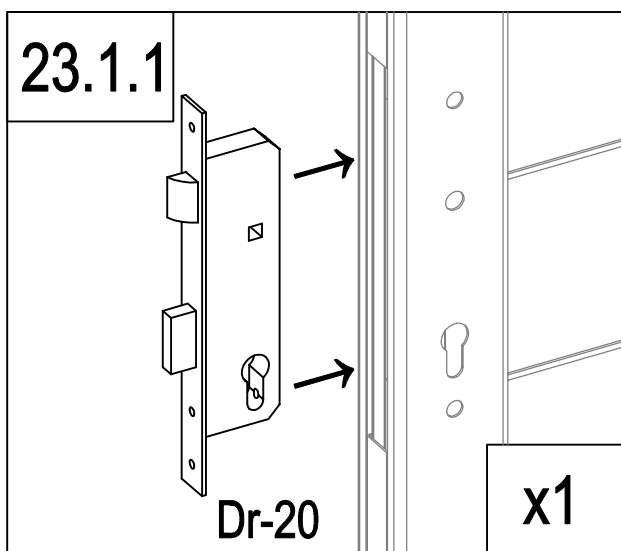
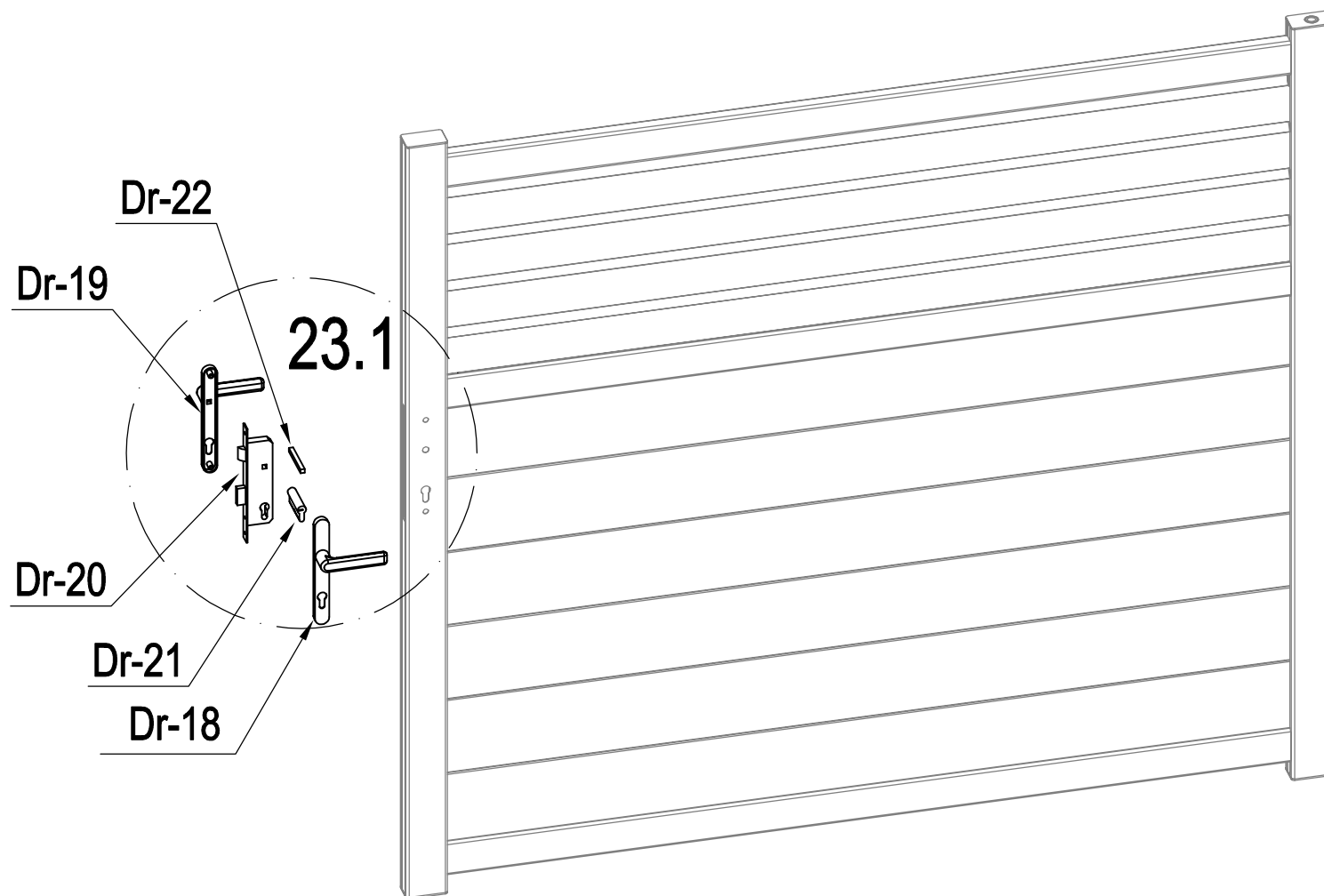
	AT-A5	1
	AT-B5a	1
	SR-A5a	1





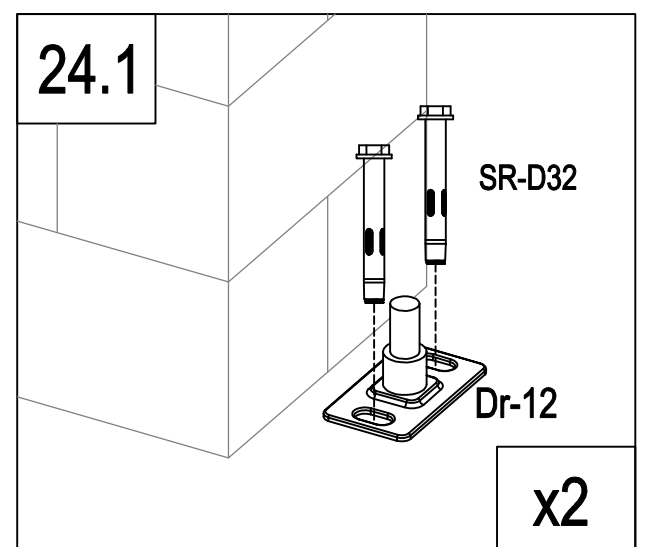
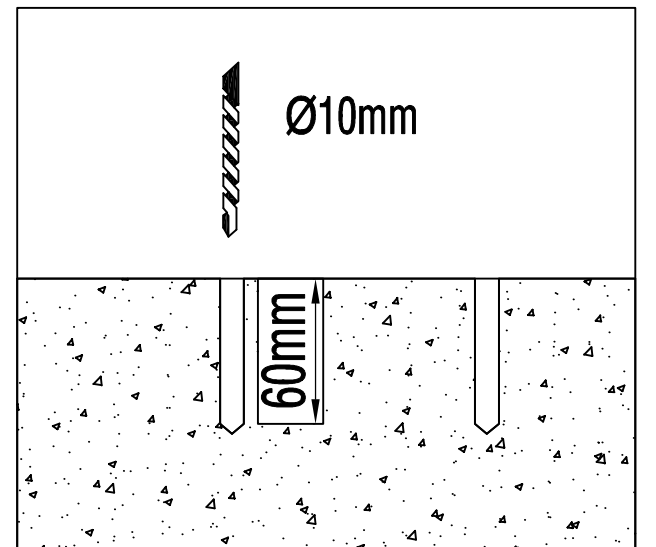
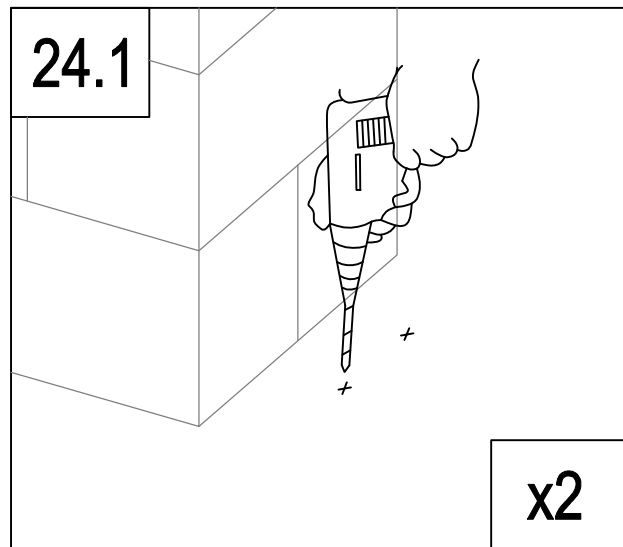
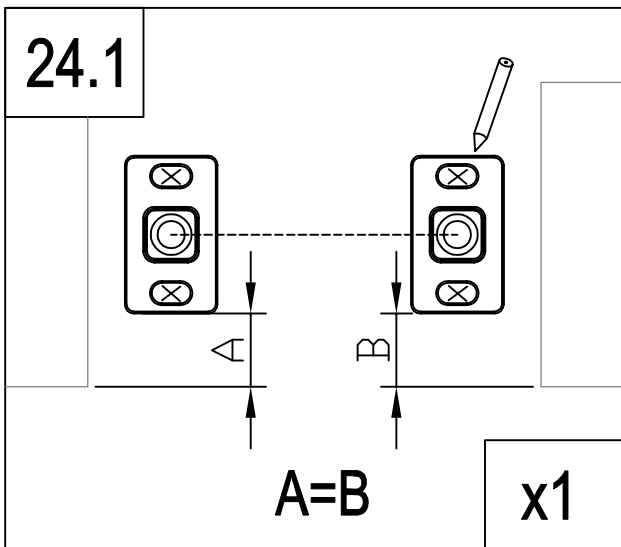
	AT-8	1
	AT-9	1
	AT-10	2
	Dr-24	4

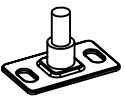

	AT-7	4
	SR-D30	4
	SR-D31	4

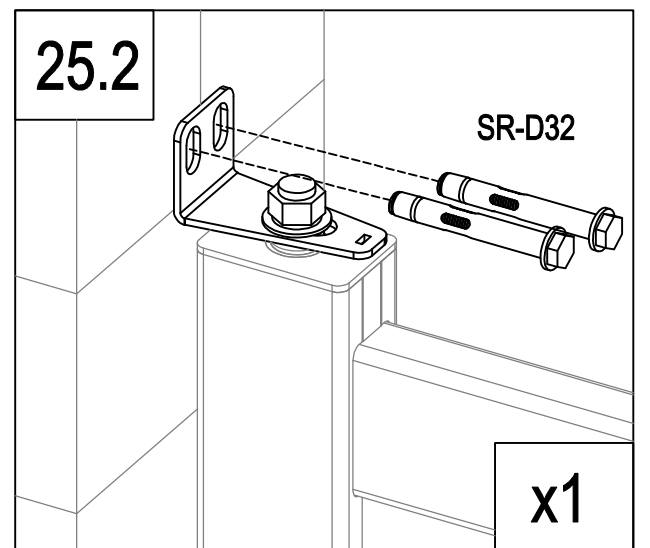
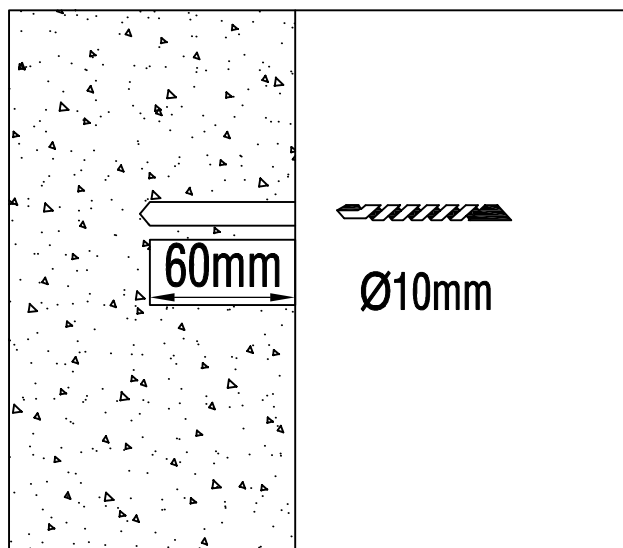
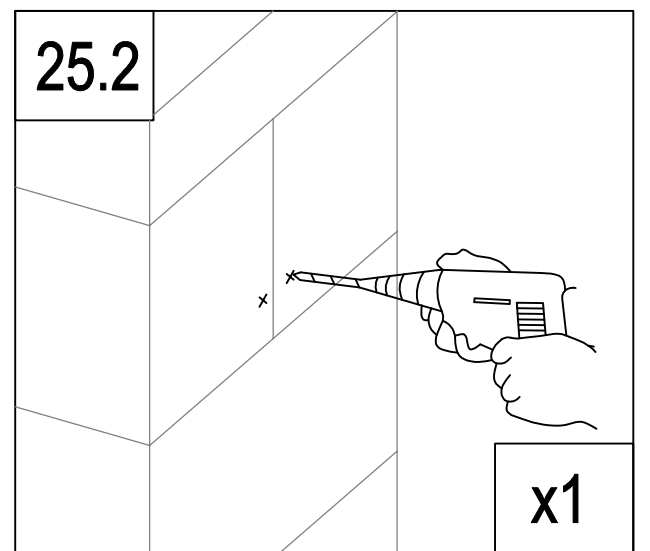
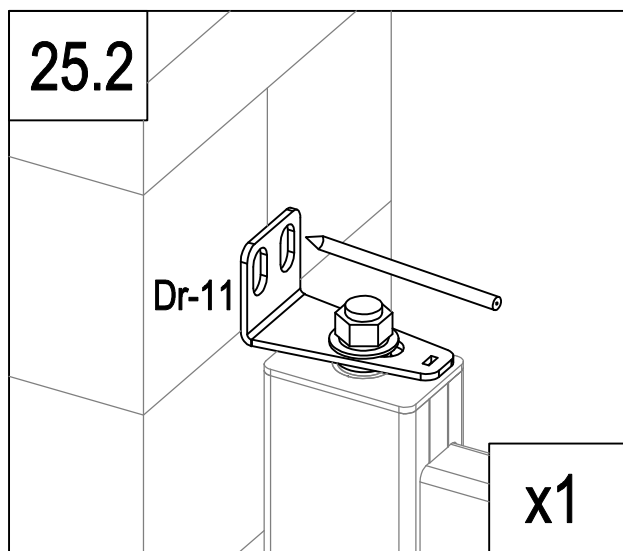
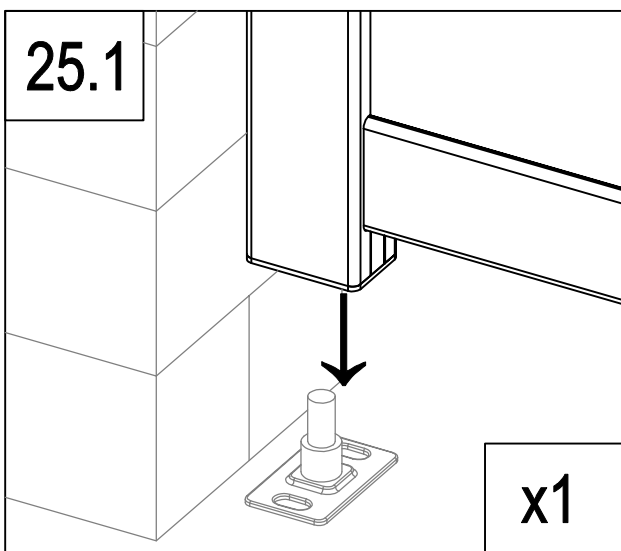
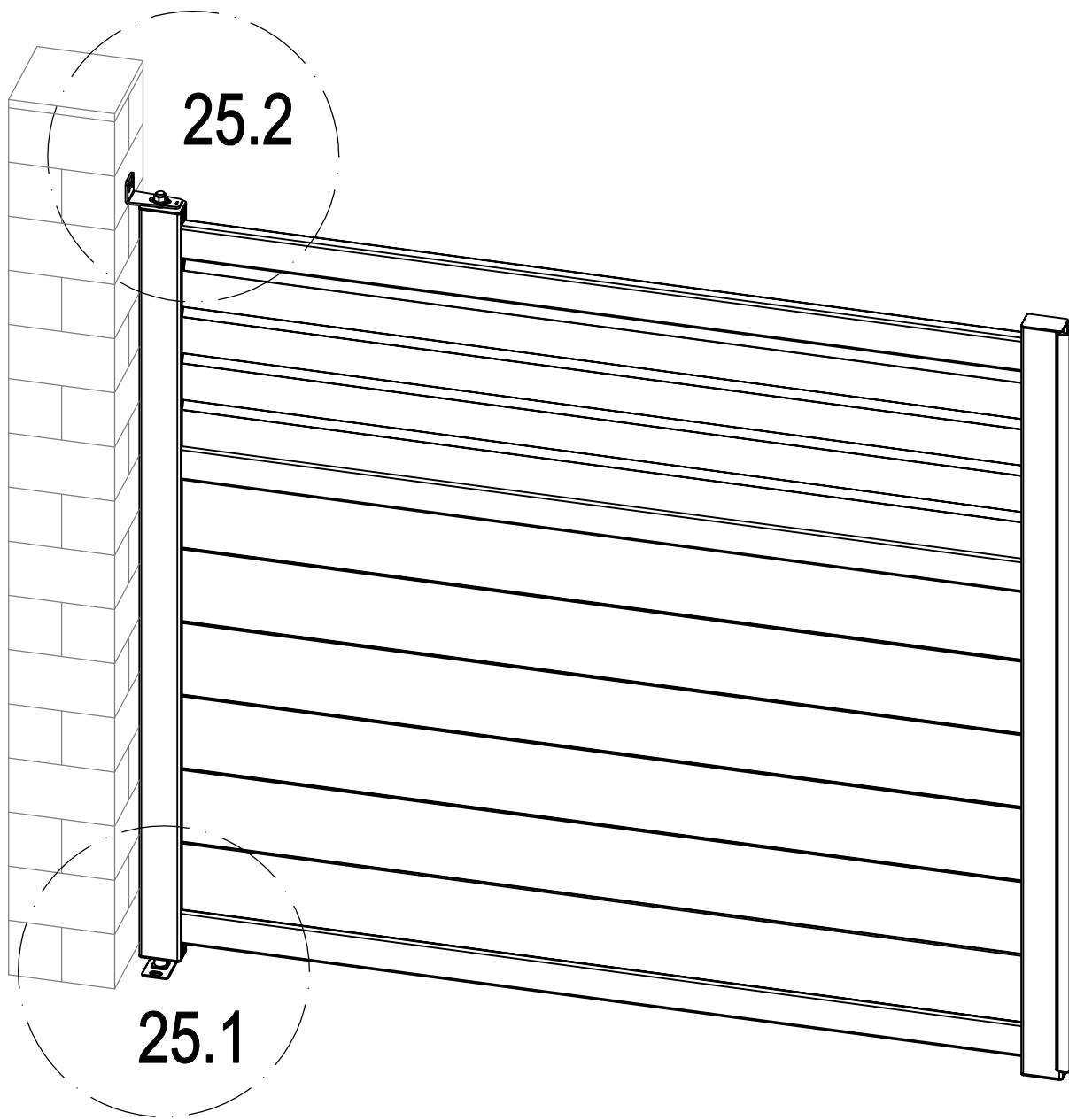



	Dr-20	1
	Dr-21	1
	Dr-22	1
	Dr-25	1

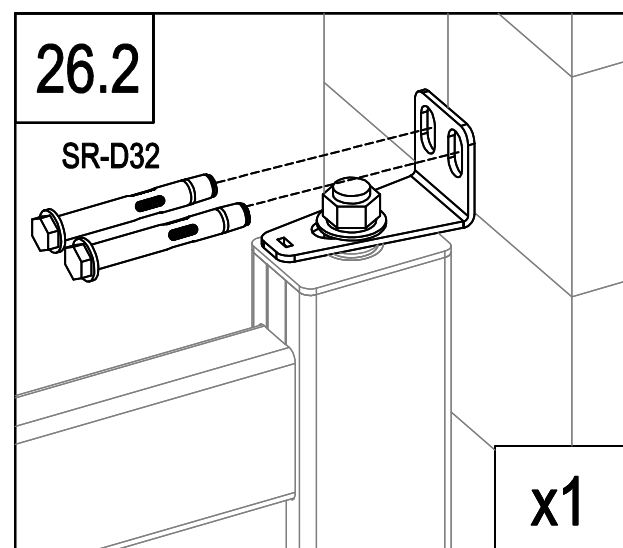
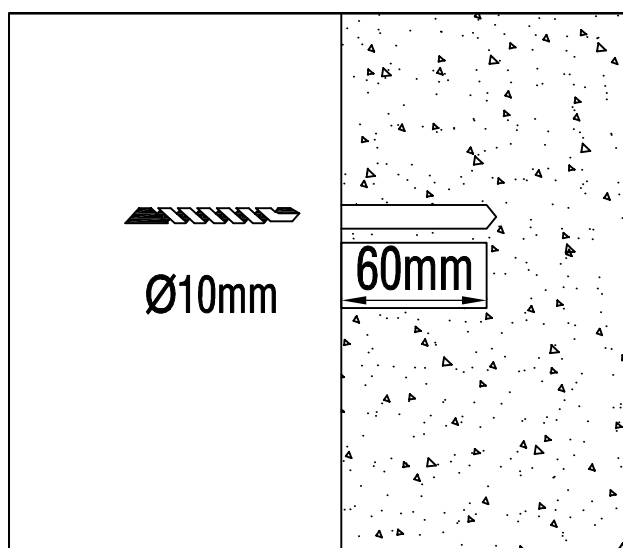
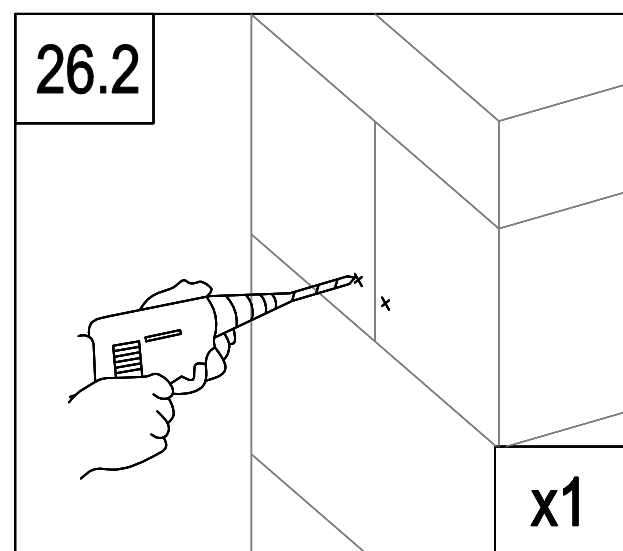
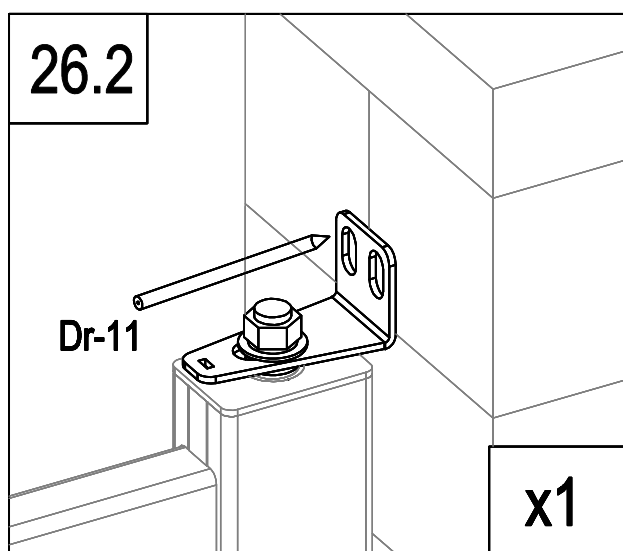
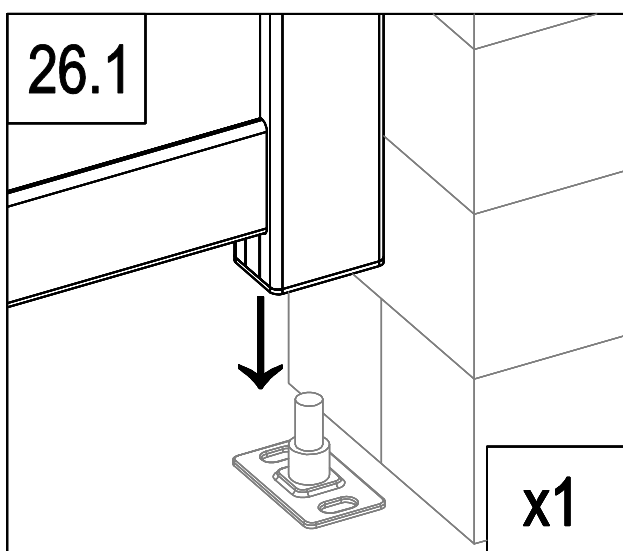
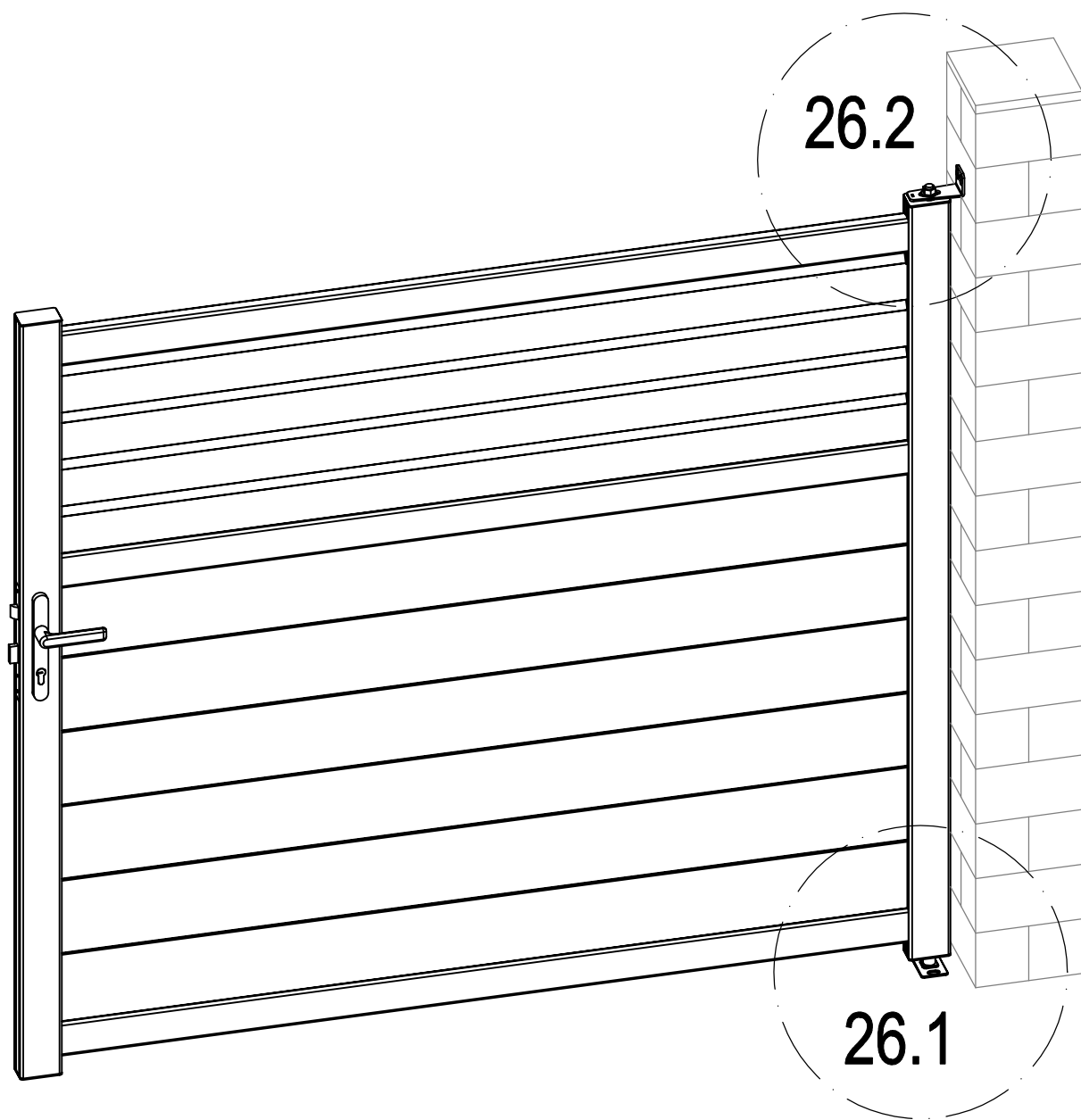
	Dr-18	1
	Dr-19	1
	Dr-25a	2
	Dr-27	2

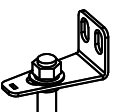



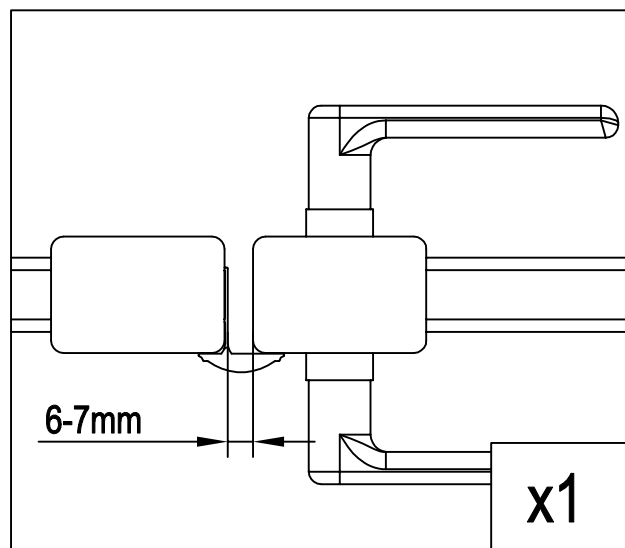
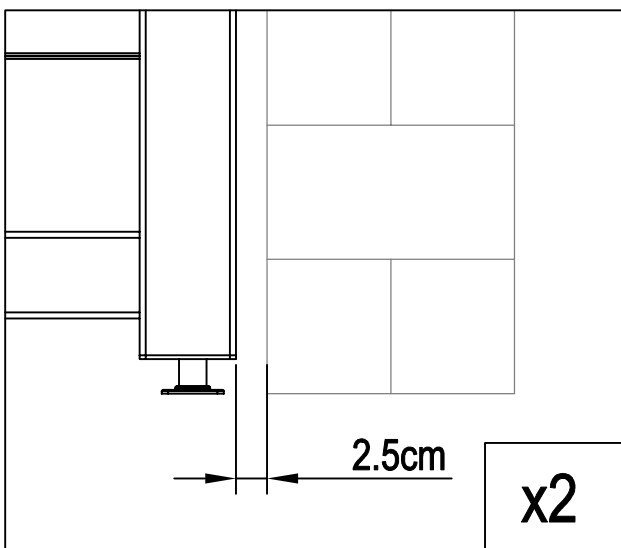
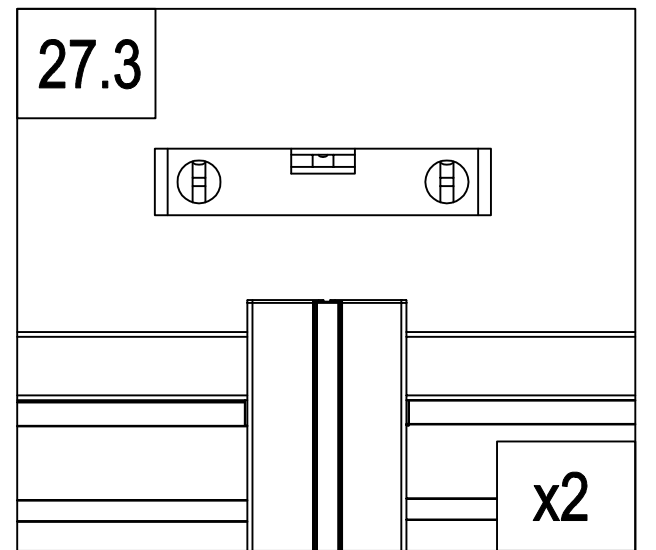
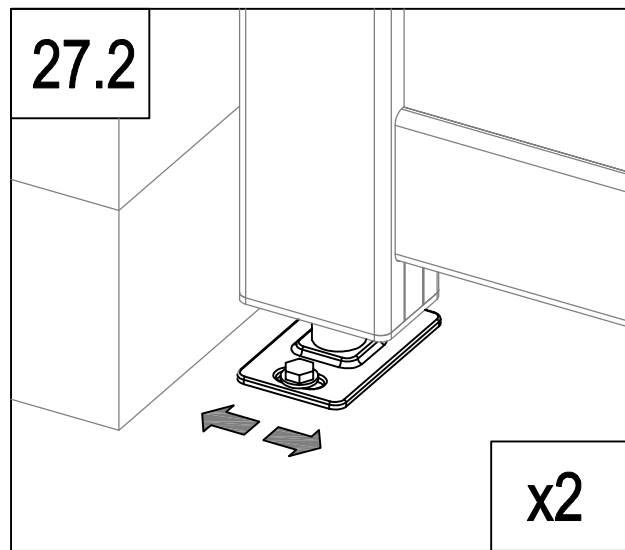
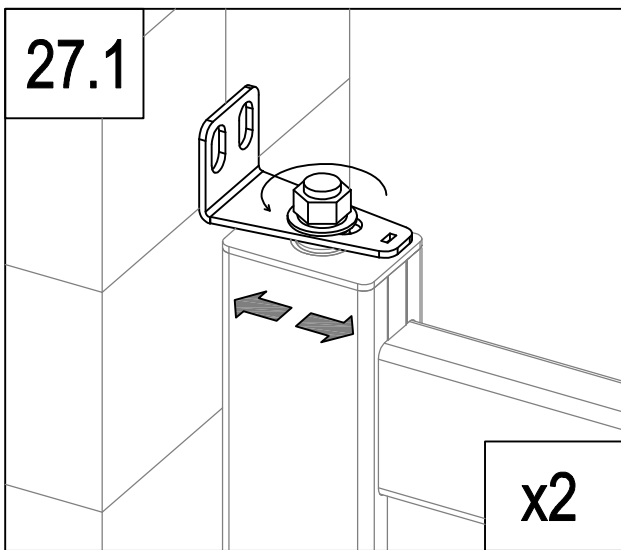
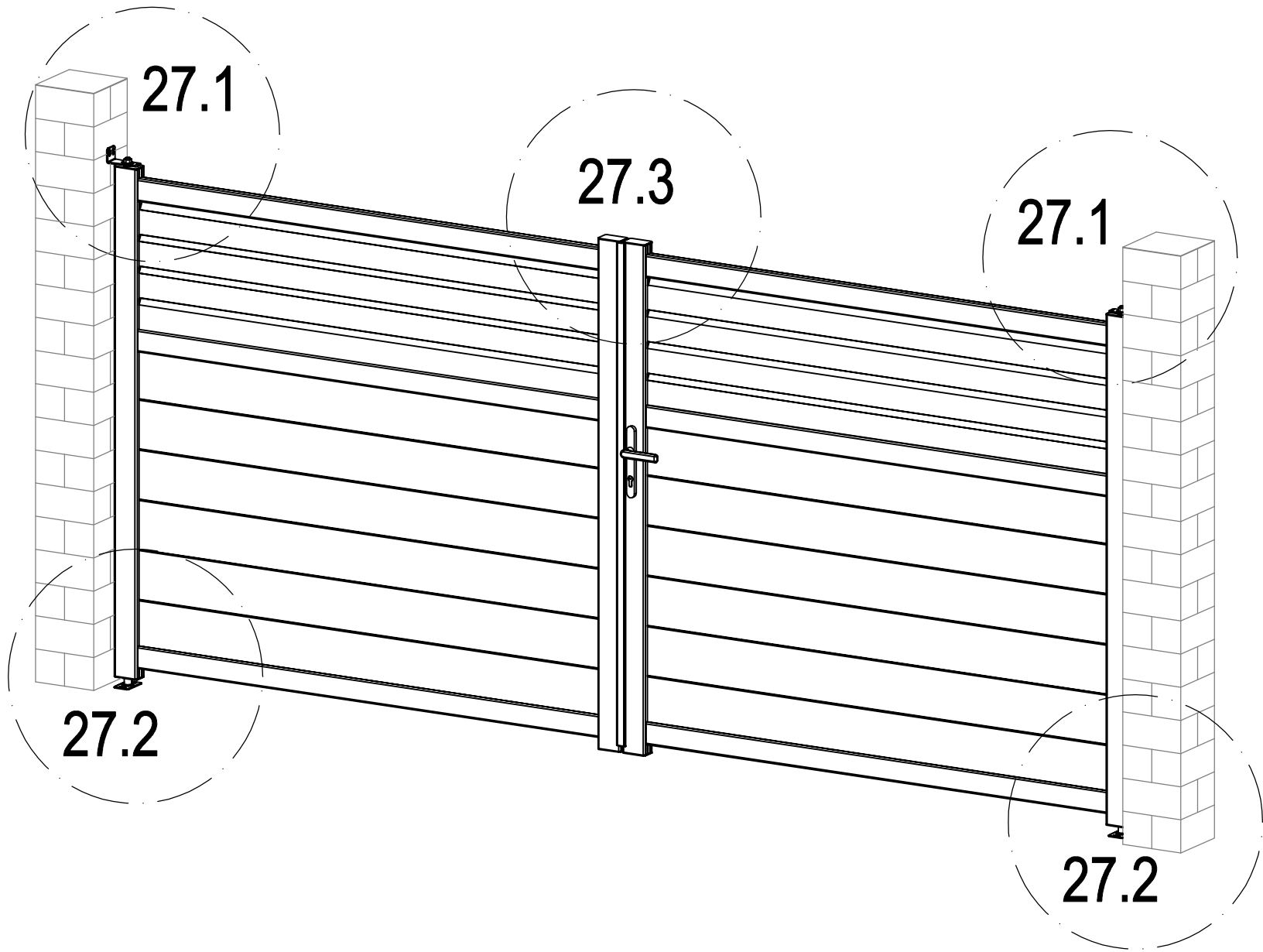
	Dr-12	2
	SR-D32	4

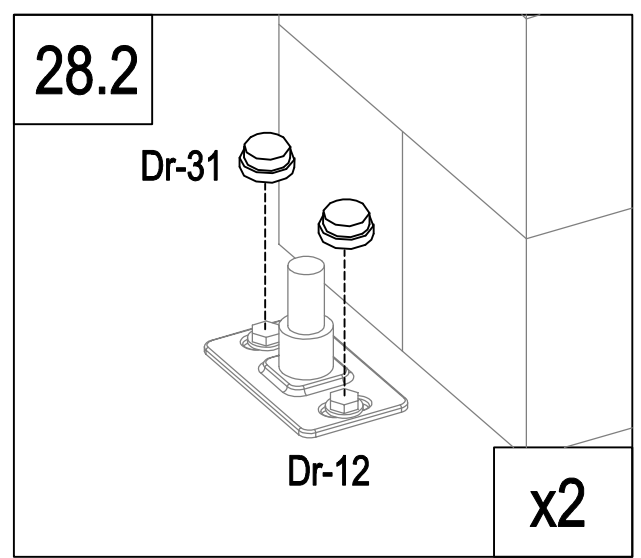
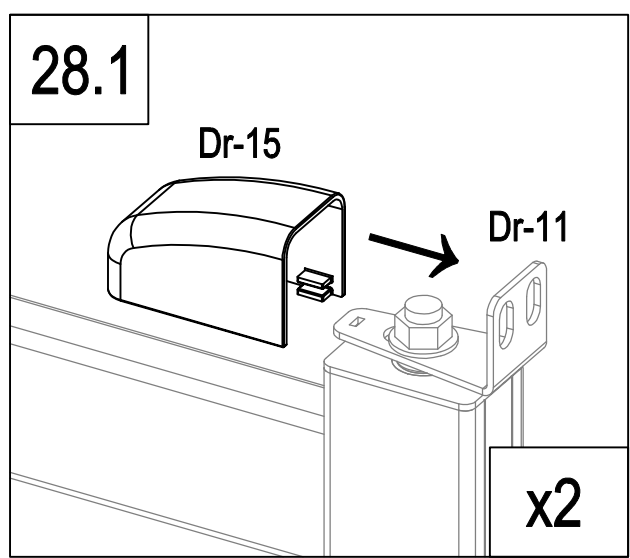
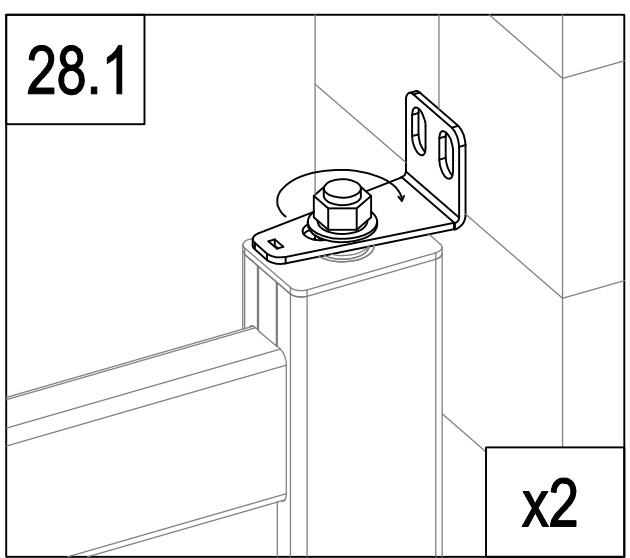
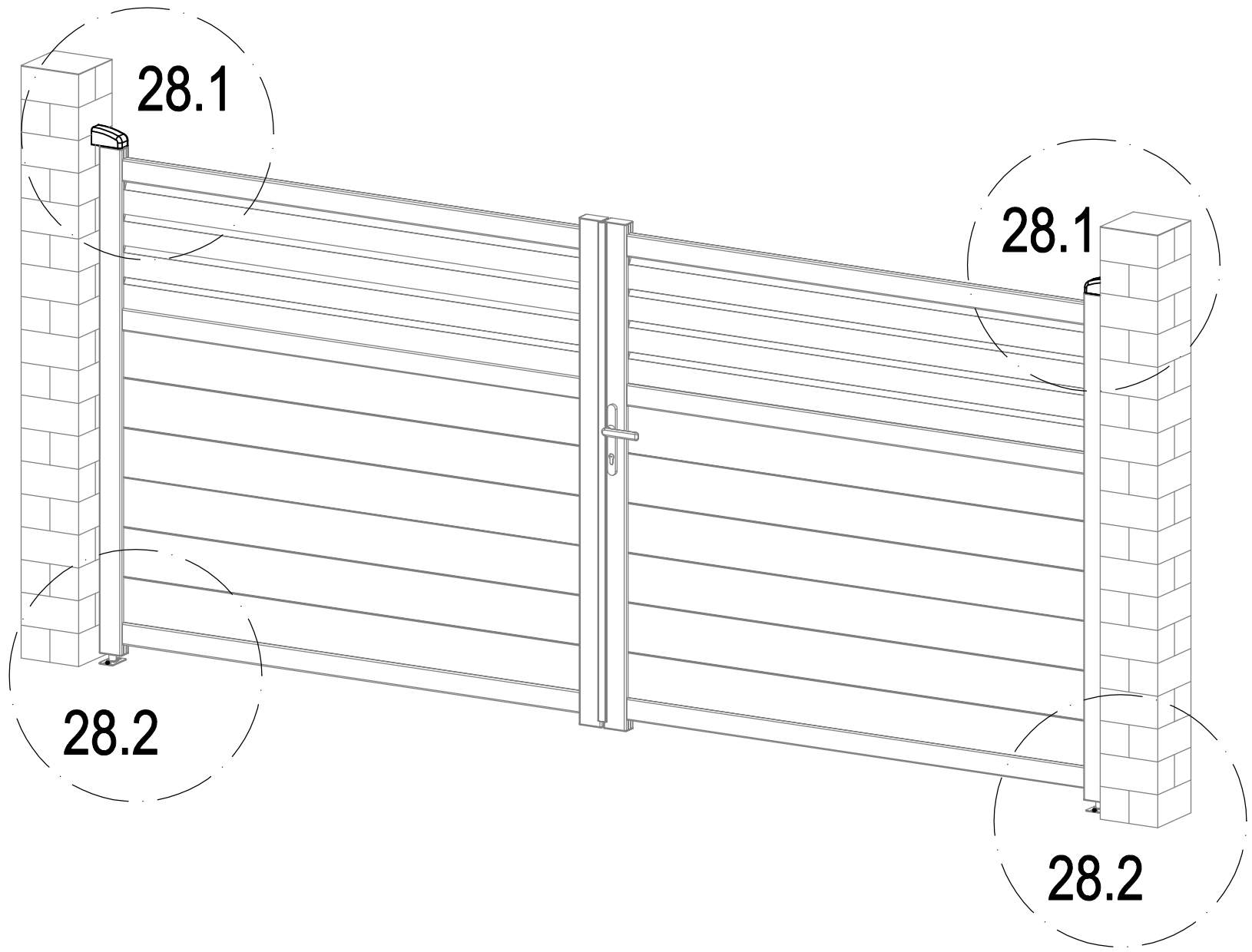


	Dr-11	1
	SR-D32	2

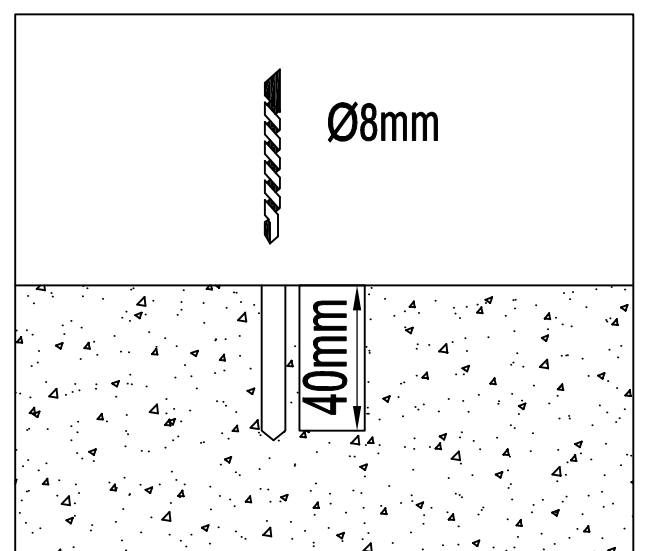
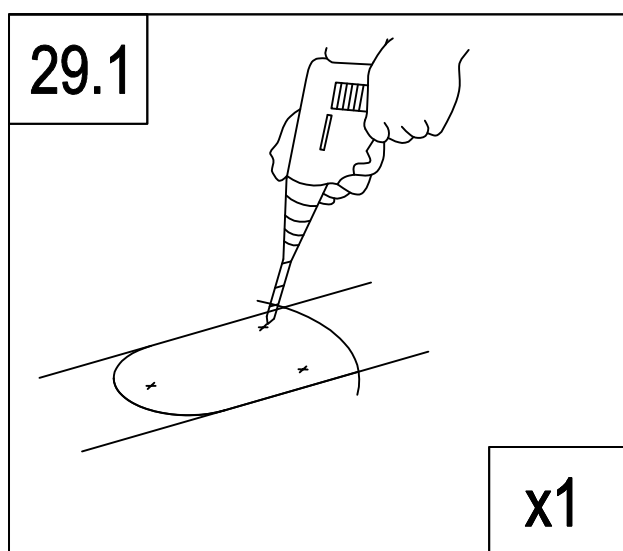
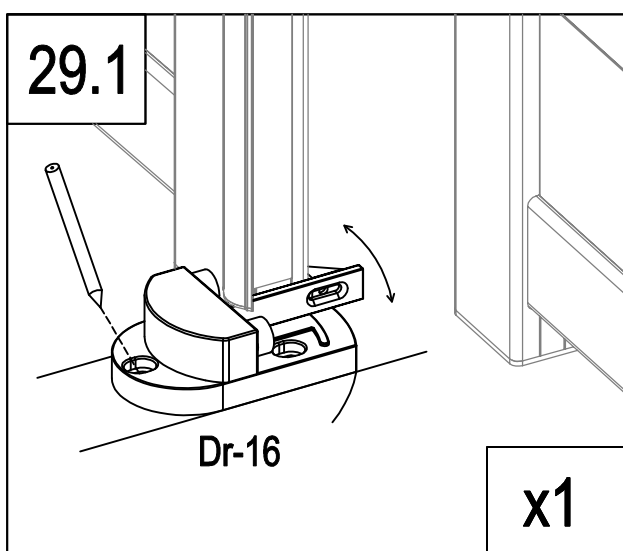
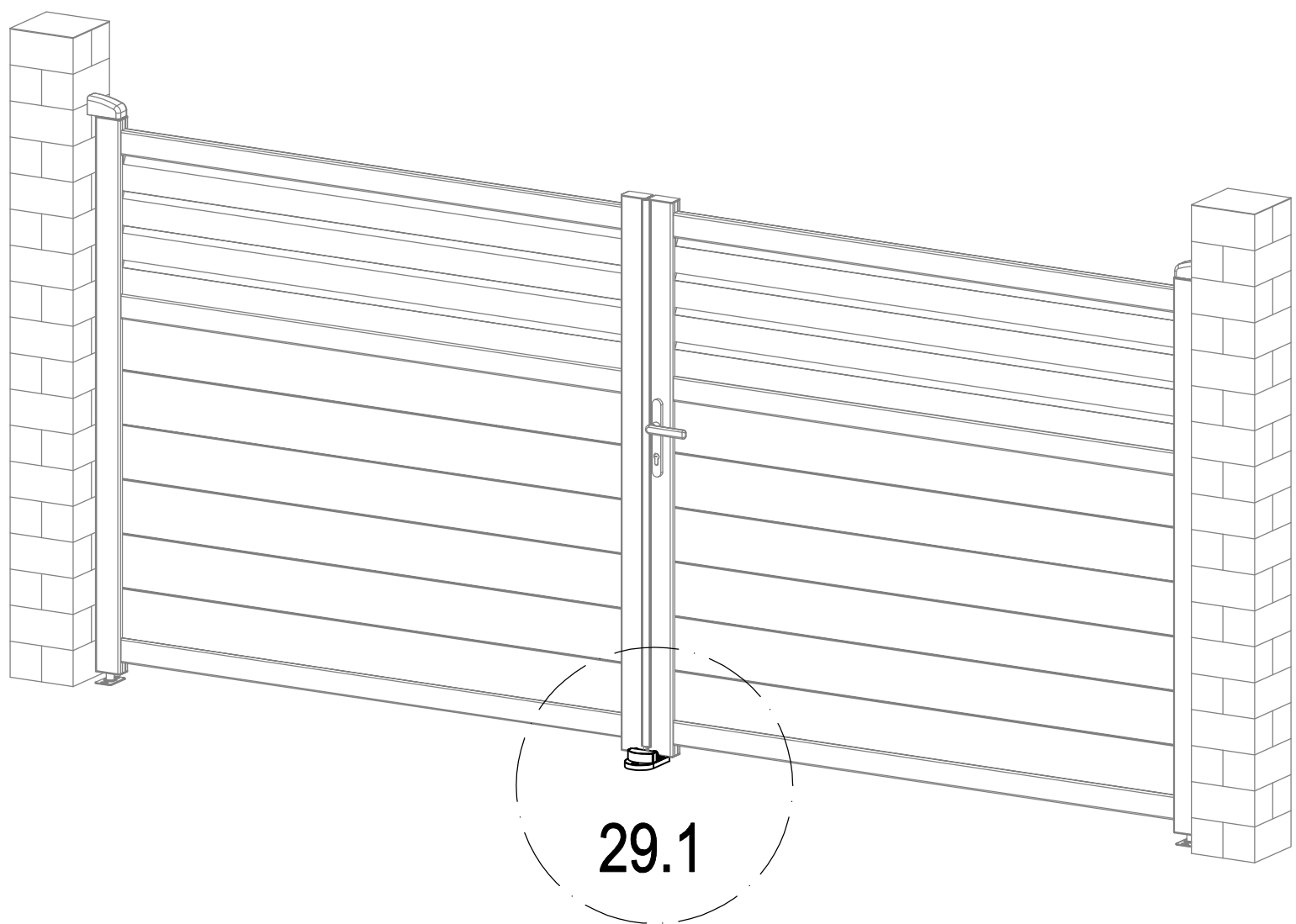


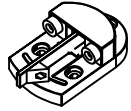


	Dr-11	1
	SR-D32	2

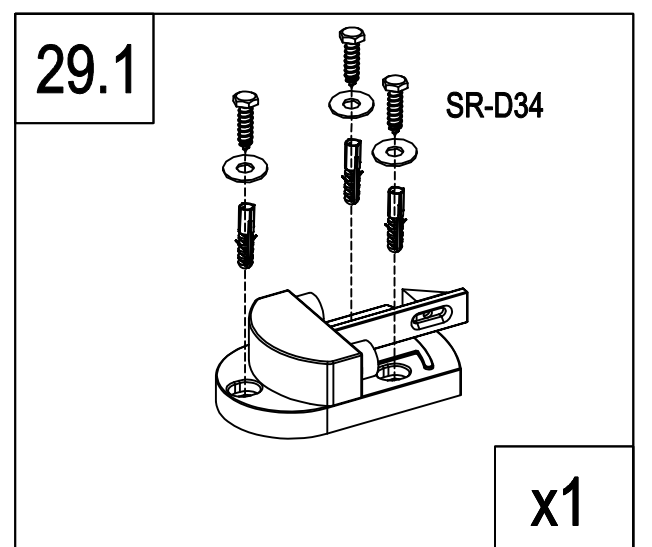


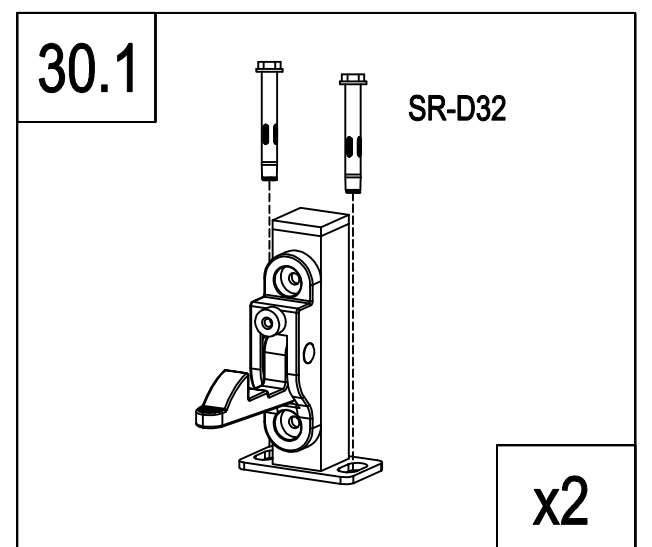
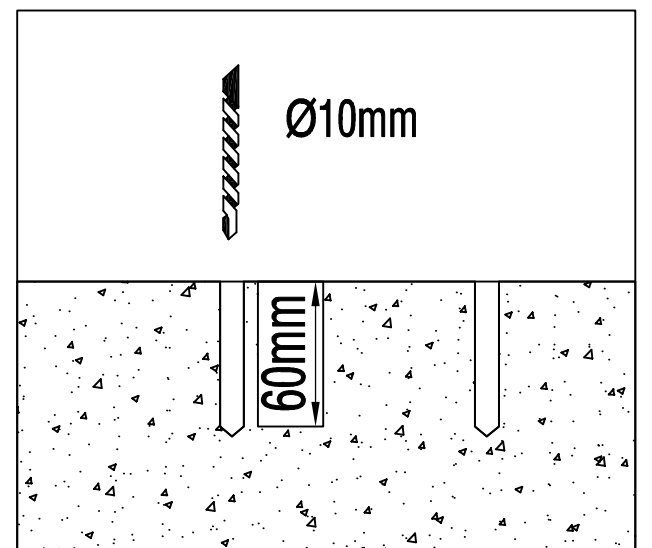
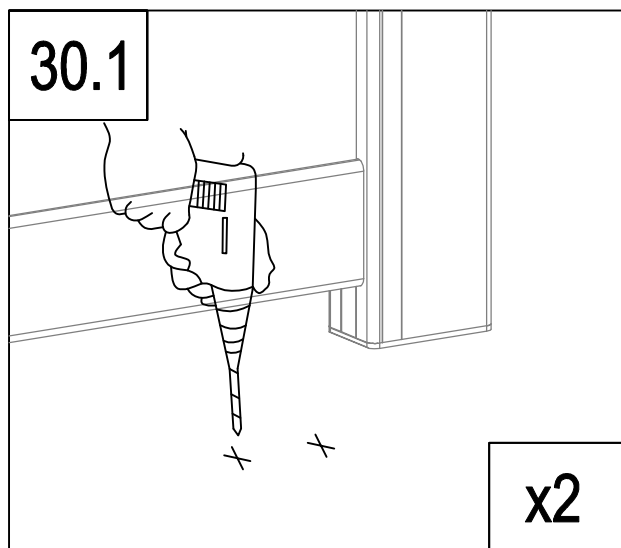
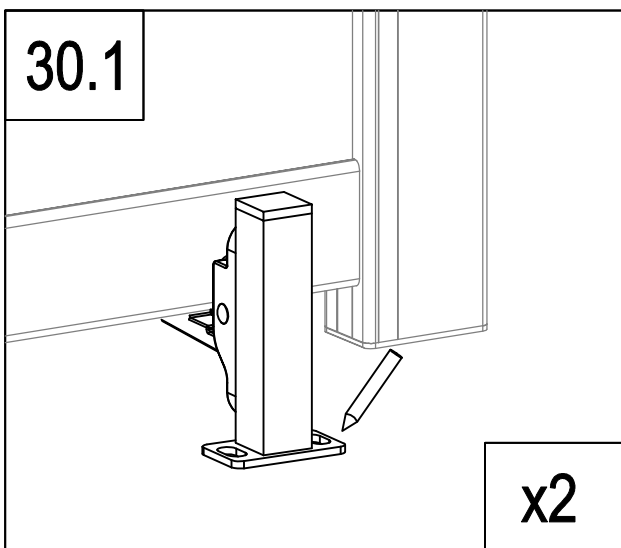
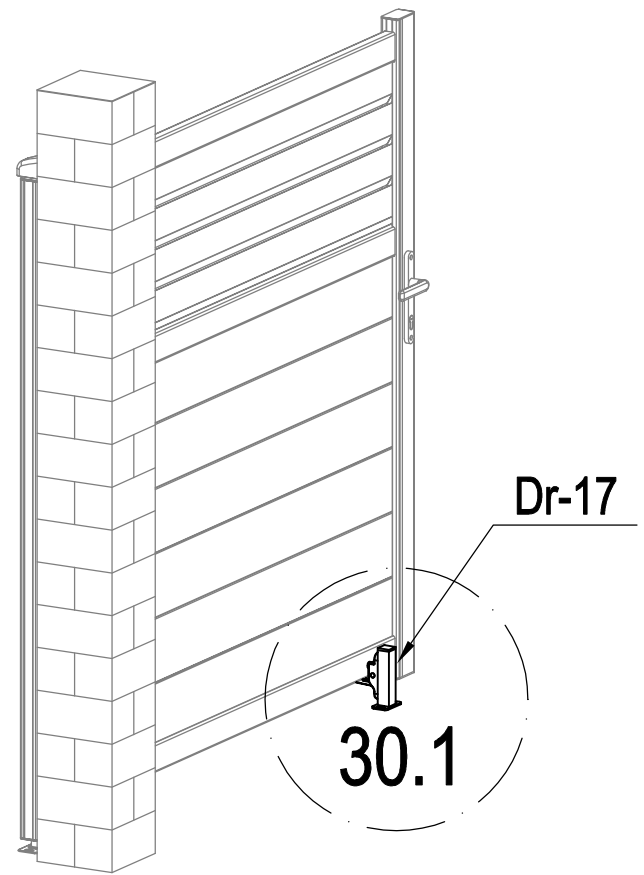
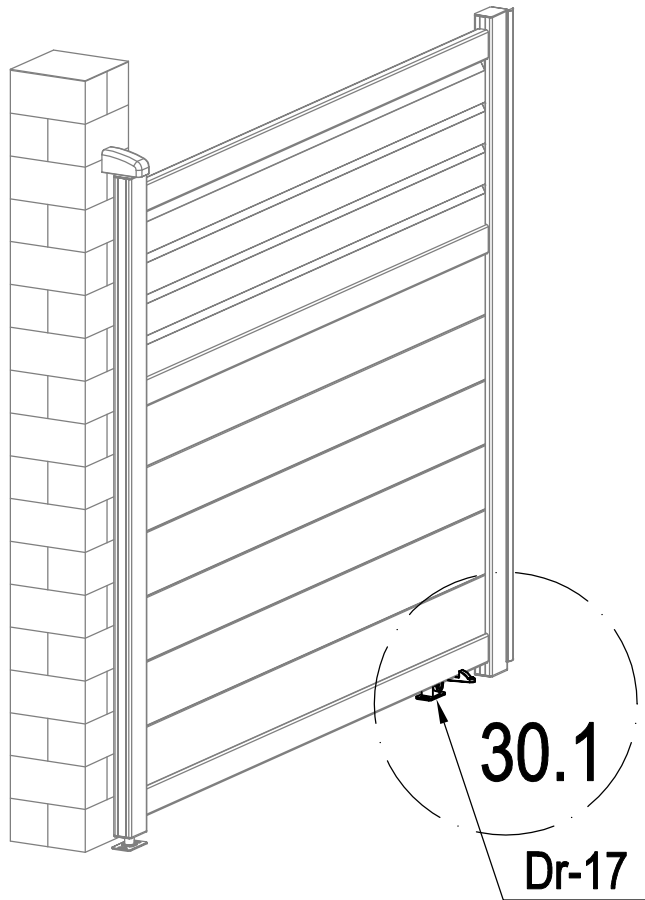



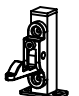
	Dr-15	2
	Dr-31	4



	Dr-16	1
	SR-D34	3
	SR-D35	3





	SR-D32	4
	Dr-17	2