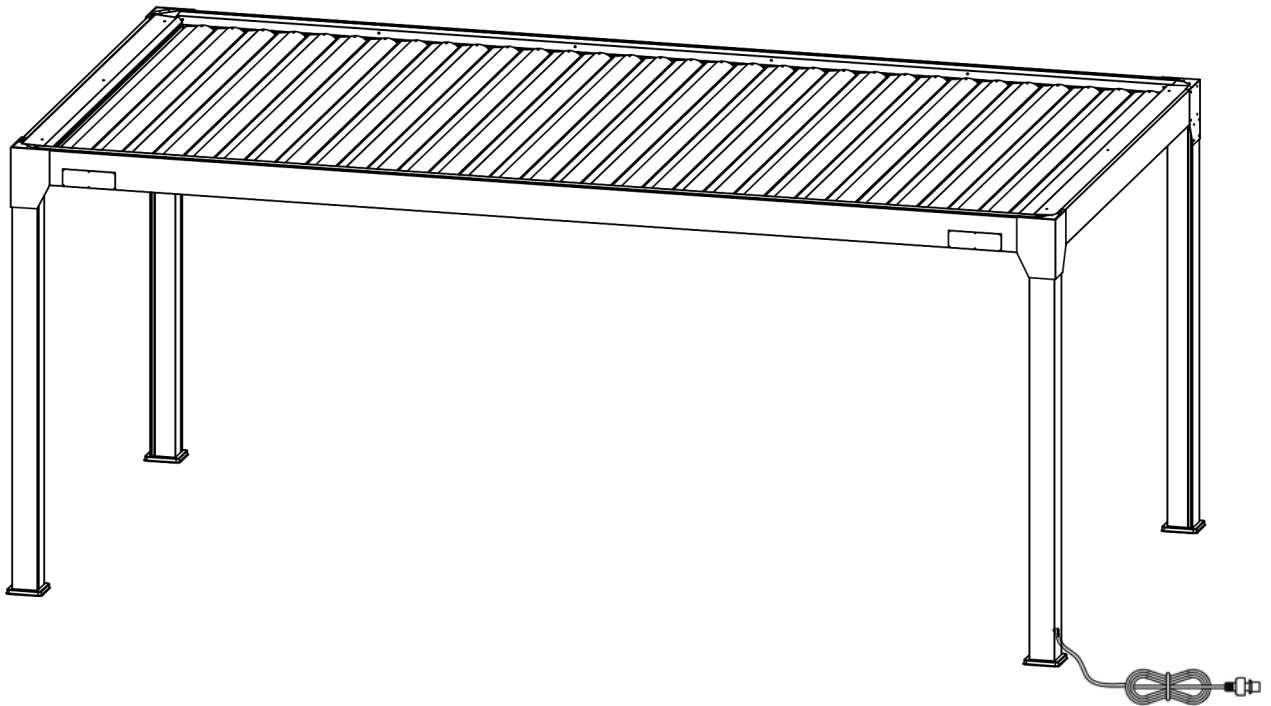


ASSEMBLY

INSTRUCTIONS

RETRACTABLE BIOCLIMATIC PERGOLA 6X3

PR18E6X3DNS



Before starting assembly of your product, make sure you wear the necessary personal protective equipment and consult the assembly instructions.



sav@green-outside.com



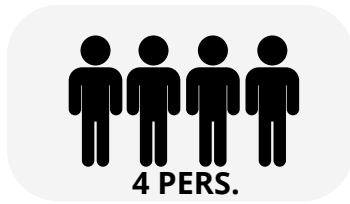
LE TRI + FACILE NOTICE PAPIER & CARTON



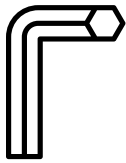
TABLE OF CONTENTS

1. SAFETY INFORMATION AND INSTRUCTIONS	-----	P.3
1.1 Tools needed	-----	p.3 p.3
1.2 Safety instructions	-----	p.3
1.3 Unpacking and checking the contents	-----	p.3
1.4 Maintenance Tips	-----	
2. INSTALLATION	-----	P.4
3. LIST OF COMPONENTS	-----	P.5
3.1 Structural Components	-----	p.5
3.2 Screws and accessories	-----	p.6
4. ASSEMBLING THE PERGOLA	-----	P8
5. REMOTE CONTROL INFORMATION	-----	P.24
5.1 Remote control operation	-----	p.24
5.2 Use and features of the remote control	-----	p.25
6. TROUBLESHOOTING & FREQUENTLY ASKED QUESTIONS	-----	P.26
7. WARRANTY AND CONTACT	-----	P.28

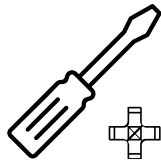
1. SAFETY INFORMATION AND INSTRUCTIONS



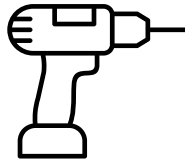
1.1 Tools needed



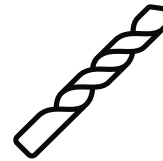
1 Allen key Ø4
(INCLUDED)



1 Phillips
screwdriver (PH1)



1 hammer drill / rotary
hammer



1 concrete
drill bit
Ø10



1 stepladder / person

1.2 Safety instructions

To ensure the safe assembly of your product, certain rules must be followed:

- Wearing personal protective equipment is strongly recommended (gloves, safety shoes, goggles, etc.)
- Keep children away from the construction site
- Choose a suitable location for mounting your product (flat, hard ground allowing for solid anchoring, not subject to strong winds)
- Ensure that the fixing points do not coincide with cable passages, conduits or other pipes.
- In the case of installing a pergola, provide a ground with a 1% slope to allow for the drainage of rainwater.
- Do not attempt assembly in adverse weather conditions (rain, wind, snow, etc.)
- In case of bad weather (wind, rain, snow) it is recommended to keep the blades in a semi-open position to promote airflow and prevent snow accumulation.

1.3 Unpacking the product

When opening the boxes, be careful not to use a box cutter or any blade that could damage the product. The boxes are labeled with the components inside. Make sure you have all the items listed in the components list and that they are correct before you begin assembling your product.

1.4 Maintenance Tips

- We recommend regularly cleaning your product by removing leaves, branches, or other elements that could impair its proper functioning.
- Your product can be cleaned with soapy water.
- Never use a high-pressure cleaner, corrosive products, or solvents.

In the event that a component is missing, damaged, or if you have any doubts, please contact Green Outside customer service:
sav@green-outside.com

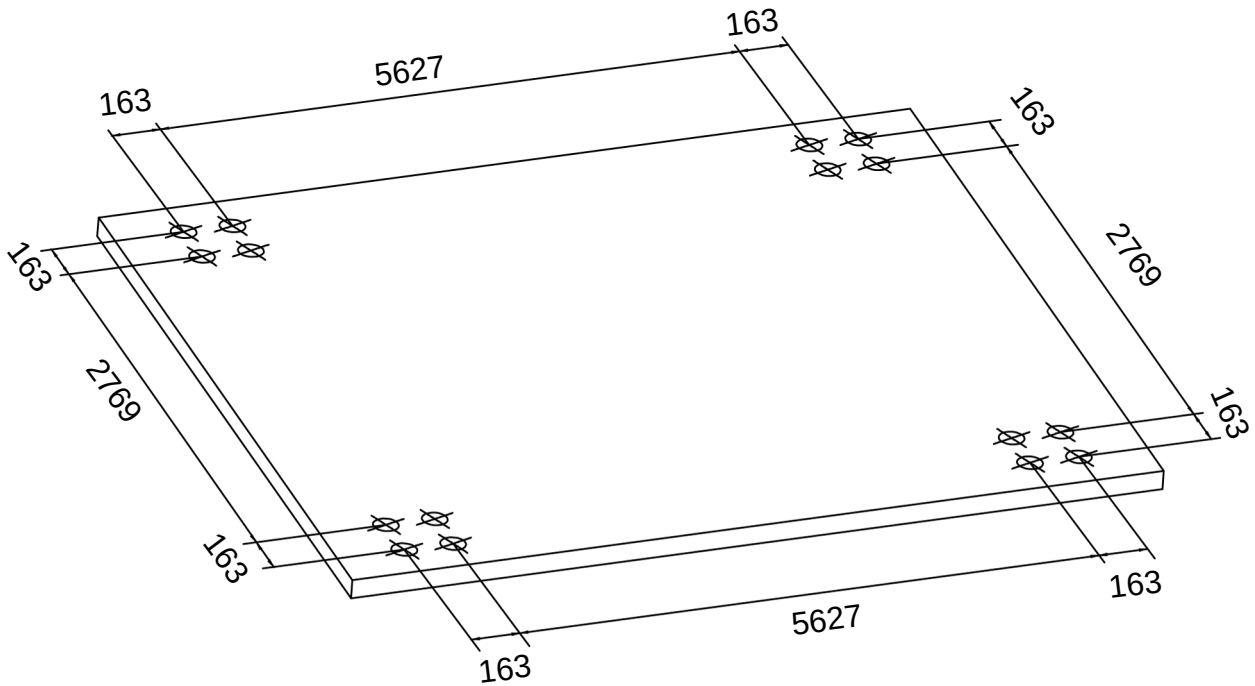
2. Installation

To ensure easy assembly, an assembly area the size of the pergola + 1 meter minimum is required. Use floor protection to prevent scratches.

To accommodate your pergola, ensure that you provide a ground with a 1% slope to allow for rainwater drainage. Below you will find the drilling center distances to anchor your pergola to the ground once its assembly is complete.

IMPORTANT: Accessories such as curtains and panels must be installed only after the product assembly is fully complete and anchored to the ground.

- Dimensions in millimeters (mm)












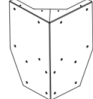
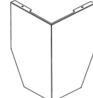
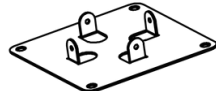
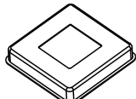

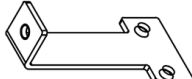
Find all our video tutorials by clicking on the following link
<https://www.youtube.com/@greenoutside8067>

or by scanning the QR code

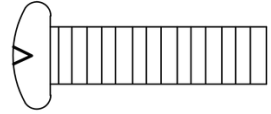
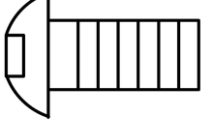
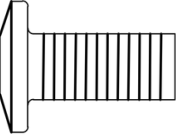
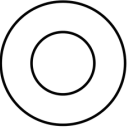
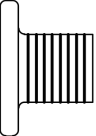
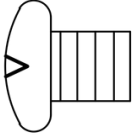
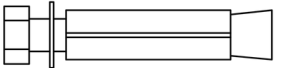
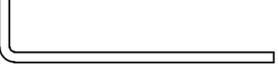
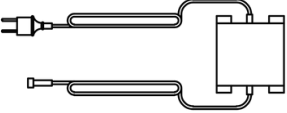
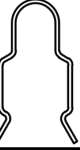
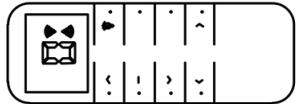


3. List of components

3.1 Structural Components



Reference	Component	Quantity	Representation
A1	Post	3	
A2	Pole with power connector	1	
B1	Longitudinal beam with multiple connectors	1	
B2	Longitudinal beam with simple connection	1	
C1	Side beam connector	1	
C2	Side beam	1	
C3	Side beam cover	2	
D1	3m roof blade	32	
D2	3m finishing blade	1	
AND	Beam fixing angle bracket	4	
F	Corner hood	4	
G	Post mounting plate	4	
H	Foot hood	4	
I	Top finishing plate	4	
J	Blade spacer	6	

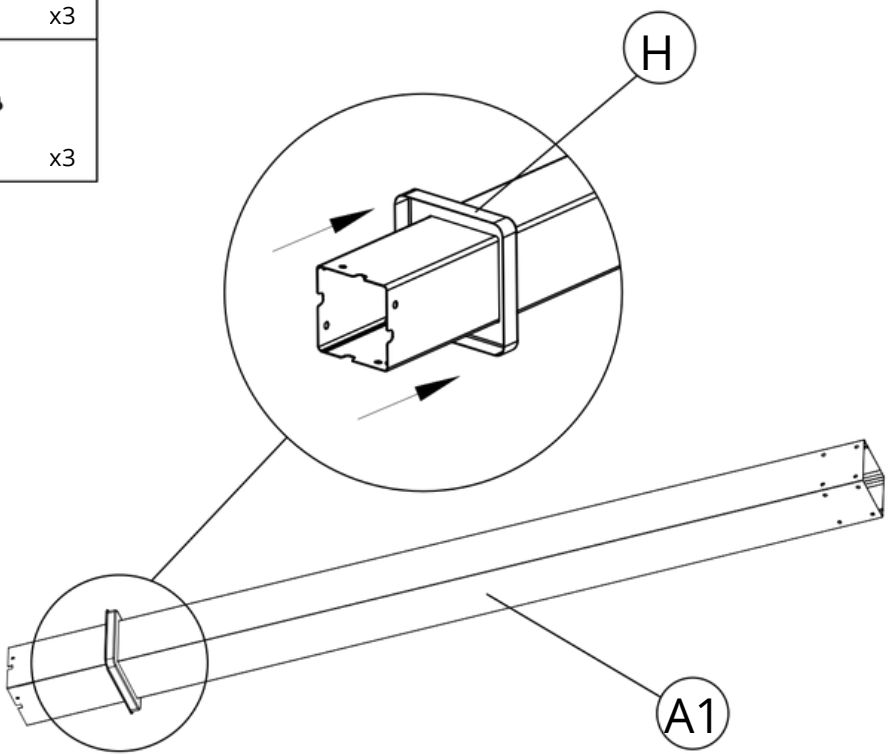
3.2 Screws & Accessories Components



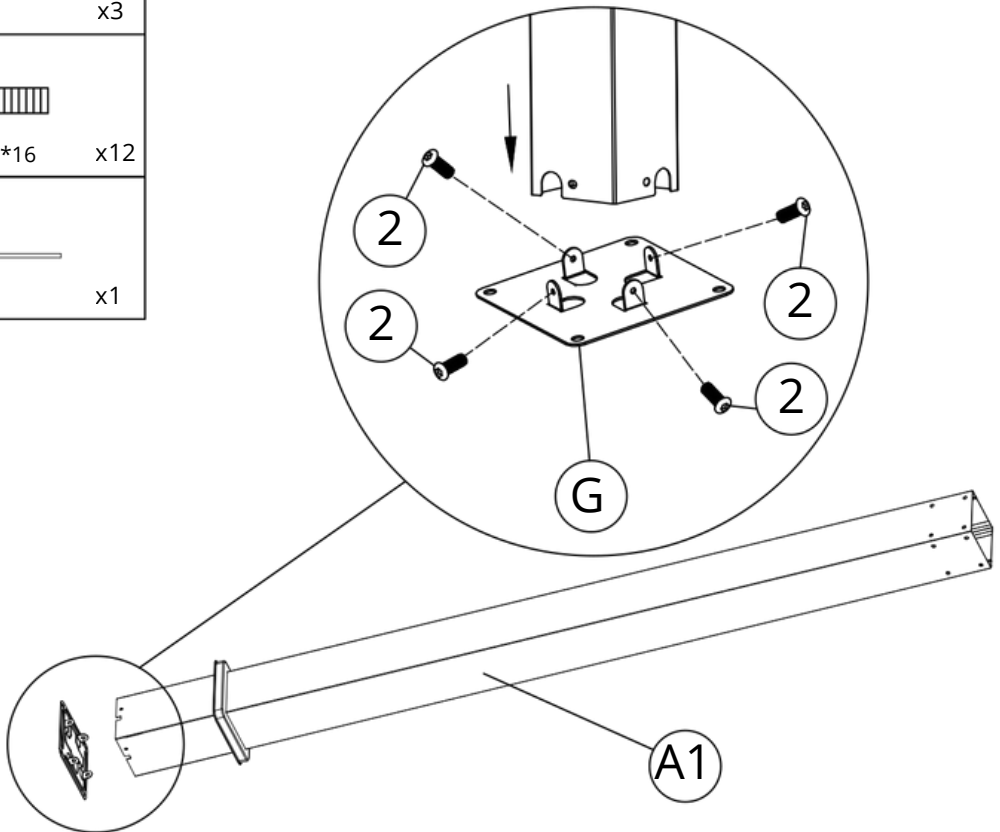
1	Show M5*25	132	
2	Vis M6*16	16	
3	Vis M6*16	64	
4	Rondelle Ø5	132	
5	Show M4*4	16	
6	Show M5*8	18	
7	Anchor + screw M8*60	16	
8	Allen key 4	1	
	Transformer - 24V 400W	1	
L	Engine mount	2	
	LCD screen remote control	1	


*Important Note: The graphic representations (sketches, diagrams, and photos) in this document are not contractual and are provided for illustrative purposes only. They may differ from the final product.

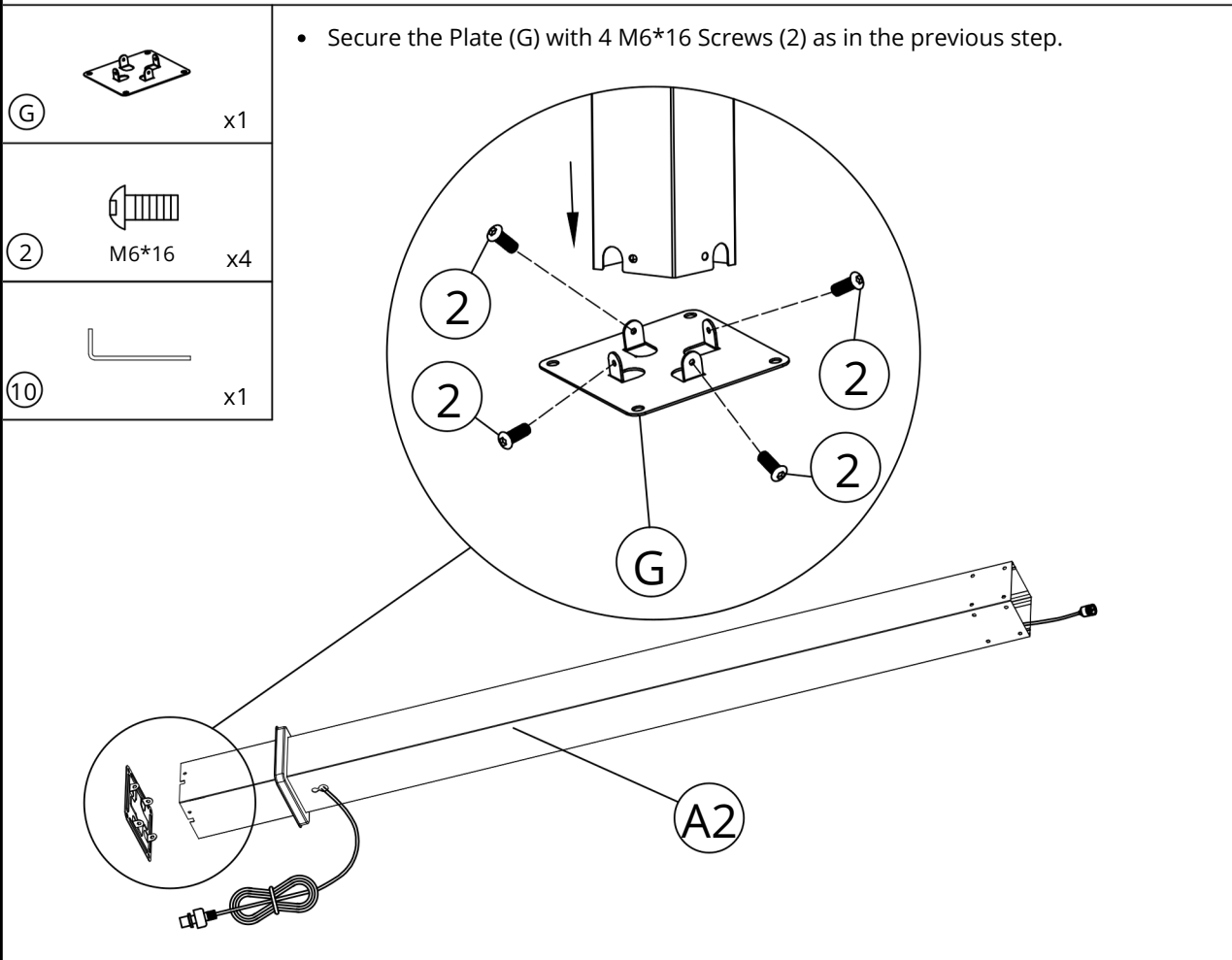
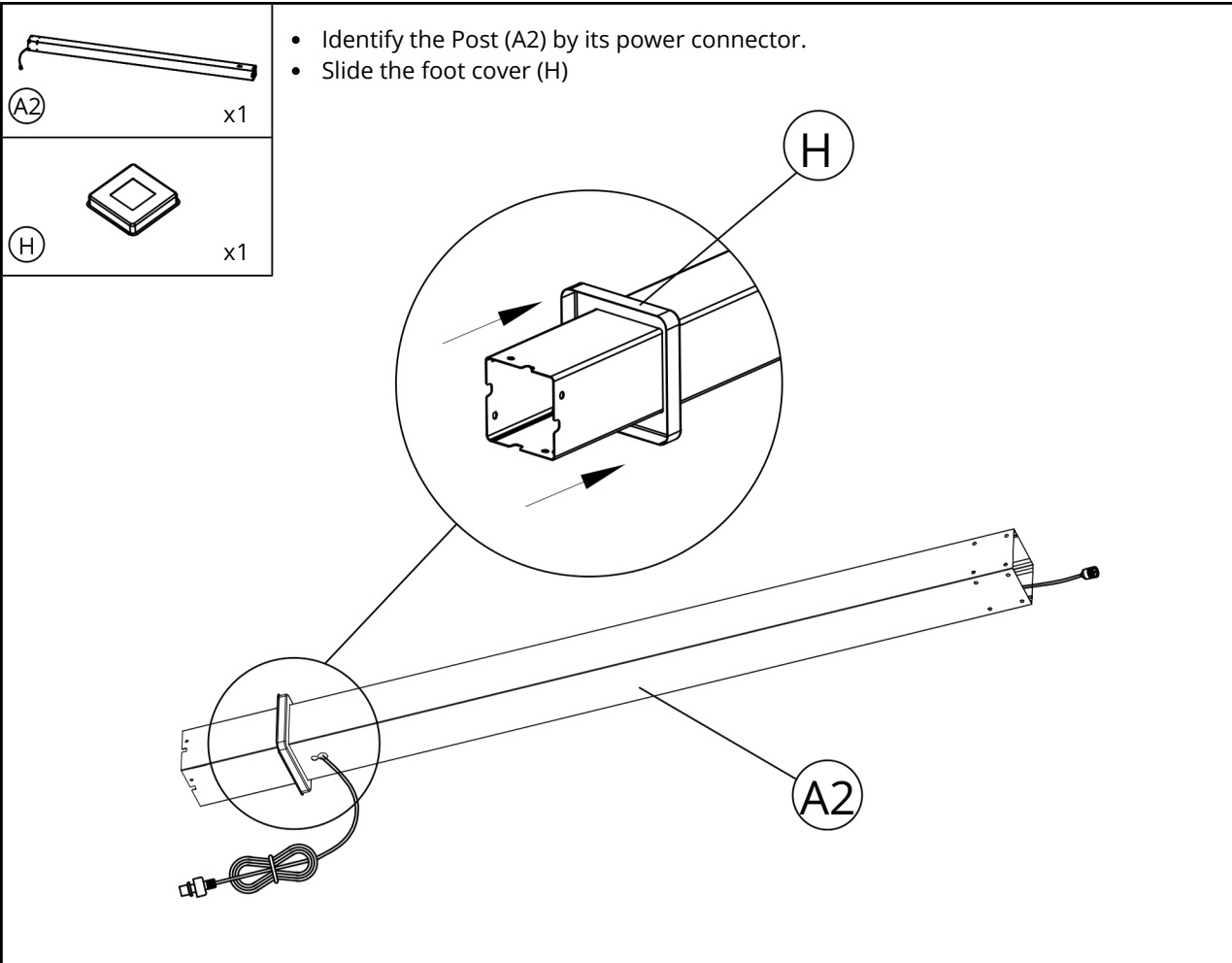
4. Assembling the pergola






 (A1) x3	<ul style="list-style-type: none"> Slide the Foot Cap (H) through the bottom of each Post (A1).
 (H) x3	




 (G) x3	<ul style="list-style-type: none"> Position the fixing plate (G) at the lower end of the post. Screw the plate to the post using 4 M6*16 screws (2). Repeat this operation for the three standard posts (A1).
 (2) M6*16 x12	
 (10) x1	





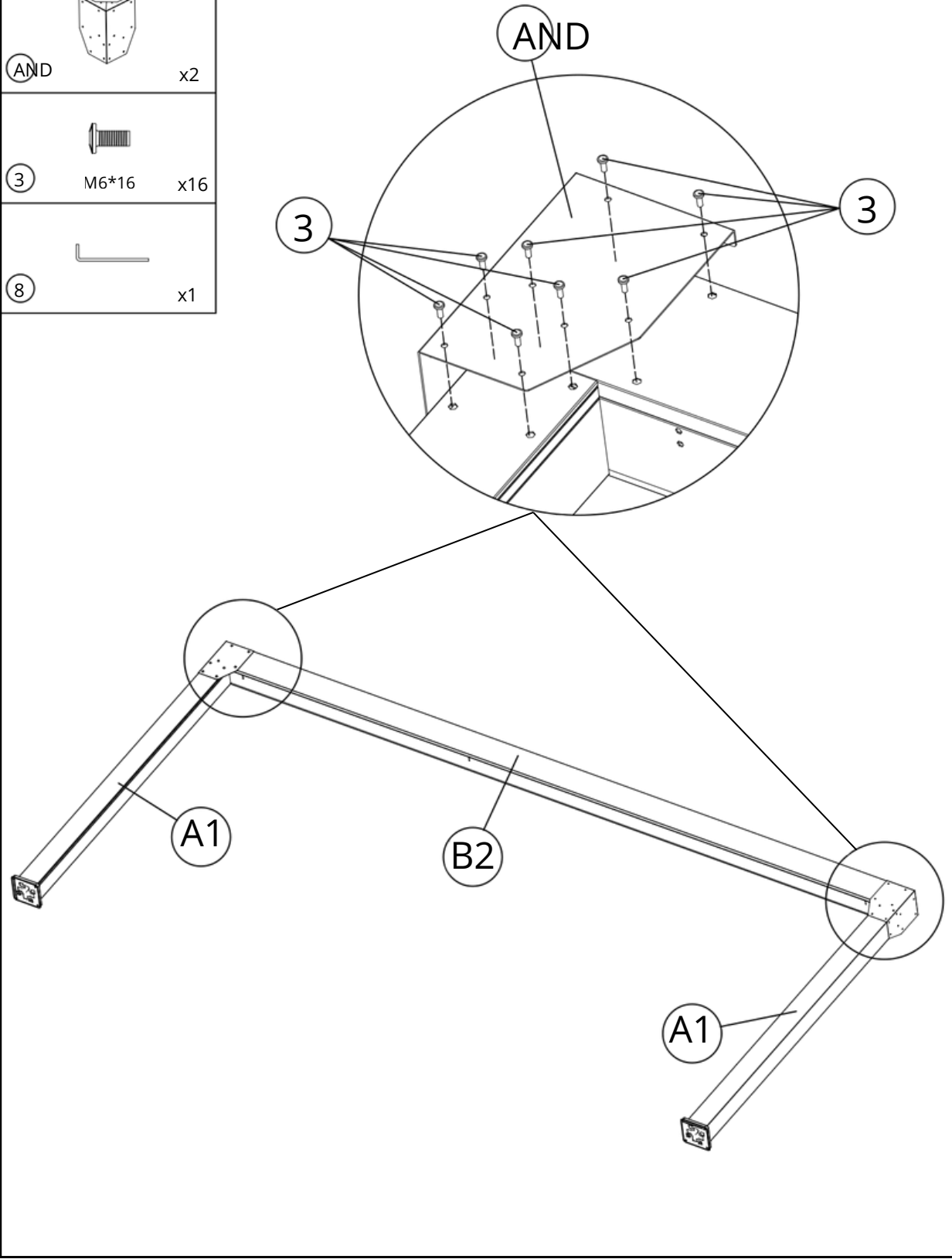
	A1	x2
	B2	x1
	AND	x2
	M6*16	x16
	8	x1






- On the ground, align two Posts (A1) with the longitudinal Beam (B2).
- Insert an angle bracket (E) into each corner.
- Secure the assembly with 16 M6*16 screws (3).



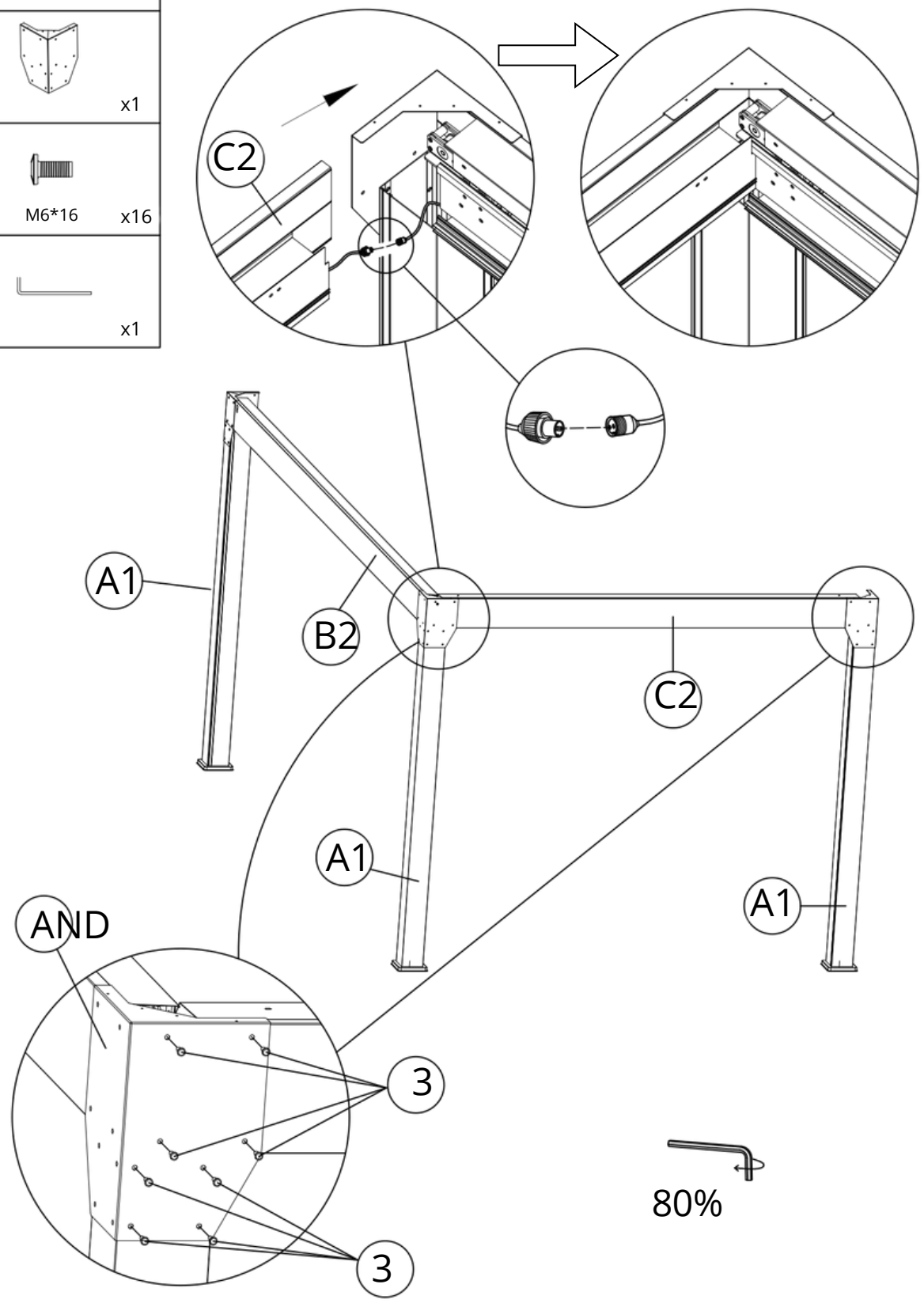
80%





Important: Only tighten the screws to 80% to allow for further adjustment.



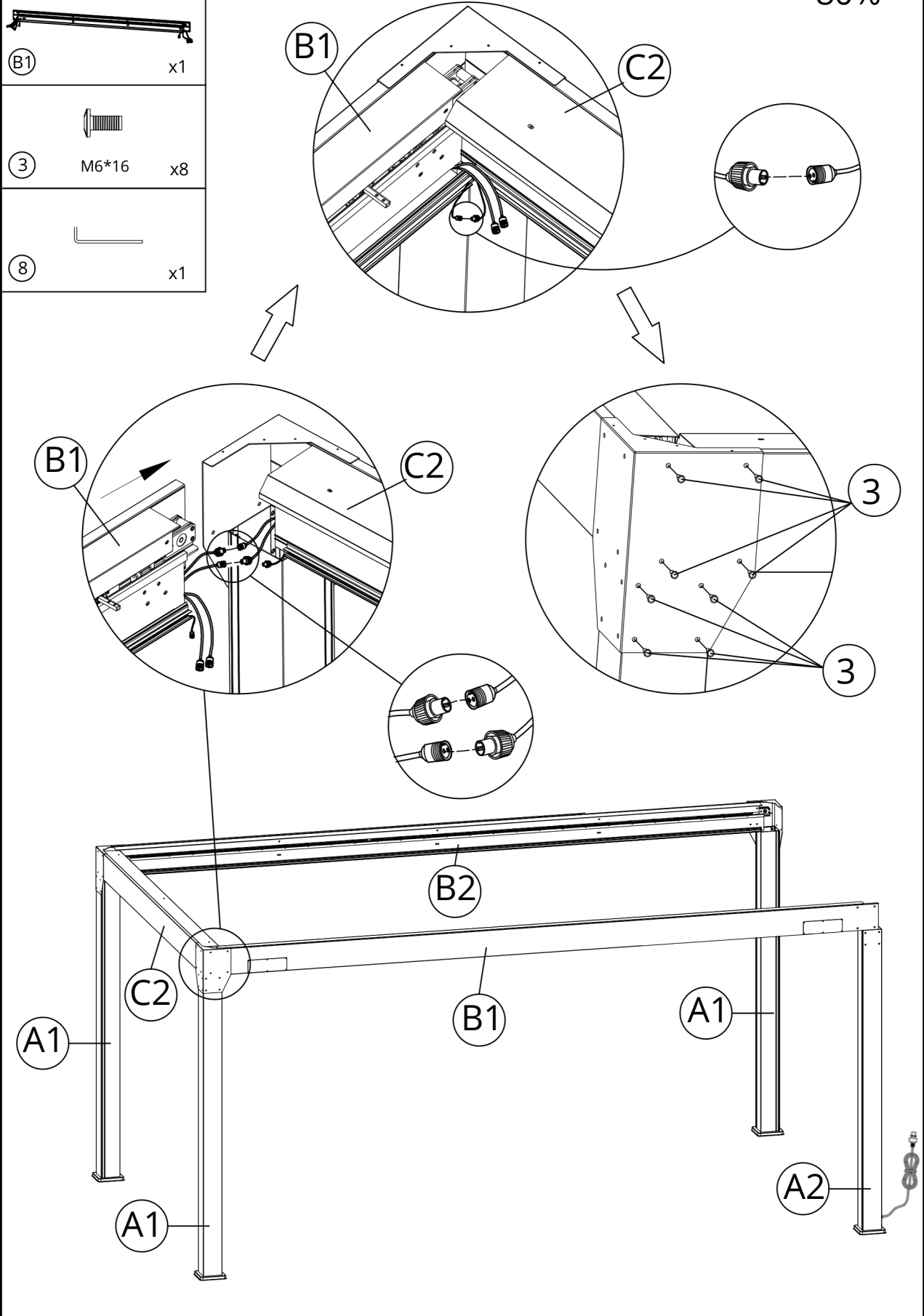
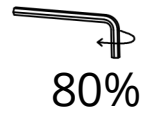
	(A1)	x1
	(C2)	x1
	(AND)	x1
	(3)	M6*16 x16
	(8)	x1




- Raise the previously assembled gantry.
- Connect the connector between (C2) and (B2) then fix the side beam (C2) perpendicular to one of the posts.
- Attach the last post (A1) to the other end of the side beam (C2).
- Use the angle bracket (E) and 16 M6*16 screws (3), maintaining the tightening at 80%.



	(A2)	x1
	(B1)	x1
	(3)	M6*16 x8
	(8)	x1

- Install the longitudinal beam (B1) opposite the beam B2.
- Place the post (A2) to close the rectangle.
- Connect the electrical cables (LED and Motor) located in the corners before fixing the profiles.
- Secure the elements with the screws (3) (tighten to 80%).

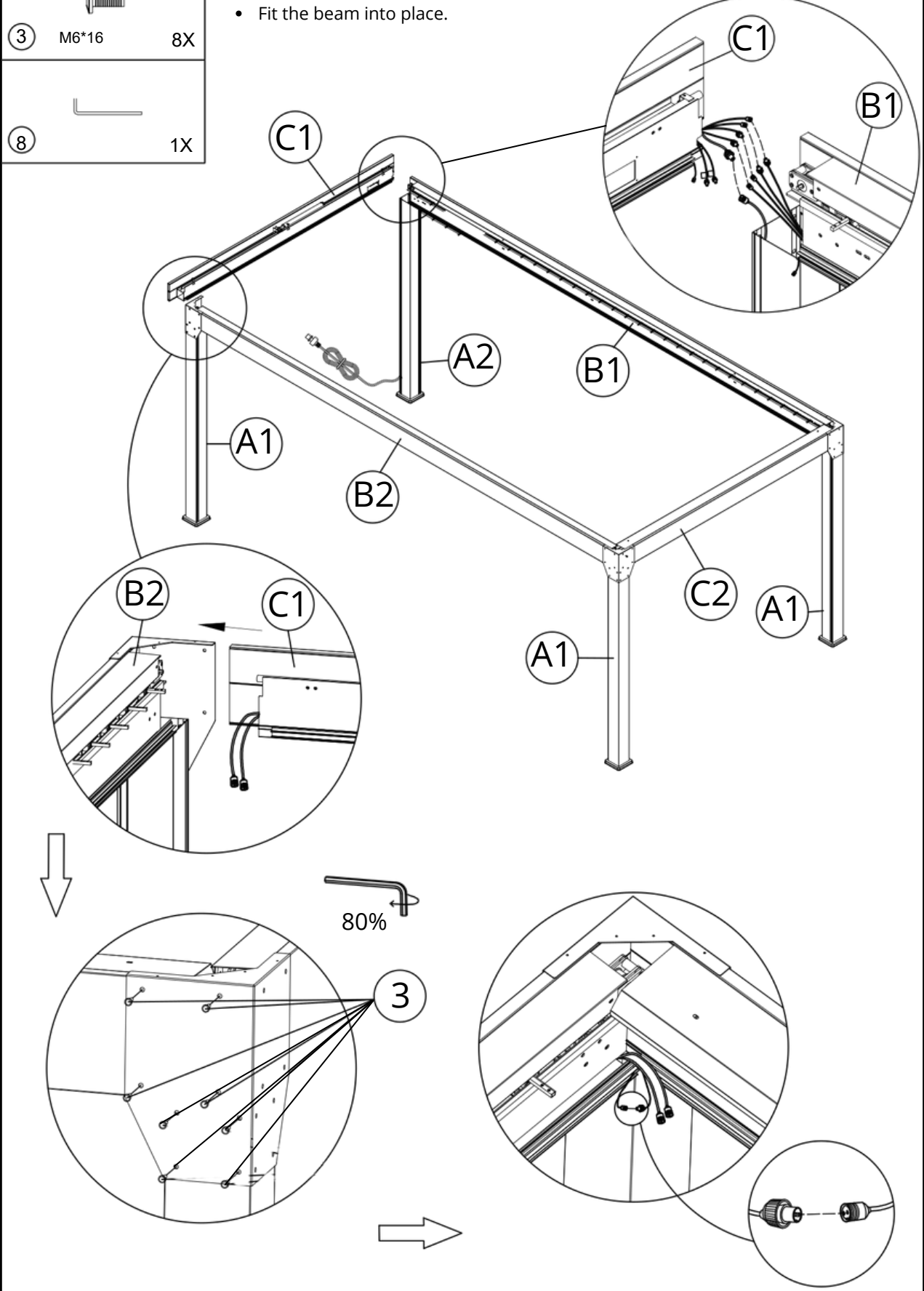


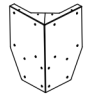


	C1	x1
	3	M6*16 8X
	8	1X

- Position the Beam (C1) (containing the mechanism) between the posts A2 and A1.
- Secure the beam (C1) in the angle of (B2) using 8 screws (3).
- Connect the motor connectors located in the corner.

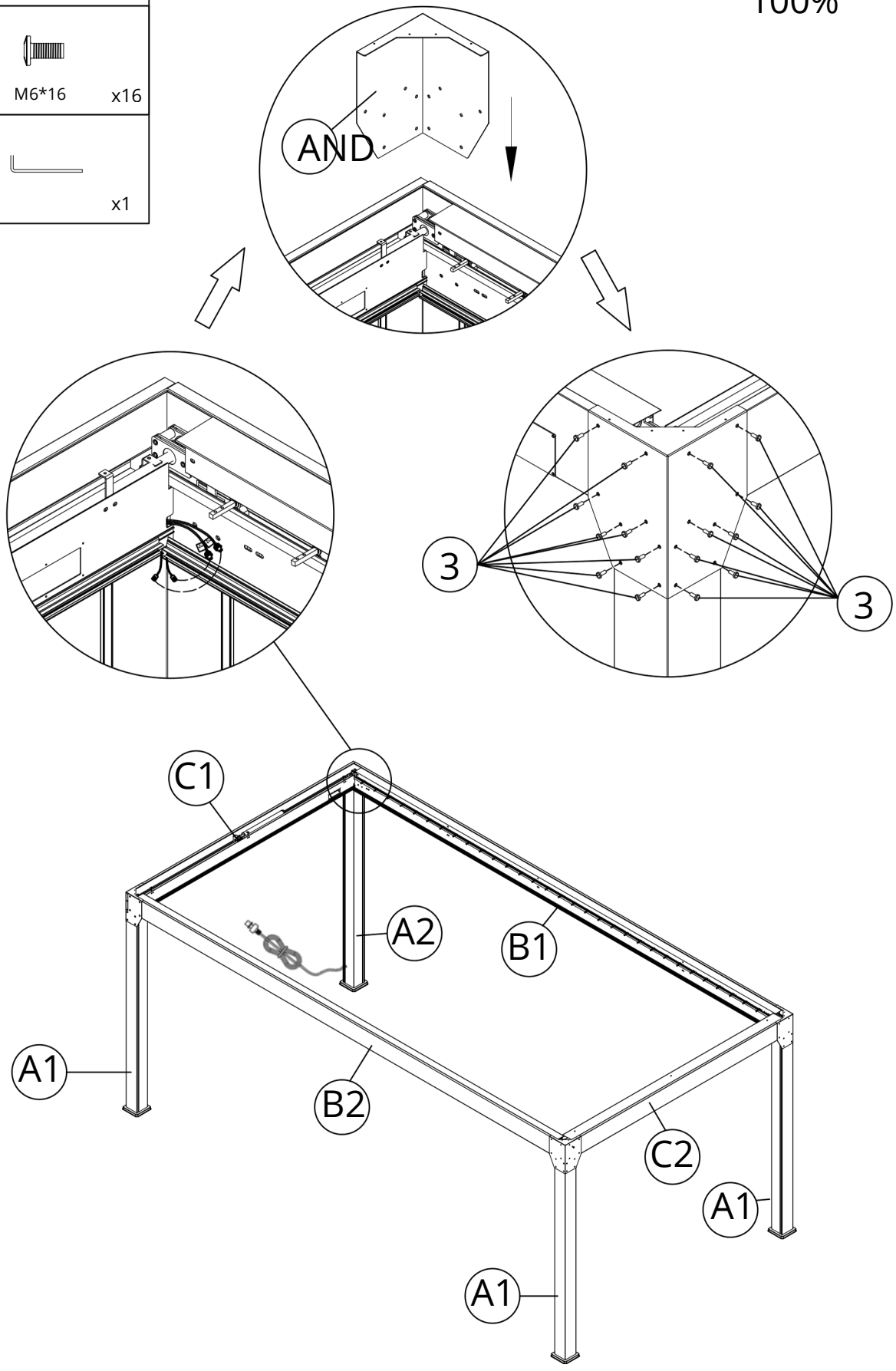
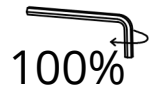
Important: Connect plugs with identical labels together to ensure proper operation.
(Ex: V1 with V1, V2 with V2, etc.)

- Fit the beam into place.

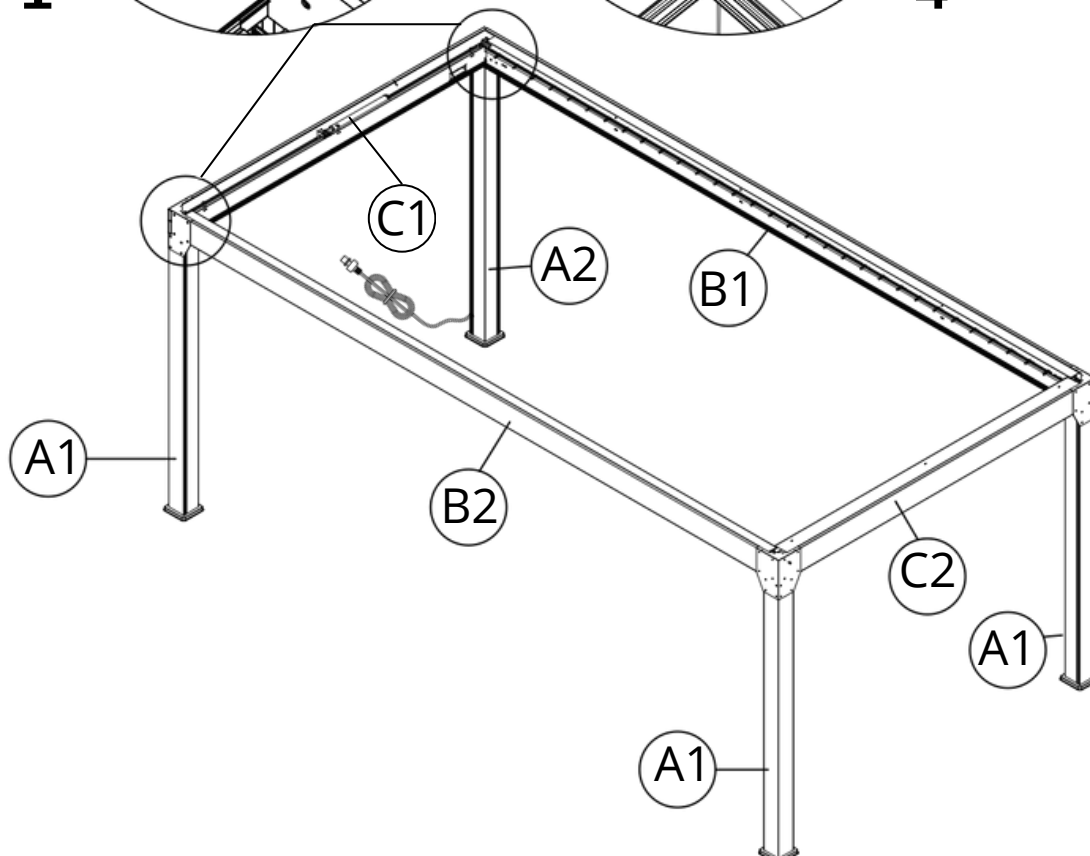
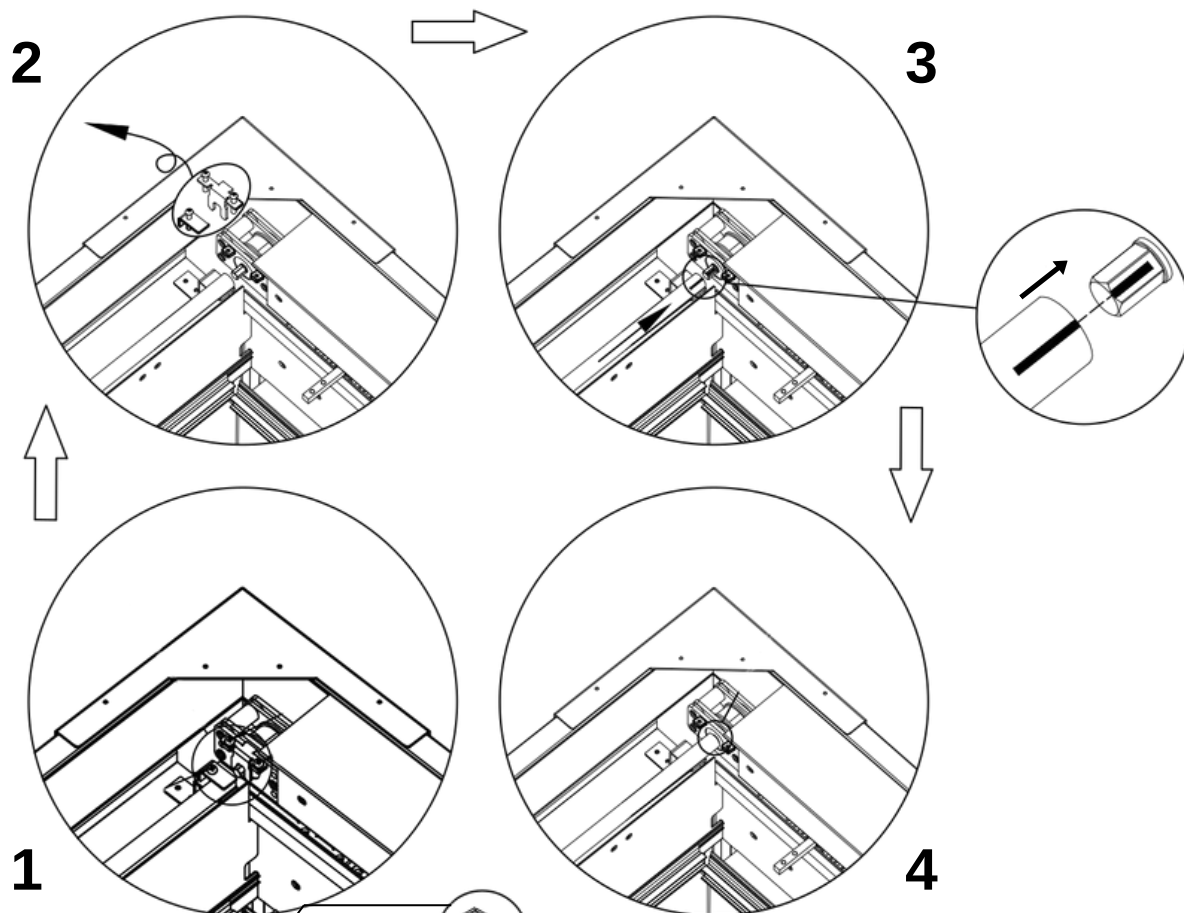


 <p>AND x1</p>
 <p>3 M6*16 x16</p>
 <p>8 x1</p>

- Install the last corner bracket (E) in the remaining corner.
- Check that the structure is square.
- Now tighten all the screws at all angles to 100%



- On the Beam (C1), locate the 3 screws indicated on either side of the beam.
- Unscrew them completely in a counterclockwise direction.
- Remove the screws, the plate and the locking piece (parts not needed for the rest of the process).
- Push the transmission shaft in the direction of the arrow, aligning the marks.
- Push the axle until it reaches its stop.

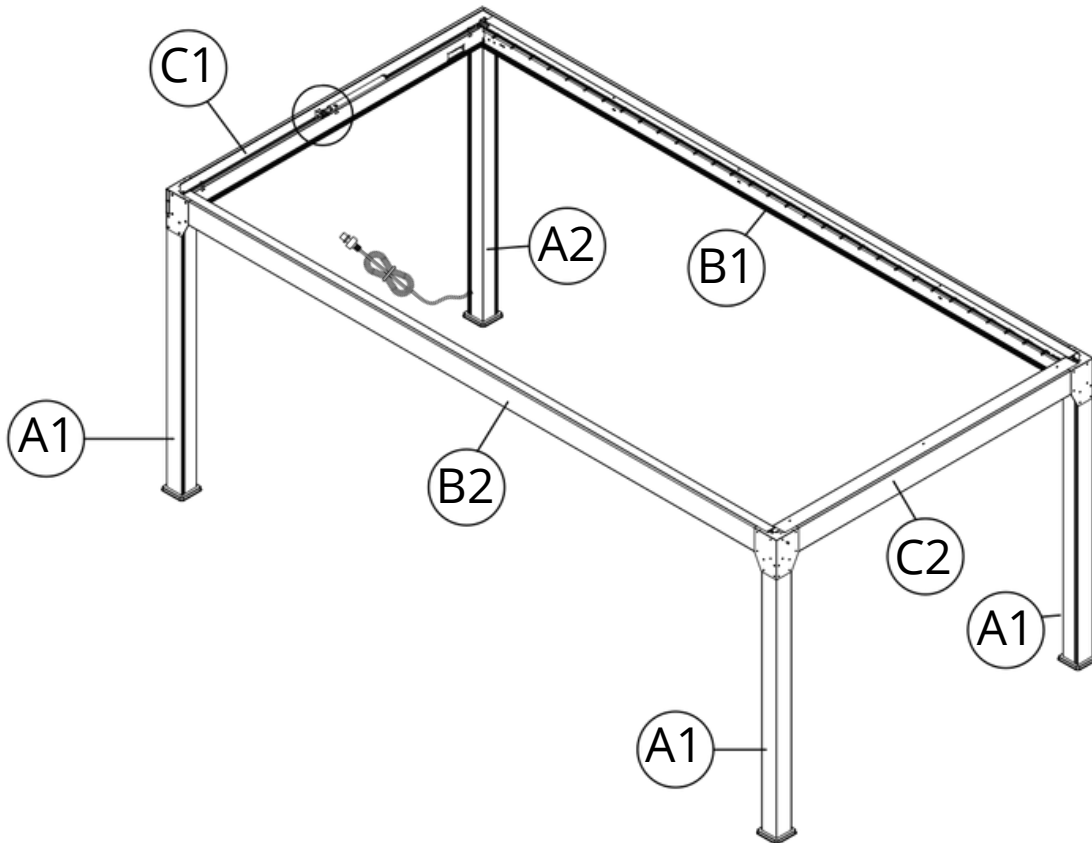
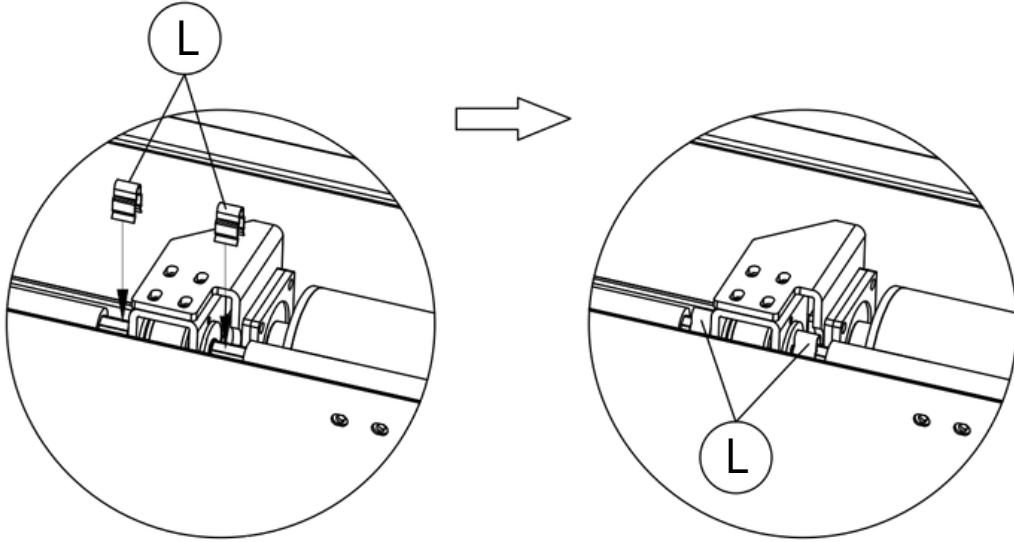


(L)



x2

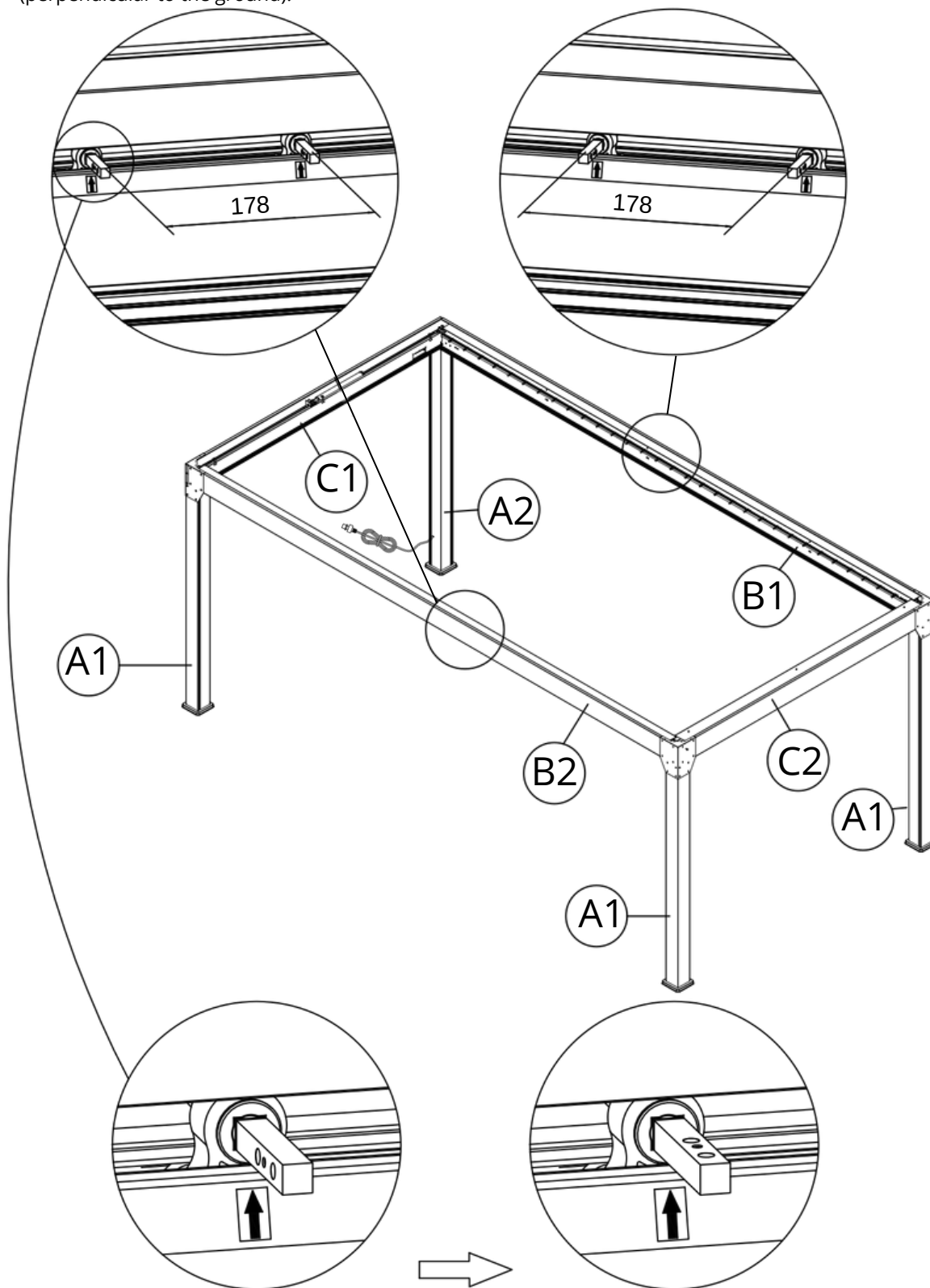
- In the center of beam C1, on either side of the motor, insert the 2 motor support pieces (L).

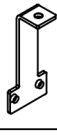
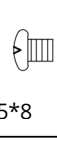


- Check the center-to-center distance between each blade support. The center-to-center distance should be approximately 178mm.
- Check the orientation of each blade support. The supports must be in a vertical position, with the threaded holes perpendicular to the ground.

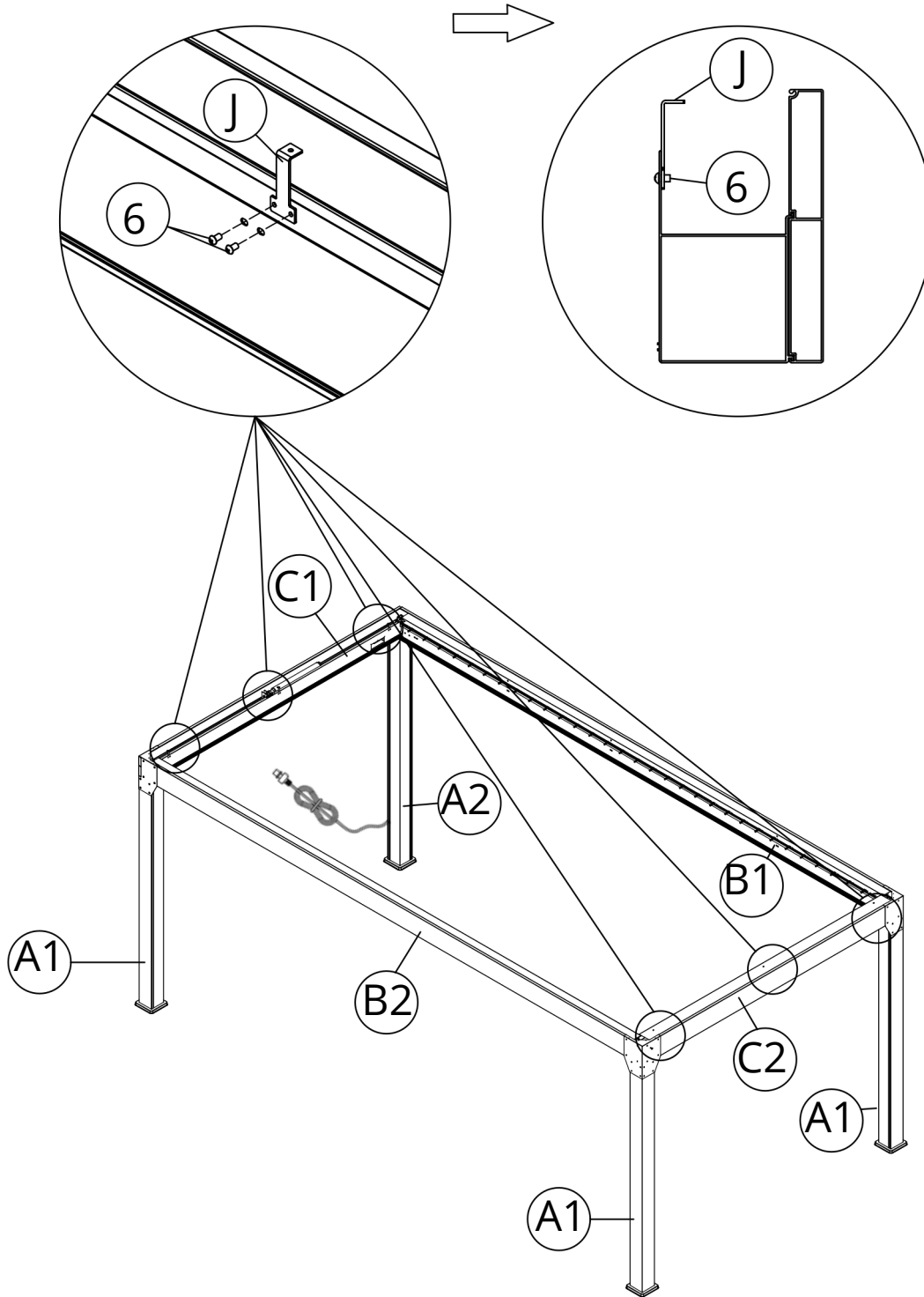
WARNING: THIS OPERATION SHOULD ONLY BE PERFORMED IF THE PREVIOUS CHECKS DO NOT MEET EXPECTATIONS.

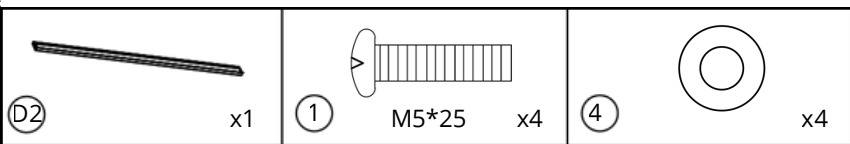
- Plug in the power supply.
- Set the remote control to Channel 2. Adjust the brackets to achieve a center-to-center distance of approximately 178 mm.
- Switch to Channel 1. Adjust the position so that the threaded holes of the supports are perfectly vertical (perpendicular to the ground).



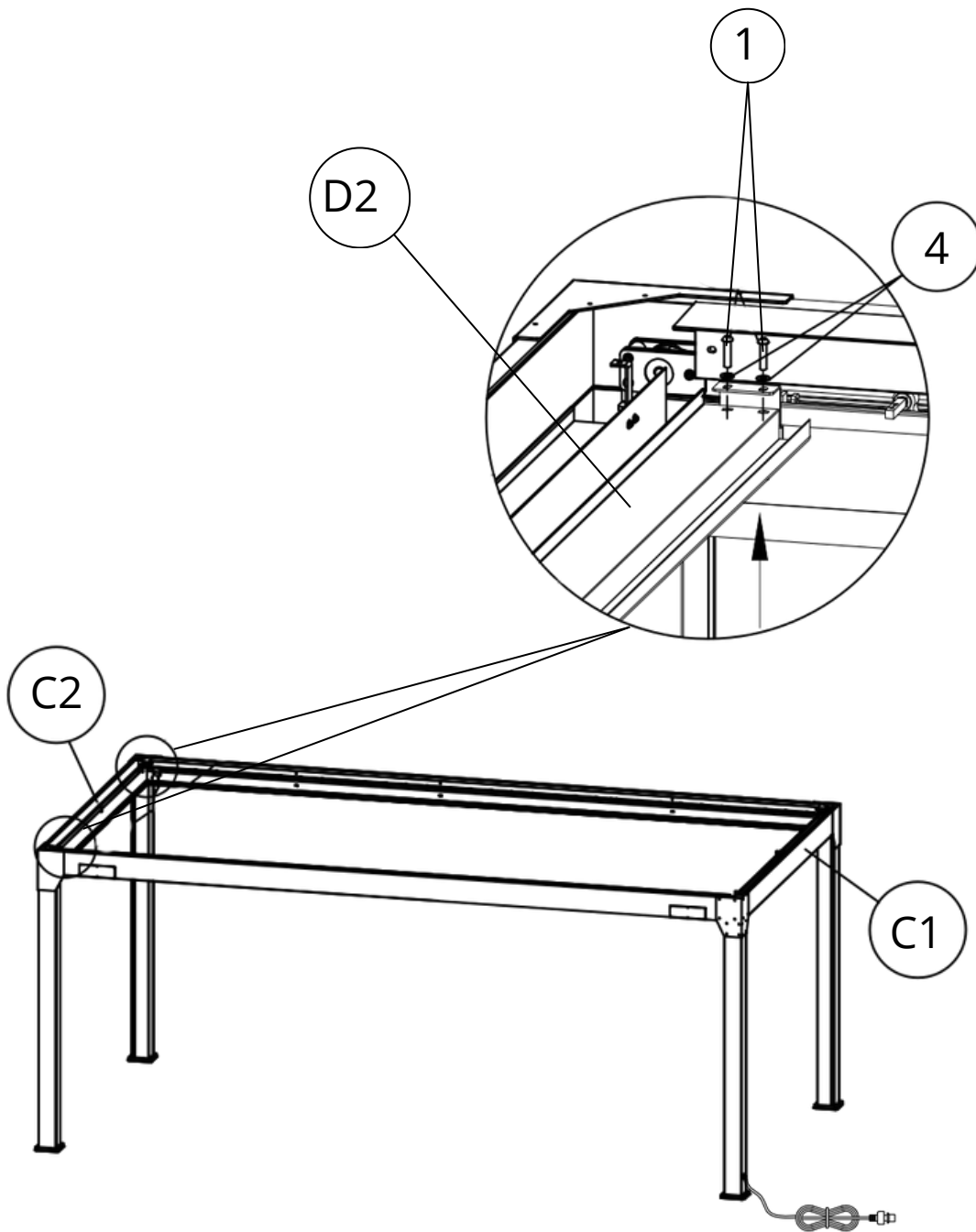
J	 x6
6	 M5*8 x12

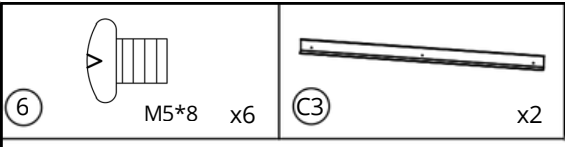
- Attach 3 blade spacers (J) to the 2 ends and center of beam C1 with 6 M5*8 screws (6).
- Attach 3 blade spacers (J) to the 2 ends and center of beam C2 with 6 M5*8 screws (6).





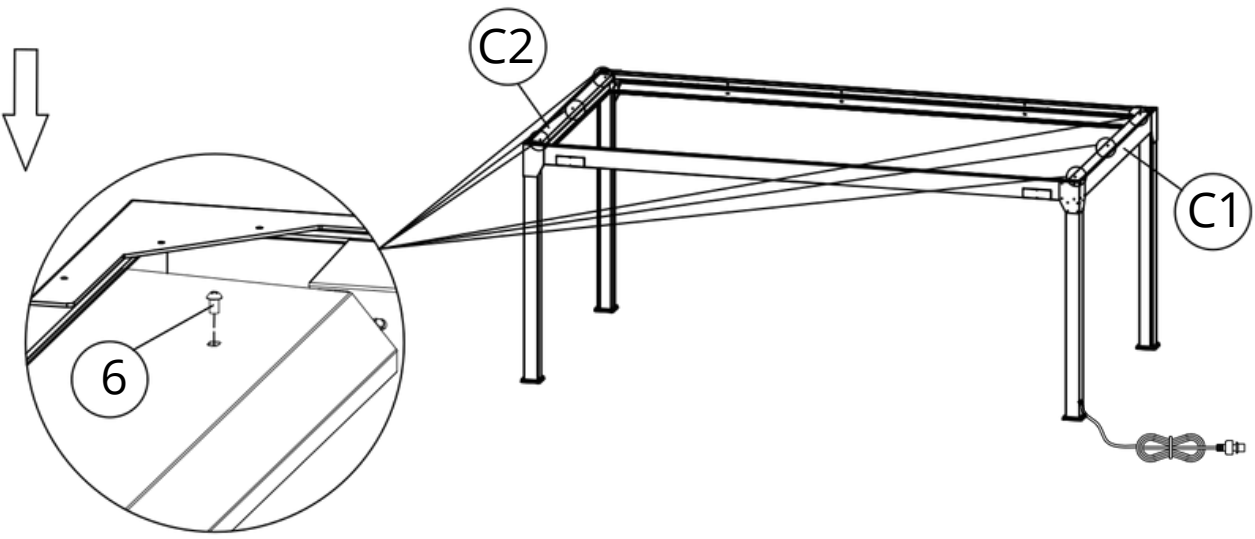
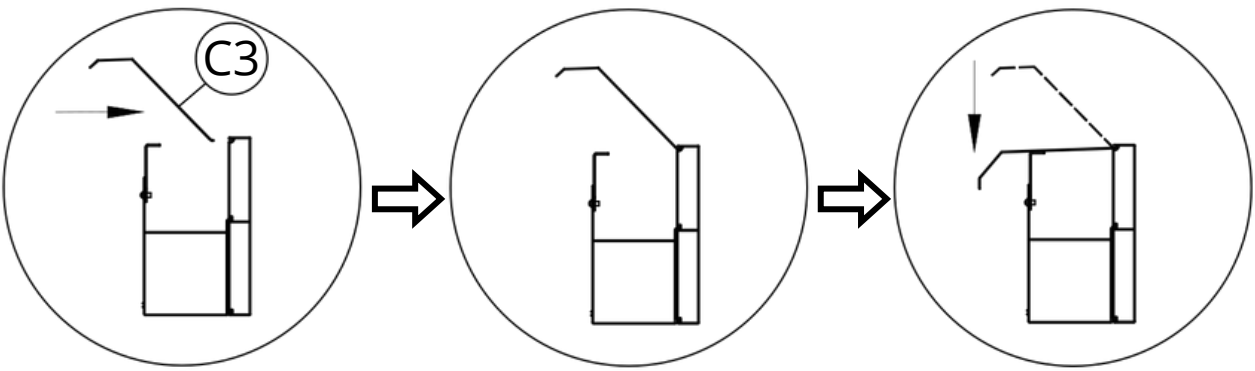
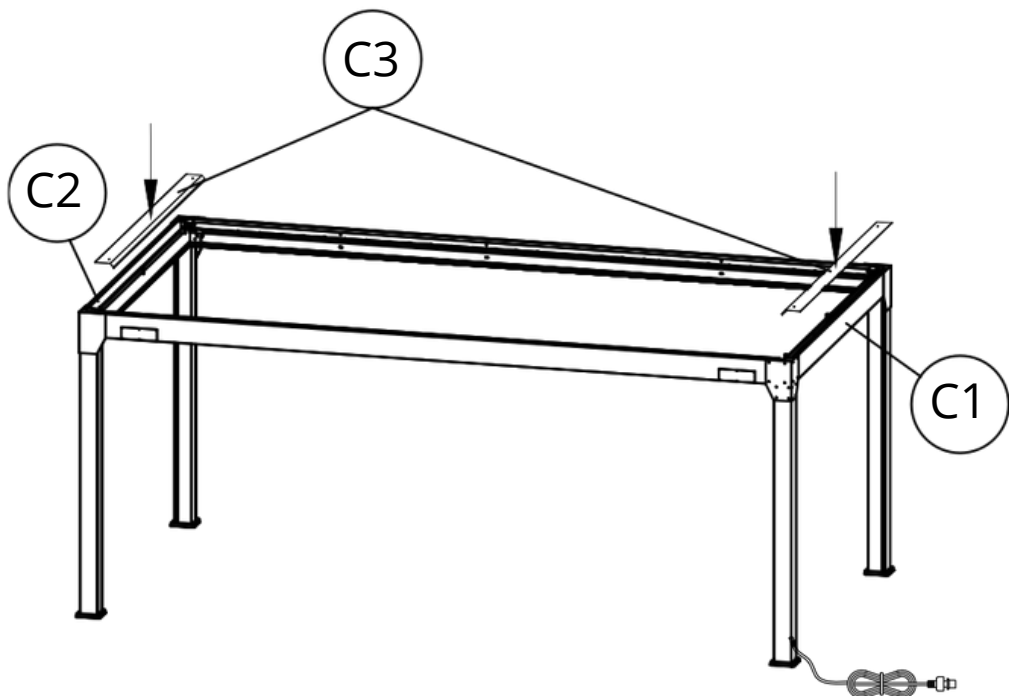
- Position the finishing blade (D2) on the side of the beam C2 and screw it at each end with the Screws (1) and Washers (4).

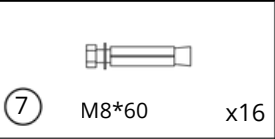




- Insert the beam covers (C3) onto the upper face of beams C1 and C2.

- Position the angled beam cover before inserting it. Once inserted, tilt the piece downwards.
- Secure the beam covers with 6 M5x8 screws (6).



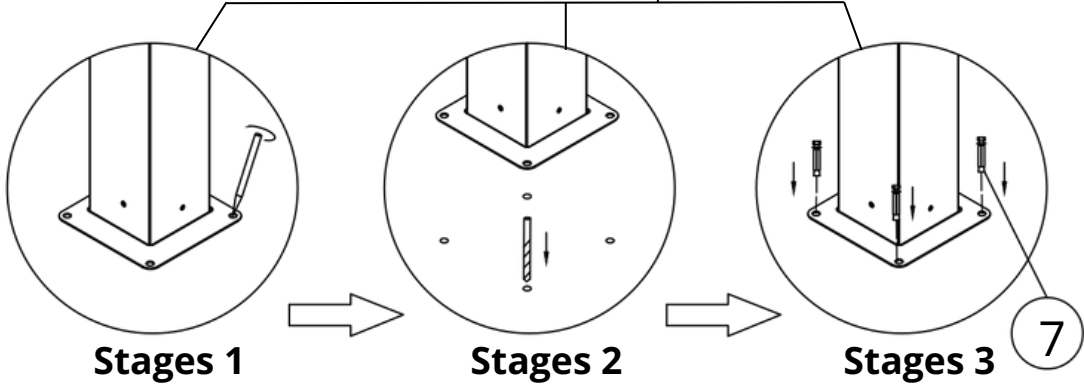
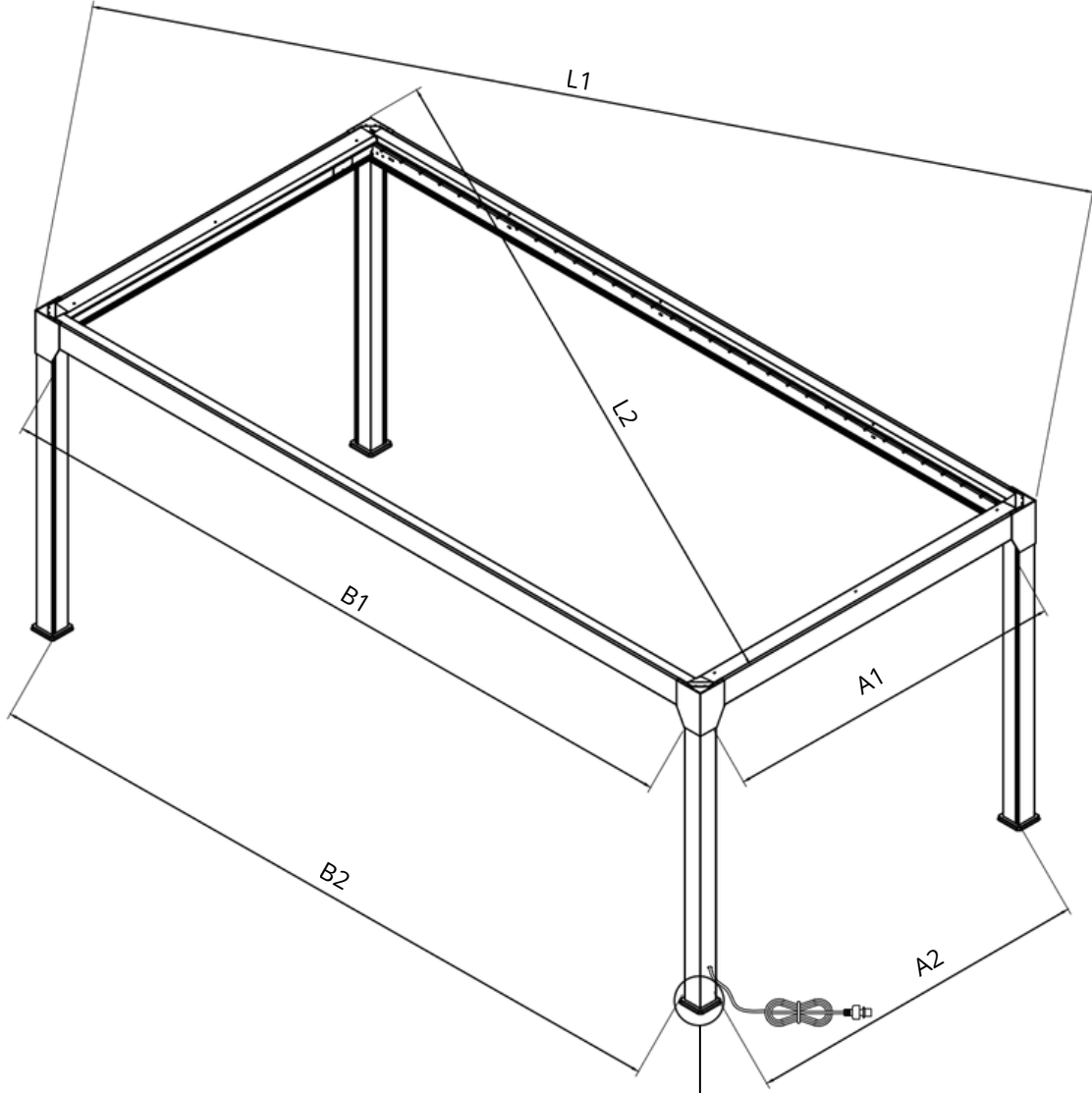


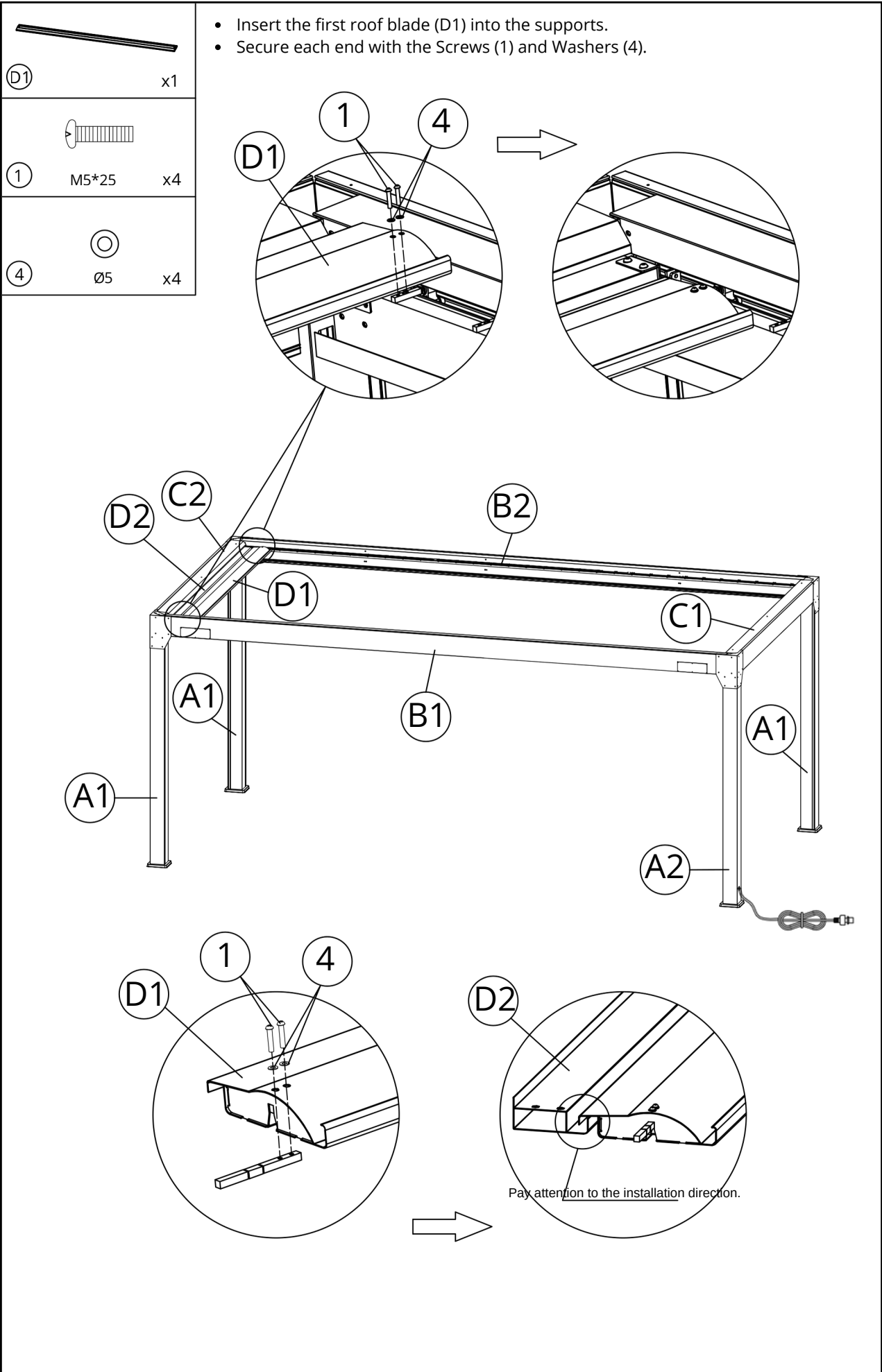
Squareness Check: Before fixing to the ground, measure the diagonals (L1 and L2). They must be approximately the same ($L1=L2$) to ensure the structure is rectangular. Also check that the widths ($A1=A2$) and lengths ($B1=B2$) are equal at the top and bottom of the posts.




Step 1: Mark the location of the holes on the ground through the plates.

Step 2: Slightly shift the posts to drill, then put them back in place

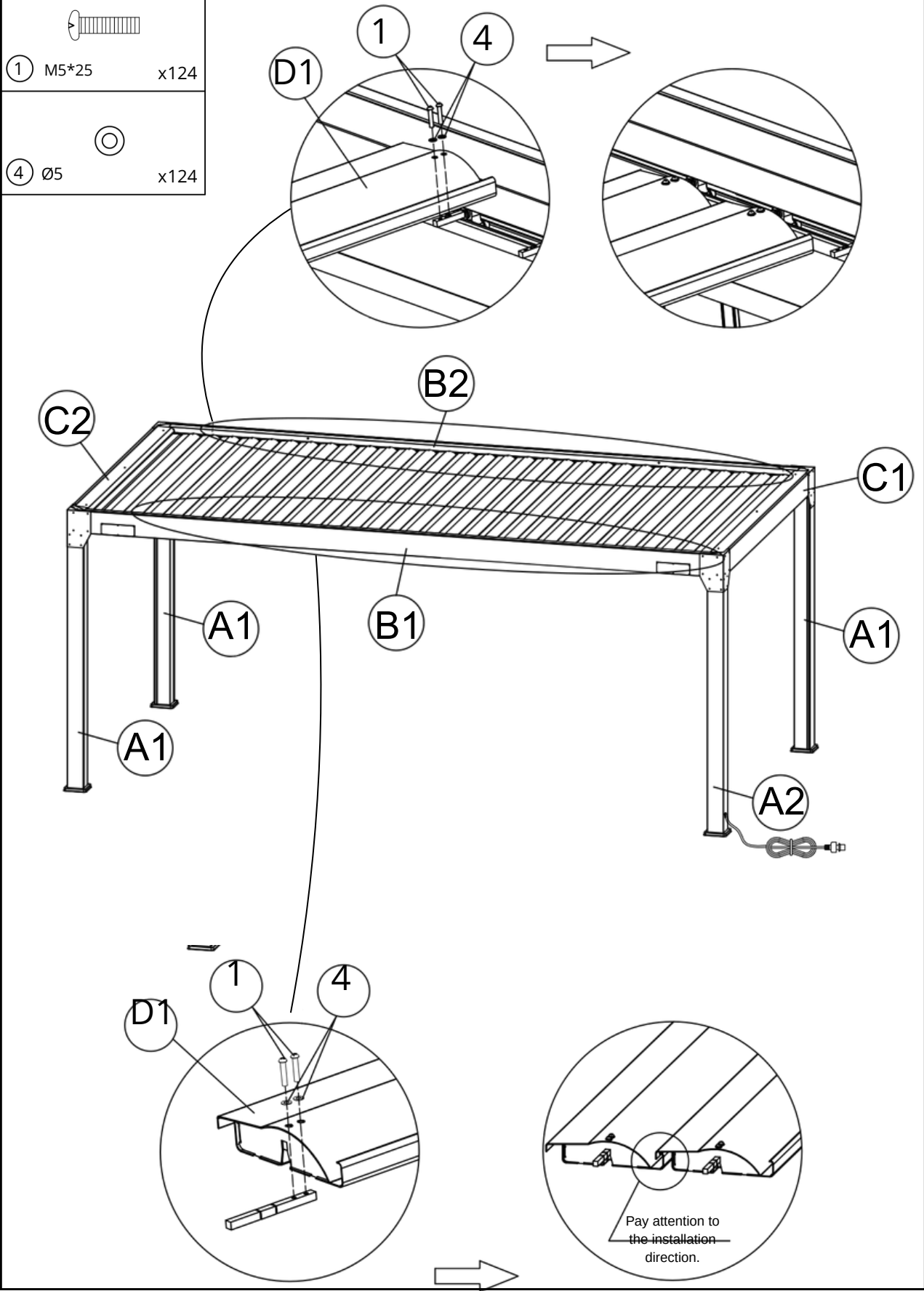
Step 3: After checking that it is square, anchor the pergola to the ground at the four corners. Use the $\varnothing 10$ mm masonry drill bit and the M8 x 60 wall plugs and screws (7).


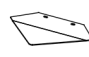





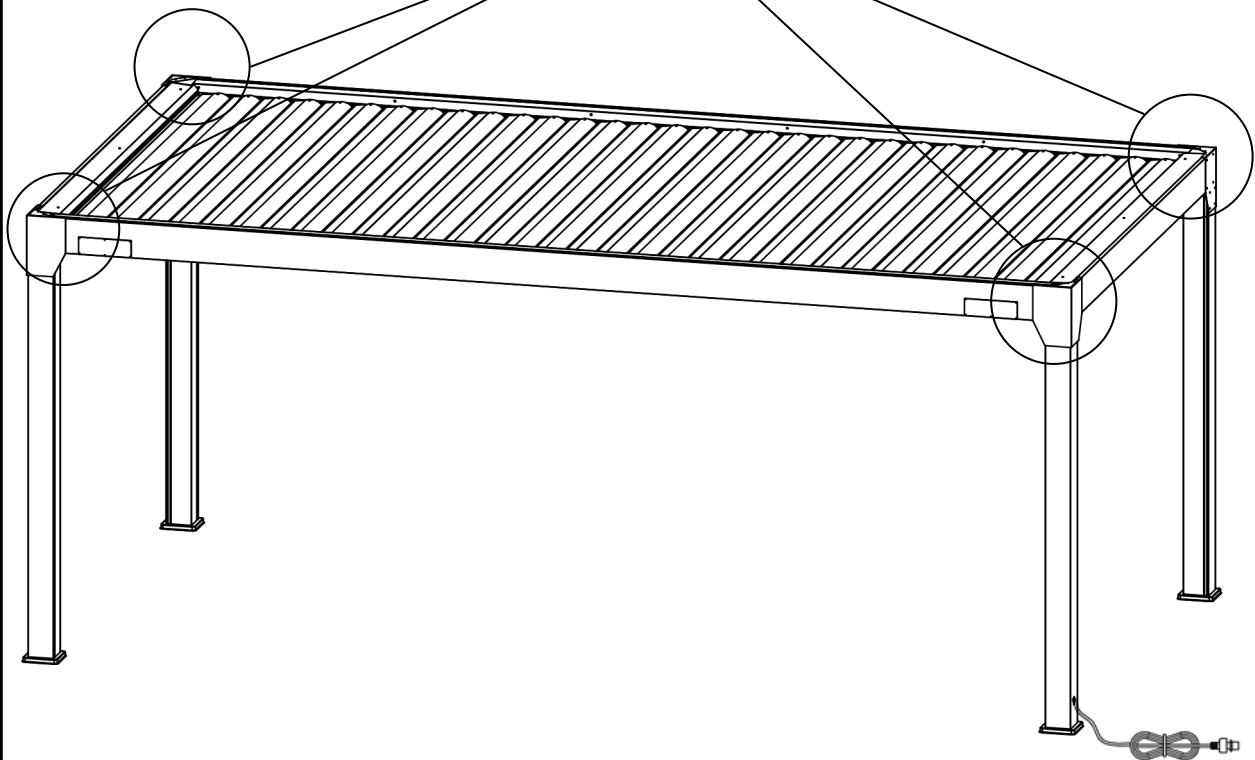
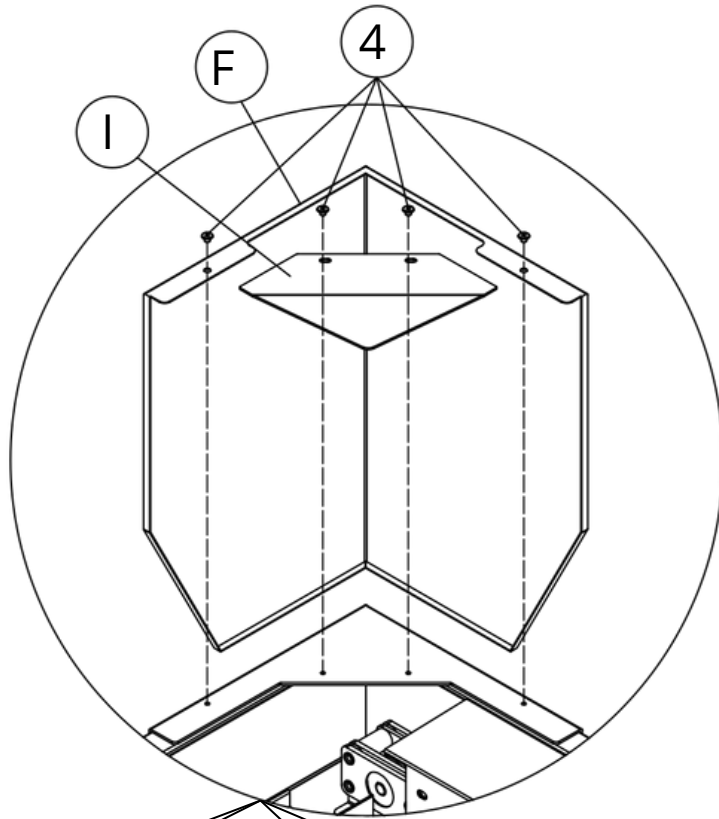
	
D1	x31
	
1 M5*25	x124
	
4 Ø5	x124

• Repeat the process for all remaining blades (D1).



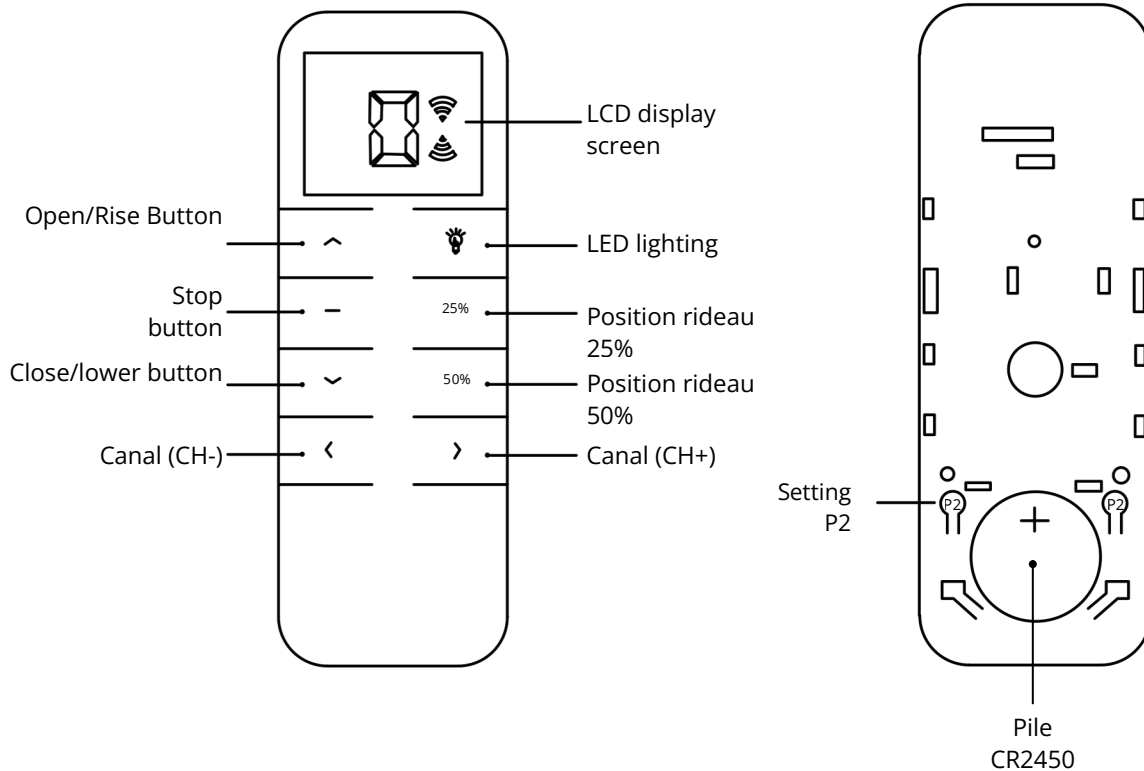
F	 x4
I	 x4
5	 M4X4 x16

- Place the Corner Caps (F) on the 4 upper corners.
- Insert the finishing plugs (I) to conceal the holes.
- Screw them in with the M4x4 screws (5).



5. Remote control information

5.1 Remote control operation



IMPORTANT

- Keep the remote control dry and away from shocks to avoid affecting its lifespan.
- If you notice that the remote control's range has become noticeably shorter or its sensitivity has decreased during use, please check if the battery needs to be replaced.
- When the voltage drops below 2.6V, the battery icon is displayed to indicate low voltage.
- During the initial setup, ensure that the remote control displays all the information correctly when the different buttons are pressed.

1. Plug the first end of the power cable into a mains socket and then connect the second end to the pergola cable.
2. An audible signal indicates that the pergola is electrically connected.
3. Wait a few seconds before using the remote control.
4. Your remote control is pre-programmed according to your product model. Below you will find the remote control functions specific to your product model.

5.2 Use and features of the remote control

PERGOLA RETRACTABLE PR12E4X3... / PR15E5X3... / PR18E6X3...

Channel 0: Controls the tilt



(1x) and the retraction (2x) of all the slats, the raising/lowering of all the curtains*

Channel 1: Controls the tilt of all slats Channel 2: Controls the retraction of all slats Channels 3 and above: Control the raising and lowering of the curtains on all models.



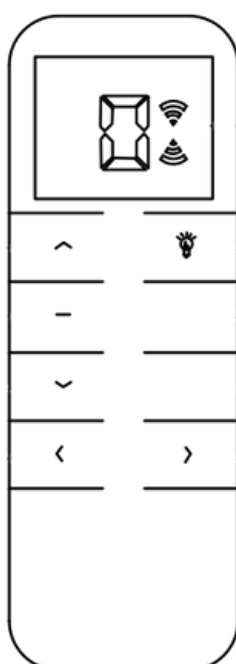
Channels 0 and 1 allow the pergola to be lit or completely switched off.

Channels 2 and above do not allow lighting control.

ATTENTION :

The blades can only be retracted when they are in a vertical position. Ensure the blades are fully tilted in the vertical position before retracting them.

*Motorized curtains are accessories sold separately.



6. Troubleshooting & Frequently Asked Questions

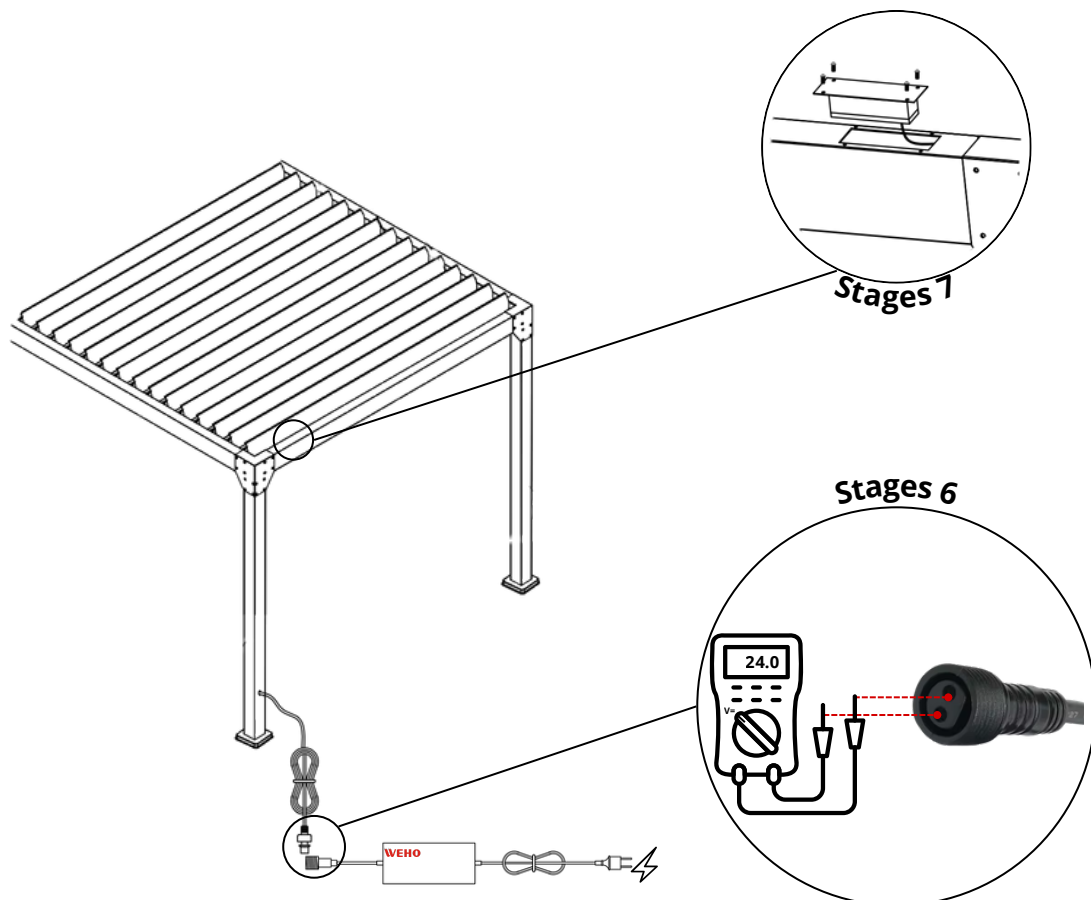
- **I can't get my pergola to work. What should I do?**

1. I check that the remote control is working correctly (the LCD screen lights up when a button is pressed).
2. I check that I am on the correct channel (see page 25).
3. I make sure to hear a "BEEP" when connecting the pergola power supply to the household outlet.
4. I check the proper functioning of the household socket using a multimeter or an accessory such as a phone charger or lamp.
5. I check that all the power cables are correctly connected to each other after having previously disconnected the power supply (see pages 11 & 12).
6. I check for the presence of 24V current at the transformer output using a multimeter*. (see diagram below).
7. I check that the screws securing the electrical cables in the control box are properly tightened, having first disconnected the power supply. (see diagram below).

*Procedure for verifying the presence of 24V current:

This is a low-voltage electrical test. There is no risk of electrocution.

Get a multimeter. Turn on your multimeter in voltmeter mode (V= or V DC). Insert each probe of your wires into each of the pins of the connector located at the output of the transformer.



- **Do I need to take any steps before installing my products?**

Installing a bioclimatic pergola, carport or garden shed requires some administrative procedures depending on its dimensions and location.

Our garden sheds have a footprint of 5m² to 20m² and are subject to prior declaration of works. For our models smaller than 5m², you do not need planning permission, but you must still comply with the rules of the Local Urban Development Plan (PLU) or equivalent urban planning document.

Bioclimatic pergolas and carports with a surface area greater than 5m² and less than or equal to 20m² are subject to prior declaration of works.

For bioclimatic pergolas and carports with a surface area greater than 20m², you must submit a building permit application.

Special cases:

- Classified site or protected area: before any installation, it is necessary to obtain the agreement of the Architects of the Buildings of France (ABF).
- Condominium regulations: if you are in a condominium, authorization from the general meeting may be required.
- Local Urban Planning (PLU): some municipalities have specific restrictions (height, color, materials), it is advisable to consult the town hall before purchasing a product.

The development tax:

Garden sheds larger than 5m² are subject to the development tax, unless exempted by the municipality. The amount is calculated on a flat-rate basis per m² and varies depending on the location.

- **Can I order the accessories for my bioclimatic pergola at a later date?**

Yes, our bioclimatic pergolas are modular. Curtains or panels can be added later. Please be careful to check the compatibility of the accessories with your pergola model before placing your order.

- **How does the delivery of my products work?**

Our garden sheds, bioclimatic pergolas, and sunshades are delivered by a carrier. They will contact you to schedule a delivery appointment, which will be made using a semi-trailer equipped with a forklift.

Our curtains are delivered by a traditional carrier.

For a stress-free assembly, find all our assembly instructions in video format on our YouTube page and on our website by clicking on the following link or by scanning the QR code.

<https://www.youtube.com/@greenoutside8067>



<https://green-outside.com/>



7. Warranty and contact

Your product is covered by a legal guarantee against any manufacturing defects. You can find the details of the Green Outside legal guarantee by clicking on the following link.

<https://green-outside.com/procedure-sav/>

or by scanning the QR code



For any warranty claim or in case of a problem with your product, please contact Green Outside customer service using the following contact details:

sav@green-outside.com

04 74 55 36 54 - Option 2

As part of its policy of continuous improvement, Green Outside reserves the right to modify its products without prior notice.

For more information on Green Outside products:
info@green-outside.com and www.green-outside.com