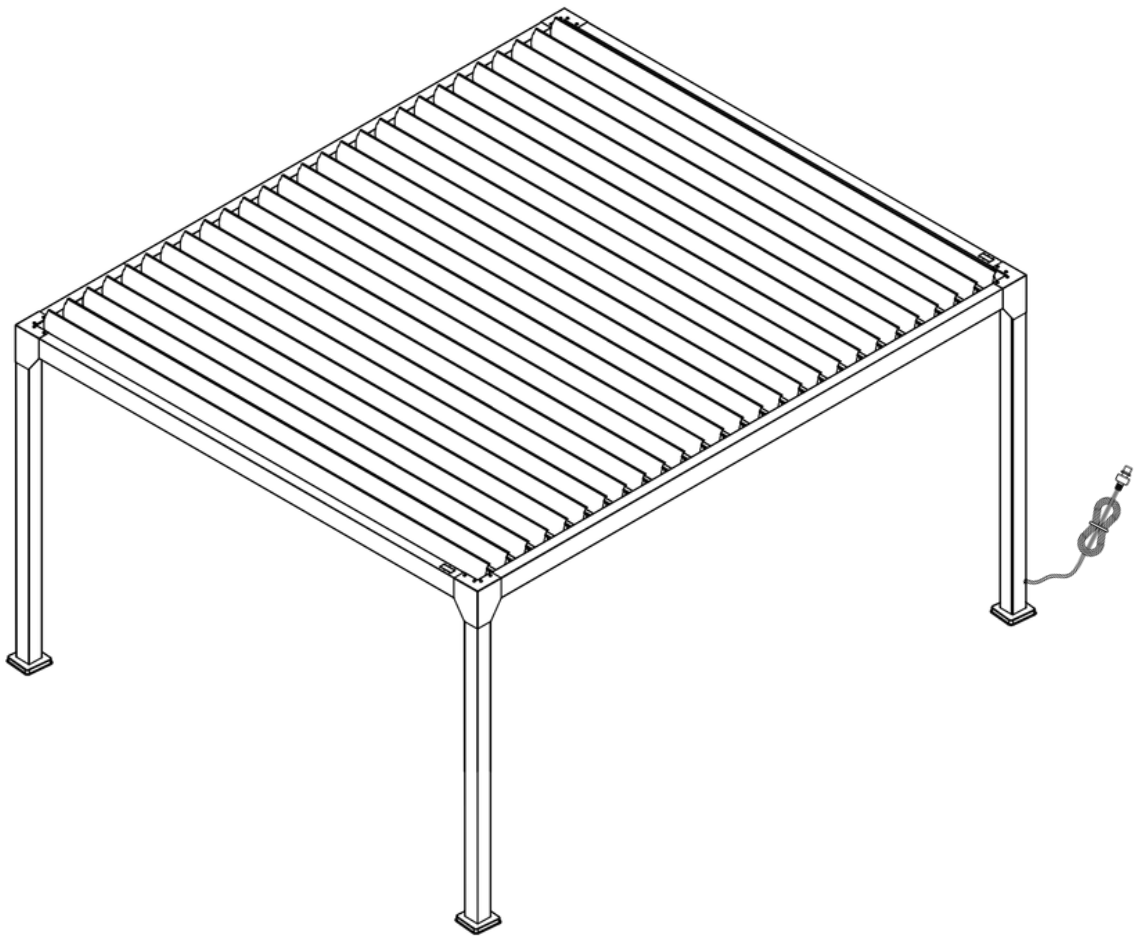


# ASSEMBLY

# INSTRUCTIONS

## BIOCLIMATIC PERGOLA 6X4

P24E6X4DNS



Before starting assembly of your product, make sure you wear the necessary personal protective equipment and consult the assembly instructions.



[sav@green-outside.com](mailto:sav@green-outside.com)



LE TRI + FACILE NOTICE PAPIER & CARTON



22 PAP

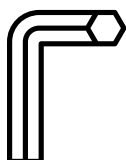
## TABLE OF CONTENTS

1. SAFETY INFORMATION AND INSTRUCTIONS	-----	P.3
1.1 Tools needed	-----	p.3 p.3
1.2 Safety instructions	-----	p.3
1.3 Unpacking and checking the contents	-----	p.3
1.4 Maintenance Tips	-----	
2. INSTALLATION	-----	P.4
3. LIST OF COMPONENTS	-----	P.5
3.1 Structural Components	-----	p.5
3.2 Screws and accessories	-----	p.6
4. ASSEMBLY PREPARATION	-----	P.7
4.1 Mounting area	-----	p.7
4.2 Position of the LED blades	-----	p.7
5. ASSEMBLING THE PERGOLA	-----	P8
6. REMOTE CONTROL INFORMATION	-----	P.18
6.1 Remote control operation	-----	p.18
6.2 Use and features of the remote control	-----	p.19
7. TROUBLESHOOTING & FREQUENTLY ASKED QUESTIONS	-----	P.20
8. WARRANTY AND CONTACT	-----	P.22

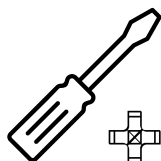
# 1. SAFETY INFORMATION AND INSTRUCTIONS



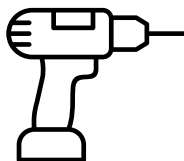
## 1.1 Tools needed



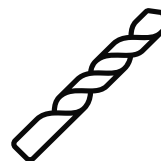
1 Allen key Ø4  
(INCLUDED)



1 Phillips  
screwdriver (PH1)



1 hammer drill / rotary  
hammer



1 concrete  
drill bit  
Ø10



1 stepladder / person

## 1.2 Safety instructions

To ensure the safe assembly of your product, certain rules must be followed:

- Wearing personal protective equipment is strongly recommended (gloves, safety shoes, goggles, etc.)
- Keep children away from the construction site
- Choose a suitable location for mounting your product (flat, hard ground allowing for solid anchoring, not subject to strong winds)
- Ensure that the fixing points do not coincide with cable passages, conduits or other pipes.
- In the case of installing a pergola, provide a ground with a 1% slope to allow for the drainage of rainwater.
- Do not attempt assembly in adverse weather conditions (rain, wind, snow, etc.)
- In case of bad weather (wind, rain, snow) it is recommended to keep the blades in a semi-open position to promote airflow and prevent snow accumulation.
- To ensure the safety of the installation and the longevity of the components, electrical elements (transformer, remote control, etc.) must be stored in a dry, well-ventilated, and frost-free environment. Any exposure to humidity or extreme temperatures will void the warranty. Note that the use of a weatherproof power outlet is mandatory for any outdoor connection.

## 1.3 Unpacking the product

When opening the boxes, be careful not to use a box cutter or any blade that could damage the product. The boxes are labeled with the components inside. Make sure you have all the items listed in the components list and that they are correct before you begin assembling your product.

## 1.4 Maintenance Tips

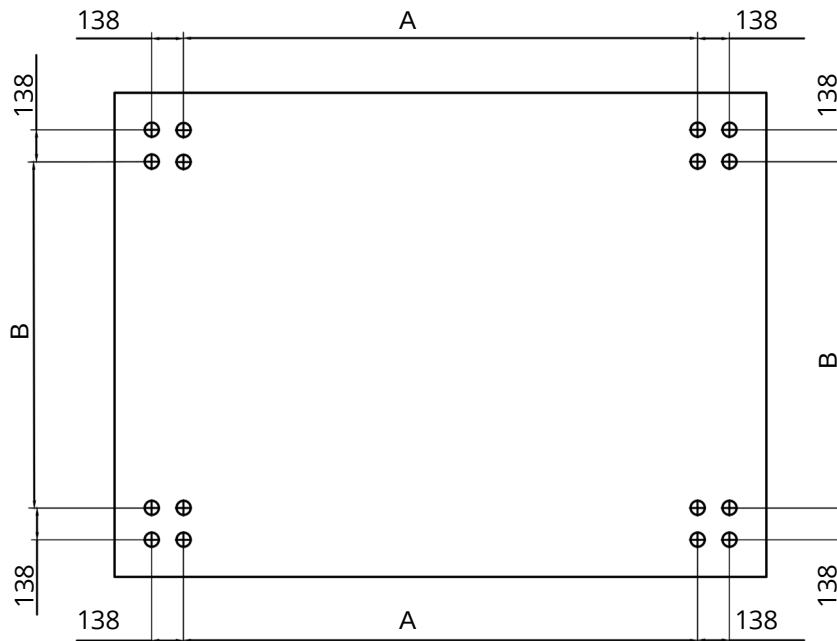
- We recommend regularly cleaning your product by removing leaves, branches, or other elements that could impair its proper functioning.
- Your product can be cleaned with soapy water.
- Never use a high-pressure cleaner, corrosive products, or solvents.

In the event that a component is missing, damaged, or if you have any doubts, please contact Green Outside customer service:  
sav@green-outside.com

## 2. Installation

To accommodate your pergola, ensure that you provide a ground with a 1% slope to allow for rainwater drainage. Below you will find the drilling center distances to anchor your pergola to the ground once its assembly is complete.

**IMPORTANT:** Accessories such as curtains and panels must be installed only after the product assembly is fully complete and anchored to the ground.



Model	4X3	5X3	6X3	4X4	5X4	6X4
Dimension A	3669	4727	5626	3669	4727	5626
Dimension B	2769	2669	2769	3669	3669	3629

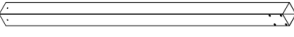
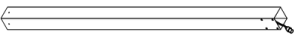






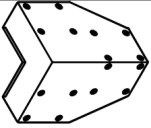
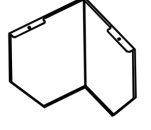
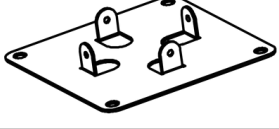

Find all our video tutorials by clicking on the following link  
<https://www.youtube.com/@greenoutside8067>

or by scanning the QR code

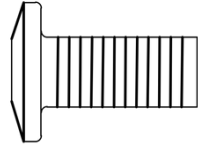
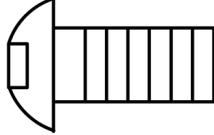
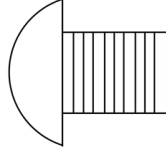
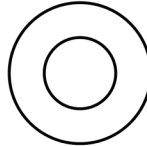
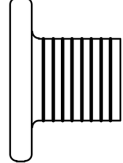
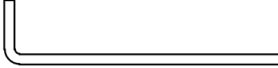
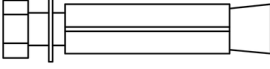

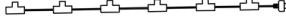
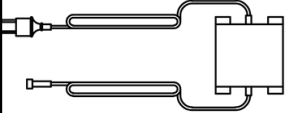


### 3. List of components

#### 3.1 Structural Components

Reference	Component	Quantity	Representation	Carton No.
A1	Post	3		1
A2	Pole with power connector	1		1
B1	6m motorized front beam with 24V LED power supply	1		2
B2	6m rear beam	1		2
C1	4m side beam with connectors	1		2
C2	4m side beam	1		2
D1	4m roof blade	24		3/4/5
D2	4m roof blade with LED	8		3
AND	Beam fixing angle bracket	4		1
F	Corner hood	4		1
G	Post mounting plate	4		2
H	Foot hood	4		2

### 3.2 Screws & Accessories Components

1	Vis M6*16	80+2		2
2	Vis M6*16	16+2		2
3	Show M5*10	128+5		2
4	Rondelle Ø5	128+5		2
5	Show M4*4	8+2		2
6	Allen key 4	1		2
7	Anchor + screw M8*60	16		2
	LCD screen remote control	1		2
	4-output LED connector strip	2		2
	Transformer - 24V 400W	1		2

\*Important Note: The graphic representations (sketches, diagrams, and photos) in this document are not contractual and are provided for illustrative purposes only. They may differ from the final product.

## 4. ASSEMBLY PREPARATION

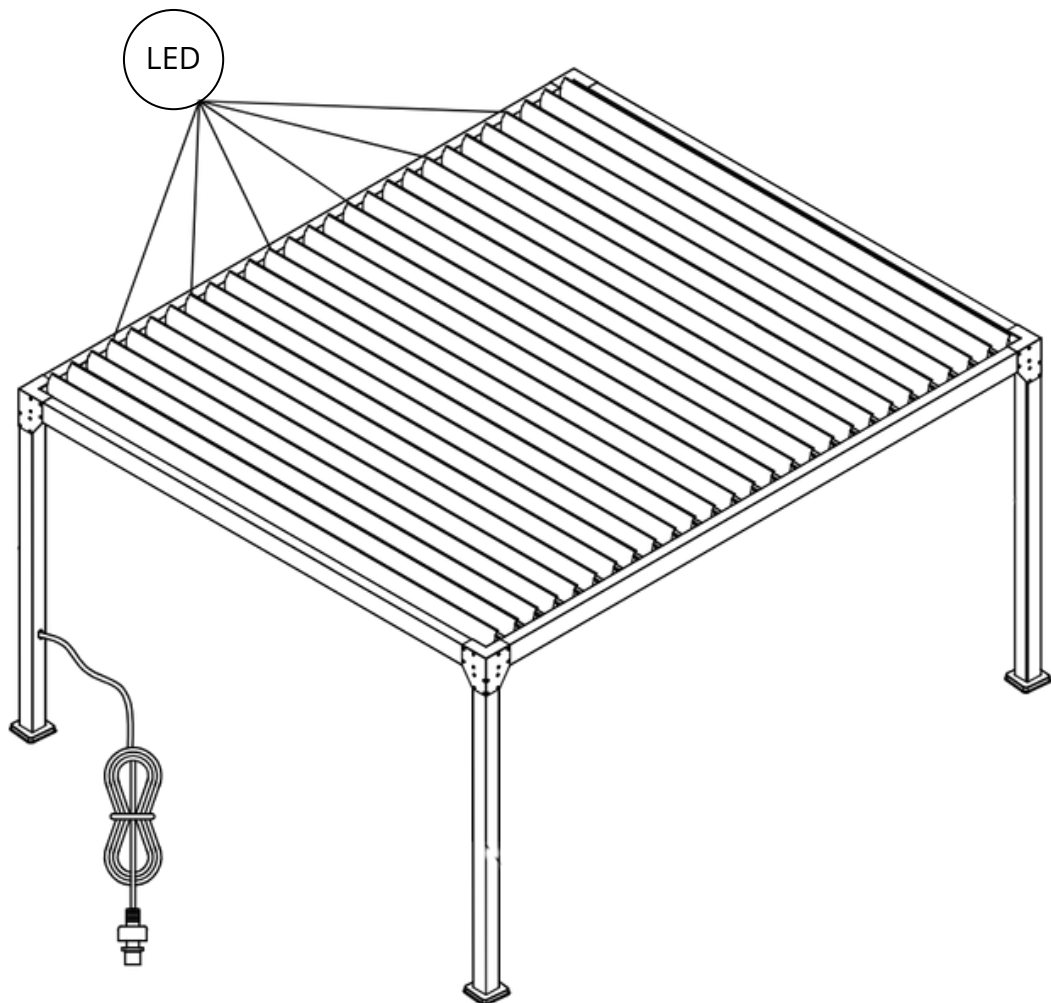
### 4.1 Mounting area:

To ensure easy assembly, an assembly area the size of the pergola + 1 meter minimum is required. Use floor protection to prevent scratches.

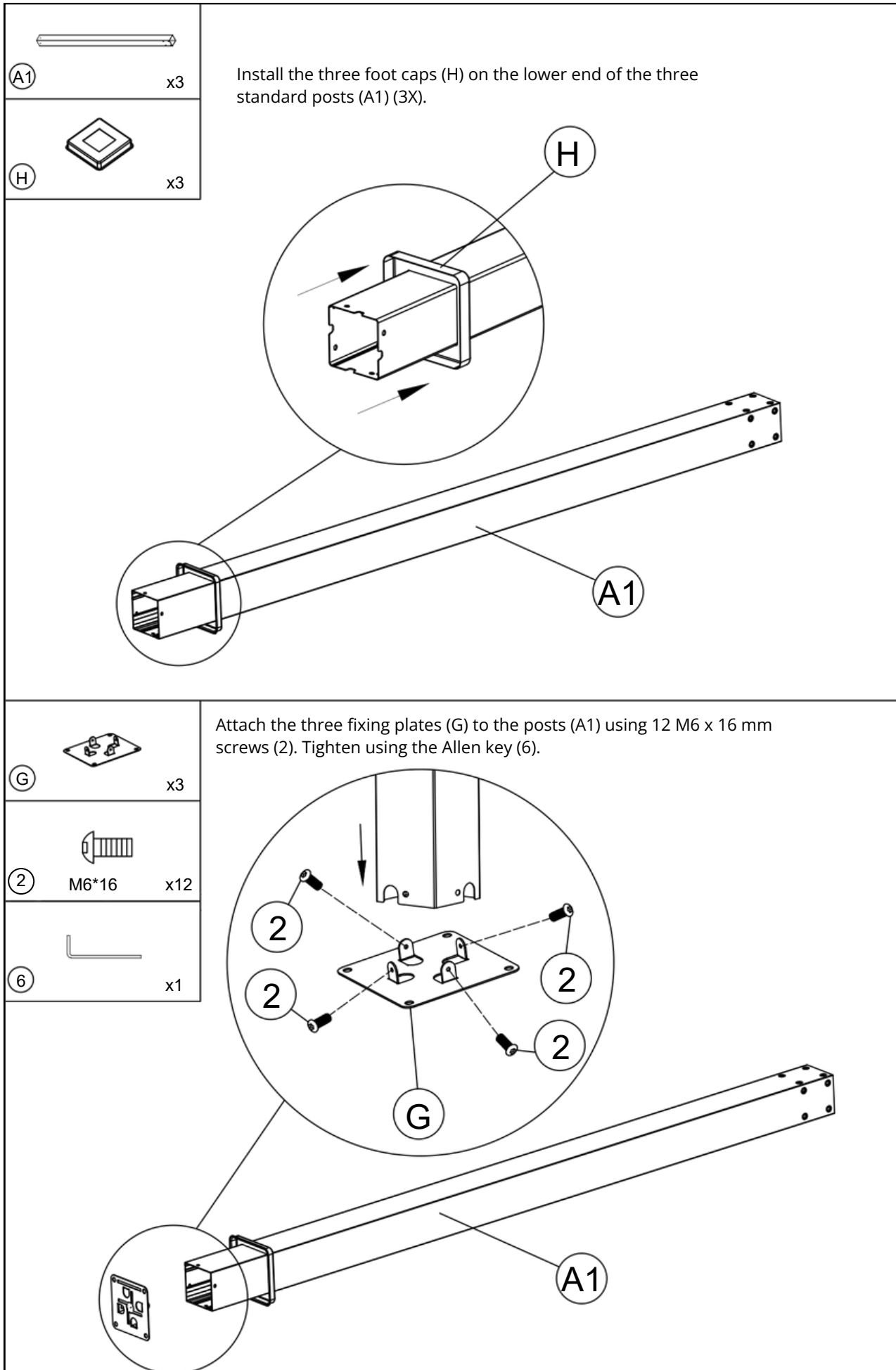
### 4.2 Position of the LED blades:

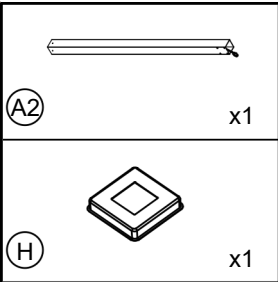
Your product contains standard roof blades, some with integrated LED lighting. The LED strips must be positioned in the following locations:

- Blades 2 - 6 - 10 - 14 - 18 - 22 - 26 - 30

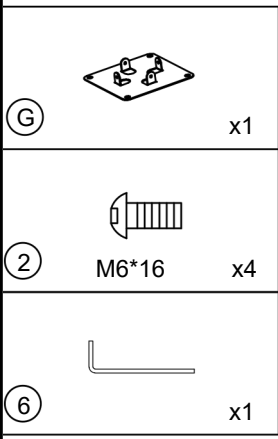
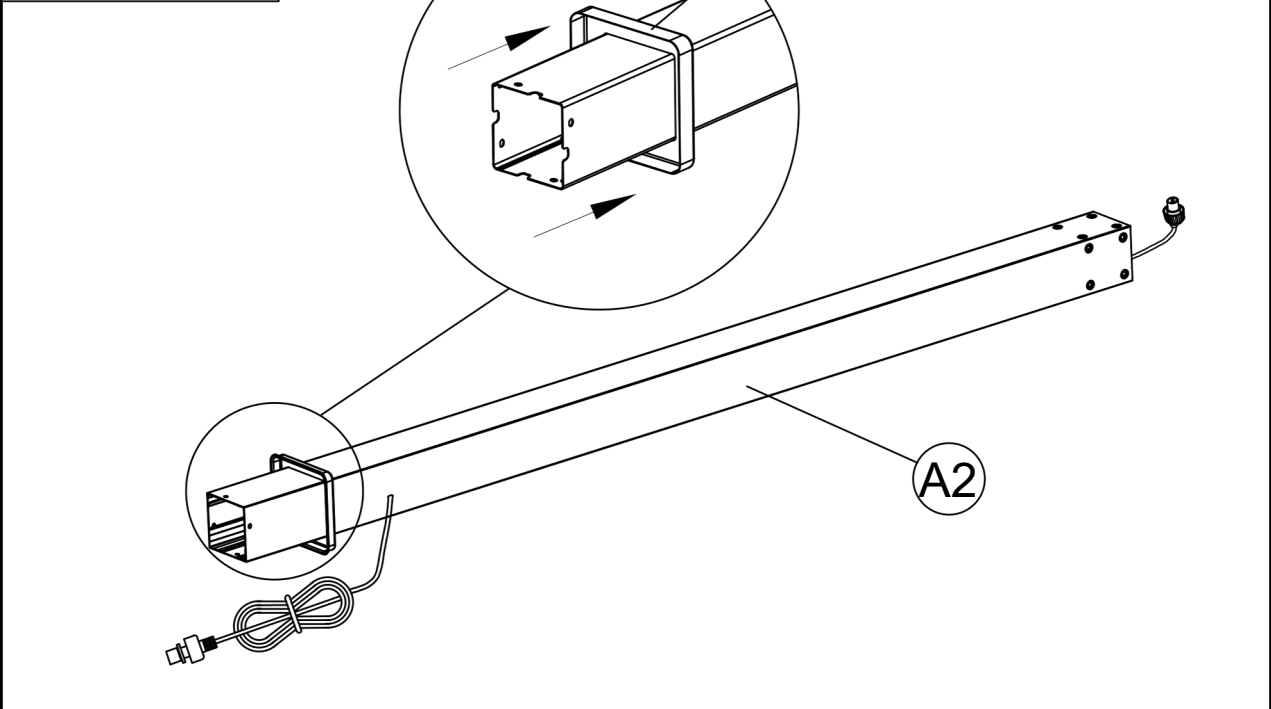


## 5. ASSEMBLING THE PERGOLA

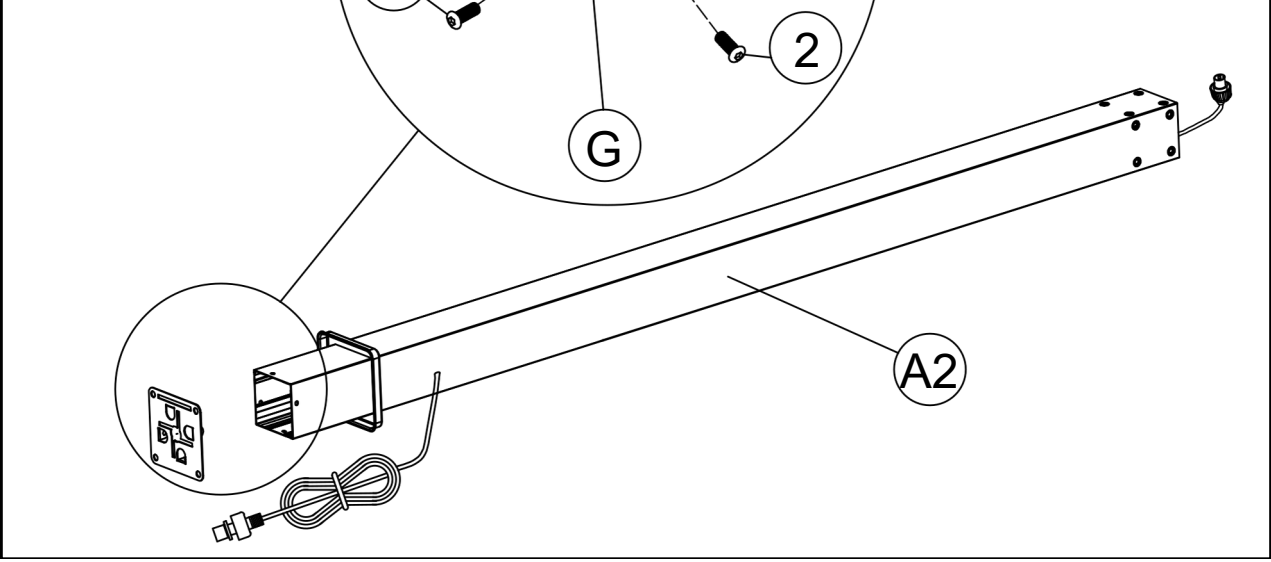





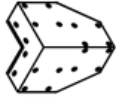
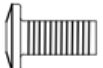



Install the last foot cap (H) on the lower end of the post with connector (A2) (1X)



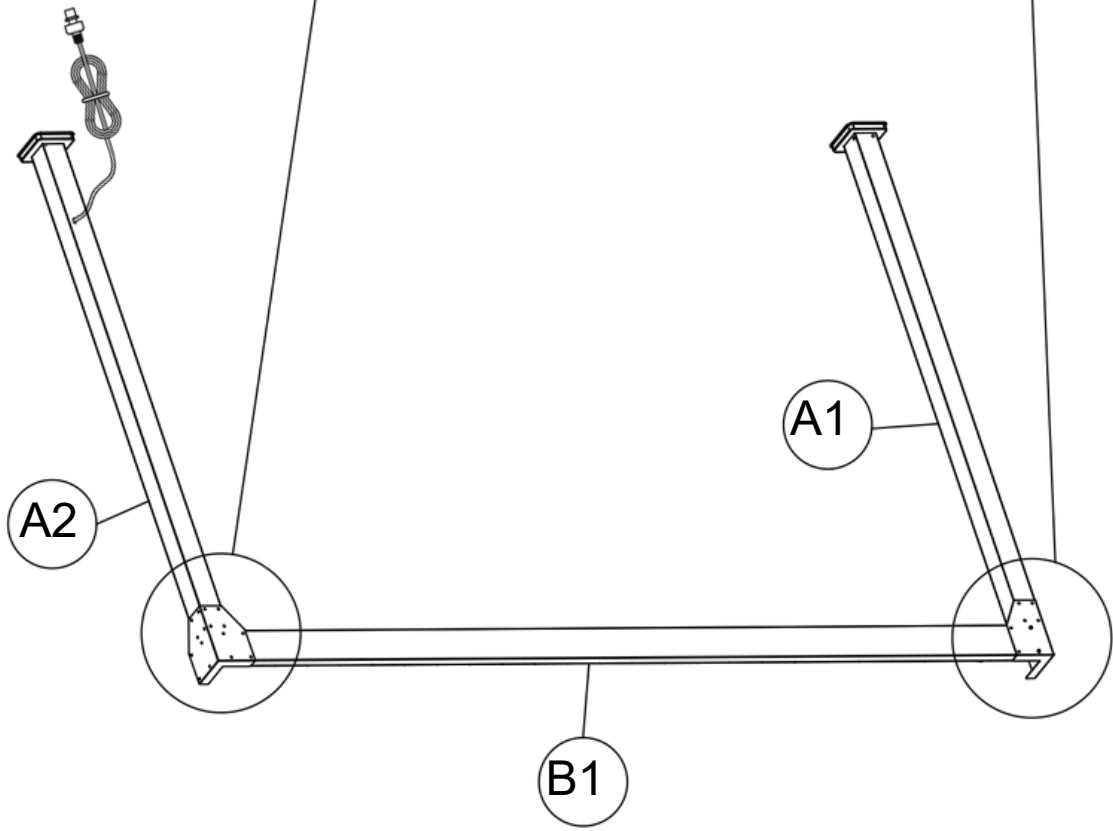
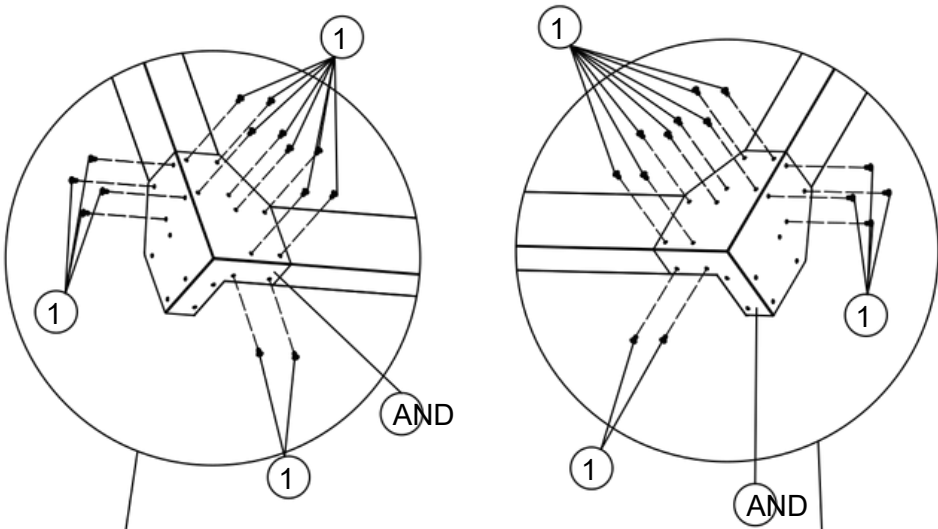
Attach the mounting plate (G) to the post (A2) using 4 M6 x 16 mm screws (2). Tighten using the Allen key (6). Ensure that the pole power cable (A2) is correctly positioned as shown below.



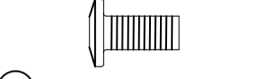



	A1	x1
	A2	x1
	B1	x1
	AND	x2
	1	M6*16 x28
	6	x1

Place the posts (A1 and A2) and the front beam (B1) on the assembly area

Step 1 and 2: Connect the two posts (A1 and A2) to the front beam (B1) using the two fixing brackets (E). Secure with 28 M6 x 16 mm screws (1).

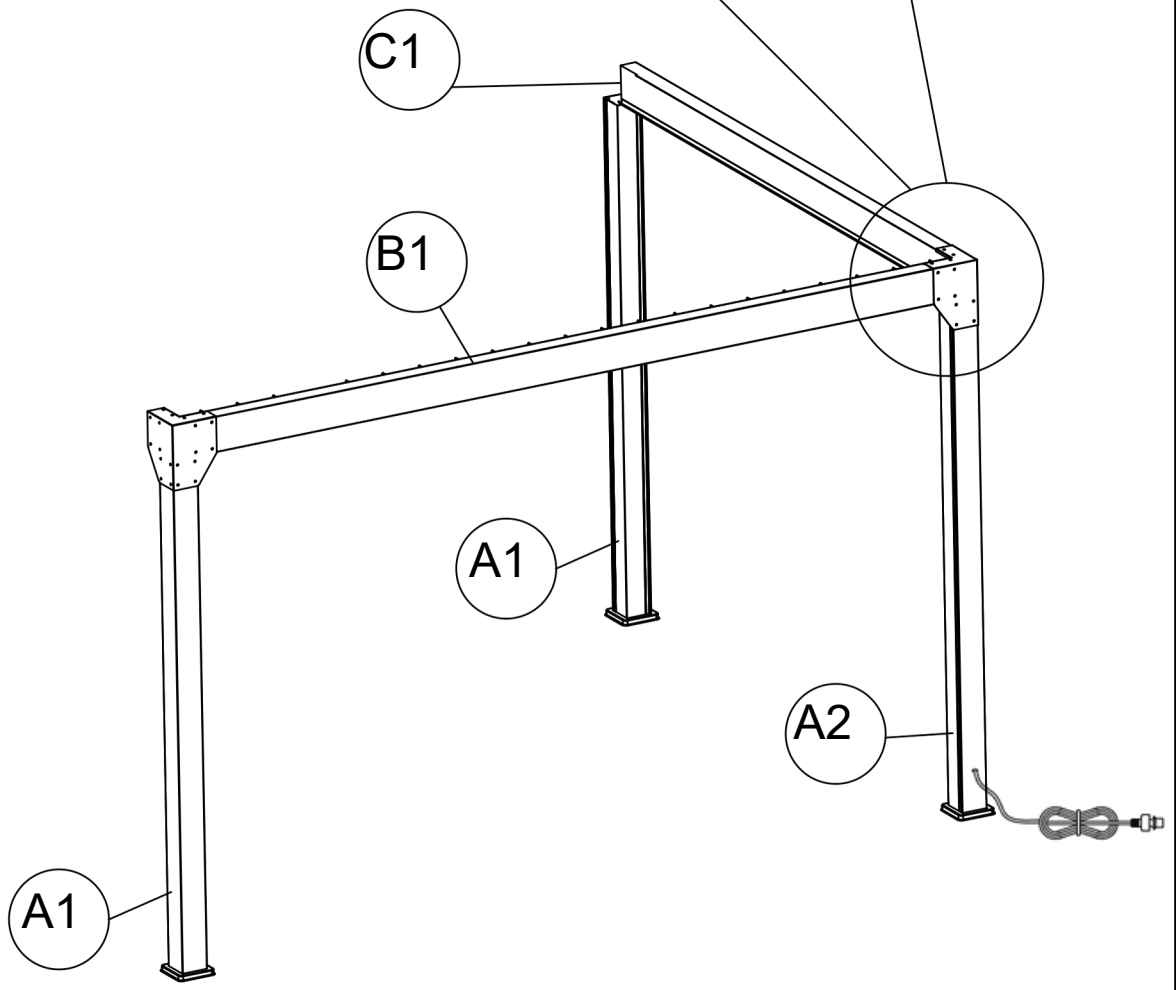
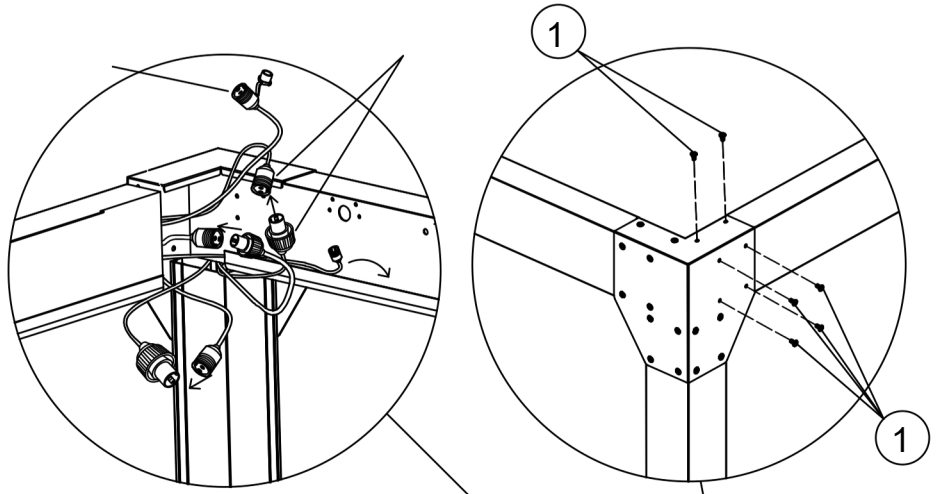




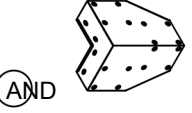
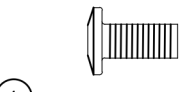
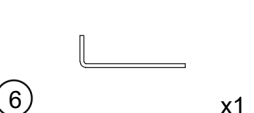
	C1	x1
	A1	x1
	1	M6*16 x6
	6	x1

Position the side beam (C1) against the angle formed by the post (A2) and the front beam (B1).

Step 1: Connect the motor connectors located in the corner.  
Important: Connect plugs with identical labels together to ensure proper operation. (Ex: V1 to V1, V2 to V2, etc.) Place the LED strip cable in the gutter.

Step 2: Attach the beam (C1) to the posts (A1/A2) using 6 M6 x 16 mm screws (1). Tighten with the Allen key (6).

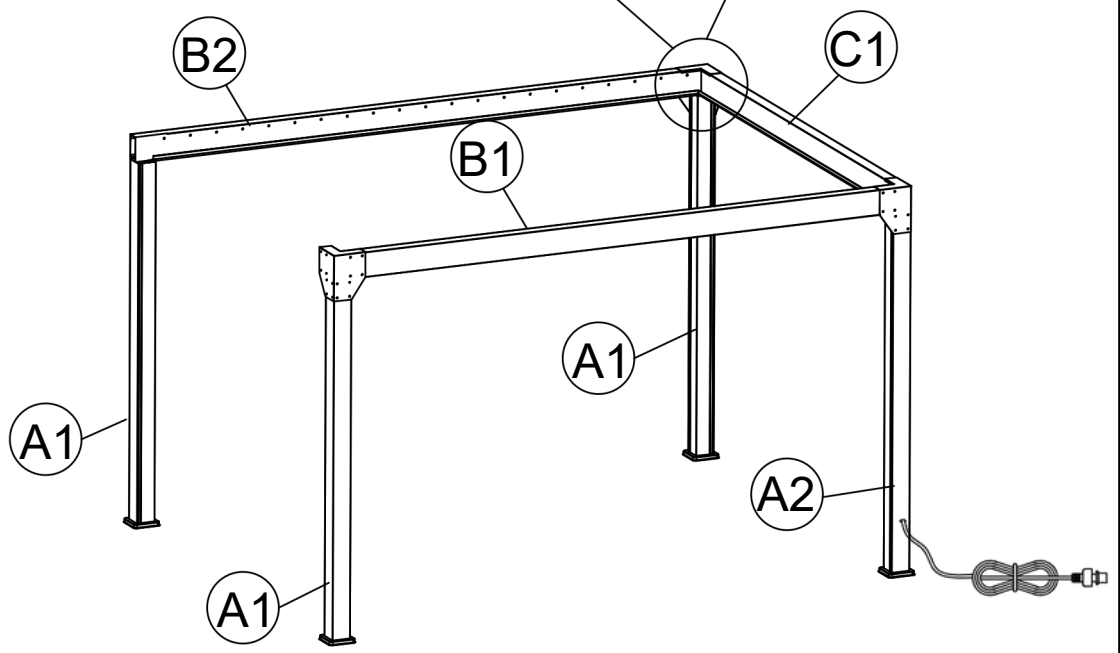
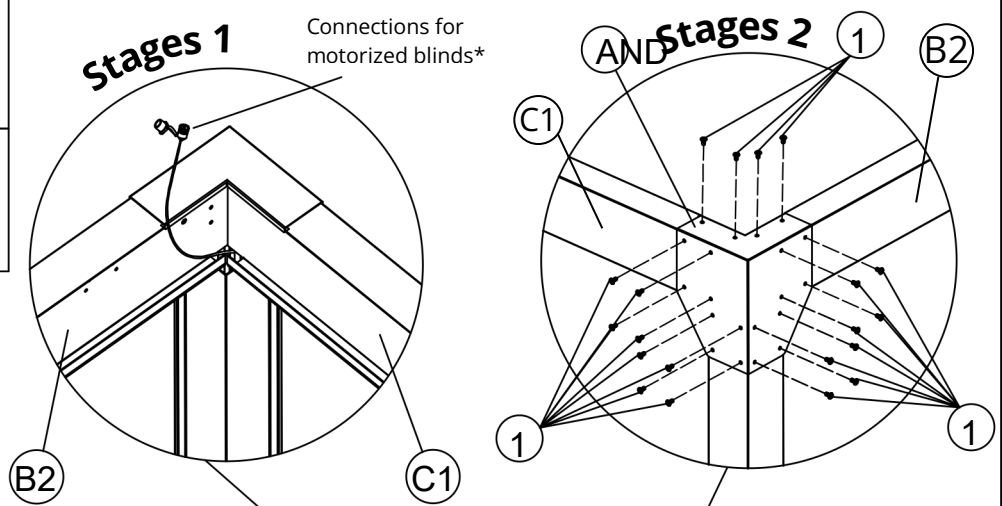


	B2	x1
	A1	x1
	AND	x1
	1	M6*16 x20
	6	x1


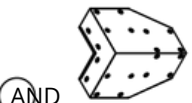


Step 1: Assemble the end of the rear beam (B2) to the side beam (C1) already installed.

Step 2: Use a fixing angle bracket (E) to secure the angle between (C1) and (B2). Secure the assembly with 20 M6 x 16 mm screws (1)

Position the last post (A1) under the beam (B2) previously placed.



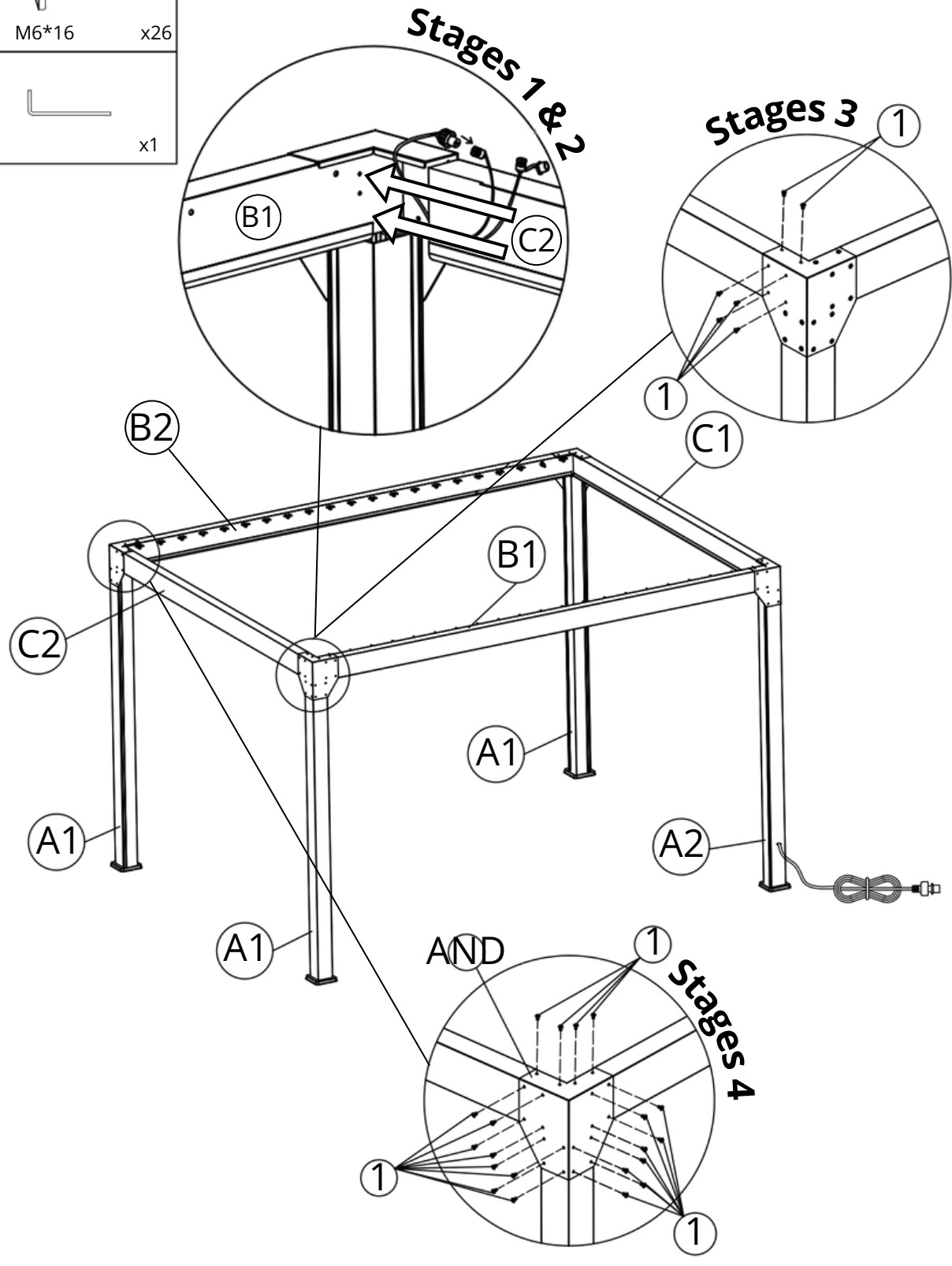
\*The connectors are used to connect motorized blinds sold separately. If you do not have blinds, close the cap on each connector and slide them into the channel. Blinds can be added later by retrieving the connectors.

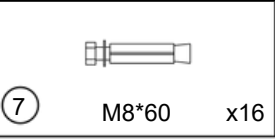
	C2	x1
	AND	x1
	1	M6*16 x26
	6	x1

Step 1 and 2: Install the last side beam (C2) between the front beam (B1) and the rear beam (B2).  
 Connect the motor connectors located in the corner (B1) (C2).  
**Important:** Connect together the connectors with identical labels to ensure proper operation. (Ex: V1 to V1, V2 to V2, etc.)

Step 2: Secure the first end of the beam (C2) with the beam (B1) and the post (A1) using 4 M6 x 16mm screws (1).

Step 3: Secure the second end of the beam (C2) with the beam (B2) and the post (A1) using 1 angle bracket (E) and 16 M6 x 16mm screws (1).



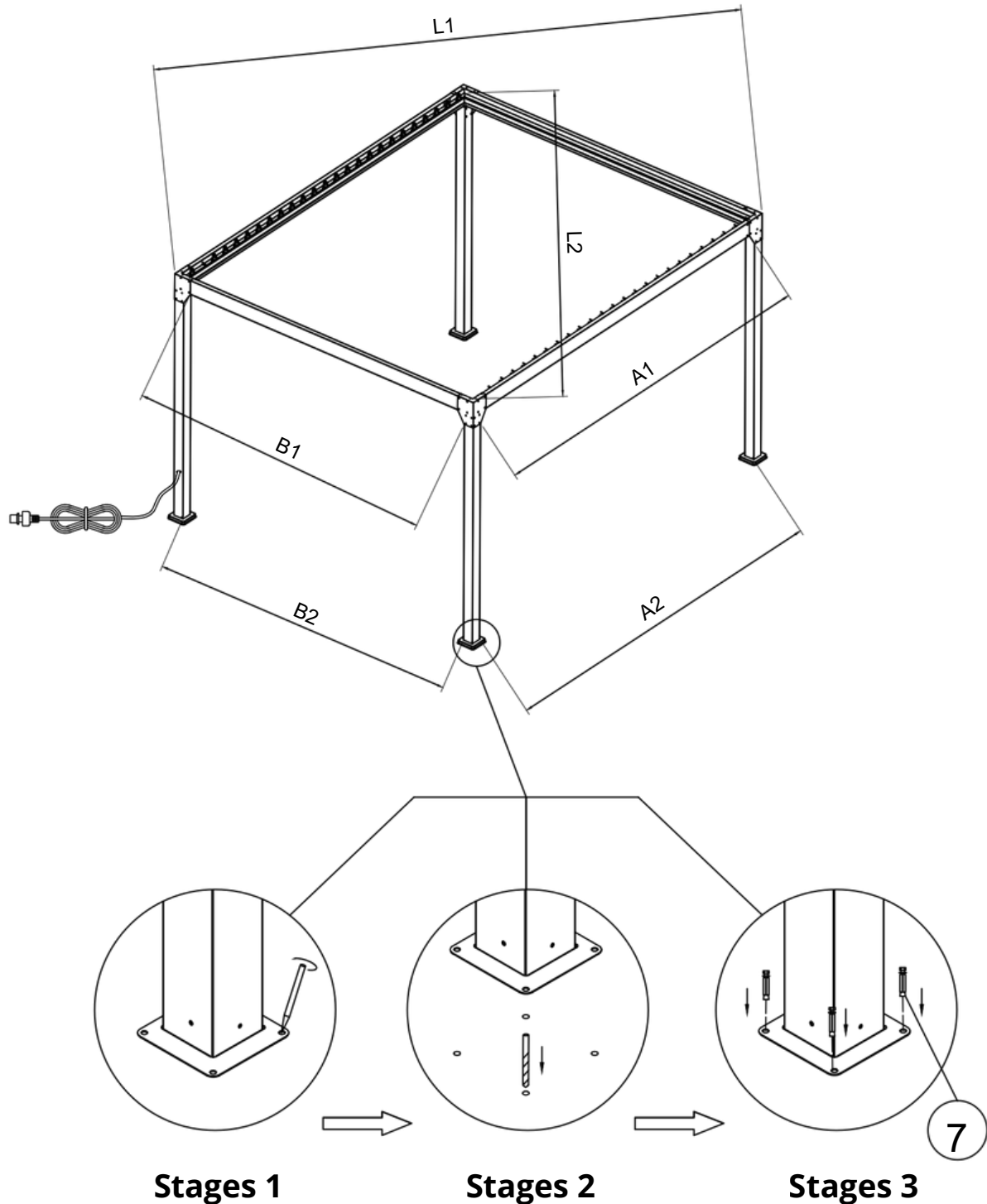


**Squareness Check (Crucial):** Before fixing to the ground, measure the diagonals (L1 and L2). They must be nearly identical ( $L1=L2$ ) to ensure the structure is rectangular. Also check that the widths ( $A1=A2$ ) and lengths ( $B1=B2$ ) are equal at the top and bottom of the posts.

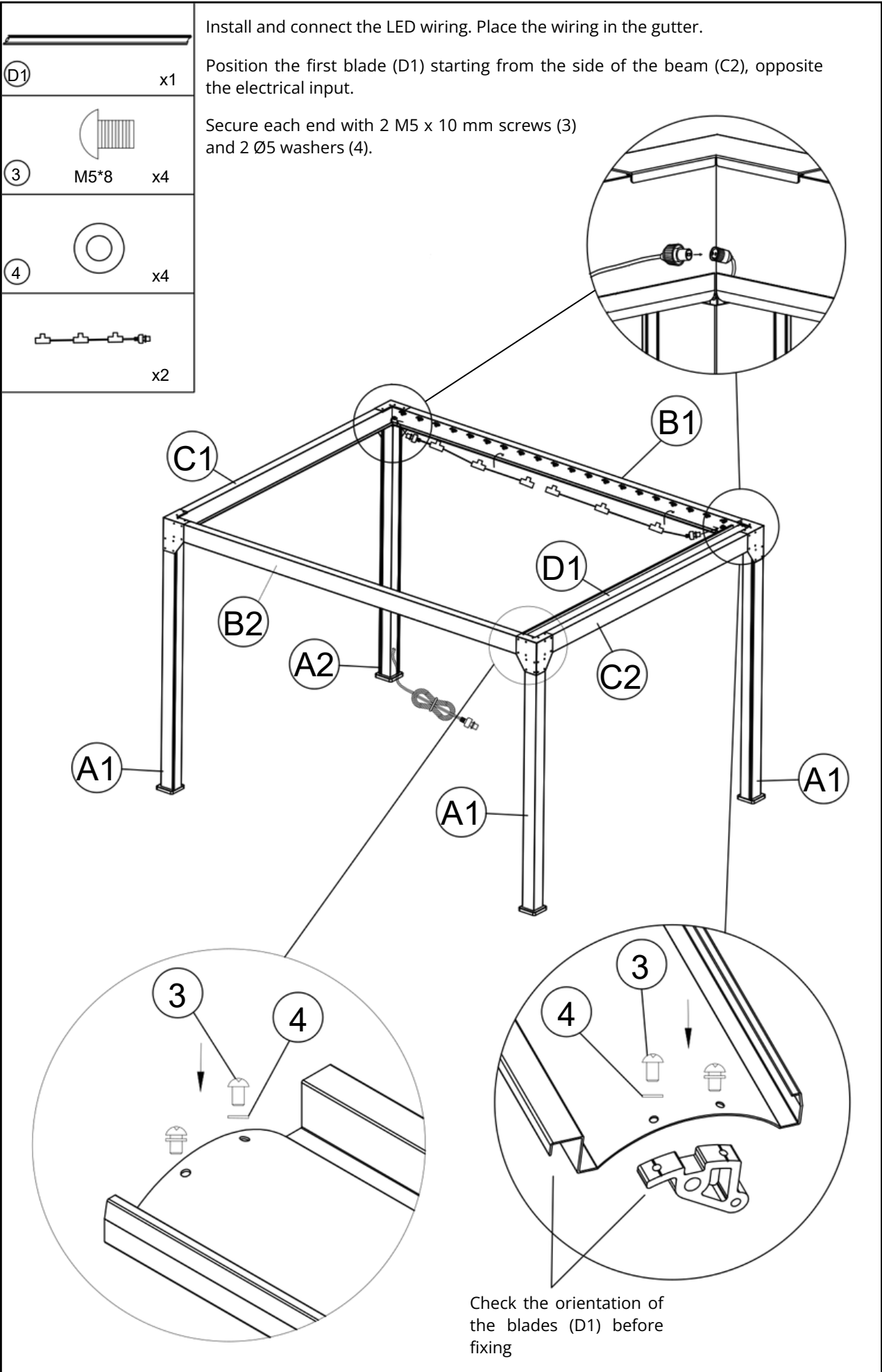
Step 1: Mark the location of the holes on the ground through the plates.


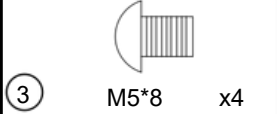

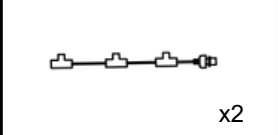
Step 2: Slightly shift the posts to drill, then put them back in place



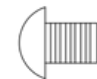

Step 3: After checking that it is square, anchor the pergola to the ground at the four corners. Use the  $\varnothing 10$  mm masonry drill bit and the M8 x 60 wall plugs and screws (7).



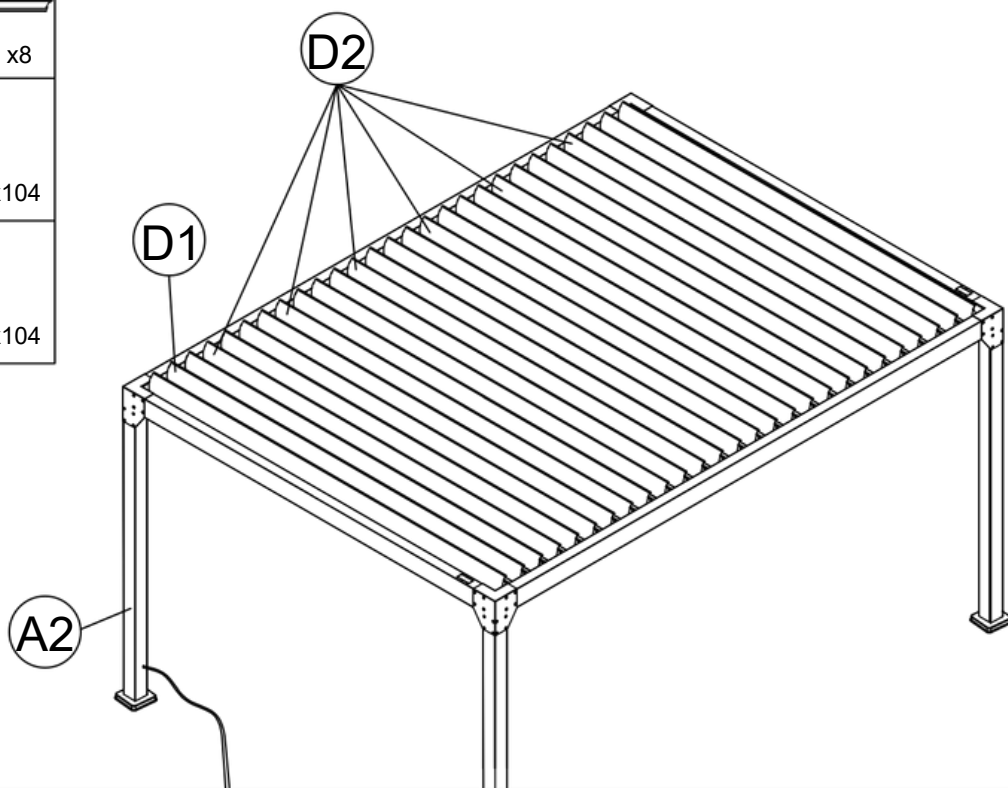
Lower the foot covers (H) to conceal the plates and floor fixings.



-  D1 x1
-  3 M5\*8 x4
-  4 x4
-  x2

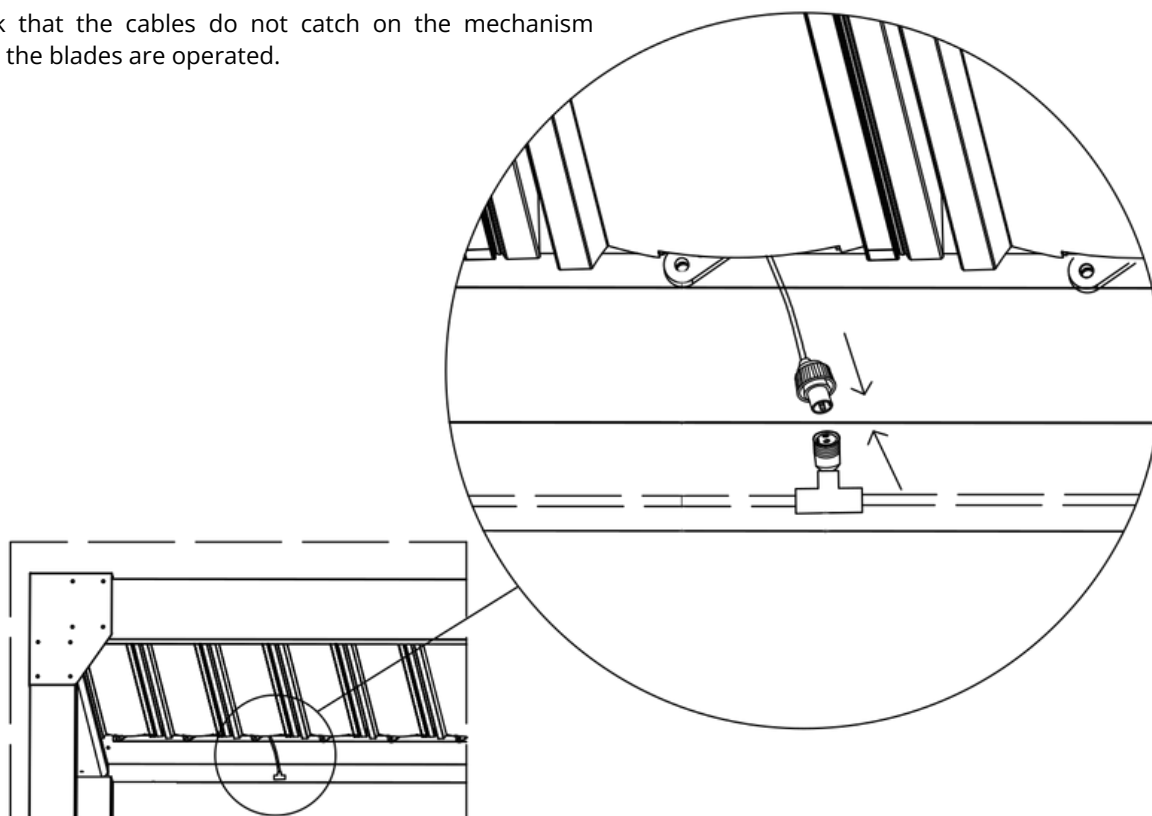
	D1	x23
	D2	x8
	3	M5*8 x104
	4	x104



The LED blades (D2) must be installed in positions 4, 8, 12, 16, 20 and 24. (Count the positions from the first blade installed).



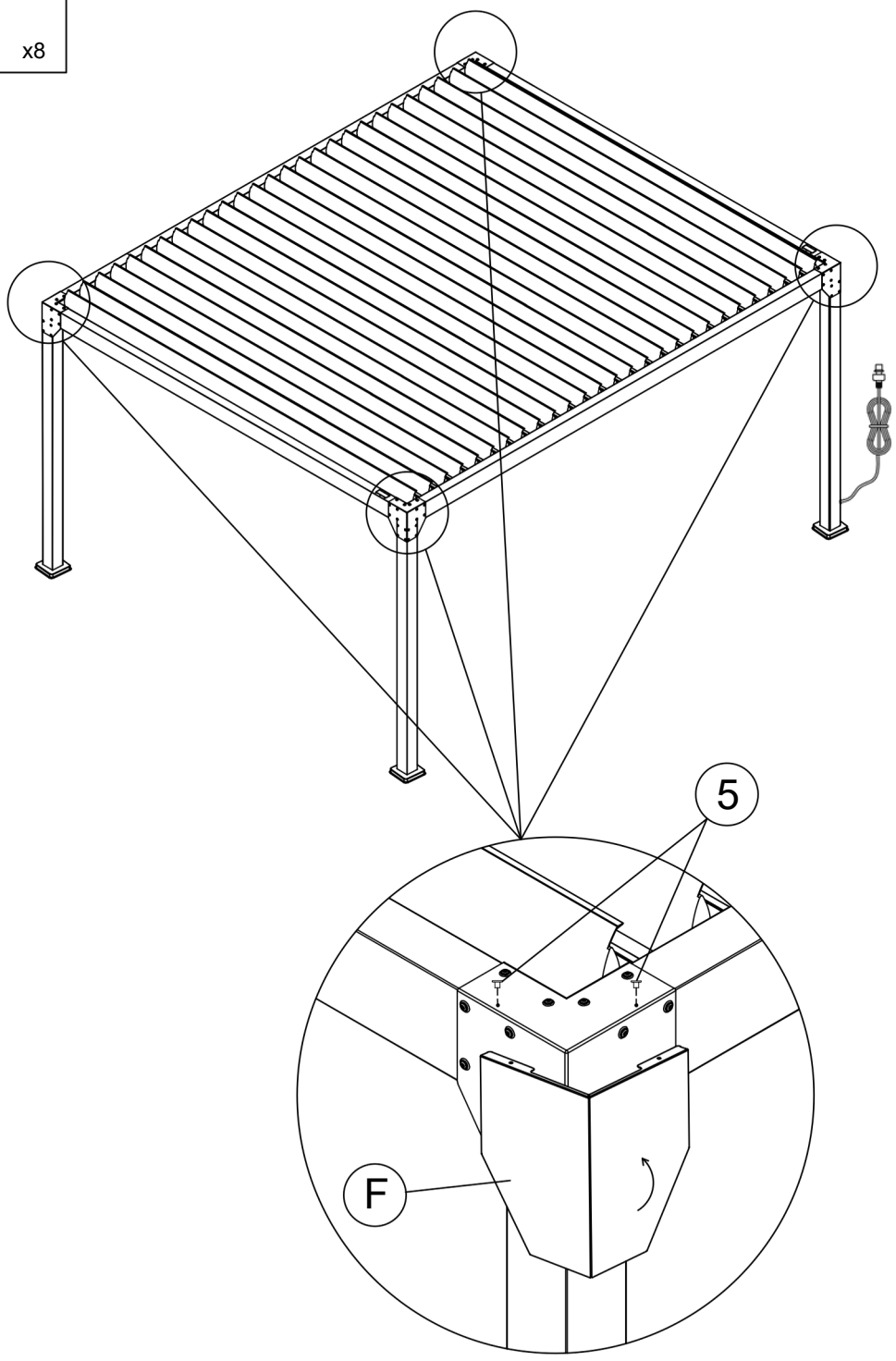
Connect the cable of each LED blade to the socket on the LED strip connectors. Carefully place the cable in the gutter.

Check that the cables do not catch on the mechanism when the blades are operated.



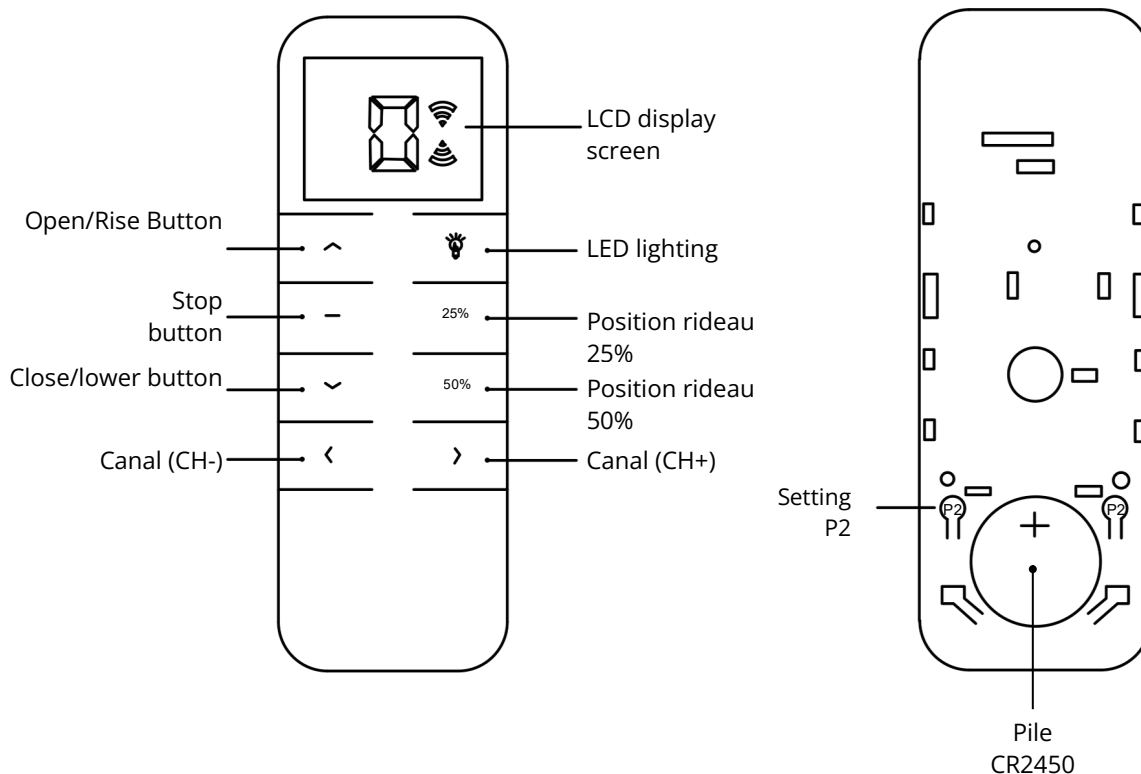
F		x4
5		x8

Position the corner caps (F) on the four upper corners of the pergola.  
 First insert the lower part against the upright, then press the upper part against it.  
 Screw the covers in place using the M4 x 4 mm screws (5) in the pre-drilled holes  
 (2 screws per corner)



## 6. Remote control information

### 6.1 Remote control operation



#### IMPORTANT

- Keep the remote control dry and away from shocks to avoid affecting its lifespan.
- If you notice that the remote control's range has become noticeably shorter or its sensitivity has decreased during use, please check if the battery needs to be replaced.
- When the voltage drops below 2.6V, the battery icon is displayed to indicate low voltage.
- During the initial setup, ensure that the remote control displays all the information correctly when the different buttons are pressed.

1. Plug the first end of the power cable into a mains socket and then connect the second end to the pergola cable.
2. An audible signal indicates that the pergola is electrically connected.
3. Wait a few seconds before using the remote control.
4. Your remote control is pre-programmed according to your product model. Below you will find the remote control functions specific to your product model.

## 6.1 Use and features of the remote control

### PERGOLA MONOZONE P12E4X3... / P15E5X3... / P16E4X4...

**Channel 0:** Controls the tilt of all slats and the raising/lowering of all curtains\* **Channel 1:** Controls the tilt of all slats **Channel 2:** Controls the raising/lowering of all curtains



**Channel 0** only allows for lighting or complete switching off of the pergola. Channels 1 and + do not allow lighting control.

### PERGOLA BIZONE P18E6X3... / P20E5X4... / P24E6X4... / P32E8X4...

**Channel 0:** Controls the tilt of all slats and the raising/lowering of all curtains\* **Channel 1:** Controls the tilt of the slats in the primary zone **Channel 2:** Controls the tilt of the slats in the secondary zone



**Channel 0** only allows for lighting or complete switching off of the pergola. Channels 1 and 2 allow for the lighting and switching off of primary and secondary zones respectively. Channels 3 and above do not allow lighting control.

### PERGOLA RETRACTABLE PR12E4X3... / PR15E5X3... / PR18E6X3...

**Channel 0:** Controls the tilt (1x) and the retraction (2x) of all the slats, the raising/lowering of all the curtains\* **Channel 1:** Controls the tilt of all blades. **Channel 2:** Controls the retraction of all blades.



Channels 0 and 1 allow the pergola to be lit or completely switched off. Channels 2 and above do not allow lighting control.

**ATTENTION:**  
The blades can only be retracted when they are in a vertical position. Ensure the blades are fully tilted in the vertical position before retracting them.

### ANY MODEL

Channels 3 and above: Control the raising and lowering of the curtains on all models.

\*Motorized curtains are accessories sold separately.

## 7. Troubleshooting & Frequently Asked Questions

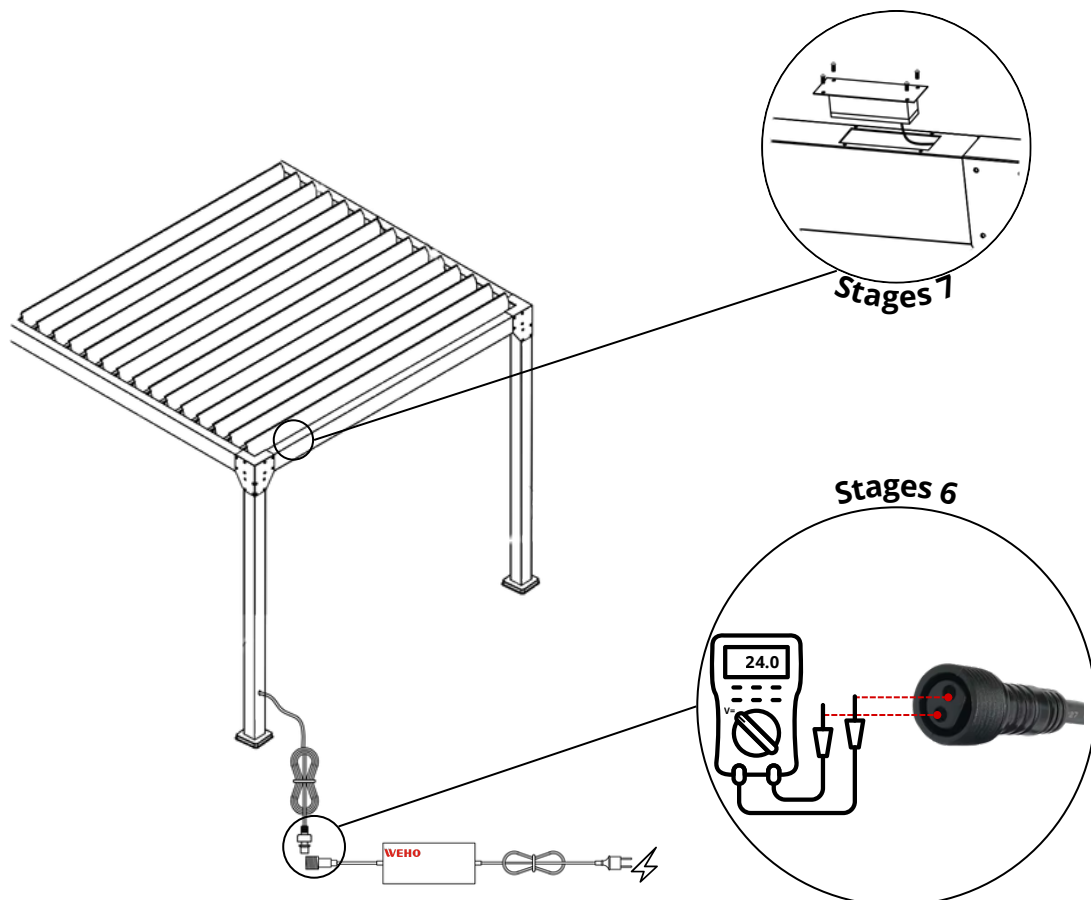
- **I can't get my pergola to work. What should I do?**

1. I check that the remote control is working correctly (the LCD screen lights up when a button is pressed).
2. I check that I am on the correct channel (see page 19).
3. I make sure to hear a "BEEP" when connecting the pergola power supply to the household outlet.
4. I check the proper functioning of the household socket using a multimeter or an accessory such as a phone charger or lamp.
5. I check that all the power cables are correctly connected to each other after having previously disconnected the power supply (see pages 11 and 13).
6. I check for the presence of 24V current at the transformer output using a multimeter\*. (see diagram below).
7. I check that the screws securing the electrical cables in the control box are properly tightened, having first disconnected the power supply. (see diagram below).

\*Procedure for verifying the presence of 24V current:

This is a low-voltage electrical test. There is no risk of electrocution.

Get a multimeter. Turn on your multimeter in voltmeter mode (V= or V DC). Insert each probe of your wires into each of the pins of the connector located at the output of the transformer.



- **Do I need to take any steps before installing my products?**

Installing a bioclimatic pergola, carport or garden shed requires some administrative procedures depending on its dimensions and location.

Our garden sheds have a footprint of 5m<sup>2</sup> to 20m<sup>2</sup> and are subject to prior declaration of works. For our models smaller than 5m<sup>2</sup>, you do not need planning permission, but you must still comply with the rules of the Local Urban Development Plan (PLU) or equivalent urban planning document.

Bioclimatic pergolas and carports with a surface area greater than 5m<sup>2</sup> and less than or equal to 20m<sup>2</sup> are subject to prior declaration of works.

For bioclimatic pergolas and carports with a surface area greater than 20m<sup>2</sup>, you must submit a building permit application.

**Special cases:**

- Classified site or protected area: before any installation, it is necessary to obtain the agreement of the Architects of the Buildings of France (ABF).
- Condominium regulations: if you are in a condominium, authorization from the general meeting may be required.
- Local Urban Planning (PLU): some municipalities have specific restrictions (height, color, materials), it is advisable to consult the town hall before purchasing a product.

**The development tax:**

Garden sheds larger than 5m<sup>2</sup> are subject to the development tax, unless exempted by the municipality. The amount is calculated on a flat-rate basis per m<sup>2</sup> and varies depending on the location.

- **Can I order the accessories for my bioclimatic pergola at a later date?**

Yes, our bioclimatic pergolas are modular. Curtains or panels can be added later. Please be careful to check the compatibility of the accessories with your pergola model before placing your order.

- **How does the delivery of my products work?**

Our garden sheds, bioclimatic pergolas, and sunshades are delivered by a carrier. They will contact you to schedule a delivery appointment, which will be made using a semi-trailer equipped with a forklift.

Our curtains are delivered by a traditional carrier.

For a stress-free assembly, find all our assembly instructions in video format on our YouTube page and on our website by clicking on the following link or by scanning the QR code.

<https://www.youtube.com/@greenoutside8067>



<https://green-outside.com/>



## 8. Warranty and contact

Your product is covered by a legal guarantee against any manufacturing defects. You can find the details of the Green Outside legal guarantee by clicking on the following link.

<https://green-outside.com/procedure-sav/>

or by scanning the QR code



For any warranty claim or in case of a problem with your product, please contact Green Outside customer service using the following contact details:

[sav@green-outside.com](mailto:sav@green-outside.com)

04 74 55 36 54 - Option 2

As part of its policy of continuous improvement, Green Outside reserves the right to modify its products without prior notice.

For more information on Green Outside products:  
[info@green-outside.com](mailto:info@green-outside.com) and [www.green-outside.com](http://www.green-outside.com)