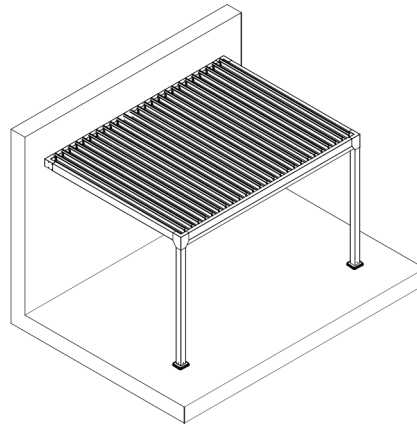
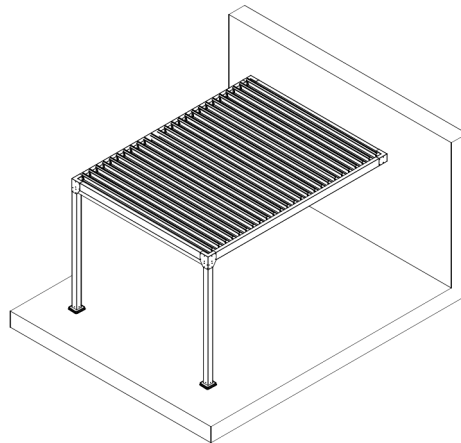


ASSEMBLY INSTRUCTIONS

BIOCLIMATIC WALL-MOUNTED PERGOLA - 3X4

ATTACHED PERGOLA



Before you begin assembling your product, make sure you use the necessary personal protective equipment and follow the assembly instructions.



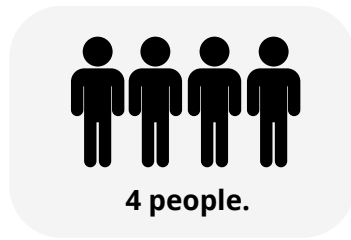
sav@green-outside.com



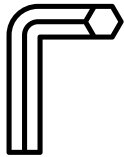
LE TRI + FACILE NOTICE PAPIER & CARTON



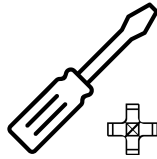
1. SAFETY INFORMATION AND INSTRUCTIONS



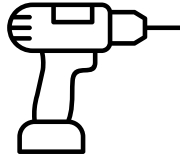
1.1 Tools needed



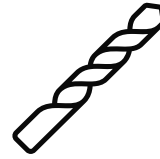
1 Allen key Ø4



1 Phillips
screwdriver
(PH1)



1 Rotary hammer



1 concrete
drill bit Ø10



1 ladder per person

1.2 Safety instructions

To ensure safe installation of your product, certain rules must be followed:

- Wearing personal protective equipment (gloves, safety shoes, safety glasses, etc.) is strongly recommended.
- Keep children away from the construction site.
- Choose a suitable location for the installation of your product (flat and hard ground allowing for secure anchoring and not exposed to strong winds).
- Ensure that the fixing points do not coincide with cable passages, conduits or other pipes.
- When installing a pergola, ensure that the ground has a 1% slope to allow rainwater to drain away.
- The installation must not be carried out in adverse weather conditions (rain, wind, snow, etc.).
- In bad weather (wind, rain, snow), it is recommended to keep the rotor blades in a semi-open position to promote air circulation and prevent snow accumulation.
- To ensure system safety and the longevity of its components, electrical elements (transformer, remote control, etc.) must be installed in a dry, well-ventilated, and frost-free location. Humidity or extreme temperatures will void the warranty. Please note that a weatherproof outlet is required for each outdoor connection.

1.3 Unpacking the product

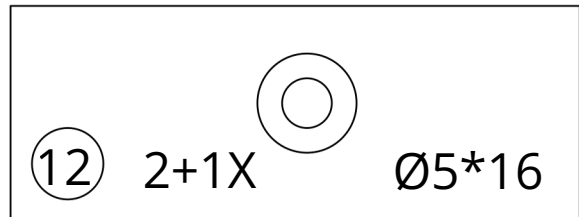
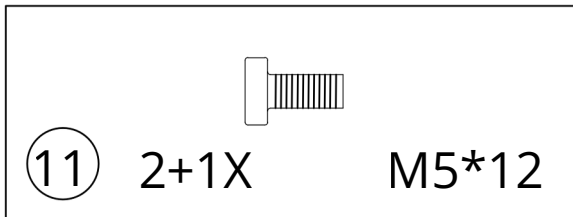
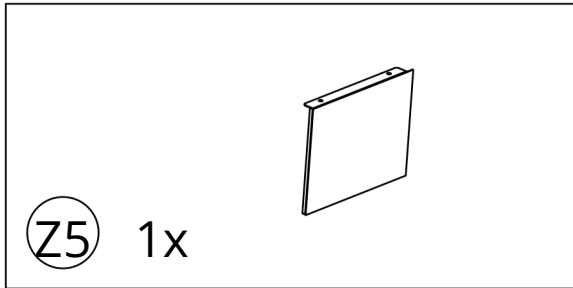
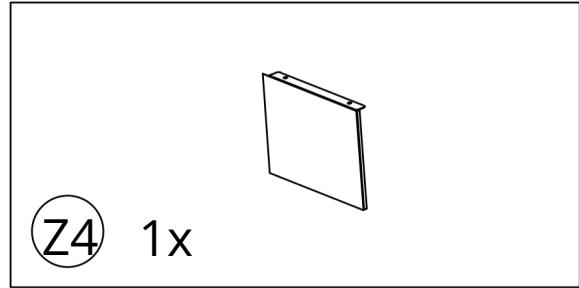
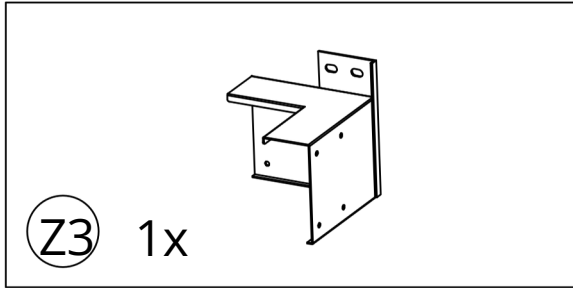
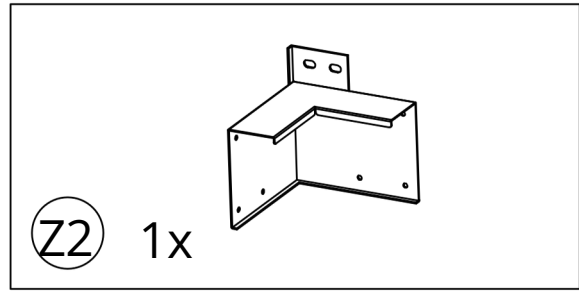
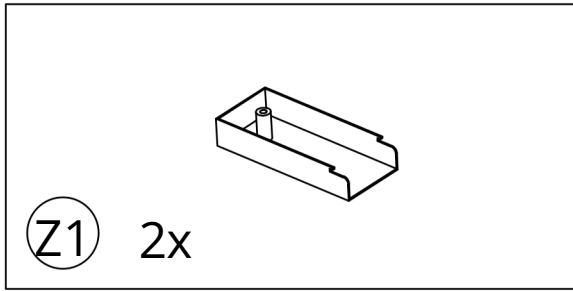
When opening the boxes, be careful not to use a cutter or any other blade that could damage the product. The boxes are labeled with their contents. Before beginning assembly, please ensure that you have all the items listed in the parts list and that they are correct.

1.4 Maintenance tips

- We recommend that you regularly clean your product by removing leaves, twigs or other elements that may hinder its proper functioning.
- Your product can be cleaned with soapy water.
- Never use high-pressure cleaners, corrosive products or solvents.

If a component is missing or damaged, or if you have any questions, please contact Green Outside customer service:

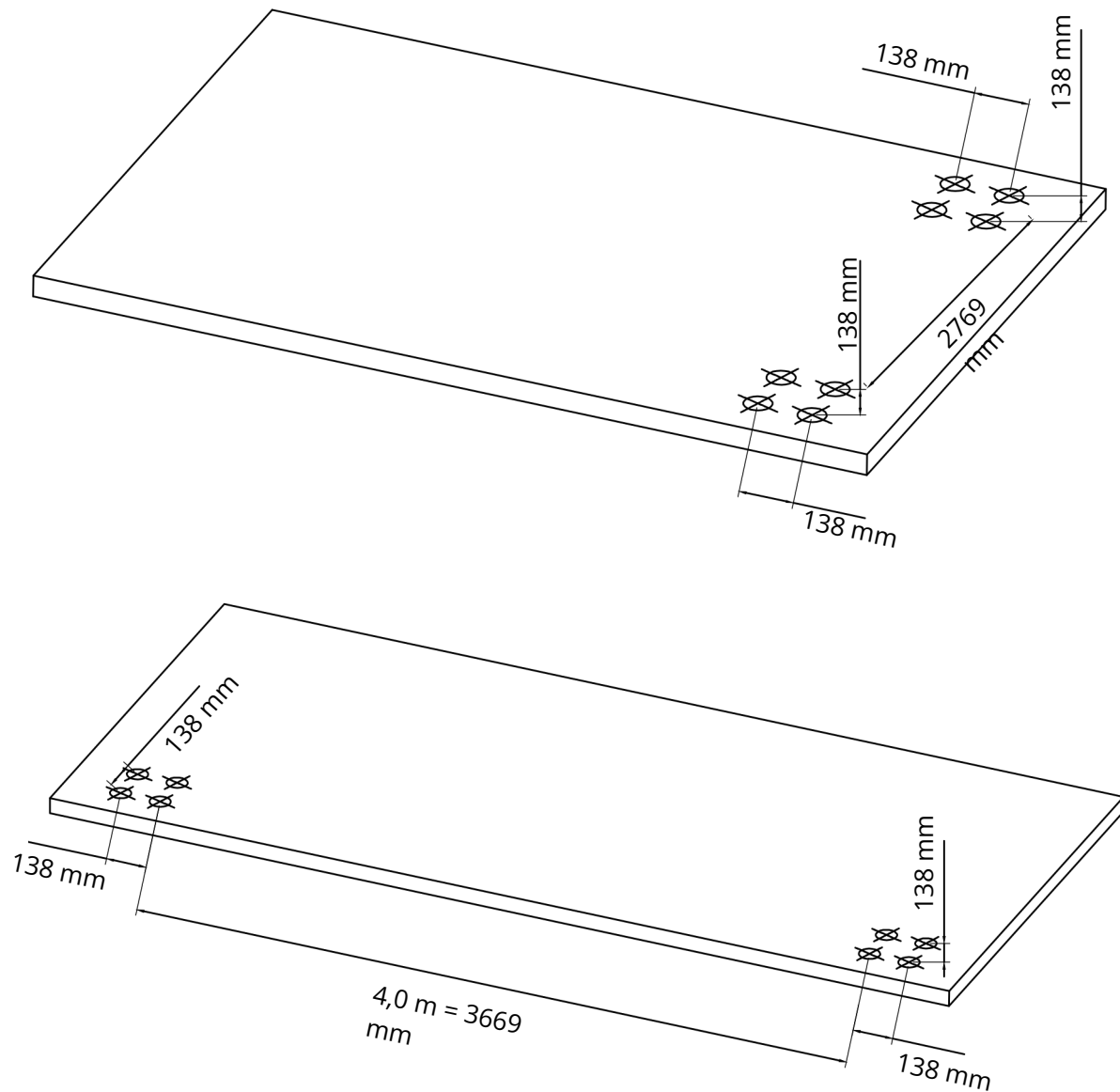
sav@green-outside.com



2. Furniture

For the installation of your pergola, the ground must have a slope of 1% to ensure the drainage of rainwater. Below you will find the distances between the drilling centers for anchoring your pergola in the ground after installation.

IMPORTANT: Accessories such as curtains and panels should only be attached once the product assembly is complete and it is securely anchored to the ground.





4. ASSEMBLY PREPARATION

4.1 Zone d'assemblage :

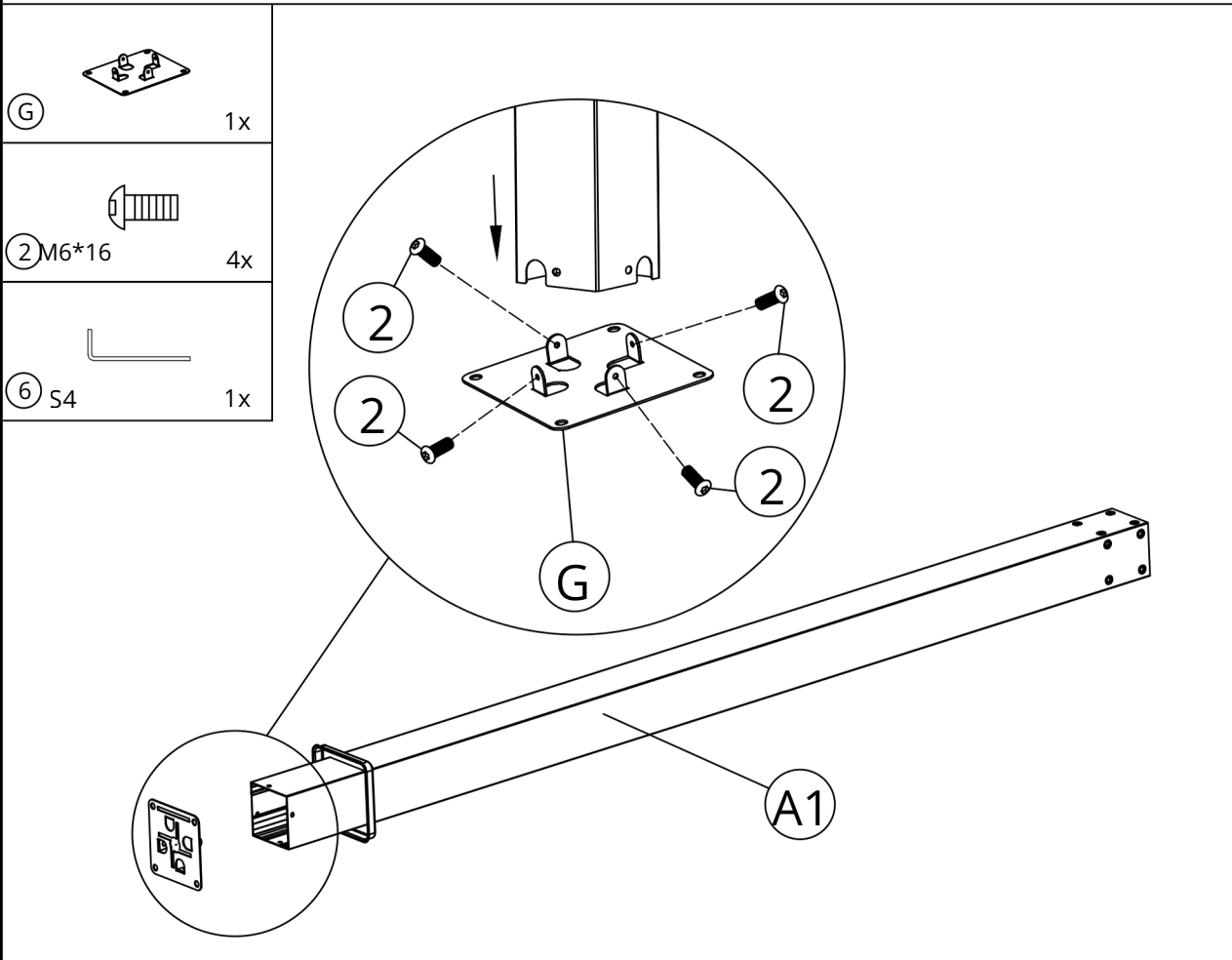
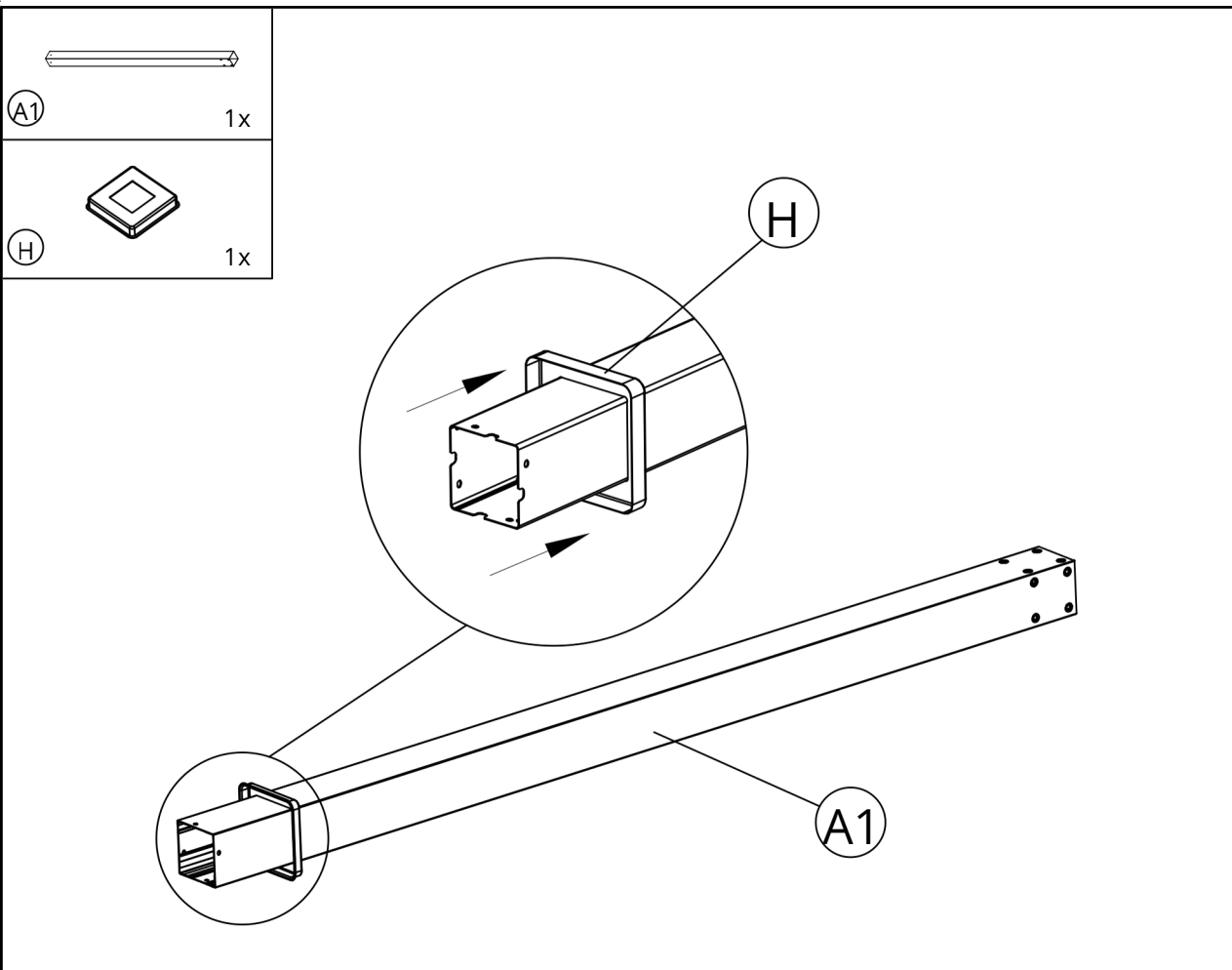
To facilitate assembly, an assembly area is required with a size at least equal to that of the pergola plus 1 meter. Use floor protectors to prevent scratches.

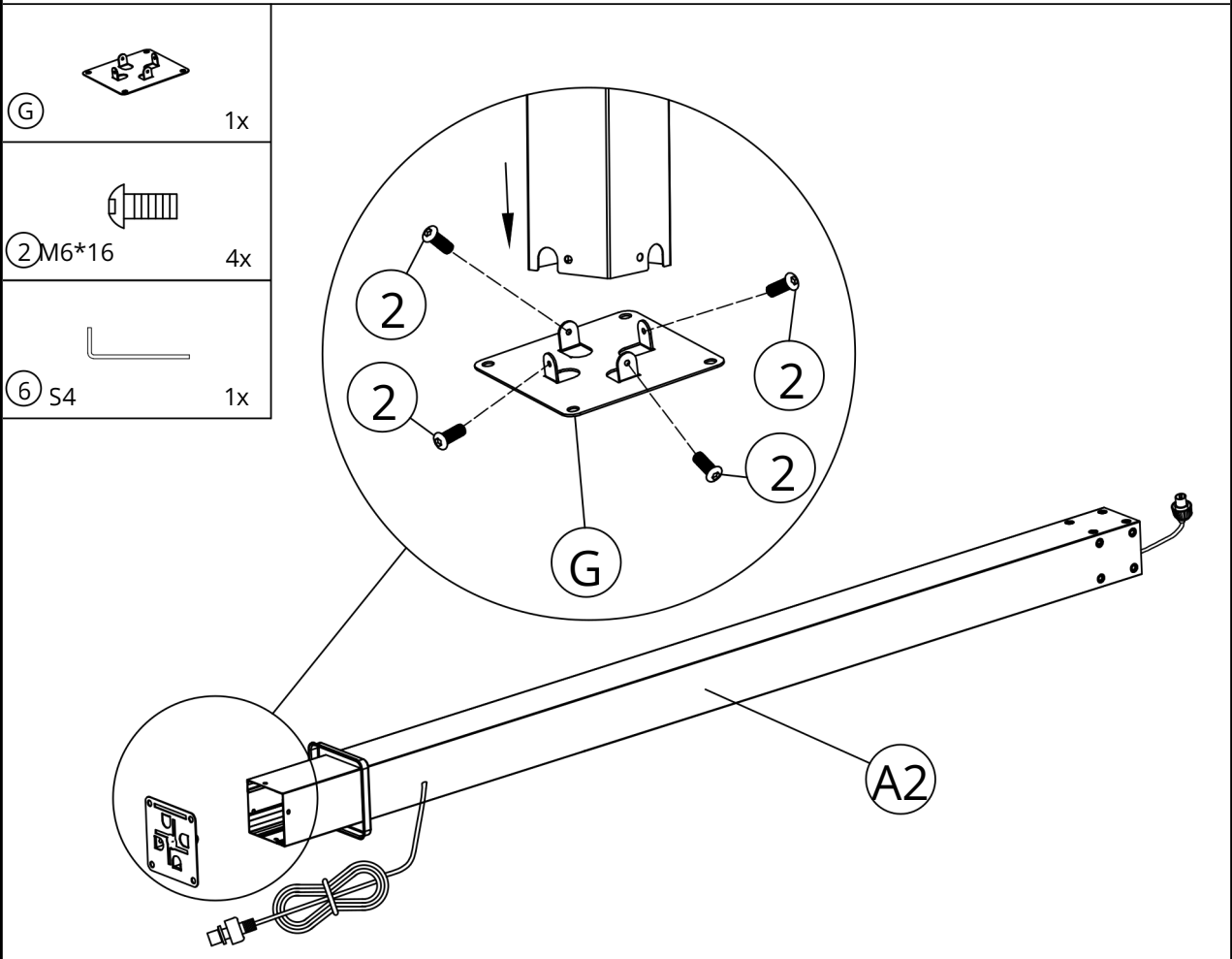
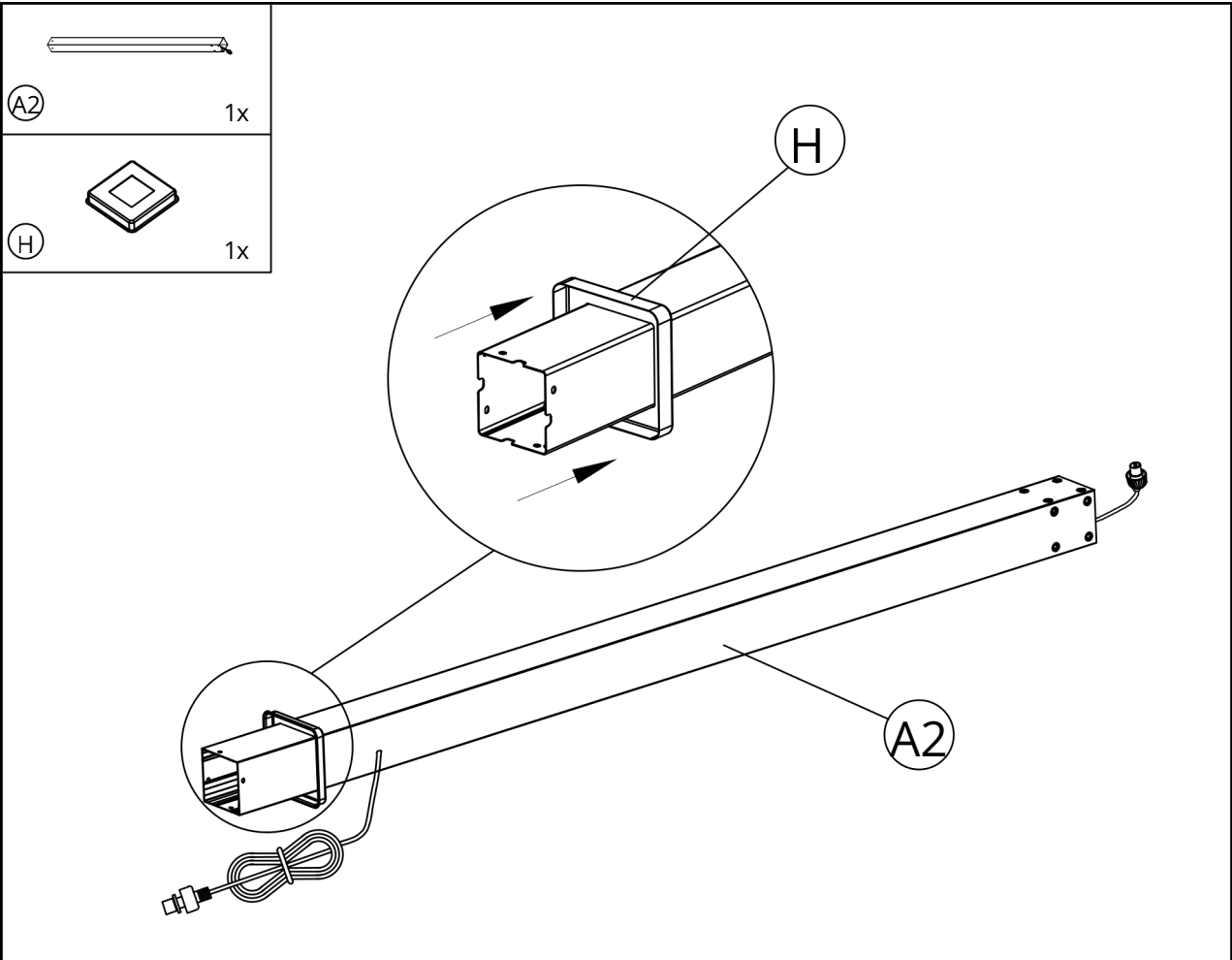
4.2 Position of the LED strips:

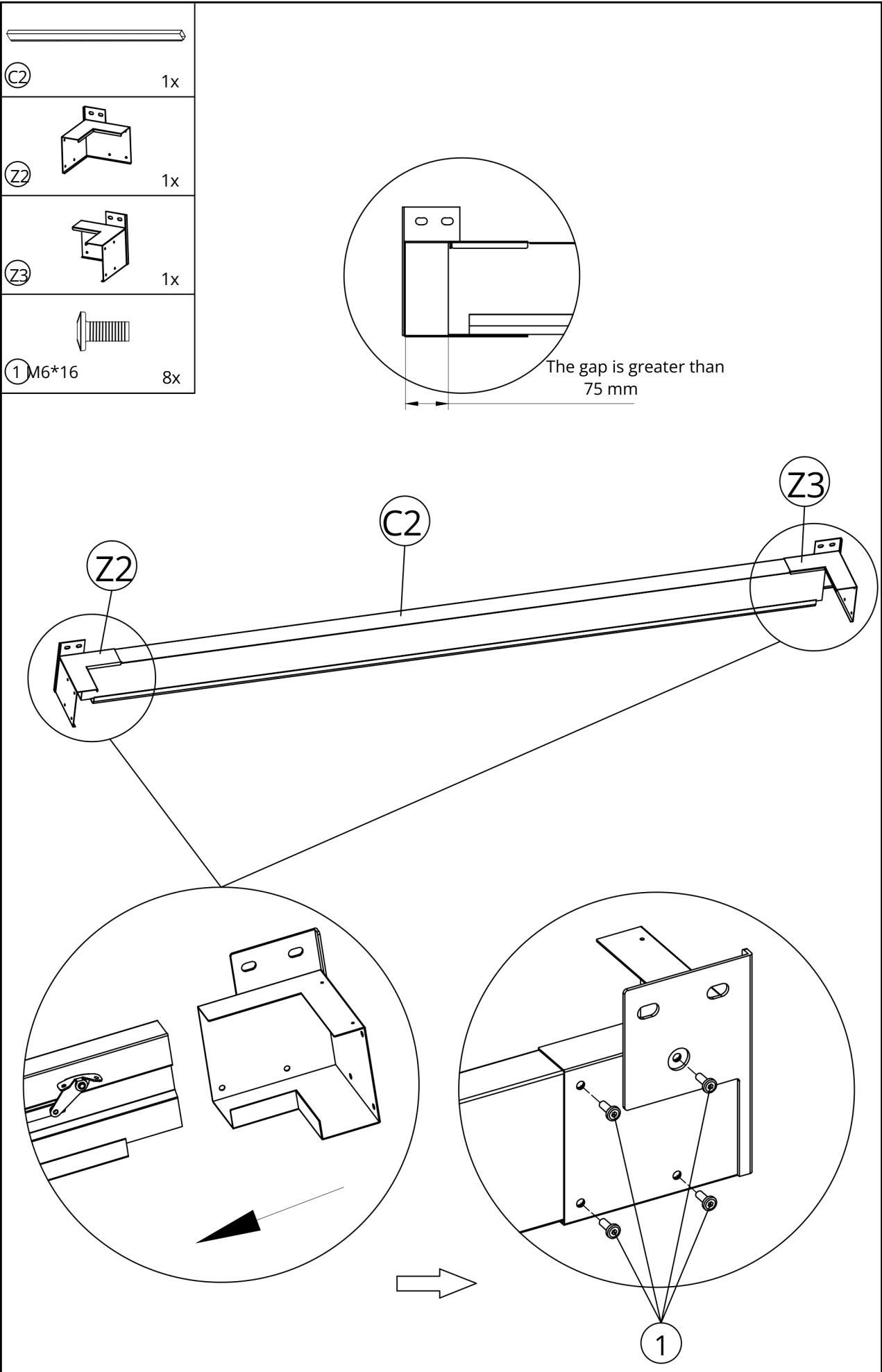
Their product range includes standard ceiling louvers and louvers with integrated LED lighting. LED louvers should be installed in the following locations:

- Lamas 3, 7, 11, 15, 19 (page 16)

5. ASSEMBLING THE PERGOLA



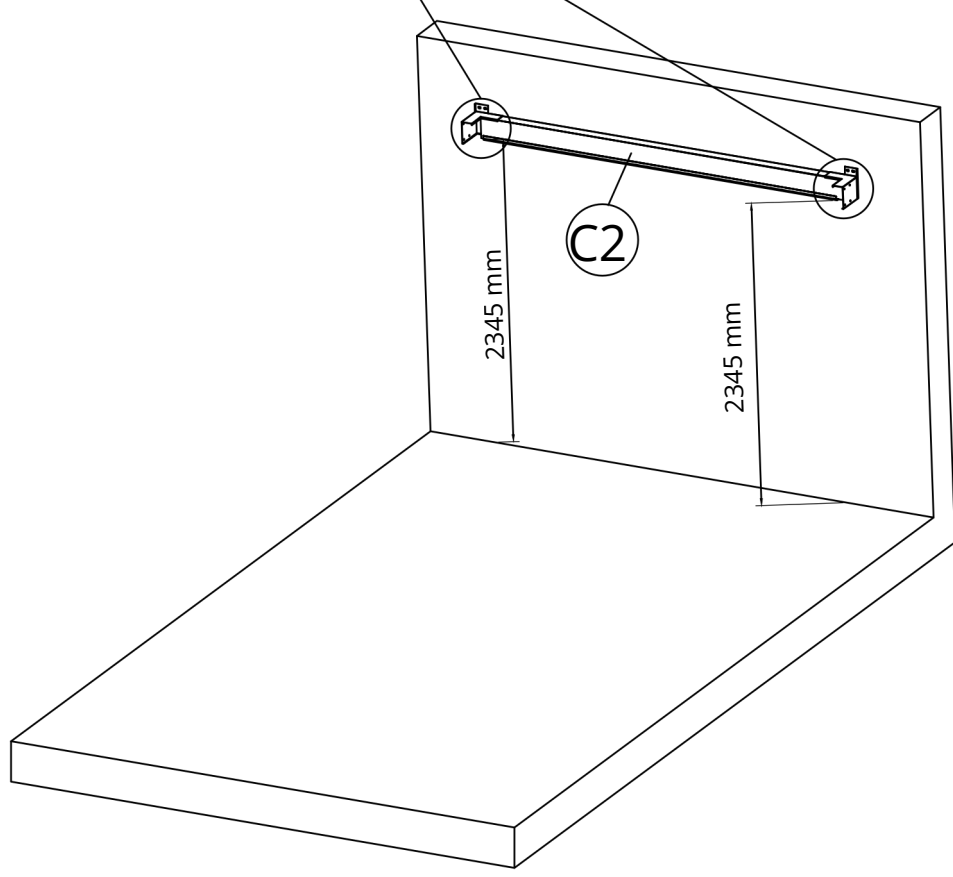
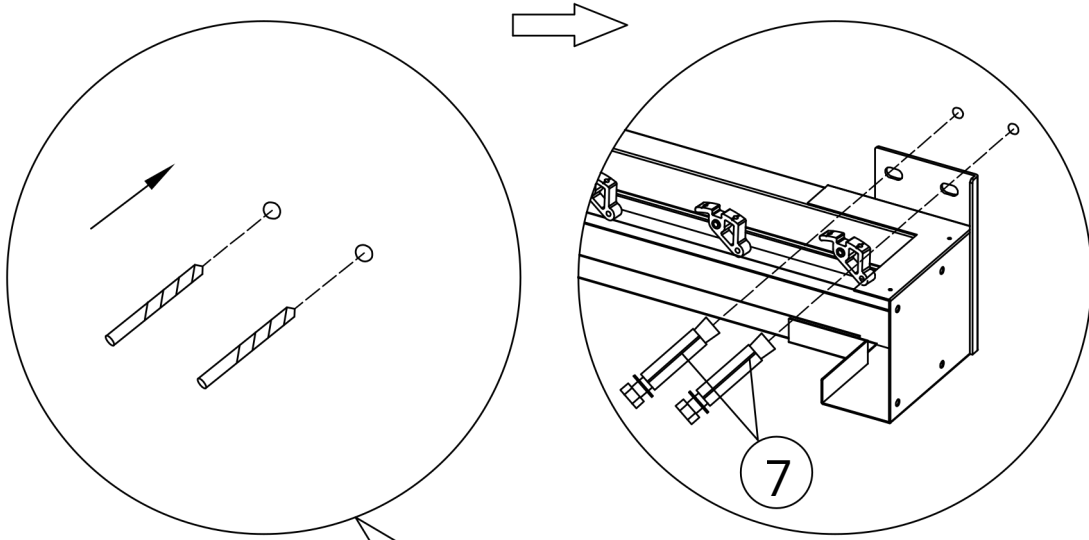





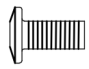
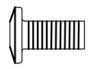
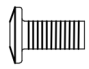


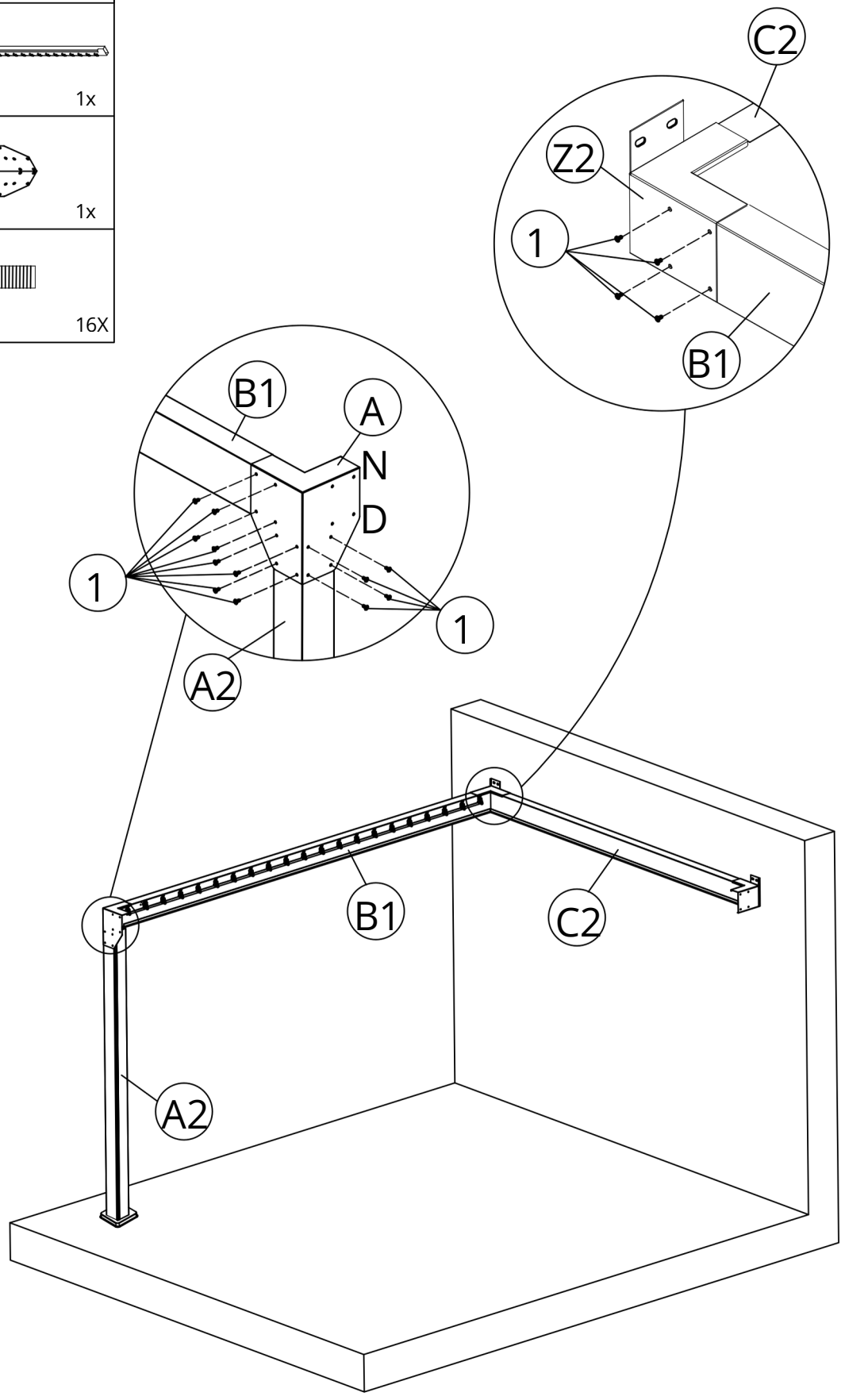


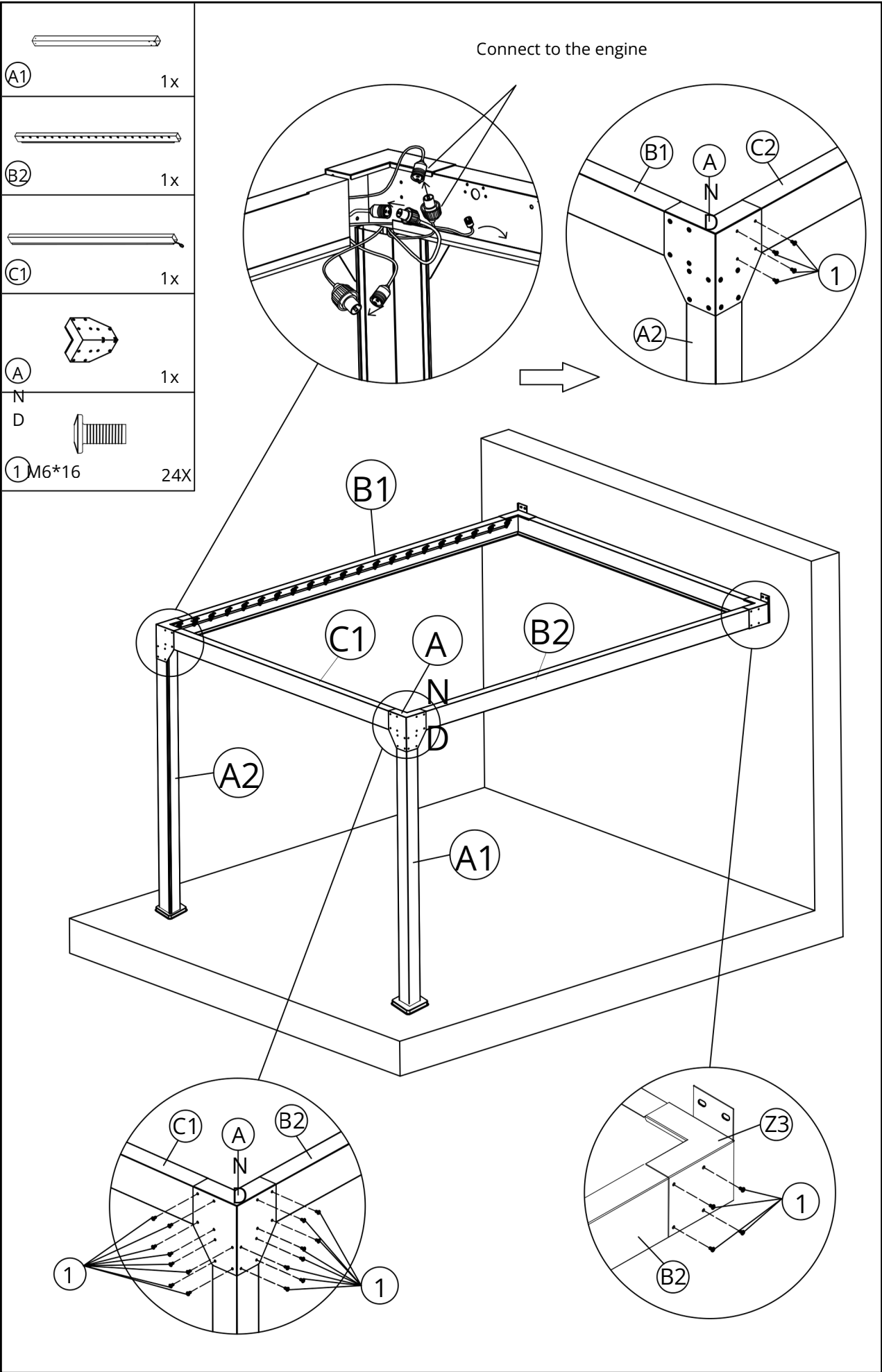
⑦ M8*60

4x



	(A2)	1x
	(B1)	1x
	(A)	1x
	N	
	D	
	(1)	M6*16
		16X

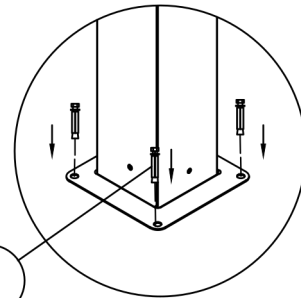
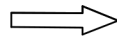
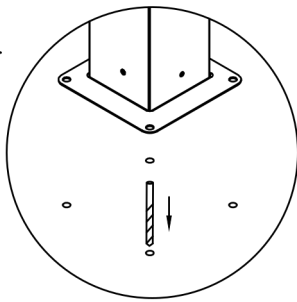
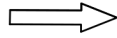
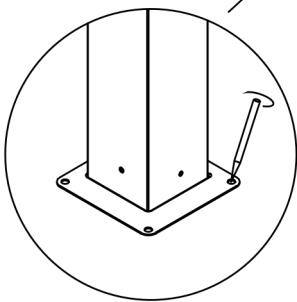
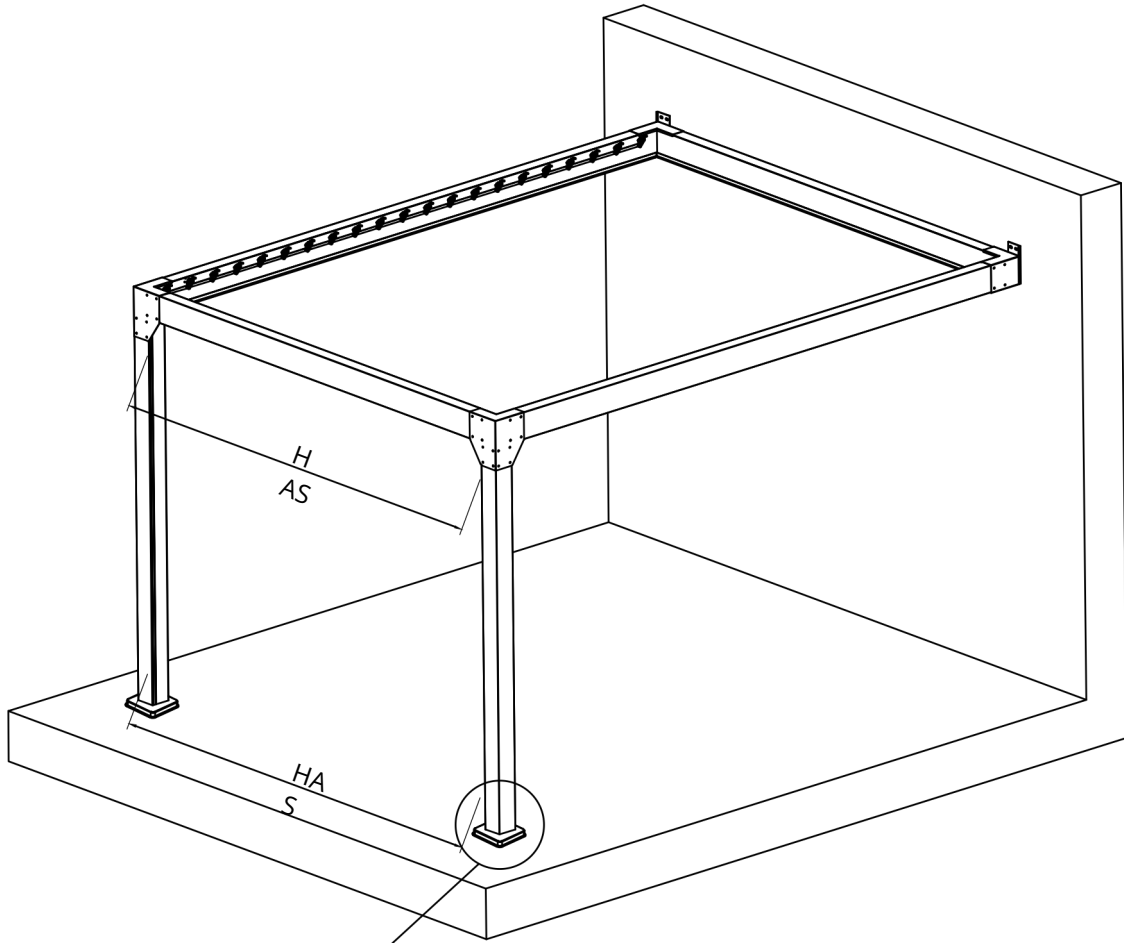




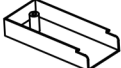

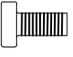


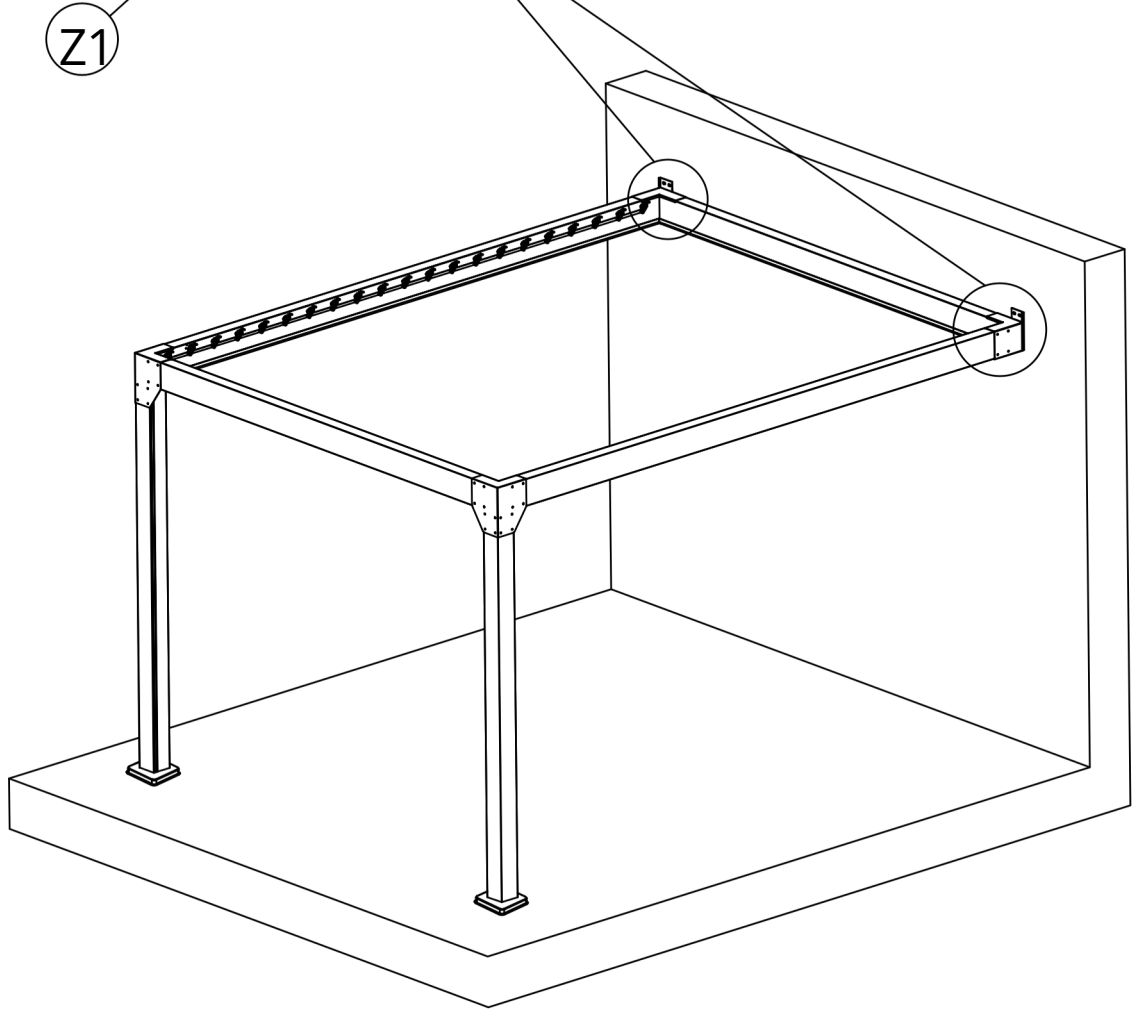
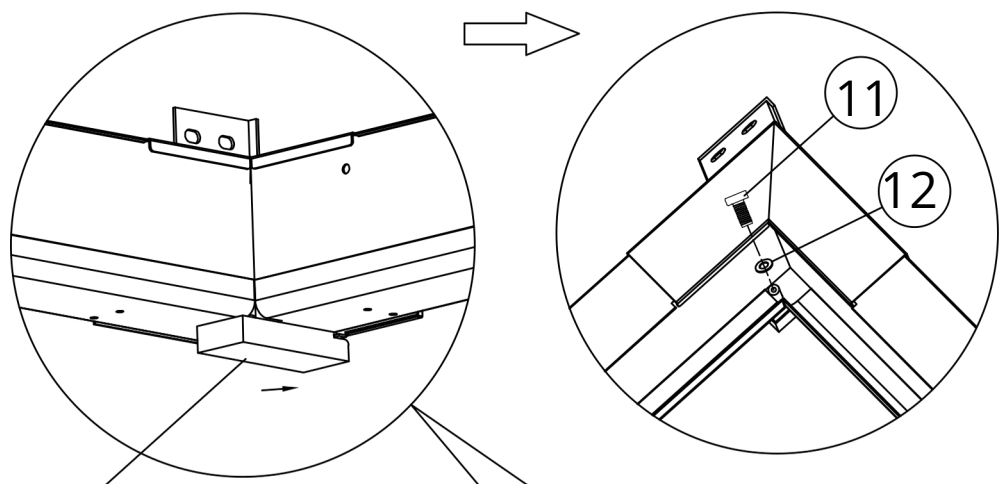
7 M8*60

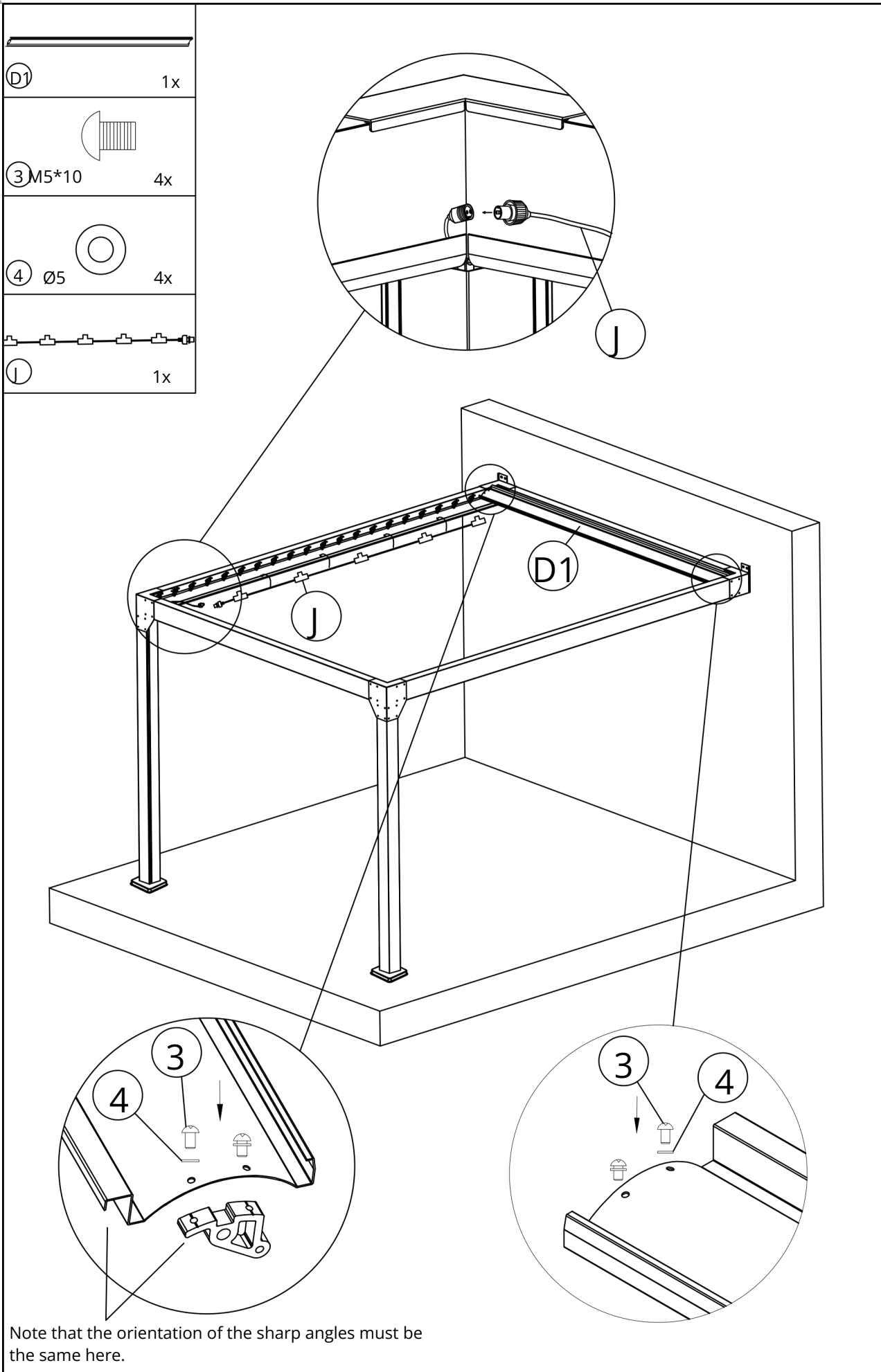
8x



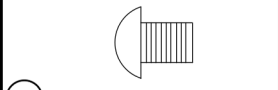



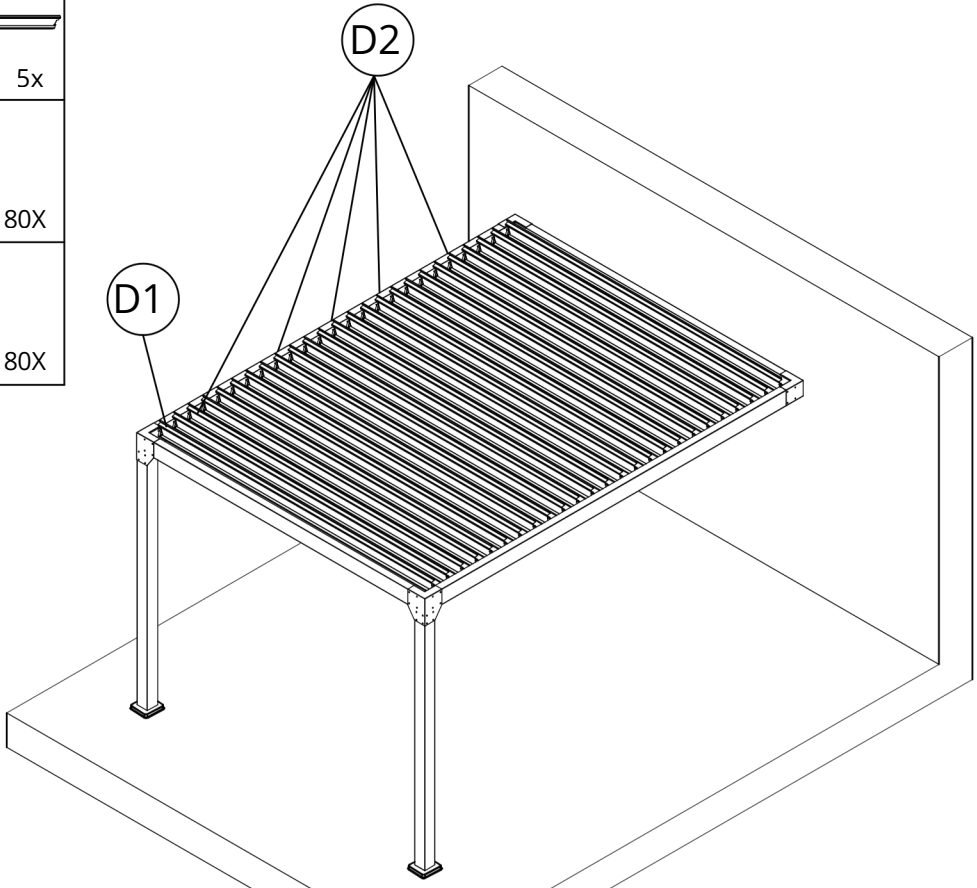
7

-  (Z1) 2x
-  (12) Ø5 2x
-  (11) M5*12 2x

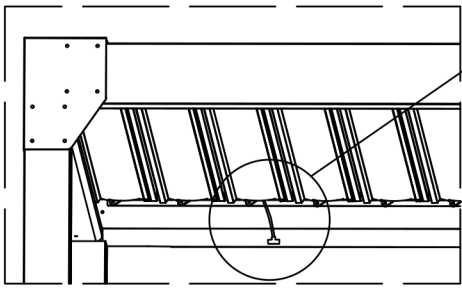
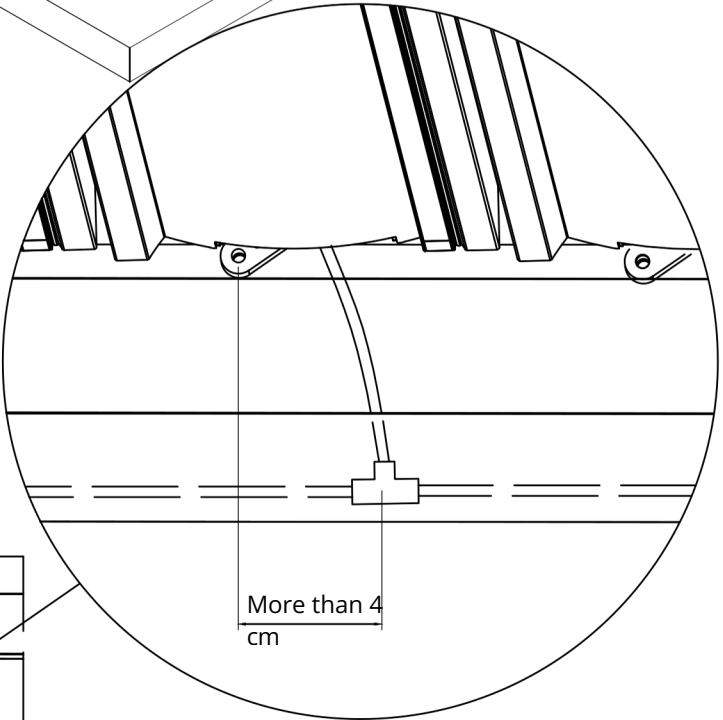



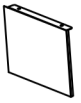




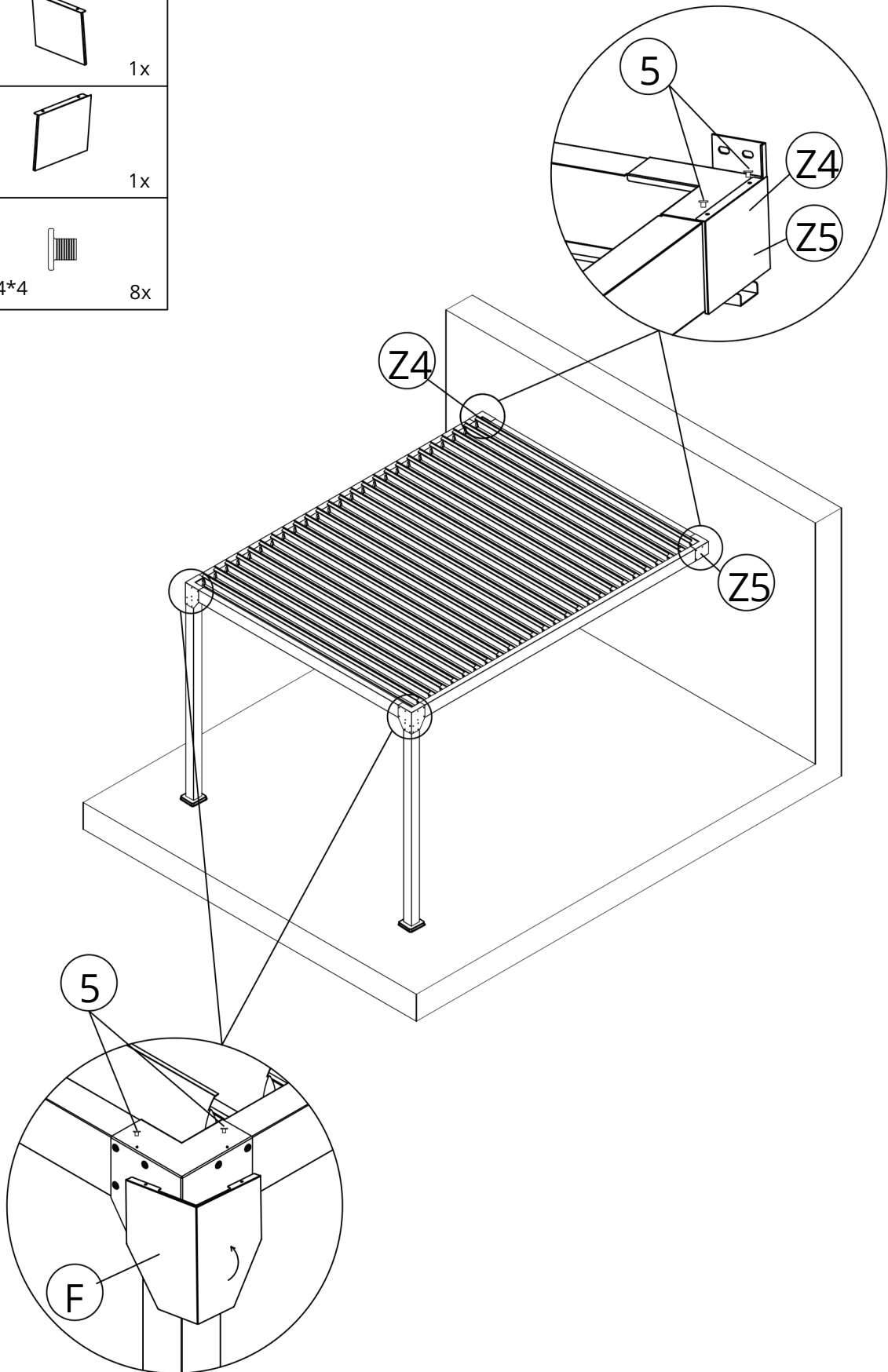
	D1	15X
	D2	5x
	③ M5*10	80X
	④ Ø5	80X



Adjust the position of the lighting cables so that the blades do not collide with the fitting located in the drainage channel when opening and closing.

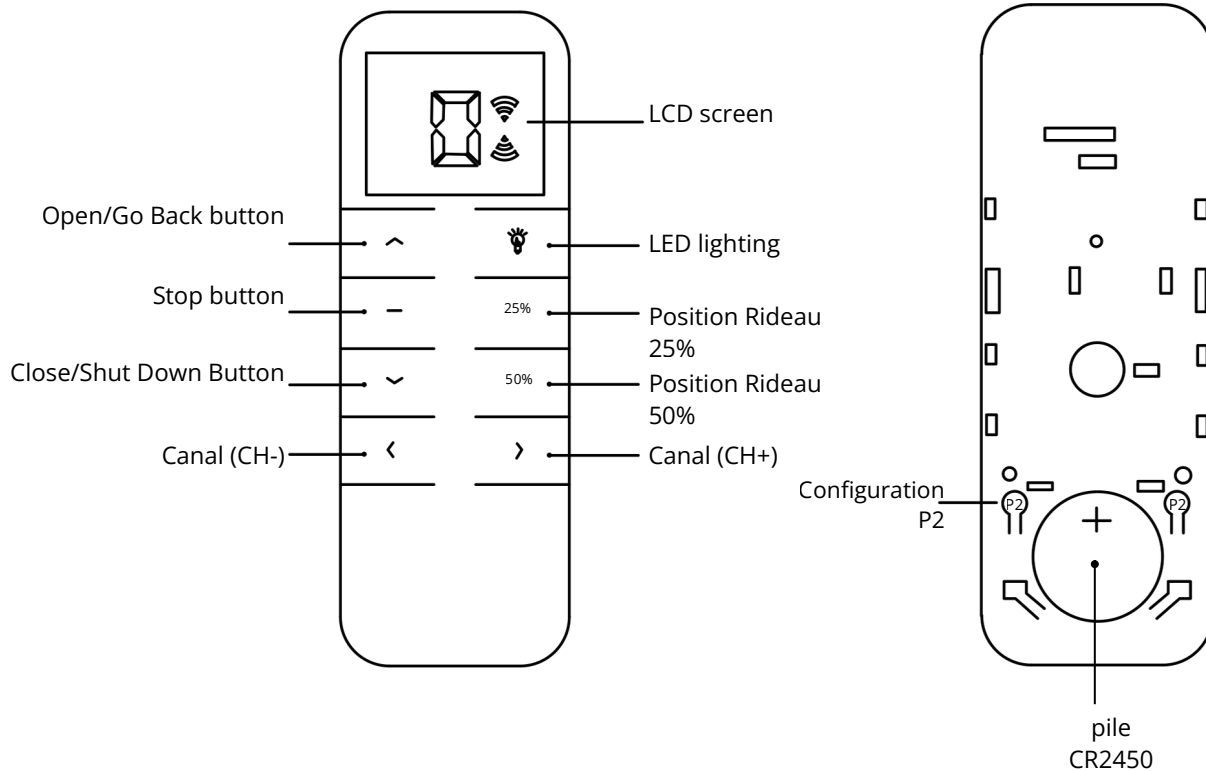


(F)		2x
(Z4)		1x
(Z5)		1x
(5)		8x



6. Information about the remote control

6.1 Remote control operation



IMPORTANT

- To avoid reducing the lifespan of the remote control, keep it dry and protect it from shocks.
- If you notice that the remote control's range has significantly decreased or its sensitivity has decreased during use, check if the battery needs to be replaced.
- If the voltage drops below 2.6V, the battery symbol will be displayed to indicate low voltage.
- During initial setup, ensure that the remote control correctly displays all information when you press the different buttons.

1. Plug the first end of the power cord into a power outlet, then plug the second end into the pergola cable.
2. An audible signal indicates that the pergola is electrically connected.
3. Wait a few seconds before using the remote control.
4. Your remote control is pre-programmed according to your product model. The functions specific to your model are listed below.

6.2 Use and features of the remote control

PERGOLA MONOZONE P12E4X3... / P15E5X3... / P16E4X4...

Channel 0: Controls the tilt of all slats and the raising/lowering of all curtains* **Channel 1:** Controls the tilt of all slats **Channel 2:** Controls the raising/lowering of all curtains



Channel 0 only allows for lighting or complete switching off of the pergola. Channels 1 and + do not allow lighting control.


PERGOLA BIZONE P18E6X3... / P20E5X4... / P24E6X4... / P32E8X4...

Channel 0: Controls the tilt of all slats and the raising/lowering of all curtains* **Channel 1:** Controls the tilt of the slats in the primary zone **Channel 2:** Controls the tilt of the slats in the secondary zone



Channel 0 only allows for lighting or complete switching off of the pergola. Channels 1 and 2 allow for the lighting and switching off of primary and secondary zones respectively. Channels 3 and above do not allow lighting control.

PERGOLA RETRACTABLE PR12E4X3... / PR15E5X3... / PR18E6X3...

Channel 0: Controls the tilt
 (1x) and the retraction (2x) of all the slats, the raising/lowering of all the curtains*
Channel 1: Controls the tilt of all blades. **Channel 2:** Controls the retraction of all blades.



Channels 0 and 1 allow the pergola to be lit or completely switched off. **Channels 2 and above** do not allow lighting control.

ATTENTION:
The blades can only be retracted when they are in a vertical position. Ensure the blades are fully tilted in the vertical position before retracting them.

ANY MODEL

Channels 3 and above: Control the raising and lowering of the curtains on all models.

*Motorized curtains are accessories sold separately.

7. Troubleshooting & Frequently Asked Questions

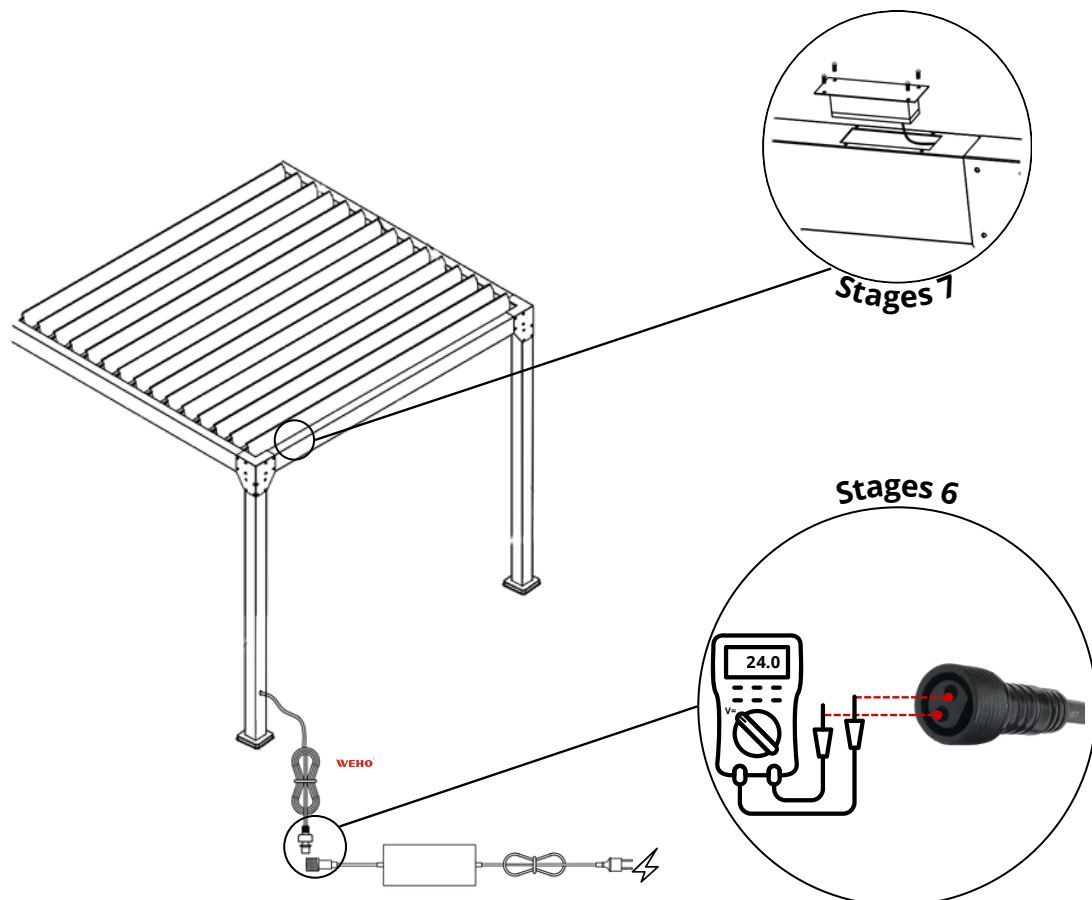
- **I can't get my pergola to work. What should I do?**

1. I check that the remote control is working correctly (the LCD screen lights up when a button is pressed).
2. I check that I am on the correct channel (see page 19).
3. I make sure to hear a "BEEP" when connecting the pergola power supply to the household outlet.
4. I check the proper functioning of the household socket using a multimeter or an accessory such as a phone charger or lamp.
5. I check that all the power cables are correctly connected to each other after having previously disconnected the power supply (see page 11).
6. I check for the presence of 24V current at the transformer output using a multimeter*. (see diagram below).
7. I check that the screws securing the electrical cables in the control box are properly tightened, having first disconnected the power supply. (see diagram below).

*Procedure for verifying the presence of 24V current:

This is a low-voltage electrical test. There is no risk of electrocution.

Get a multimeter. Turn on your multimeter in voltmeter mode (V= or V DC). Insert each probe of your wires into each of the pins of the connector located at the output of the transformer.



- **Do I need to take any steps before installing my products?**

Installing a bioclimatic pergola, carport or garden shed requires some administrative procedures depending on its dimensions and location.

Our garden sheds have a footprint of 5m² to 20m² and are subject to prior declaration of works. For our models smaller than 5m², you do not need planning permission, but you must still comply with the rules of the Local Urban Development Plan (PLU) or equivalent urban planning document.

Bioclimatic pergolas and carports with a surface area greater than 5m² and less than or equal to 20m² are subject to prior declaration of works.

For bioclimatic pergolas and carports with a surface area greater than 20m², you must submit a building permit application.

Special cases:

- Classified site or protected area: before any installation, it is necessary to obtain the agreement of the Architects of the Buildings of France (ABF).
- Condominium regulations: if you are in a condominium, authorization from the general meeting may be required.
- Local Urban Planning (PLU): some municipalities have specific restrictions (height, color, materials), it is advisable to consult the town hall before purchasing a product.

The development tax:

Garden sheds larger than 5m² are subject to the development tax, unless exempted by the municipality. The amount is calculated on a flat-rate basis per m² and varies depending on the location.

- **Can I order the accessories for my bioclimatic pergola at a later date?**

Yes, our bioclimatic pergolas are modular. Curtains or panels can be added later. Please be careful to check the compatibility of the accessories with your pergola model before placing your order.

- **How does the delivery of my products work?**

Our garden sheds, bioclimatic pergolas, and sunshades are delivered by a carrier. They will contact you to schedule a delivery appointment, which will be made using a semi-trailer equipped with a forklift.

Our curtains are delivered by a traditional carrier.

For a stress-free assembly, find all our assembly instructions in video format on our YouTube page and on our website by clicking on the following link or by scanning the QR code.

<https://www.youtube.com/@greenoutside8067>



<https://green-outside.com/>



8. Warranty and contact

Your product is covered by a legal guarantee against any manufacturing defects. You can find the details of the Green Outside legal guarantee by clicking on the following link.

<https://green-outside.com/procedure-sav/>

or by scanning the QR code



For any warranty claim or in case of a problem with your product, please contact Green Outside customer service using the following contact details:

sav@green-outside.com

04 74 55 36 54 - Option 2

As part of its policy of continuous improvement, Green Outside reserves the right to modify its products without prior notice.

For more information on Green Outside products:
info@green-outside.com and www.green-outside.com