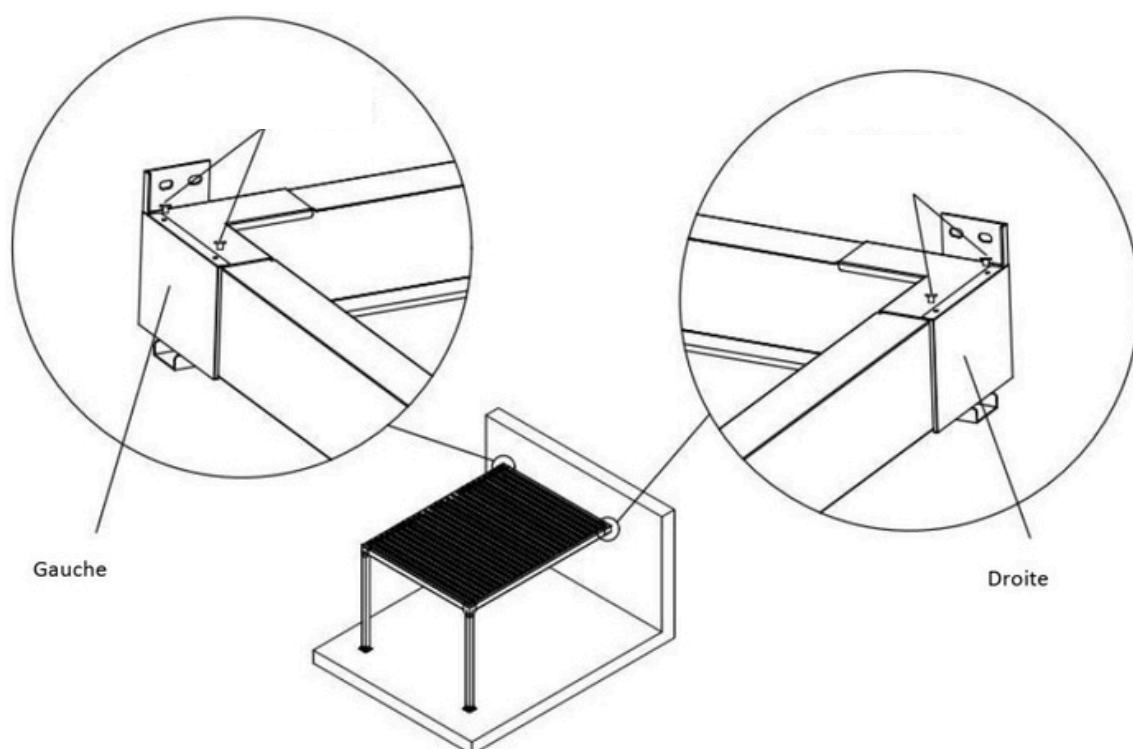




# ASSEMBLY INSTRUCTIONS

## Other Adossement Pergola

(RAL 2100 sand black) (RAL 2900 sand grey)  
for *pergola Green Outside*



Assembly recommended by 2 to 3 people



Keep these instructions and read them carefully before assembly. Wear appropriate protective gear.

For any inquiries, please contact: [sav@green-outside.com](mailto:sav@green-outside.com)  
GreenOutsidesas, 21routed'Alex, 01100Bellignat



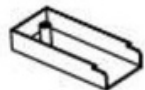
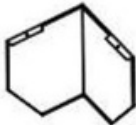




LE TRI  
+ FACILE

NOTICE PAPIER  
& CARTON



# Components

Right-hand backing plate	1	
Left-hand backing plate	1	
Rainwater drainage bracket for the side to be backed up against	2	
Cover plate for the fixing plates	2 angles 1 gauche 1 droit	  Droite  gauche

---

## IMPORTANT

Read these instructions carefully before beginning assembly. Carefully unpack the boxes and make sure you have all the items listed in the components list before starting assembly. Keep these instructions for future reference.

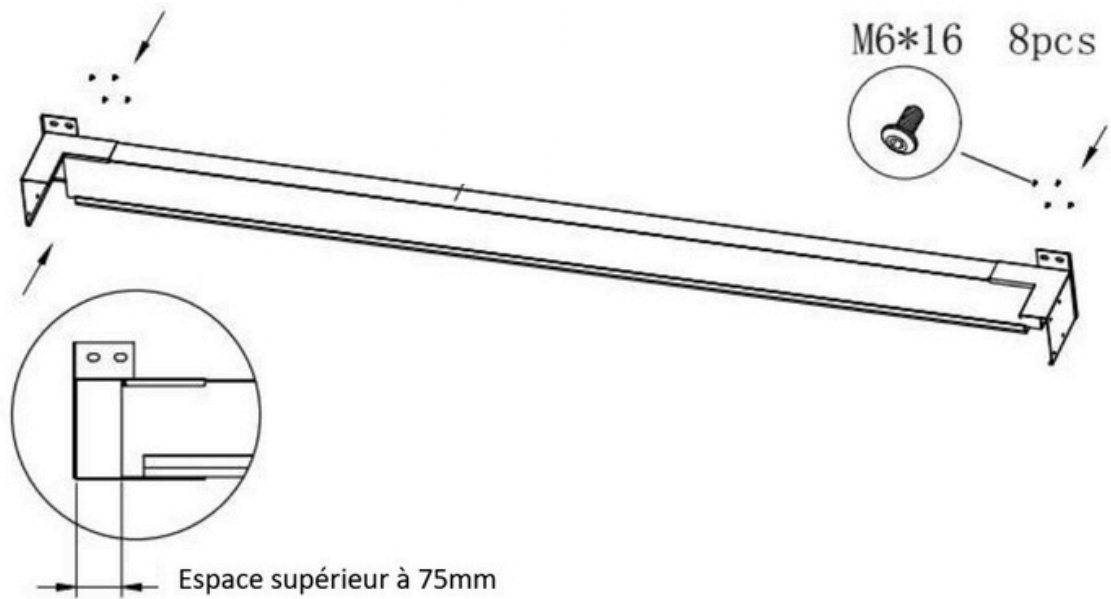
**Safety advice:** It is recommended that 3 people be present for assembly.

- Wearing protective equipment (gloves, helmet, goggles, shoes, etc.) is strongly recommended

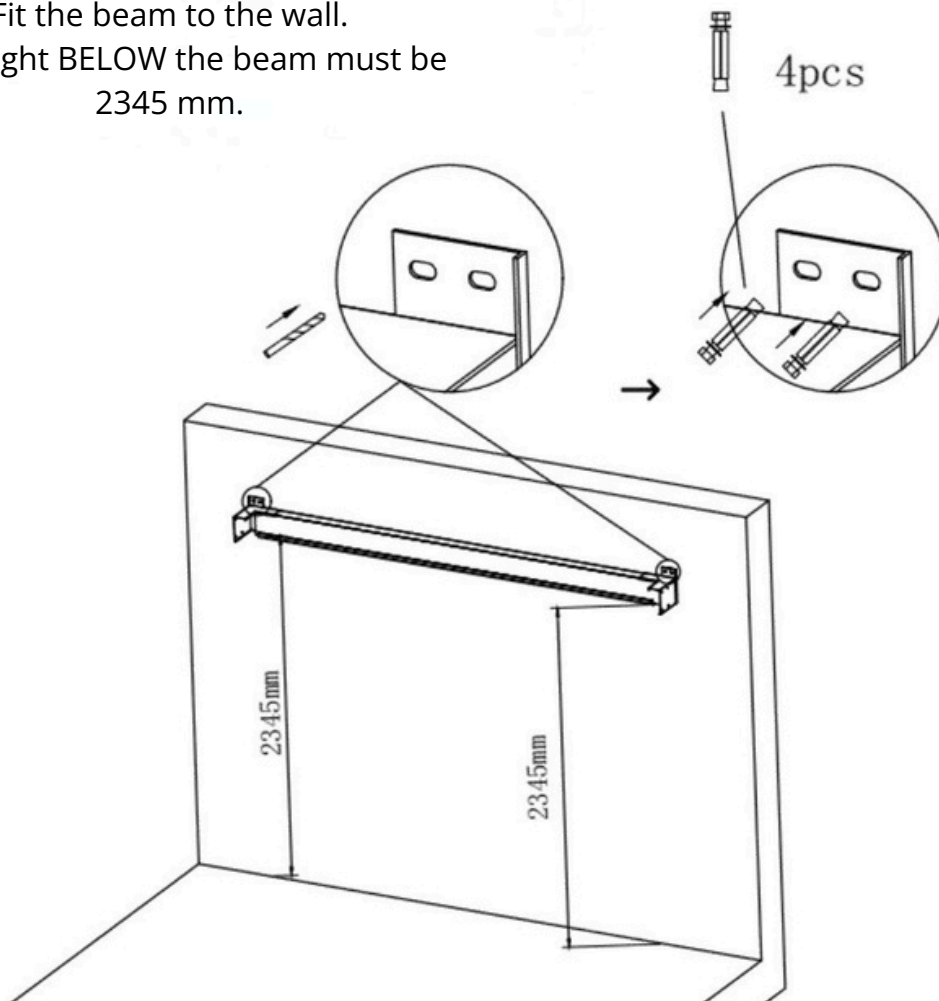
Do not begin assembly in rainy or windy conditions.

Keep children away from the assembly site, and put all plastic bags out of their reach.

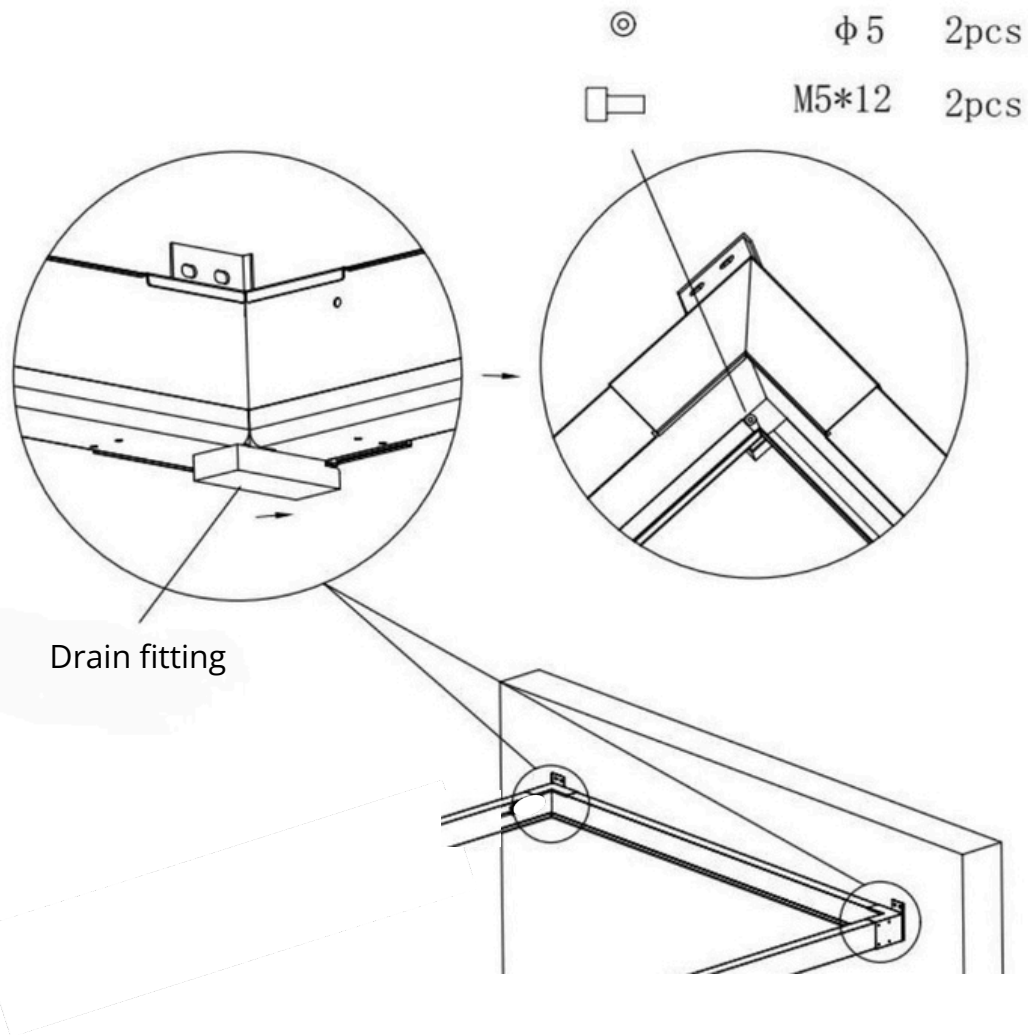
**Maintenance tips:** - Clean your pergola regularly, especially by removing leaves, small branches or other things that could impair the proper functioning of the blades.



Fit the beam to the wall.  
The height BELOW the beam must be  
2345 mm.



The beam installed on the facade must be the one equipped with the movable blade supports. It is not recommended to install the beam with the motor-driven blade supports against the facade, to allow easy access to the motor and receiver.



## GUARANTEE

Your pergola is guaranteed for 5 years against all manufacturing defects for the aluminium structure, 2 years for other parts (except wear parts such as the motor, linkage, curtains and, if necessary, the blade seals), under normal conditions of use and for domestic use.

**To benefit from the warranty, your pergola must:**

- To be installed according to the instructions in the manual, to be used normally, without having undergone any modifications
- Be regularly maintained (Note: using a high-pressure cleaner, abrasive, chemical or corrosive products for cleaning will void the warranty)

**Factors excluding the warranty:**

- Failure to comply with the conditions listed below
- Visible defects not reported before the product was implemented
- Damage resulting from improper assembly or misuse
- Disruptions resulting from an external or climatic event
- The natural aging of the product, particularly due to weathering, discoloration and normal wear and tear of the product

**Implementation of the guarantee:**

The warranty is limited to the replacement of parts proven to be defective, excluding any other damage (including installation/removal operations, etc.). Information must be sent to us by email at [sav@green-outside.com](mailto:sav@green-outside.com), or by mail to Green

Outside, 21 route d'Alex. 01100 Balignat with the paid purchase invoice specifying the place, date and product reference; a precise description of the problem encountered, as well as any useful details related in particular to the installation, photos from different angles, of sufficient quality to facilitate understanding of the defect encountered, and to allow for an appropriate response.

As part of its continuous improvement policy, Green Outside reserves the right to modify its products without prior notice. For more information on Green Outside products: [info@green-outside.com](mailto:info@green-outside.com) and [www.green-outside.com](http://www.green-outside.com)

