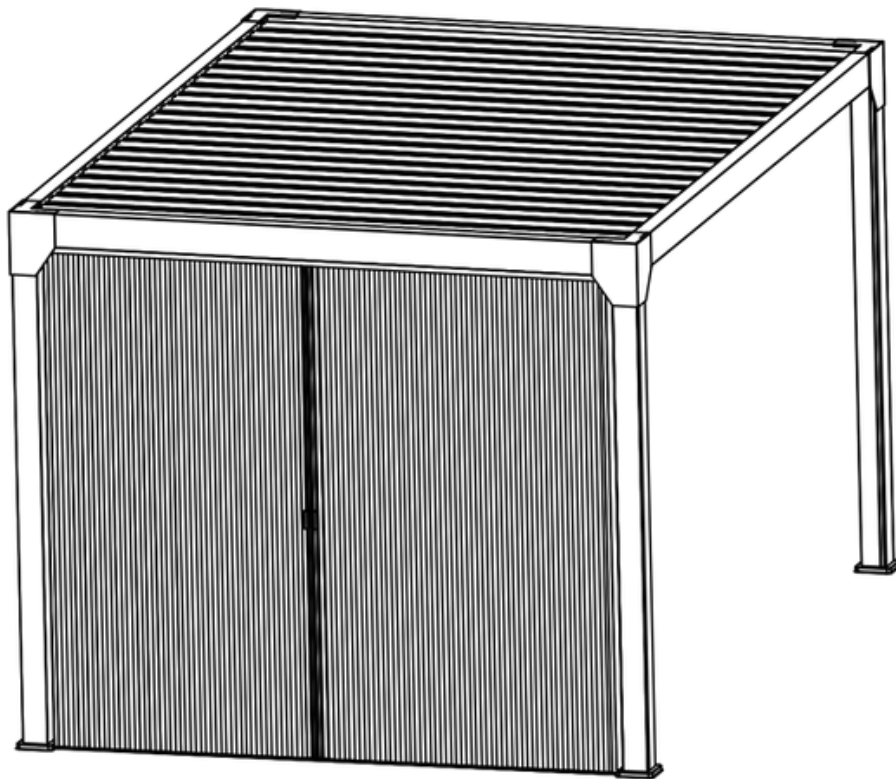


ASSEMBLY INSTRUCTIONS

Mosquito nets 3, 4, 5 and 6m

MOUST3MDGS / MOUST3MDNS
MOUST4MDGS / MOUST4MDNS
MOUST5MDGS / MOUST5MDNS
MOUST6MDGS / MOUST6MDNS



Before starting assembly of your product, make sure you wear the necessary personal protective equipment and consult the assembly instructions.



sav@green-outside.com



TABLE OF CONTENTS

1. INFORMATION AND SAFETY INSTRUCTIONS	-----	P. 3
1.1 Tools needed	-----	p.3
1.2 Safety instructions	-----	p.3
1.3 Unpacking and checking the contents	-----	p.3
1.4 Maintenance Tips	-----	p.3
2. LIST OF COMPONENTS	-----	P.4
3. INSTALLING THE MOSQUITO NET	-----	P5
4. TROUBLESHOOTING & FREQUENTLY ASKED QUESTIONS	-----	P.12
5. WARRANTY AND CONTACT	-----	P.13

1. INFORMATION & SAFETY INSTRUCTIONS



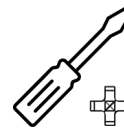
1.1 Tools needed



1 screwdriver



1 caulk gun with cartridge



1 Phillips screwdriver (PH1)



1 stepladder / person

1.2 Safety instructions

To ensure the safe assembly of your product, certain rules must be followed:

- Wearing personal protective equipment is strongly recommended (gloves, safety shoes, goggles, etc.). Keep children away from the work site. Choose a suitable location for assembling your product (flat, hard ground
- allowing for secure anchoring, not exposed to strong winds). Ensure that the fixing points do not coincide with
- cable runs, conduits, or other pipes. When installing a pergola, ensure the ground has a 1% slope to allow for rainwater drainage. Do not begin assembly in adverse weather conditions (rain, wind, snow, etc.). In case of
- inclement weather (wind, rain, snow), it is recommended to keep the louvers in a semi-open position to promote air circulation and prevent snow accumulation. To guarantee the safety of the installation and the longevity of
- the components, electrical elements (transformer, remote control, etc.) must be installed in a dry, ventilated, and frost-free environment. Any exposure to humidity or extreme temperatures will void the warranty. Note
- that the use
-
-

A waterproof power socket is mandatory for any outdoor connection.

1.3 Unpacking the product







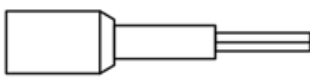
When opening the boxes, be careful not to use a box cutter or any blade that could damage the product. The boxes are labeled with the components inside. Before assembling your product, make sure you have all the items listed in the components list and that they are correct.

1.4 Maintenance Tips

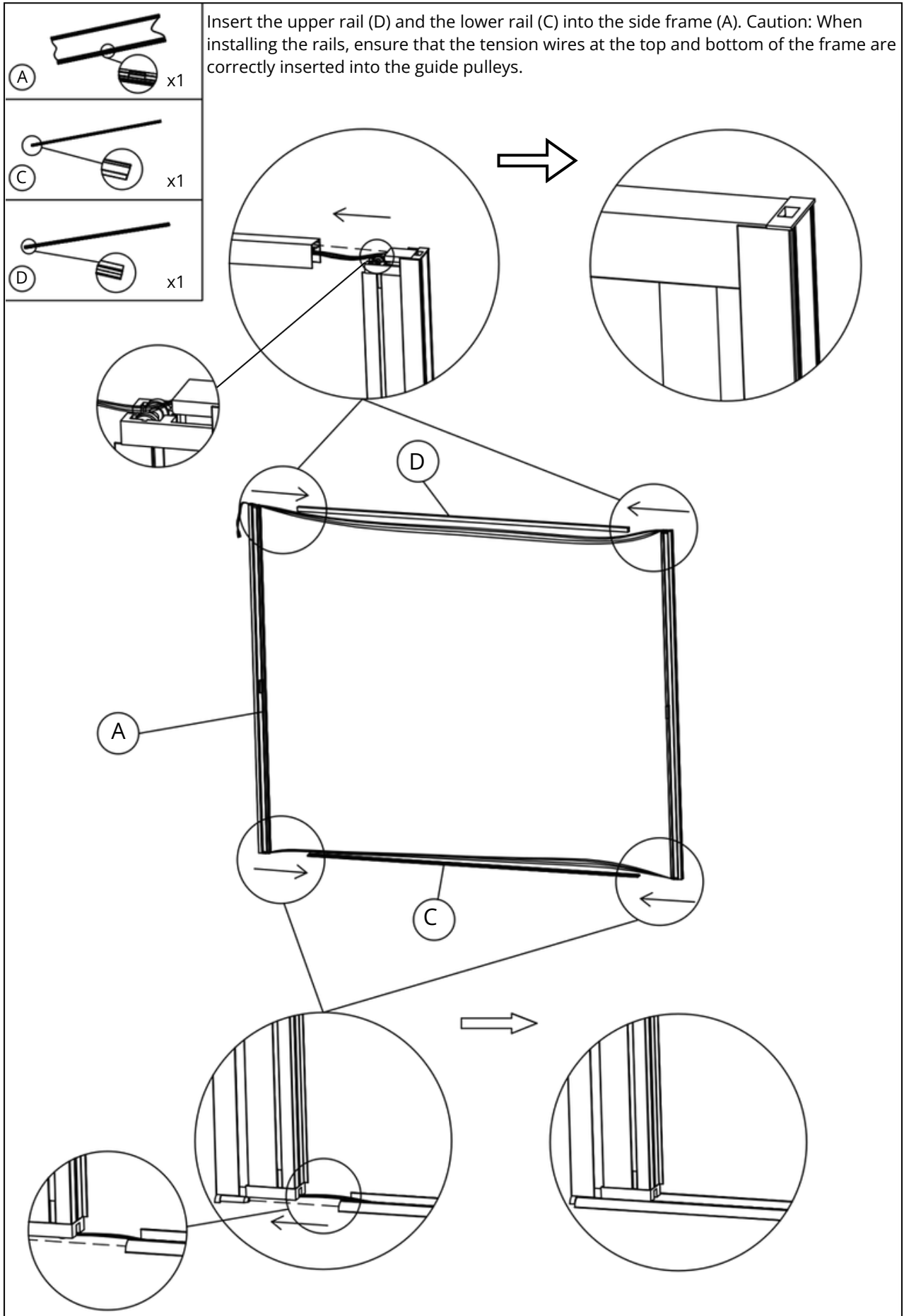
- We recommend regularly cleaning your product by removing leaves, branches, or other elements that could impair its proper functioning. Your product can be cleaned with soapy water. Never use a high-pressure
- cleaner, corrosive products, or solvents.
-

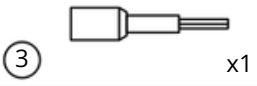
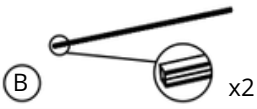
In the event that a component is missing, damaged, or if you have any doubts, please contact Green Outside customer service: sav@green-outside.com

2. List of components

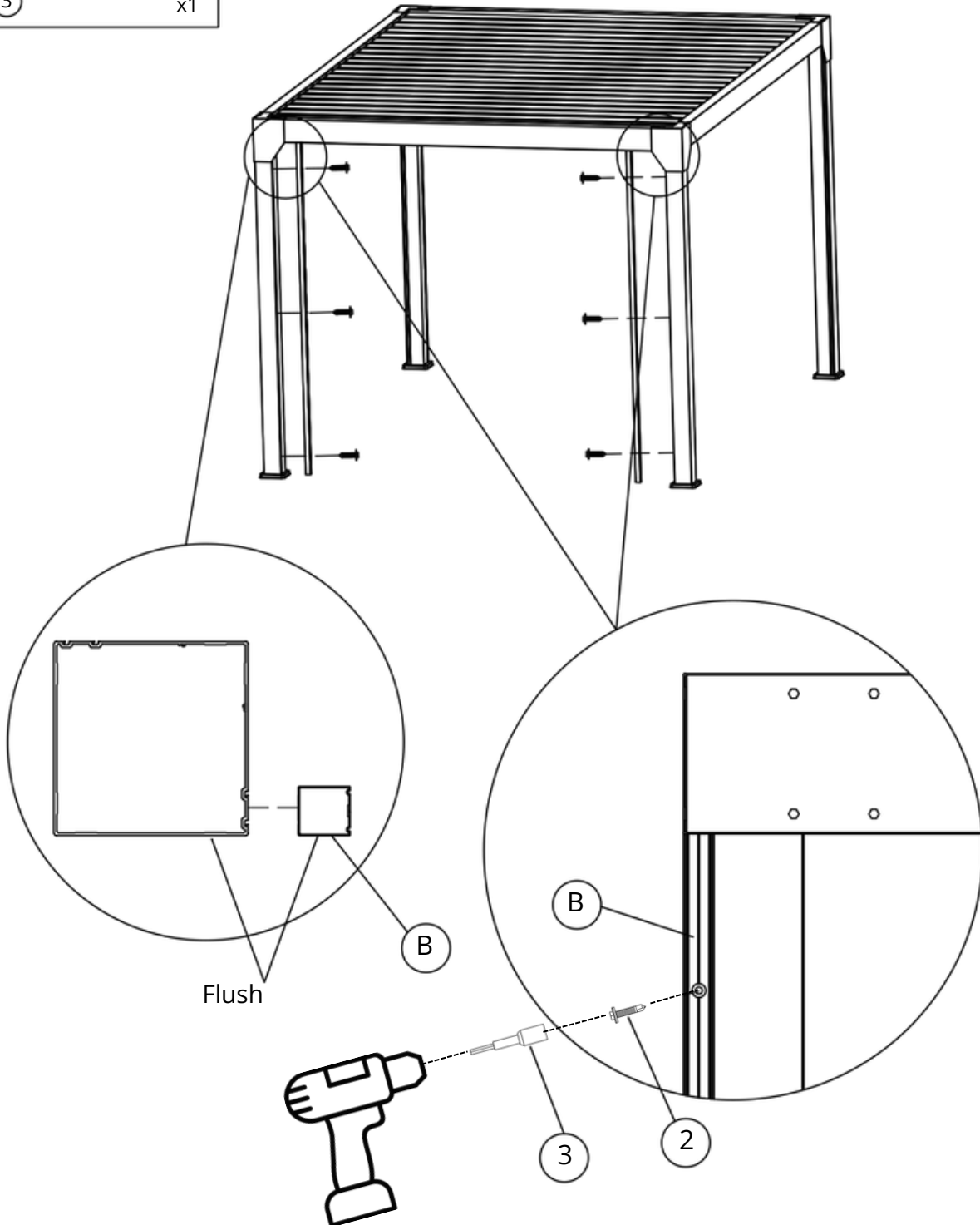
Reference	Component	Quantity	Representation
A	Side frame	1	
B	Side fixing profiles	2	
C	Lower rail	1	
D	Top Rail	1	
1	ST4.2×19 Self-Drilling Screws	9	
2	ST5.5×19 self-drilling screws	6	
3	Screwdriver bit	1	

3. Assembling the mosquito net

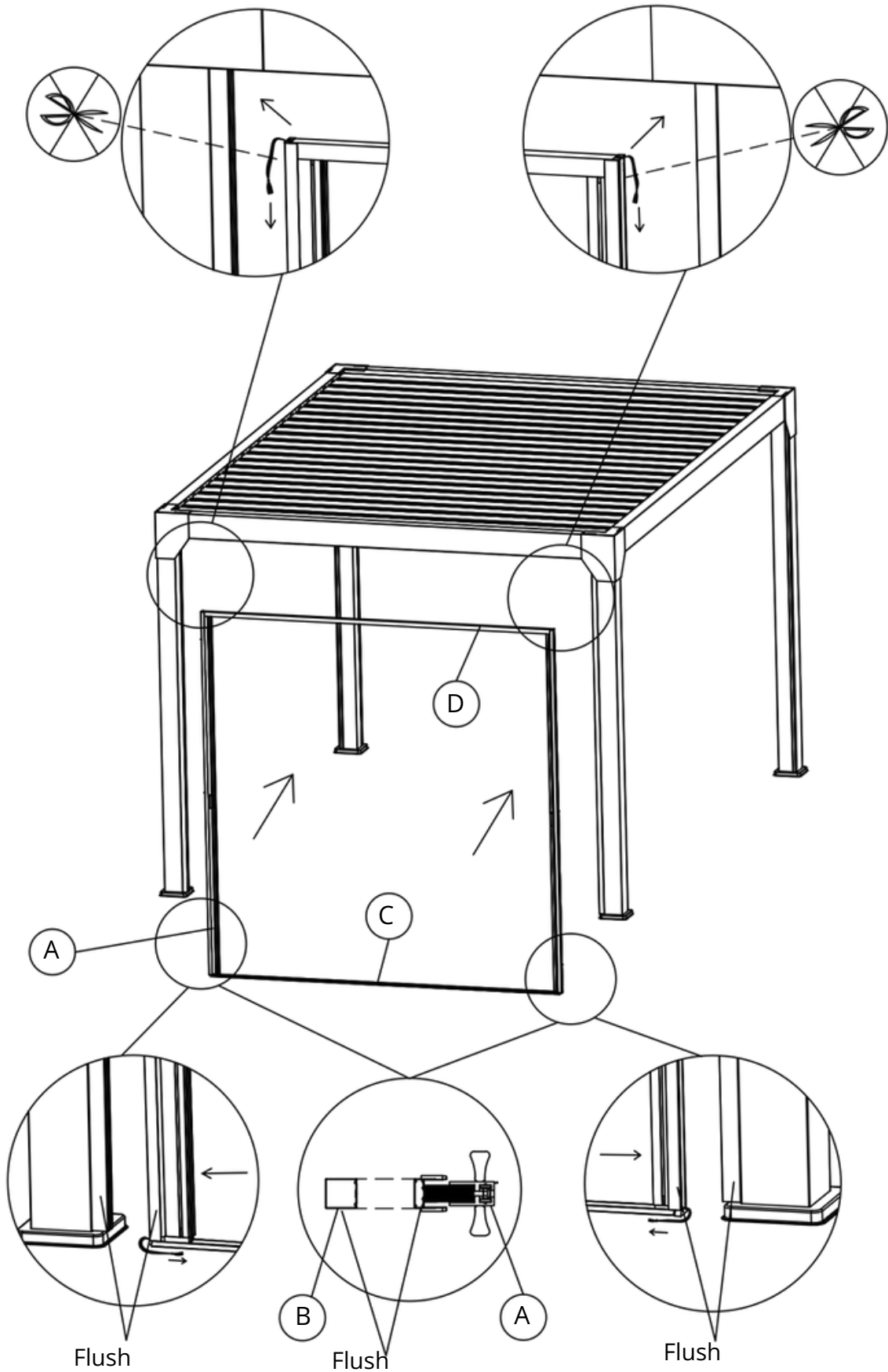





Position the two fixing profiles (B) against the posts of your pergola. Use the screws (2) to secure them firmly. Ensure that the profiles are perfectly aligned and flush with the pergola structure.

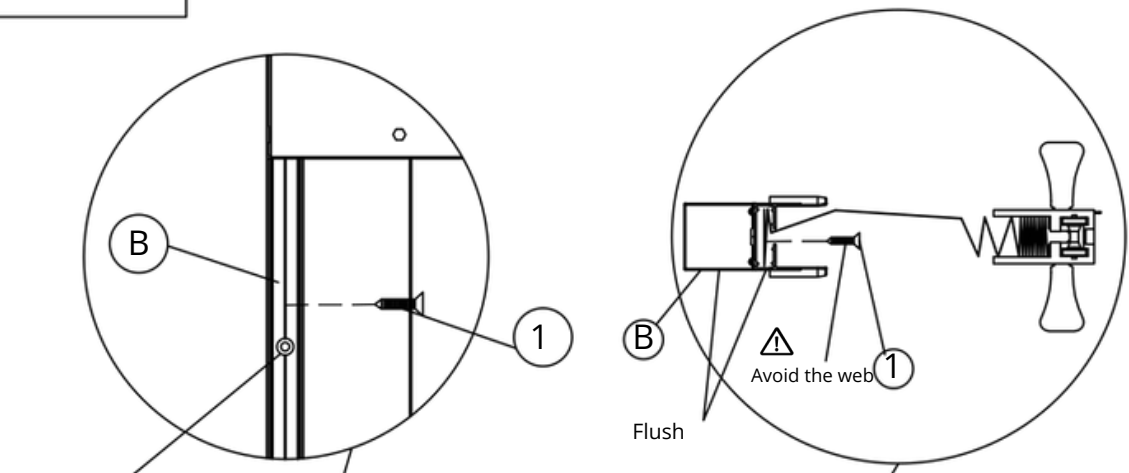


Insert the assembly from step 1 between the mounting profiles (B). Wire adjustment: Small wire segments protrude from the top and bottom, left and right. Ensure these are inserted inside the side rails and under the bottom rail. Check that the frame is level and aligned with the profiles (B).



①  x6

Pull the mosquito net slightly to clear access to the bottom of the profile. Attach frame A to profile B with the screws (1), making sure not to screw into the mesh or any of the fixing holes in profile B.



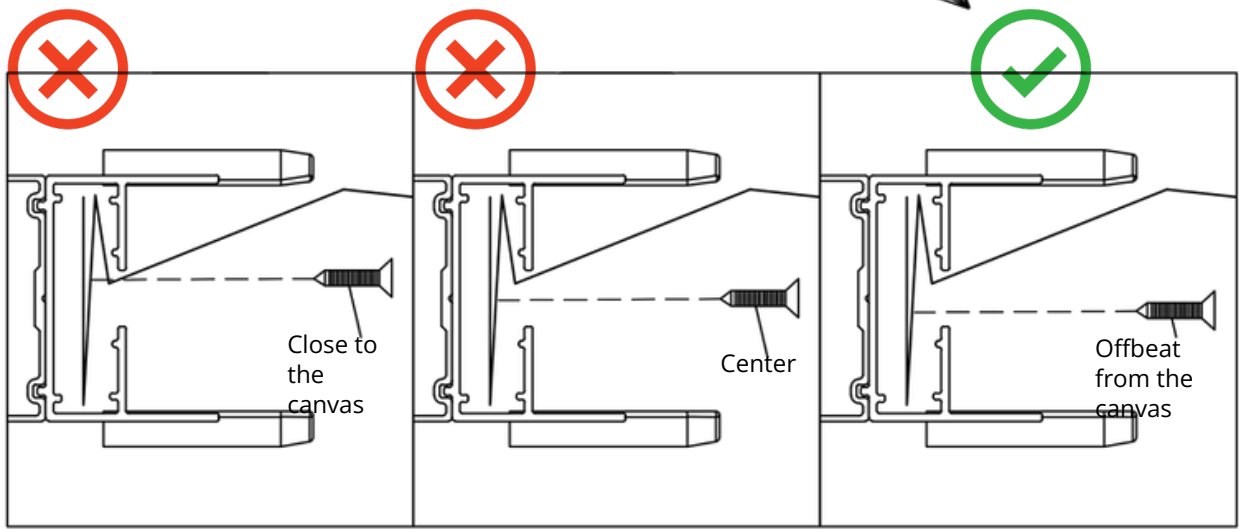
⚠ Avoid the fixing holes

⚠ Avoid the web

Flush



This step requires precision to avoid damaging the mosquito net.

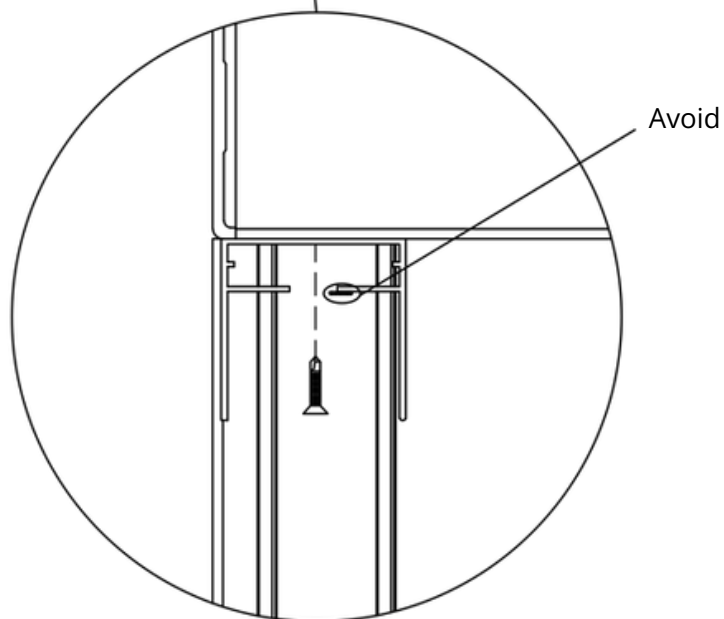
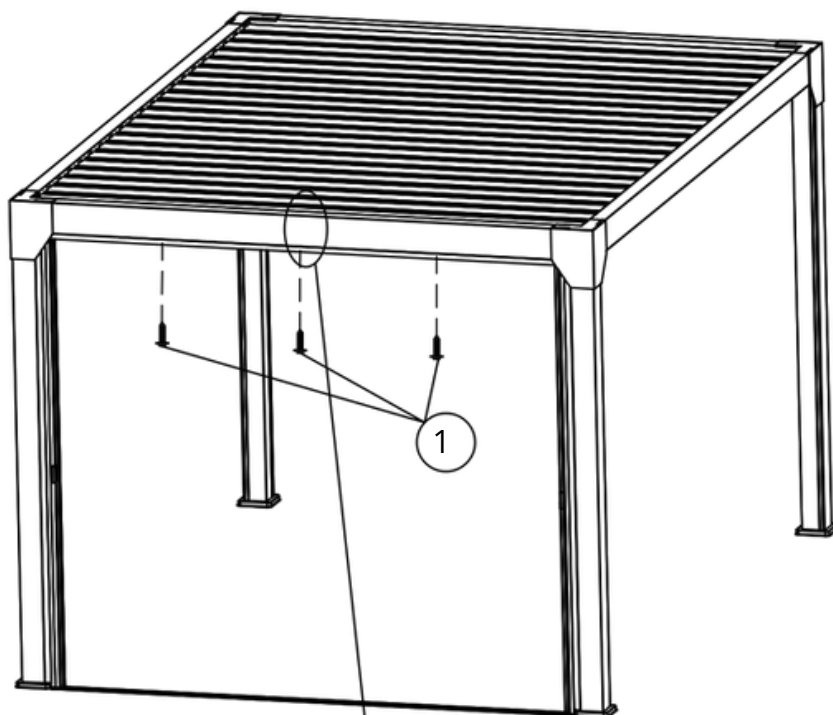


①



x3

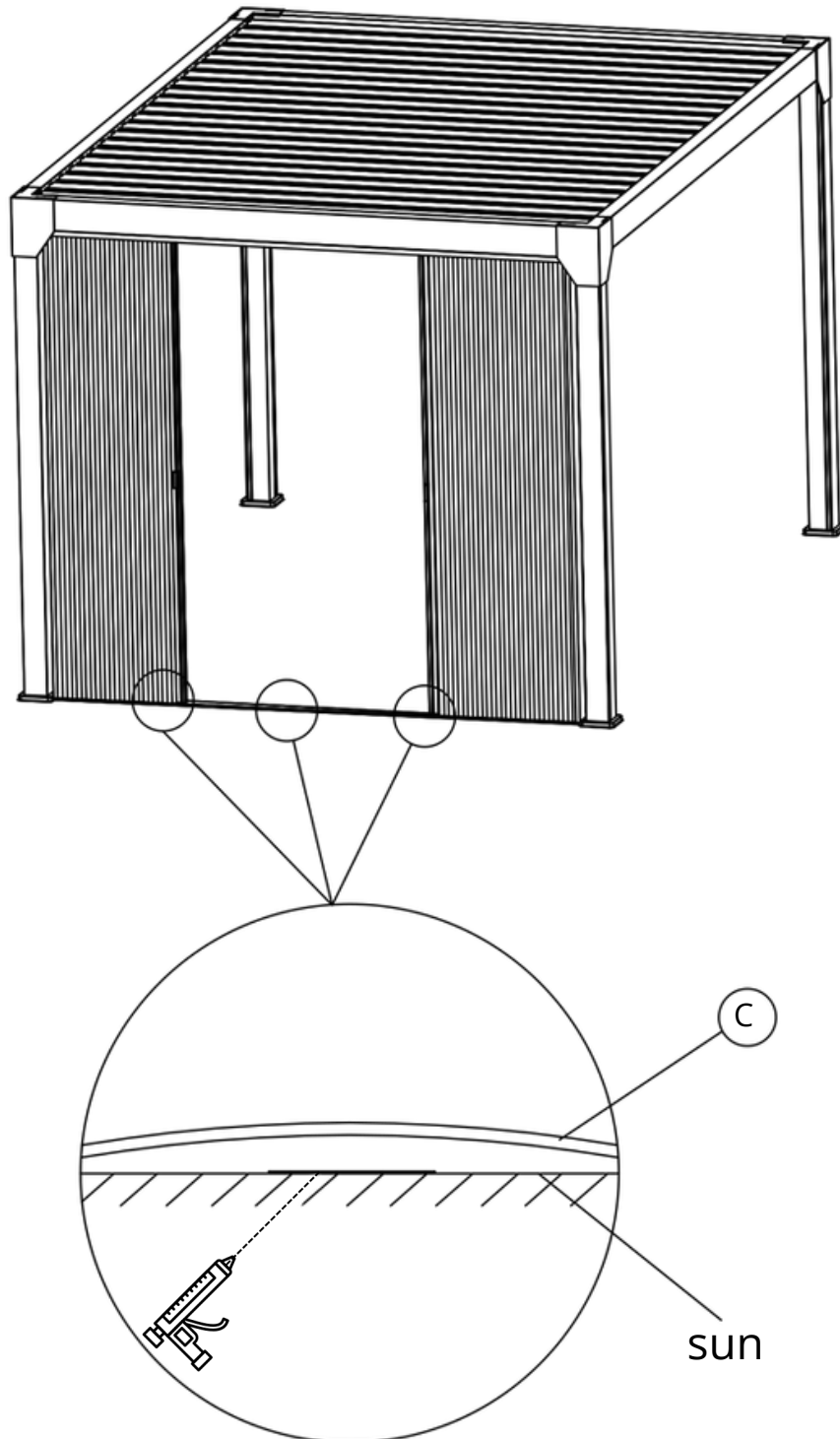
Attach the top rail (D) to the pergola beam. Use 3 screws (1) evenly spaced along its length. Caution: Ensure the screws do not pinch or interfere with the mosquito net's movement wires.



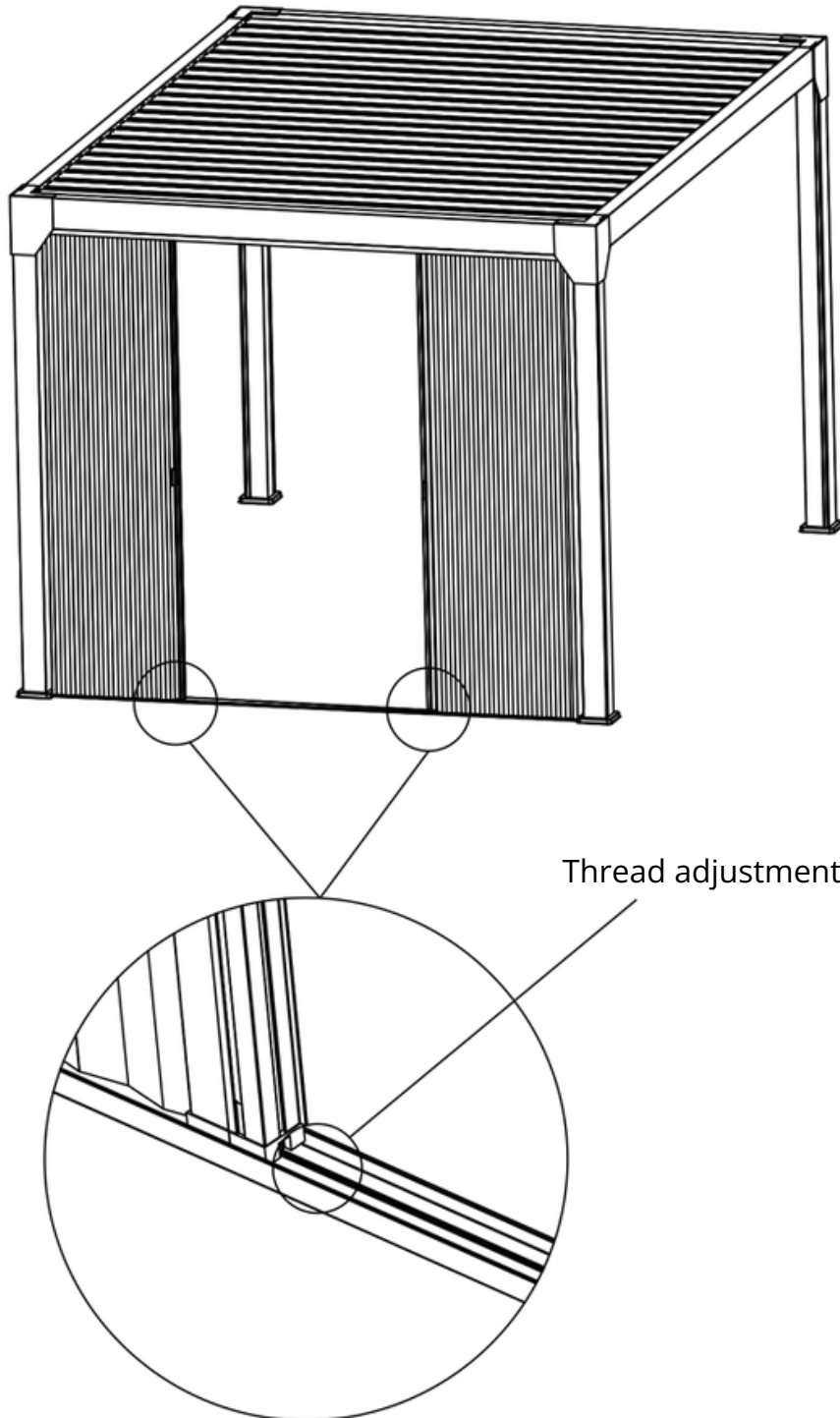
Open the mosquito net to release the bottom rail (C). Slightly lift the bottom rail and apply multi-purpose sealant (such as Sikaflex-11 FC+) to the floor. Replace the rail and maintain firm pressure for a few moments until the sealant sets.



It is recommended to apply pressure for a minimum of 15 minutes and up to 6 hours to ensure proper adhesion. The caulking gun and cartridge are not included.



Adjusting the wires: If you notice the lower wire deviating from its path or coming off the pulley, manually adjust it at the center of the pulley. This will prevent premature wear from friction. replace the
Regularly check that the rails are free of debris to ensure smooth operation.



4. Troubleshooting & Frequently Asked Questions

- **Do I need to take any steps before installing my products?**

Installing a bioclimatic pergola, carport, or garden shed requires some administrative procedures depending on its size and location. Our garden sheds have a footprint of 5m² to 20m² and are subject to a prior declaration of works. For our models smaller than 5m², you do not need planning permission, but you must still comply with the rules of the Local Urban Development Plan (PLU) or equivalent urban planning document. Bioclimatic pergolas and carports with a surface area greater than 5m² and less than or equal to 20m² are subject to a prior declaration of works. For bioclimatic pergolas and carports with a surface area greater than 20m², you must apply for a building permit. Special cases:

- Listed site or protected area: before any installation, you must obtain approval from the Architects of the Buildings of France (ABF). Condominium regulations: if you own a condominium, authorization from the general meeting may be required. Local Urban Development Plan (PLU): some municipalities have specific restrictions (height, color, materials); it is advisable to consult the town hall before purchasing any product.
-

The development tax: Garden sheds larger than 5m² are subject to the development tax, unless exempted by the municipality. The amount is calculated on a flat-rate basis per m² and varies depending on the location.

- **Can I order the accessories for my bioclimatic pergola at a later date?**

Yes, our bioclimatic pergolas are modular. Various accessories can be added later. Please be careful to check the compatibility of the accessories with your pergola model before placing your order.

- **How does the delivery of my products work?**

Our garden sheds, bioclimatic pergolas, glass walls, mosquito nets, and sunshades are delivered by a carrier. They will contact you to schedule a delivery appointment, which will be made using a semi-trailer equipped with a forklift. Our curtains are delivered by a traditional carrier.

For a stress-free assembly, find all our assembly instructions in video format on our YouTube page and on our website by clicking on the following link or by scanning the QR code.

<https://www.youtube.com/@greenoutside8067>



<https://green-outside.com/>



5. Warranty and contact

Your product is covered by a legal warranty against any manufacturing defects. You can find the details of the Green Outside legal warranty by clicking on the following link <https://green-outside.com/procedure-sav/> or by scanning the QR code.



For any warranty claim or in case of a problem with your product, please contact Green Outside customer service using the following contact details: sav@green-outside.com or 04 74 55 36 54 - Option 2

As part of its policy of continuous improvement, Green Outside reserves the right to modify its products without prior notice.

For more information on Green Outside products:
info@green-outside.com and www.green-outside.com