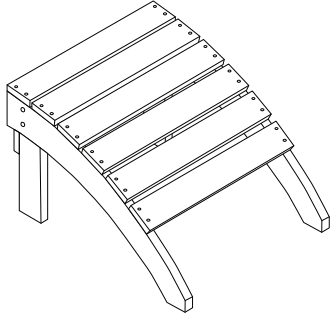
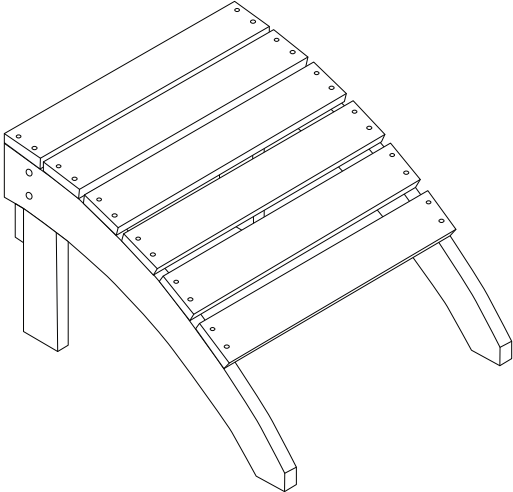


ADIRONDACK

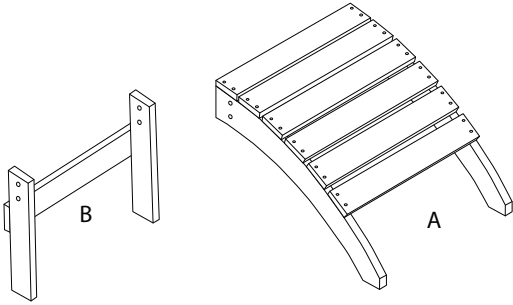


5'

1

1/3

1111/ADIRONDACK/251125/



A x 1	B x 1	AA M6 x 50 x 4	BB x 1
---------------------	---------------------	--------------------------------	----------------------

2/3

1111/ADIRONDACK/251125/

1

A x 1	B x 1	AA M6 x 50 x 4	BB x 1
---------------------	---------------------	--------------------------------	----------------------

3/3

1111/ADIRONDACK/251125/