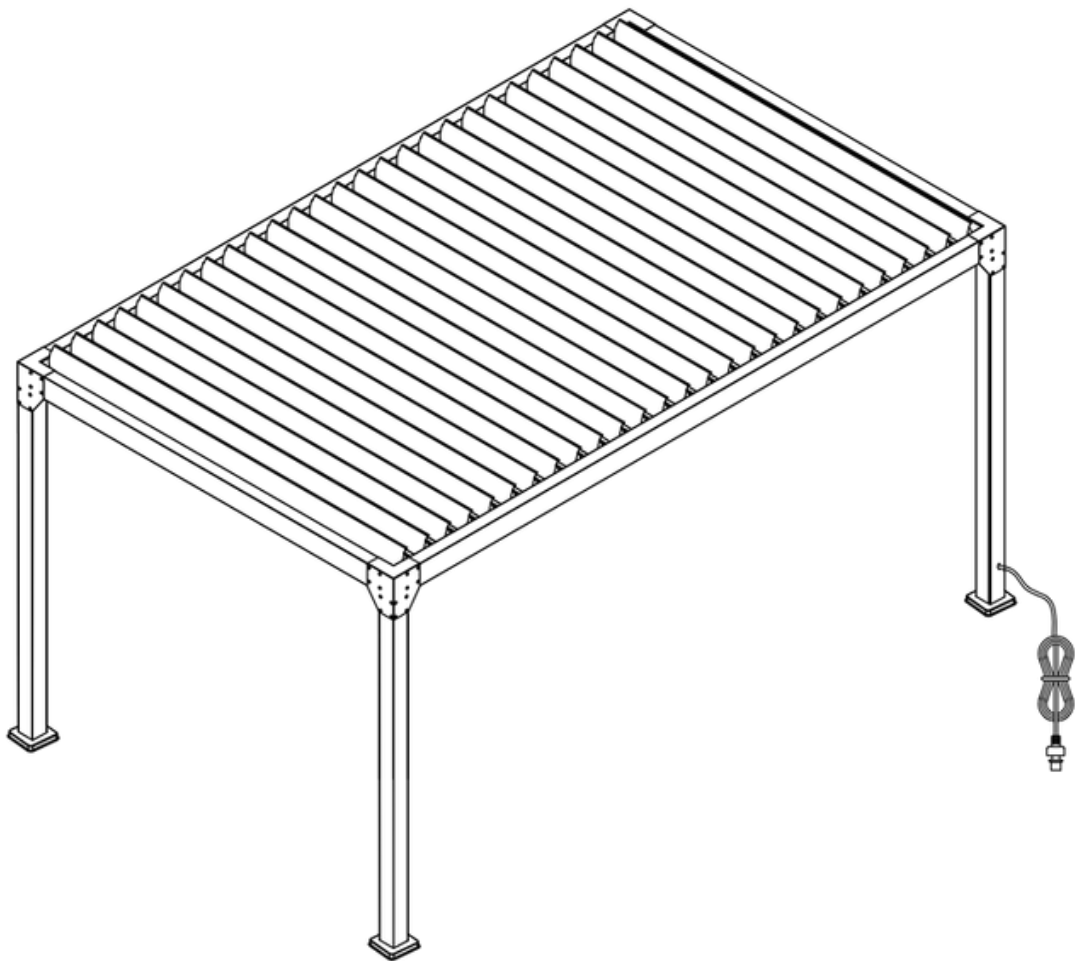


ASSEMBLY INSTRUCTIONS

5X3 BIOCLIMATIC PERGOLA

P15E5X3DNS / P15E5X3DNS2
P15E5X3DGS / P15E5X3DGS2



Before starting assembly of your product, make sure you wear the necessary personal protective equipment and consult the assembly instructions.



sav@green-outside.com



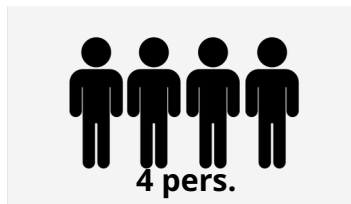
LE TRI + FACILE NOTICE PAPIER & CARTON



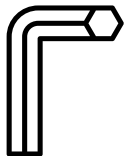
TABLE OF CONTENTS

1. INFORMATION AND SAFETY INSTRUCTIONS	-----	P. 3
1.1 Tools needed	-----	p.3
1.2 Safety instructions	-----	p.3
1.3 Unpacking and checking the contents	-----	p.3
1.4 Maintenance Tips	-----	p.3
2. INSTALLATION	-----	P.4
3. LIST OF COMPONENTS	-----	P. 5
3.1 Structural Components	-----	p.5
3.2 Screws and accessories	-----	p.6
4. ASSEMBLY PREPARATION	-----	P. 7
4.1 Mounting area	-----	p.7
4.2 Position of the LED blades	-----	p.7
5. ASSEMBLY OF THE PERGOLA	-----	P8
6. REMOTE CONTROL INFORMATION	-----	P.18
6.1 Remote control operation	-----	p.18
6.2 Use and features of the remote control	-----	p.19
7. TROUBLESHOOTING & FREQUENTLY ASKED QUESTIONS	-----	P.20
8. WARRANTY AND CONTACT	-----	P.22

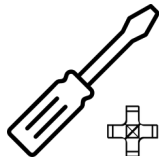
1. INFORMATION & SAFETY INSTRUCTIONS



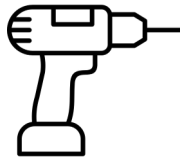
1.1 Tools needed



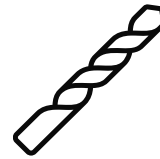
1 Allen key
Ø4
(INCLUDED)



1 Phillips
screwdriver
(PH1)



1 hammer drill / rotary
hammer



1 concrete
drill bit
Ø10



1 stepladder
/ person

1.2 Safety instructions

To ensure the safe assembly of your product, certain rules must be followed:

- Wearing personal protective equipment is strongly recommended (gloves, safety shoes, goggles, etc.). Keep children away from the work site. Choose a suitable location for assembling your product (flat, hard ground
- allowing for secure anchoring, not exposed to strong winds). Ensure that the fixing points do not coincide with
- cable runs, conduits, or other pipes. When installing a pergola, ensure the ground has a 1% slope to allow for rainwater drainage. Do not begin assembly in adverse weather conditions (rain, wind, snow, etc.). In case of
- inclement weather (wind, rain, snow), it is recommended to keep the louvers in a semi-open position to promote air circulation and prevent snow accumulation. To guarantee the safety of the installation and the longevity of
- the components, electrical elements (transformer, remote control, etc.) must be installed in a dry, ventilated, and frost-free environment. Any exposure to humidity or extreme temperatures will void the warranty. Note
- that the use
-
-

A waterproof power socket is mandatory for any outdoor connection.

1.3 Unpacking the product

When opening the boxes, be careful not to use a box cutter or any blade that could damage the product. The boxes are labeled with the components inside. Before assembling your product, make sure you have all the items listed in the components list and that they are correct.

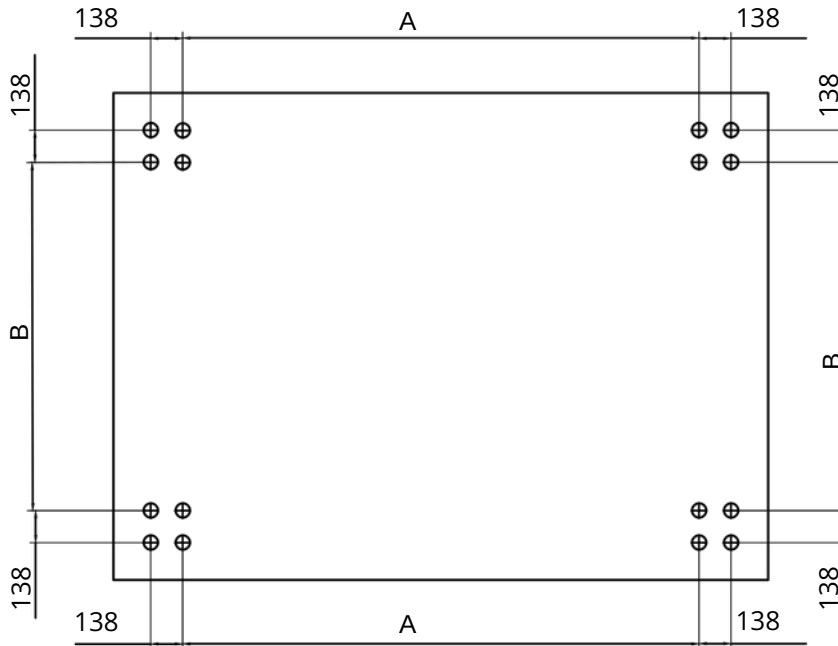
1.4 Maintenance Tips

- We recommend regularly cleaning your product by removing leaves, branches, or other elements that could impair its proper functioning. Your product can be cleaned with soapy water. Never use a high-pressure
- cleaner, corrosive products, or solvents.
-

In the event that a component is missing, damaged, or if you have any doubts, please contact Green Outside customer service: sav@green-outside.com

2. Installation

To accommodate your pergola, ensure the ground has a 1% slope to allow for rainwater drainage. Below you will find the drilling spacing for anchoring your pergola to the ground once assembly is complete. **IMPORTANT:** Accessories such as curtains and panels must be installed only after the product is fully assembled and anchored to the ground.











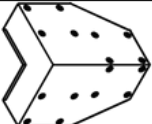

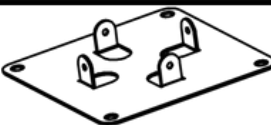
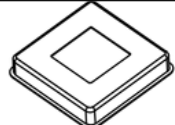
Model	4X3	5X3	6X3	4X4	5X4	6X4
Dimension A	3669	4727	5626	3669	4727	5626
Dimension B	2769	2669	2769	3669	3669	3629

Find all our video tutorials by clicking on the following link:
<https://www.youtube.com/@greenoutside8067> or by scanning the QR code.

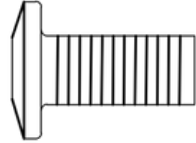
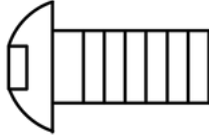
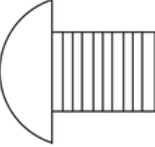
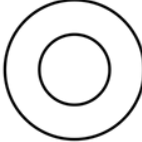
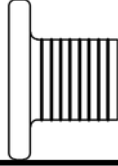

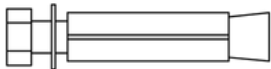
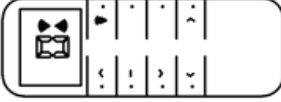

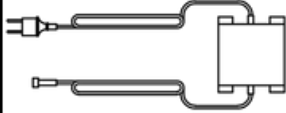


3. List of components

3.1 Structural Components

Reference	Component	Quantity	Representation*	Carton No.
A1	Post	3		1
A2	Pole with power connector	1		1
B1	5m motorized front beam with 24V LED power supply	1		2
B2	5m rear beam	1		2
C1	3m side beam with connectors	1		2
C2	3m side beam	1		2
D1	3m roof blade	21		3/4/5
D2	3m roof blade with LED	6		3
AND	Beam fixing angle bracket	4		1
F	Corner hood	4		1
G	Post mounting plate	4		2
H	Foot hood	4		2

3.2 Screws and accessories

1	Vis M6*16	64+2		2
2	Vis M6*16	16+2		2
3	Show M5*10	108+5		2
4	Rondelle Ø5	108+5		2
5	Show M4*4	8+2		2
6	Allen key 4	1		2
7	Anchor + screw M8*60	16		2
8	LCD screen remote control	1		2
9	6-output LED connector strip	1		2
010	Transformer - 24V 400W	1		2

*Important Note: The graphic representations (sketches, diagrams, and photos) in this document are not contractual and are provided for illustrative purposes only. They may differ from the final product.

4. ASSEMBLY PREPARATION

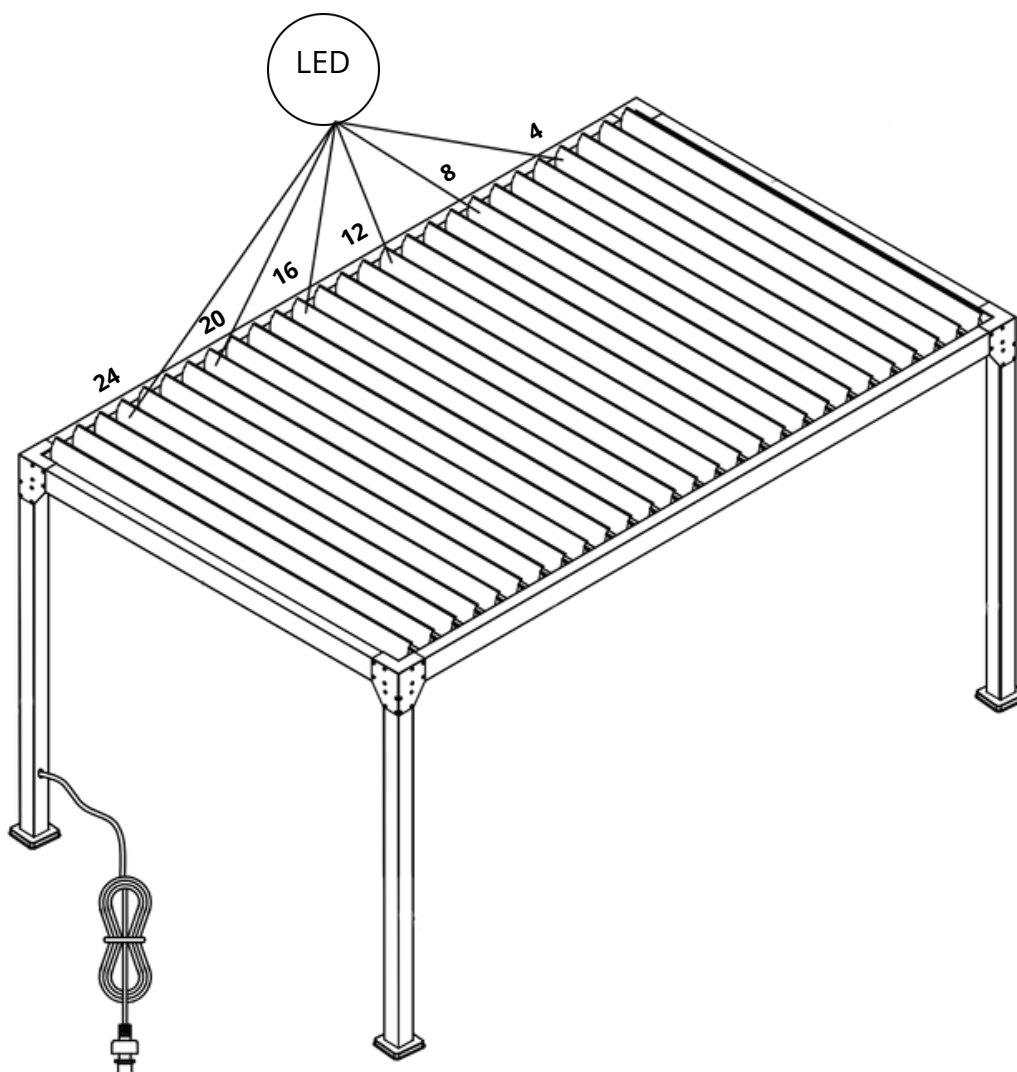
4.1 Mounting area:

To ensure easy assembly, a mounting area the size of the pergola plus at least 1 meter is required. Use a protective covering on the ground to prevent scratches.

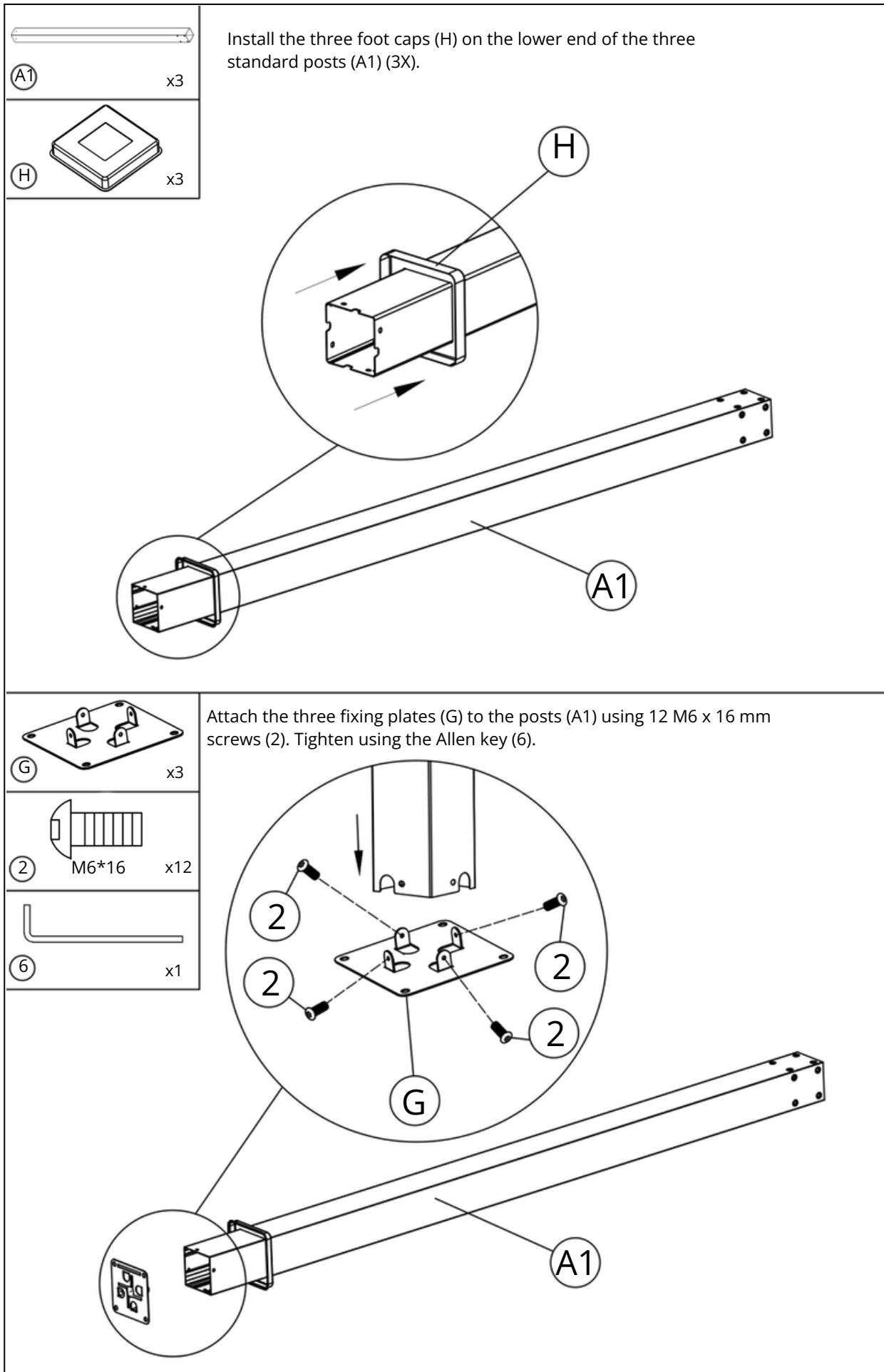
4.2 Position of the LED blades:

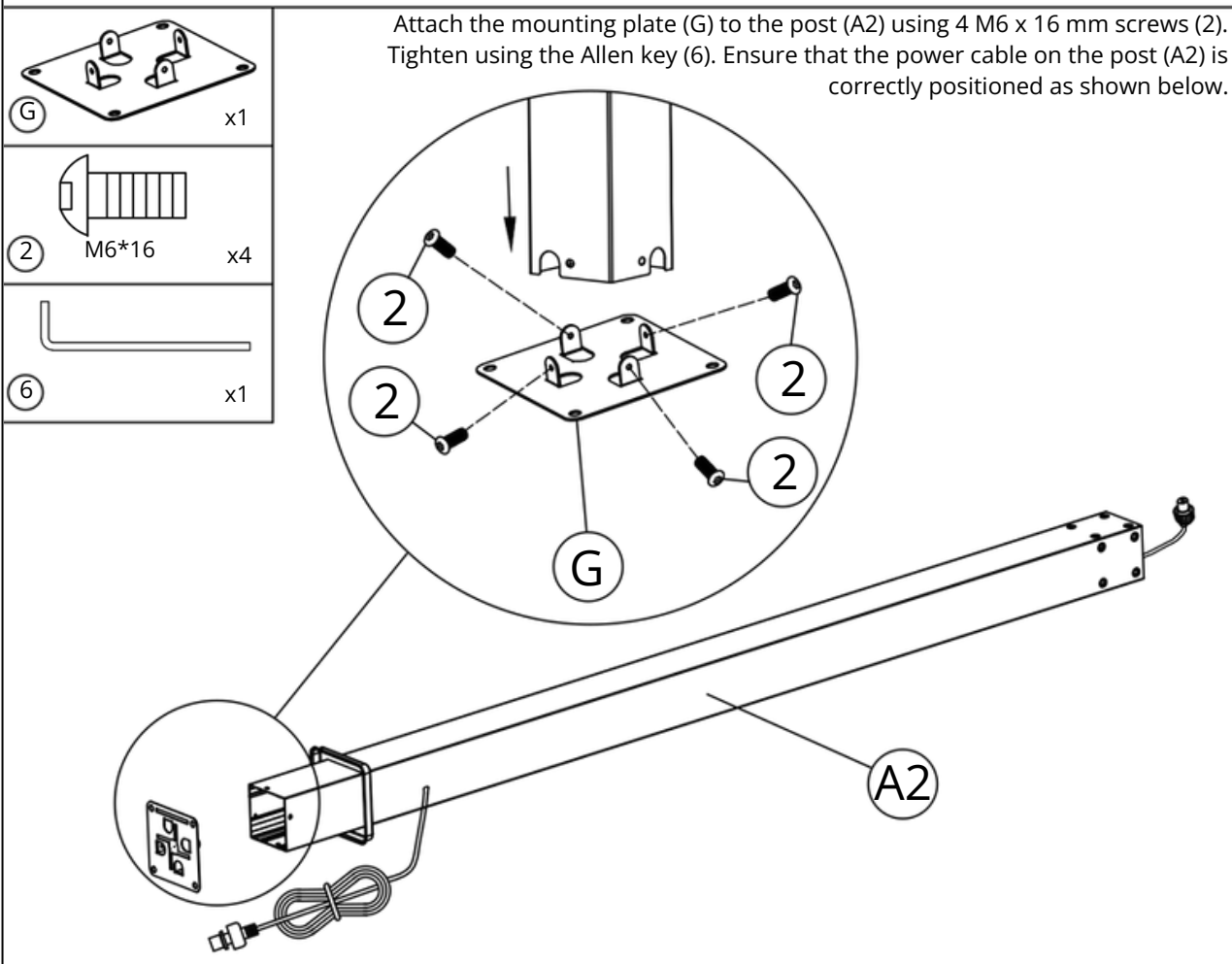
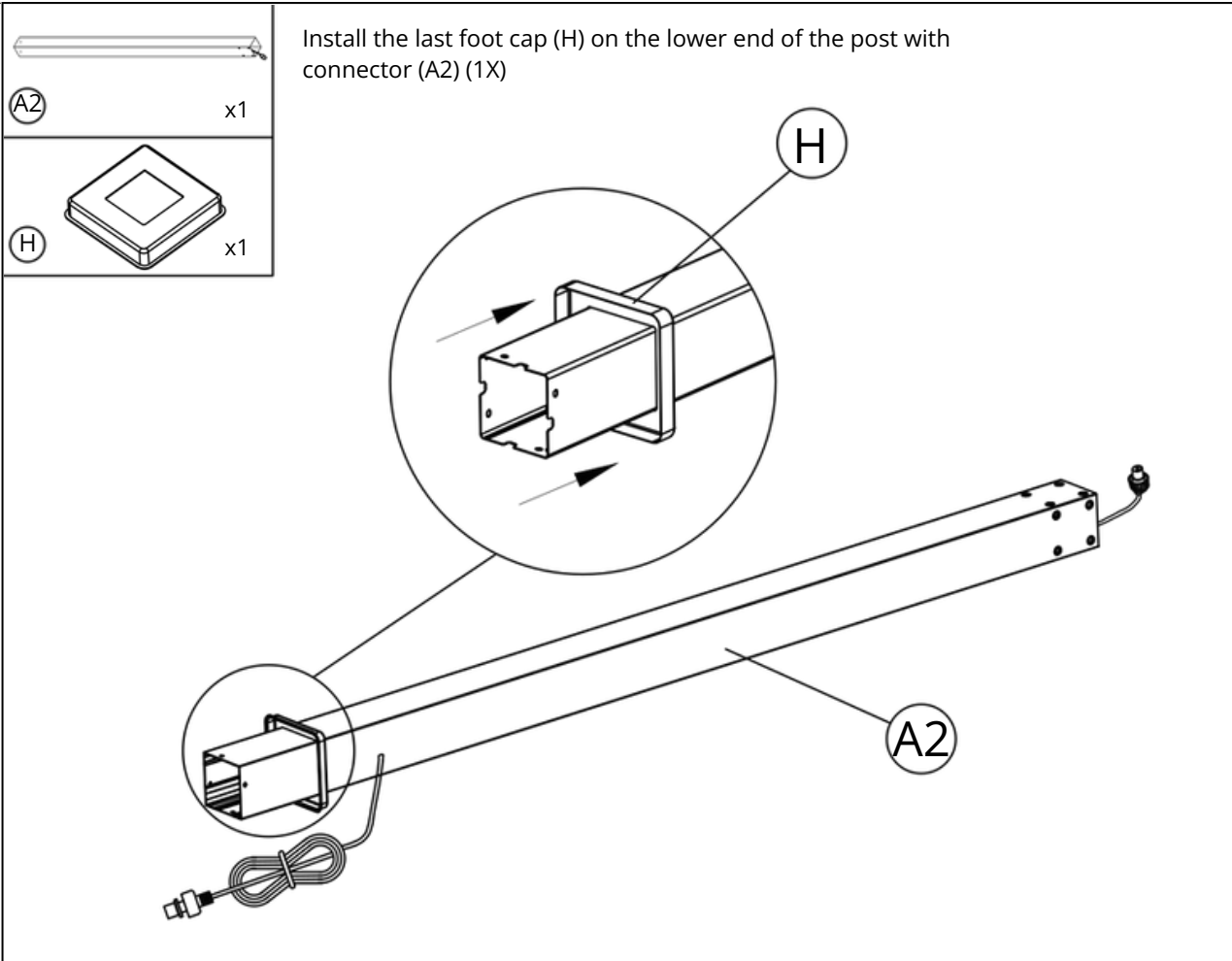
Your product includes standard roof slats and slats with integrated LED lighting. The LED slats must be positioned in the following locations:




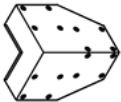
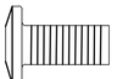

- Blades 4, 8, 12, 16, 20 and 24 (Page 16)



5. PERGOLA ASSEMBLY

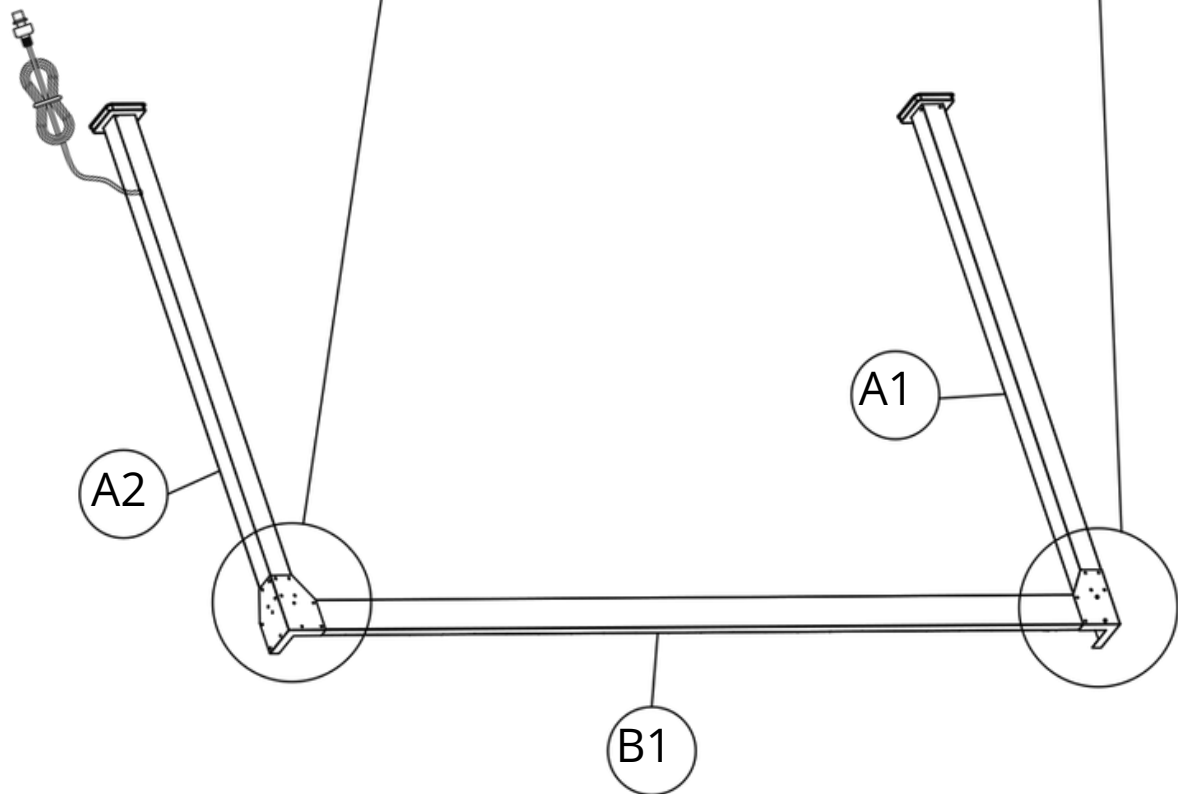
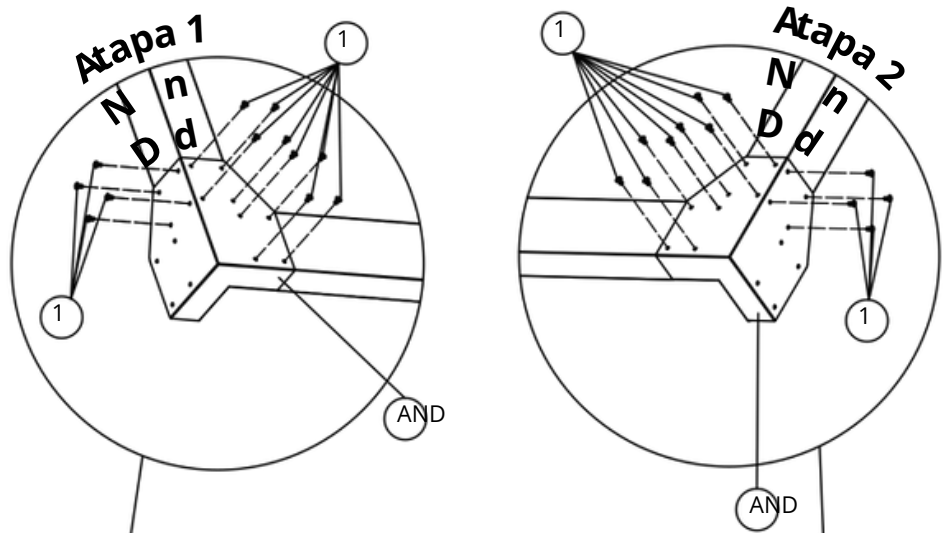


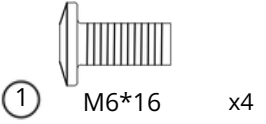


	(A1)	x1
	(A2)	x1
	(B1)	x1
	(AND)	x2
	(1)	M6*16 x24
	(6)	x1

Place the posts (A1 and A2) and the front beam (B1) on the assembly area

Step 1 and 2: Connect the two posts (A1 and A2) to the front beam (B1) using the two fixing brackets (E). Secure with 24 M6 x 16 mm screws (1).





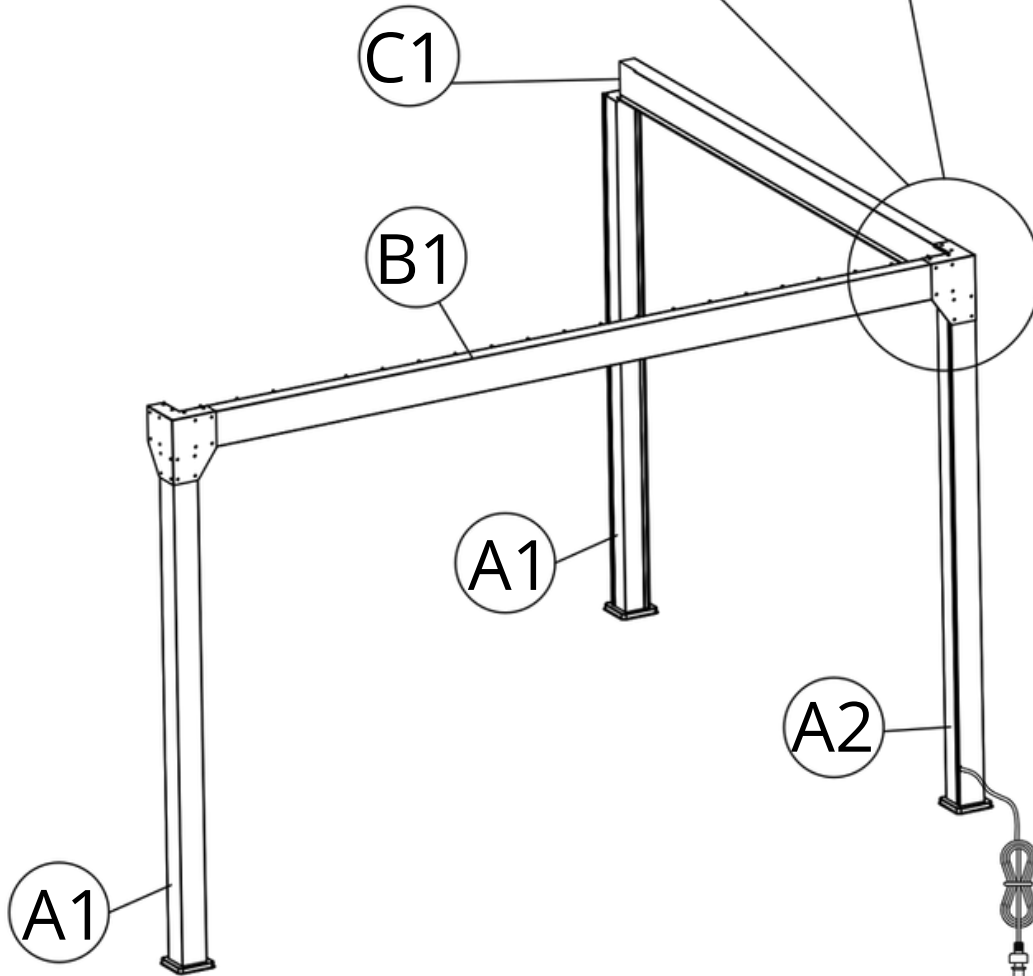
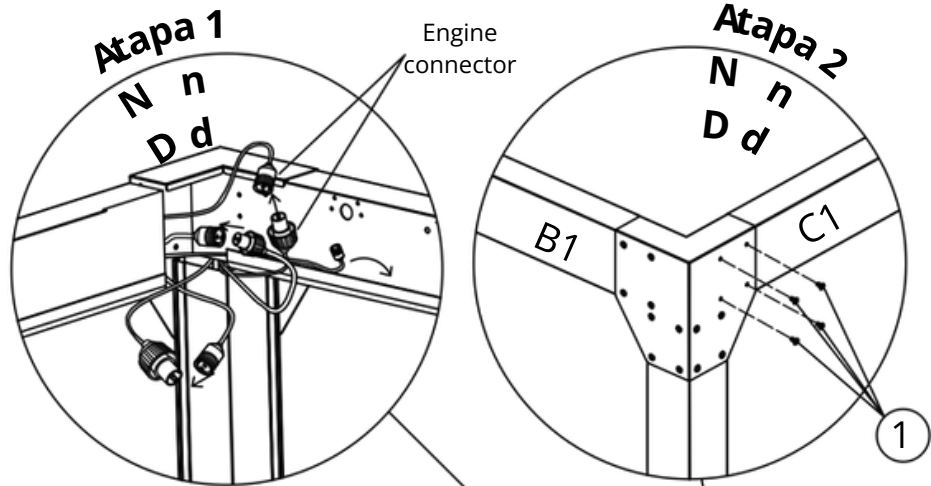
Position the side beam (C1) against the angle formed by the post (A2) and the front beam (B1).



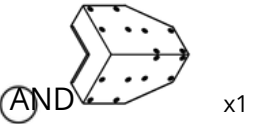
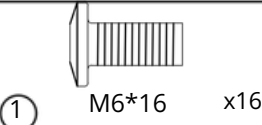

Step 1: Connect the motor connectors located in the corner.

Important: Connect plugs with identical labels together to ensure proper operation. (Ex: V1 to V1, V2 to V2, etc.) Place the LED strip cable in the gutter.

Step 2: Attach the beam (C1) to the posts (A1/A2) using 4 M6 x 16 mm screws

(1). Tighten with the Allen key (6).

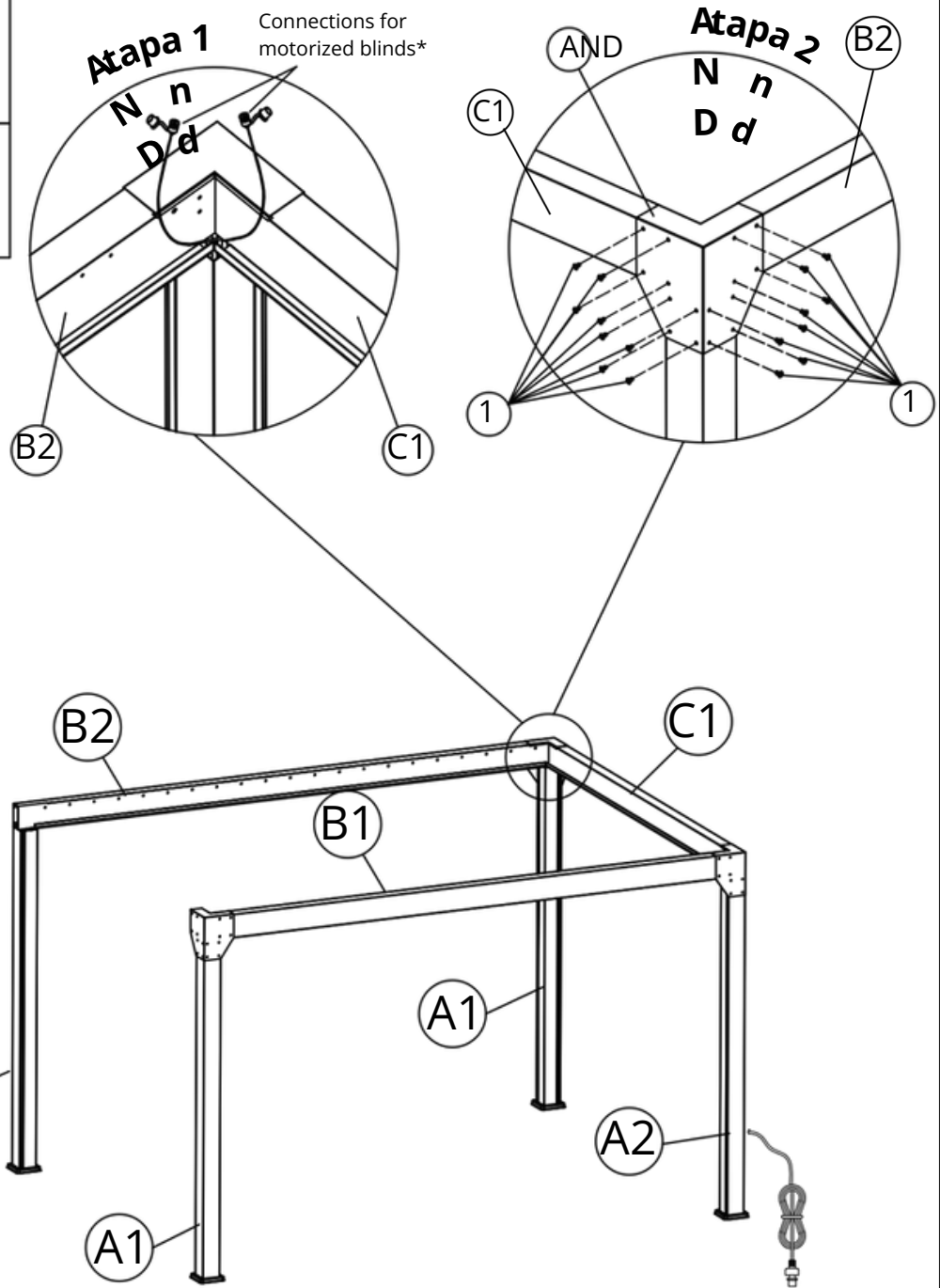


	B2	x1
	A1	x1
	AND	x1
	1	M6*16 x16
	6	x1


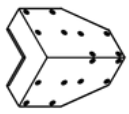
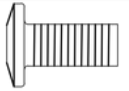

Step 1: Assemble the end of the rear beam (B2) to the side beam (C1) already installed.

Step 2: Use a fixing angle bracket (E) to secure the angle between (C1) and (B2). **Secure the assembly with 16 M6 x 16 mm screws (1)**

Position the last post (A1) under the beam (B2) previously placed.



*The connectors are used to connect motorized blinds sold separately. If you do not have blinds, close the cap on each connector and slide them into the channel. Blinds can be added later by retrieving the connectors.

	C2	x1
	AND	x1
	M6*16	x20
	6	x1

Step 1: Install the last side beam (C2) between the front beam (B1) and the rear beam (B2).

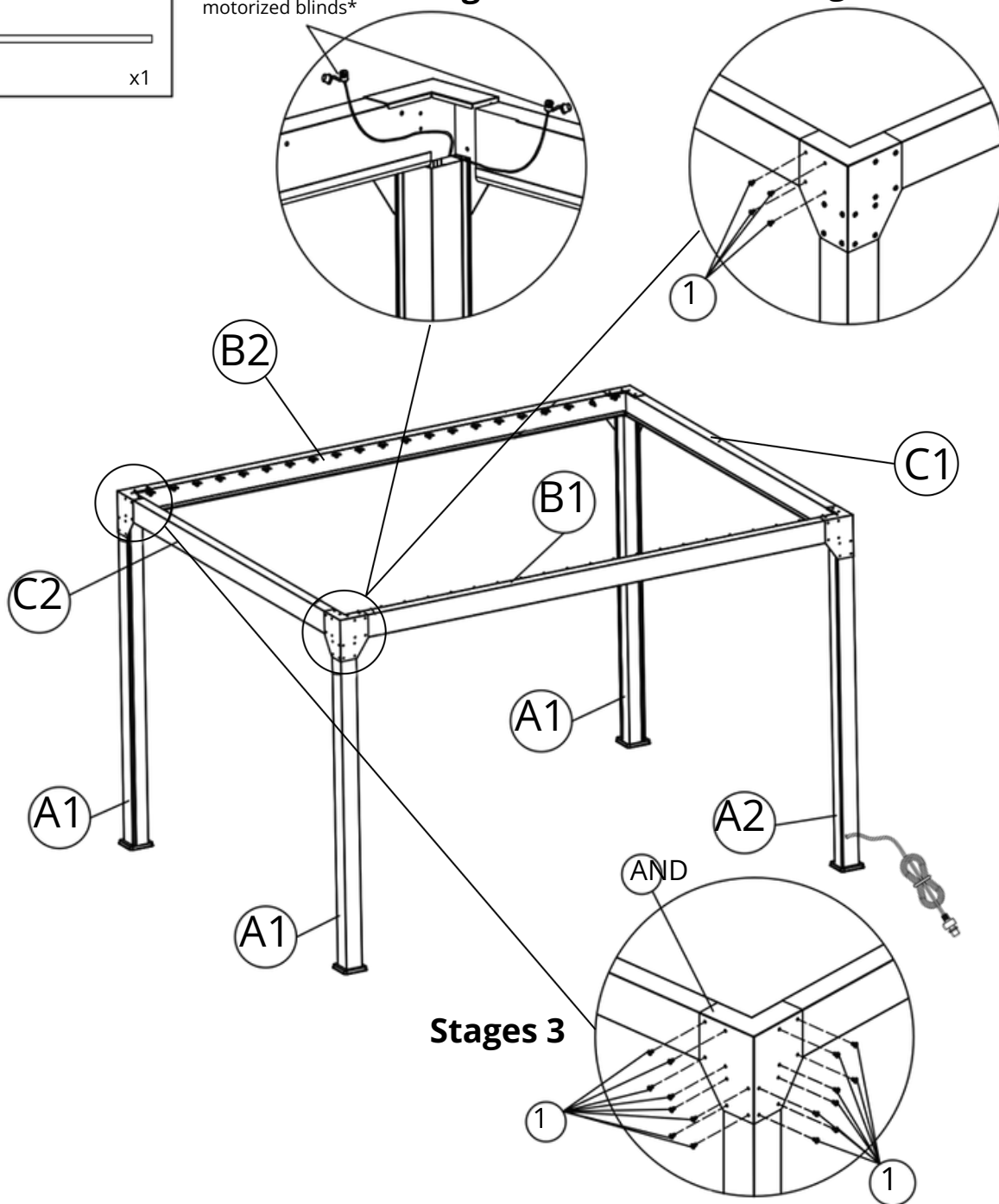
Step 2: Secure the first end of the beam (C2) with the beam (B1) and the post (A1) using 4 M6 x 16mm screws (1).

Step 3: Secure the second end of the beam (C2) with the beam (B2) and the post (A1) using 1 angle bracket (E) and 16 M6 x 16mm screws (1).

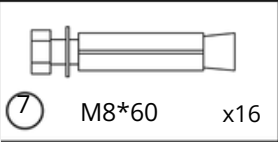
Connections for motorized blinds*

Stages 1

Stages 2



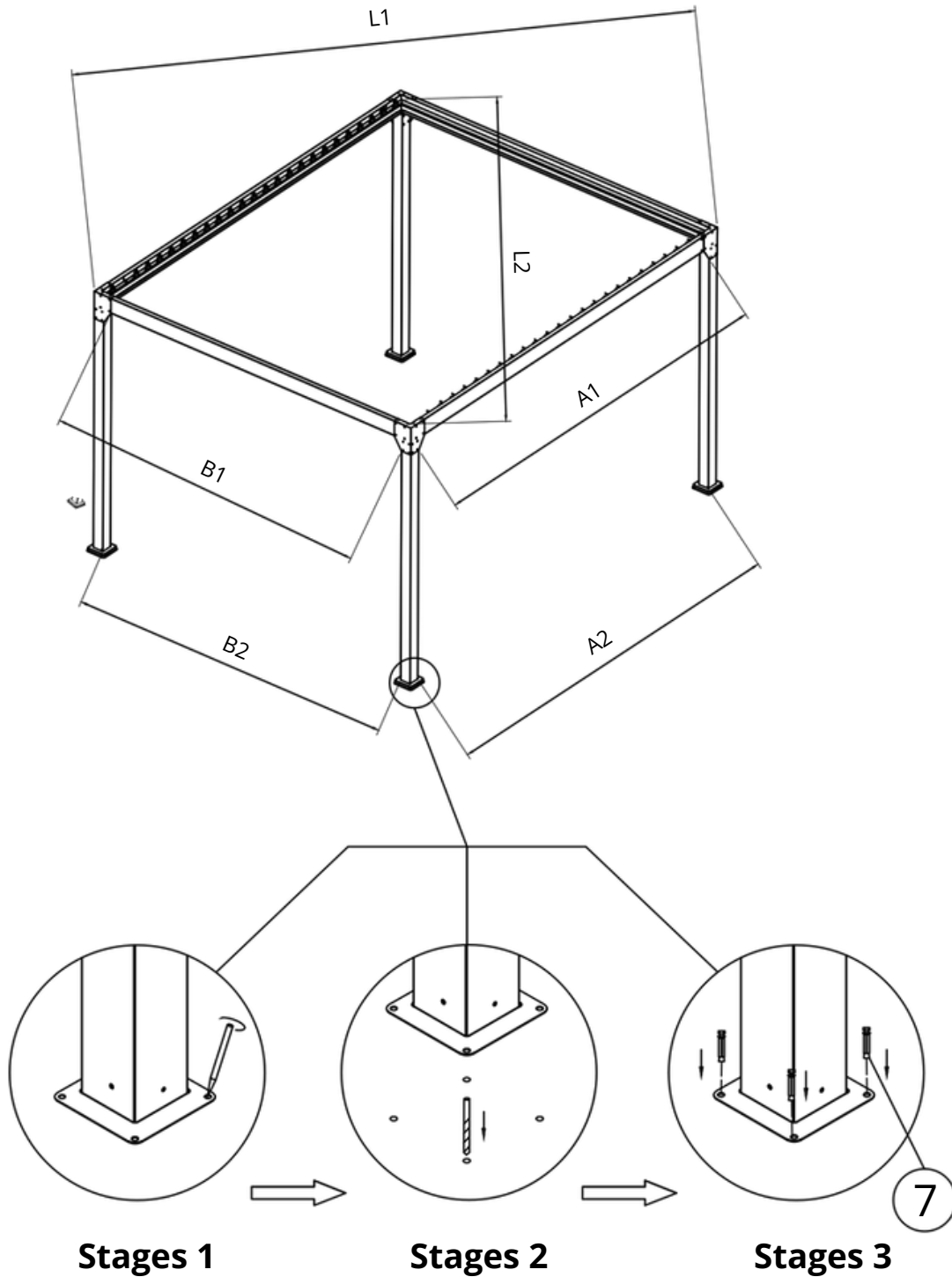
*The connectors are used to connect motorized blinds sold separately. If you do not have blinds, close the cap on each connector and slide them into the channel. Blinds can be added later by retrieving the connectors.



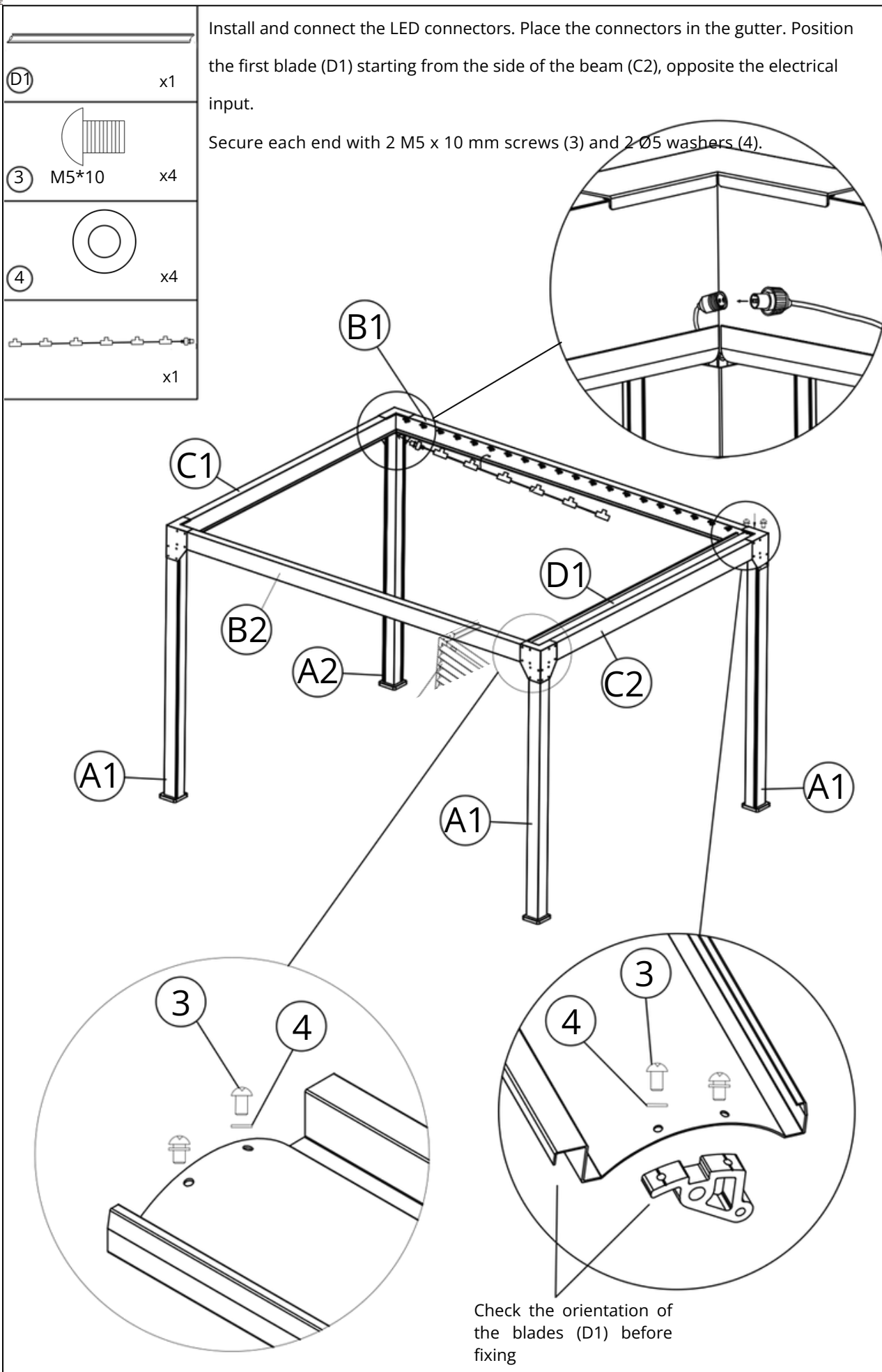
Squareness Check (Crucial): Before fixing to the ground, measure the diagonals (L1 and L2). They must be nearly identical ($L1=L2$) to ensure the structure is rectangular. Also check that the widths ($A1=A2$) and lengths ($B1=B2$) are equal at the top and bottom of the posts.

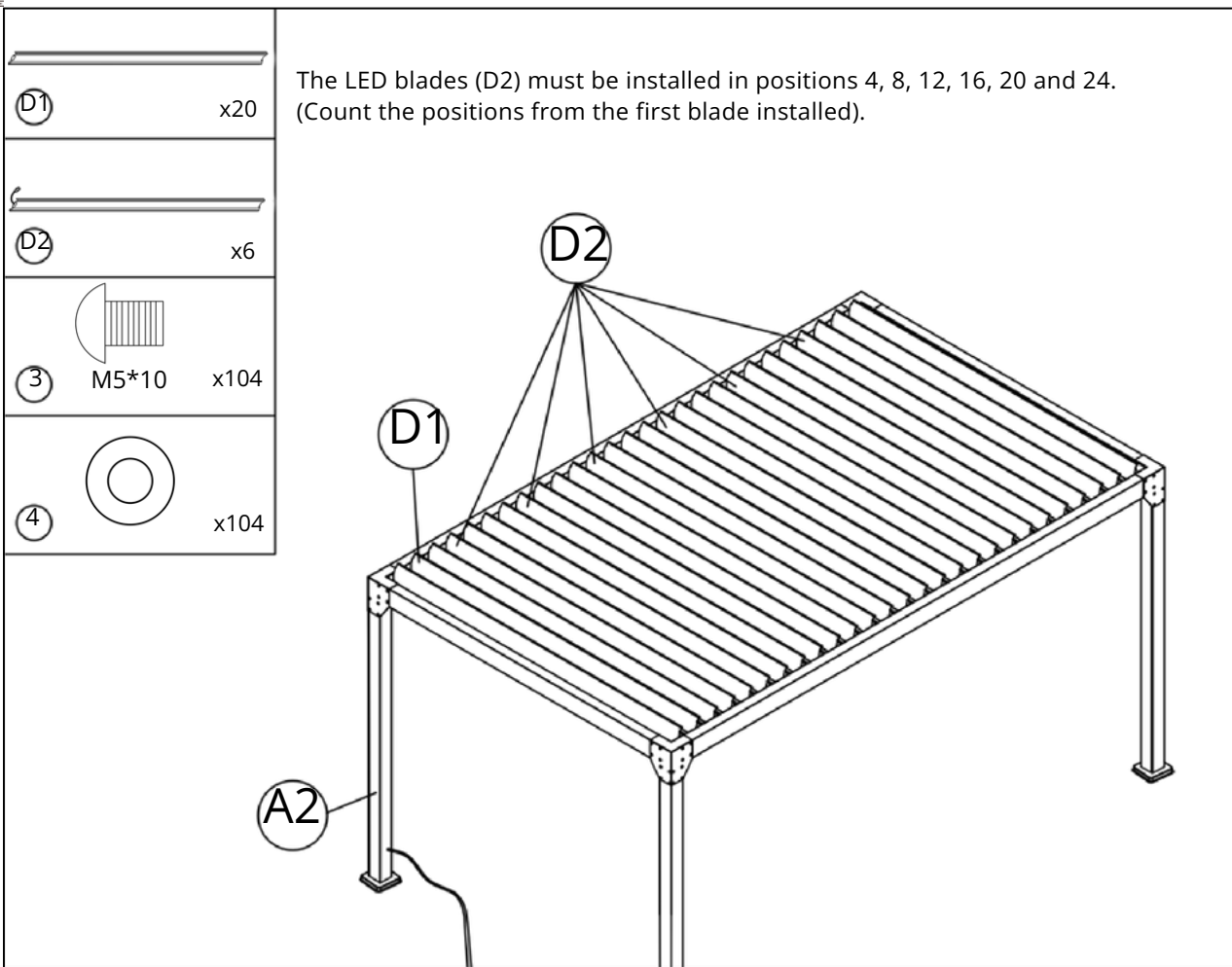
Step 1: Mark the location of the holes on the ground through the plates.

Step 2: Slightly offset the posts to drill, then put them back in place. Step 3: After checking that it is square, anchor the pergola to the ground at the four corners. Use the $\varnothing 10$ mm concrete drill bit and the M8 x 60 plugs and screws (7).



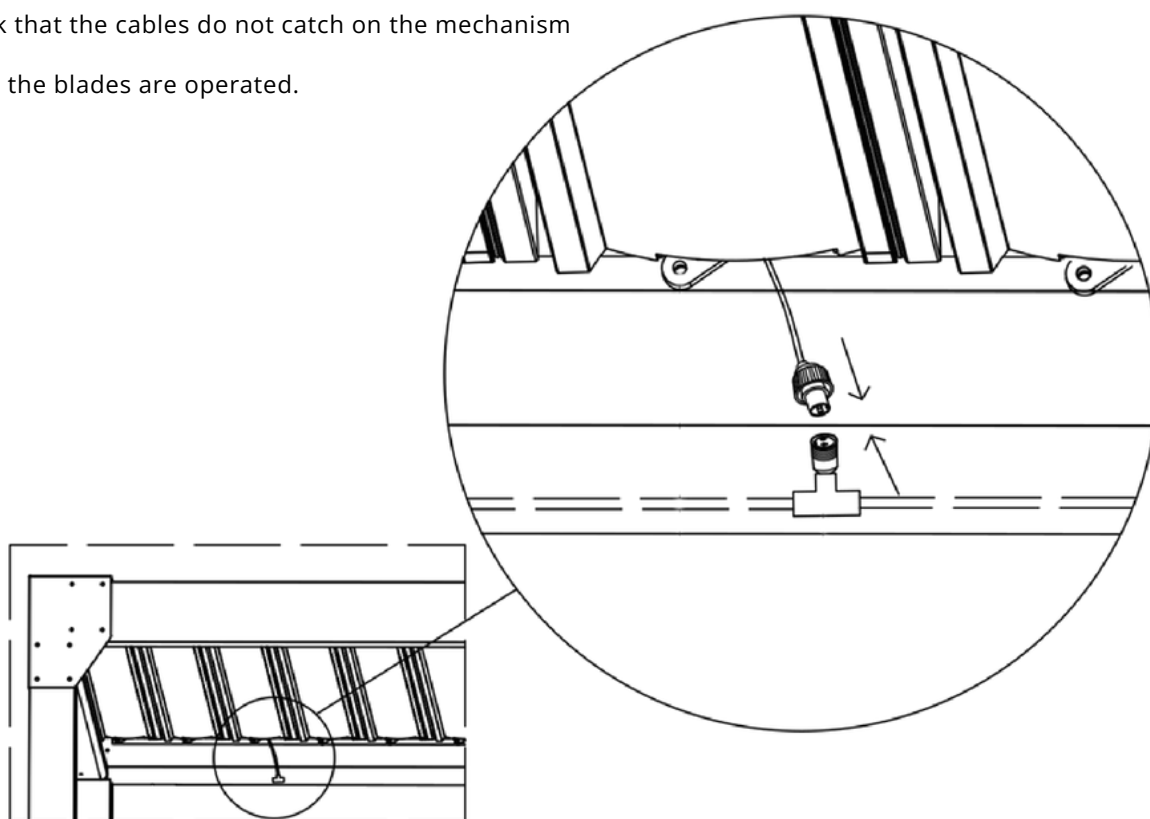
Lower the foot covers (H) to conceal the plates and floor fixings.

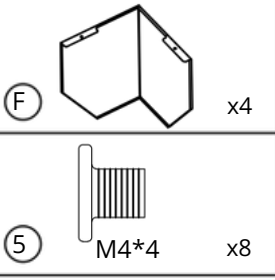




Connect the cable of each LED strip to the socket on the LED strip. Carefully place the cable in the channel.

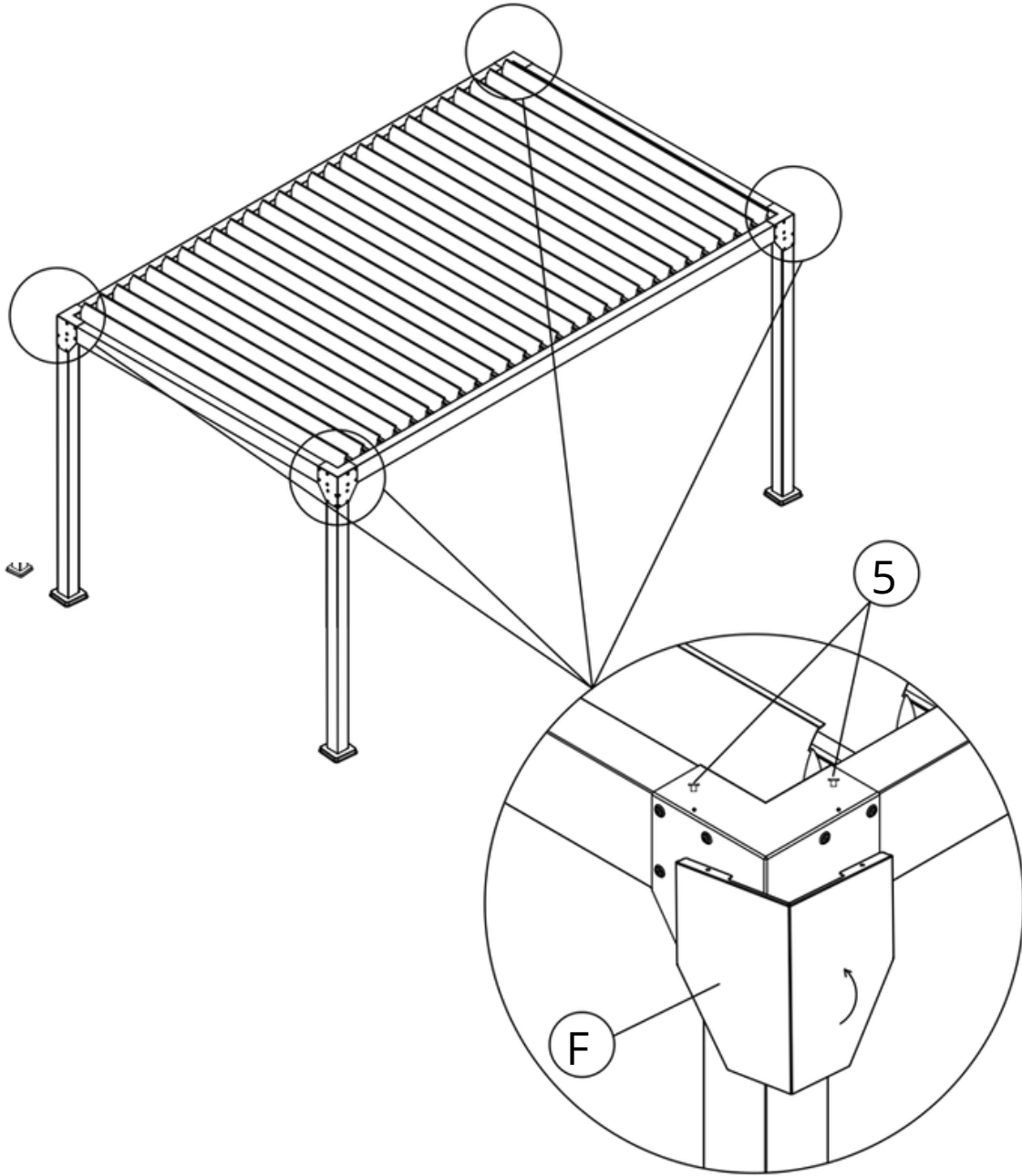
Check that the cables do not catch on the mechanism when the blades are operated.





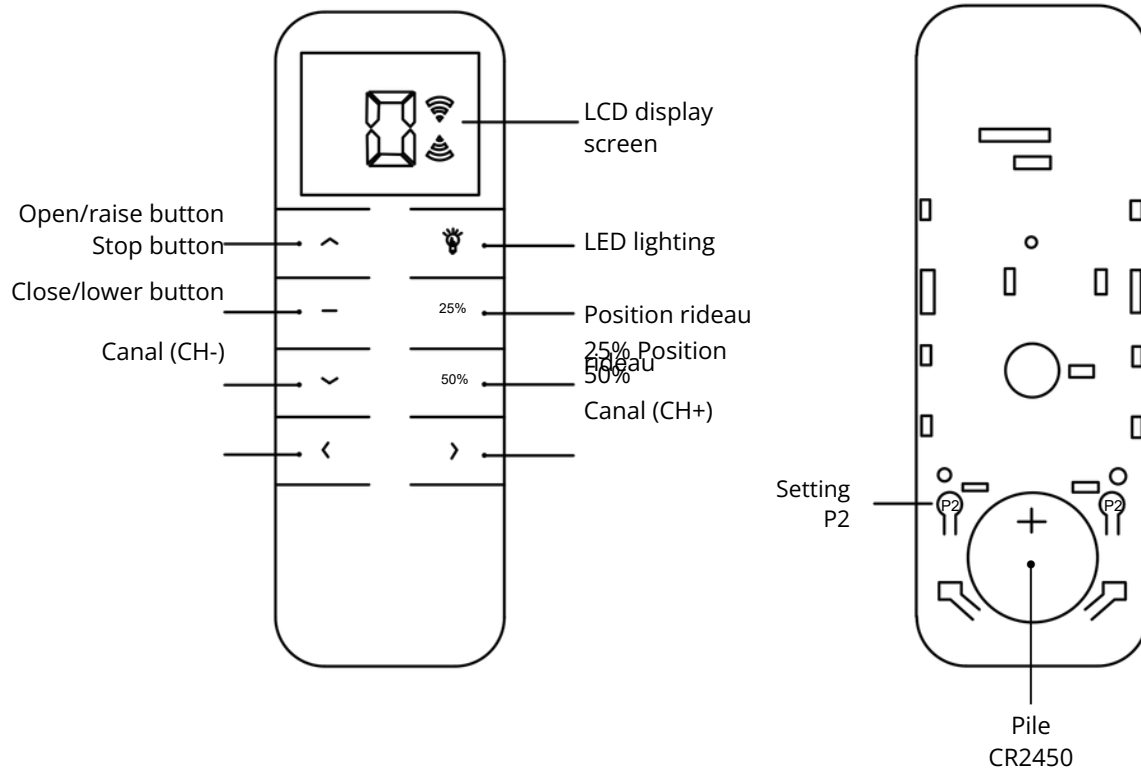
Position the corner caps (F) on the four upper corners of the pergola. First insert the lower part against the post, then press the upper part into place.

Screw the covers in place using the M4 x 4 mm screws (5) in the pre-drilled holes (2 screws per corner)



6. Remote control information

6.1 Remote control operation






IMPORTANT

- Keep the remote control dry and away from shocks to avoid affecting its lifespan.
- If you notice that the remote control's range has become noticeably shorter or its sensitivity has decreased during use, please check if the battery needs to be replaced.
- When the voltage drops below 2.6V, the battery icon is displayed to indicate low voltage.
- During the initial setup, ensure that the remote control displays all the information correctly when the different buttons are pressed.

1. Plug the first end of the power cord into a wall outlet and then connect the second end to the pergola cable.
2. A beep indicates that the pergola is electrically connected.
3. Wait a few seconds before using the remote control.
4. Your remote control is pre-programmed according to your product model. See below for details.

remote control features depending on your product model.

6.2 Use and features of the remote control

PERGOLA MONOZONE P12E4X3... / P15E5X3... / P16E4X4...	PERGOLA BIZONE P18E6X3... / P20E5X4... / P24E6X4... / P32E8X4...	PERGOLA RETRACTABLE PR12E4X3... / PR15E5X3... / PR18E6X3...
<p>Channel 0: Controls the tilt of all slats and the raising/lowering of all curtains* Channel 1: Controls the tilt of all slats Channel 2: Controls the raising/lowering of all curtains</p> <p style="text-align: center;"></p> <p>Channel 0 alone allows for complete lighting control of the pergola. Channels 1 and above do not allow for lighting control.</p>	<p>Channel 0: Controls the tilt of all slats and the raising/lowering of all curtains* Channel 1: Controls the tilt of the slats in the primary zone Channel 2: Controls the tilt of the slats in the secondary zone</p> <p style="text-align: center;"></p> <p>Channel 0 alone allows for complete lighting or switching off of the pergola. Channels 1 and 2 allow for lighting and switching off of the primary and secondary zones, respectively. Channels 3 and above do not allow for lighting control.</p>	<p>Channel 0: Controls the tilt (^) and the retraction (2x ^) of (1x all slats, raising/lowering all curtains* Channel 1: Controls the tilt of all slats Channel 2: Controls the retraction of all slats</p> <p style="text-align: center;"></p> <p>Channels 0 and 1 allow you to turn the pergola lights on or off completely. Channels 2 and above do not allow you to control the lighting. CAUTION: The blades can only be retracted when they are in a vertical position. Ensure the blades are fully tilted in the vertical position before retracting them.</p>

ANY MODEL

Channels 3 and above: Control the raising and lowering of the curtains on all models.

*Motorized curtains are accessories sold separately.

7. Troubleshooting & Frequently Asked Questions

- **I can't get my pergola to work. What should I do?**

1. I check that the remote control is working correctly (the LCD screen lights up when a button is pressed). 2. I check that I am on the correct channel (see page 19). 3. I make sure I hear a "beep" when connecting the pergola's power supply to the household outlet. 4. I check that the household outlet is working correctly using a multimeter or a similar device.

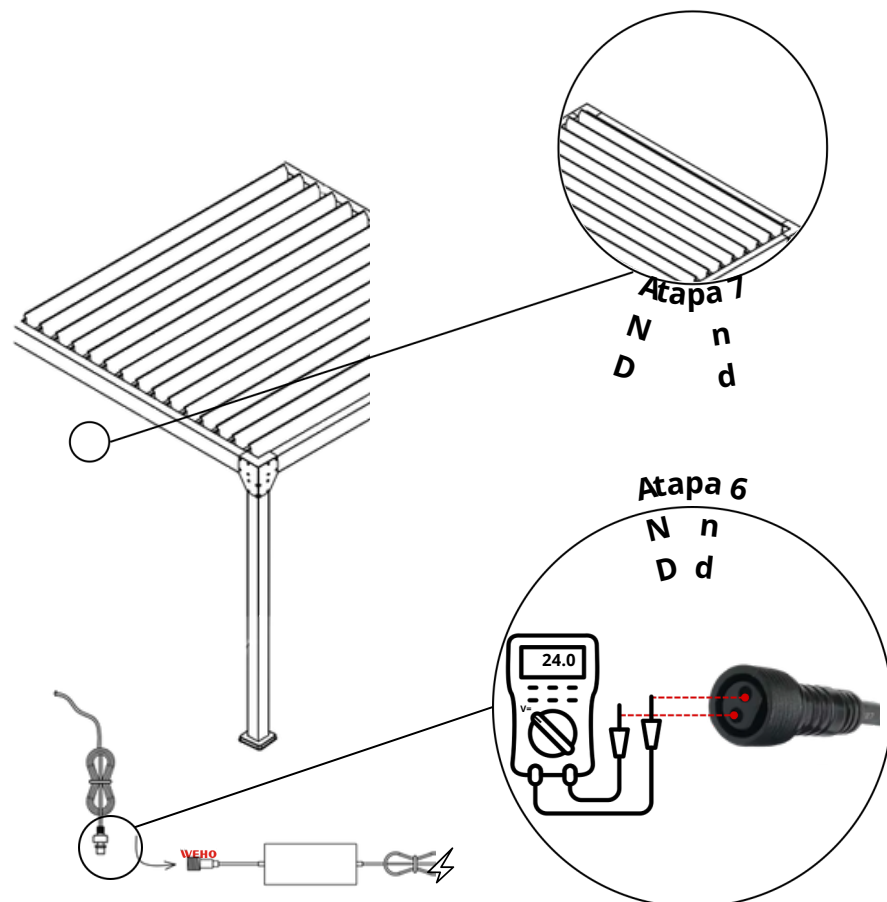
phone charger or lamp.

5. I check that all power cables are correctly connected to each other, having previously disconnected the power supply. (See page 11).

6. I check for the presence of 24V current at the transformer output using a multimeter*. (see diagram below) below).

7. I check that the screws securing the electrical cables in the control box are properly tightened, having The power supply has been disconnected beforehand. (see diagram below).

*24V Current Presence Verification Procedure: This is a low-voltage electrical test. There is no risk of electric shock. Use a multimeter. Turn on your multimeter in voltmeter mode (V= or V DC). Insert each probe into each pin of the connector located at the transformer output.



- **Do I need to take any steps before installing my products?**

Installing a bioclimatic pergola, carport, or garden shed requires some administrative procedures depending on its size and location. Our garden sheds have a footprint of 5m² to 20m² and are subject to a prior declaration of works. For our models smaller than 5m², you do not need planning permission, but you must still comply with the rules of the Local Urban Development Plan (PLU) or equivalent urban planning document. Bioclimatic pergolas and carports with a surface area greater than 5m² and less than or equal to 20m² are subject to a prior declaration of works. For bioclimatic pergolas and carports with a surface area greater than 20m², you must apply for a building permit. Special cases:

- Listed site or protected area: before any installation, you must obtain approval from the Architects of the Buildings of France (ABF). Condominium regulations: if you own a condominium, authorization from the general meeting may be required. Local Urban Development Plan (PLU): some municipalities have specific restrictions (height, color, materials); it is advisable to consult the town hall before purchasing any product.
-

The development tax: Garden sheds larger than 5m² are subject to the development tax, unless exempted by the municipality. The amount is calculated on a flat-rate basis per m² and varies depending on the location.

- **Can I order the accessories for my bioclimatic pergola at a later date?**

Yes, our bioclimatic pergolas are modular. Curtains or panels can be added later. Please be careful to check the compatibility of the accessories with your pergola model before placing your order.

- **How does the delivery of my products work?**

Our garden sheds, bioclimatic pergolas, and sunshades are delivered by a carrier. They will contact you to schedule a delivery appointment, which will be made using a semi-trailer equipped with a forklift. Our curtains are delivered by a traditional carrier.

For a stress-free assembly, find all our assembly instructions in video format on our YouTube page and on our website by clicking on the following link or by scanning the QR code.

<https://www.youtube.com/@greenoutside8067>



<https://green-outside.com/>



8. Warranty and contact

Your product is covered by a legal warranty against any manufacturing defects. You can find the details of the Green Outside legal warranty by clicking on the following link <https://green-outside.com/procedure-sav/> or by scanning the QR code.



For any warranty claim or in case of a problem with your product, please contact Green Outside customer service using the following contact details: sav@green-outside.com 04 74 55 36 54 - Option 2 As part of its continuous improvement policy, Green Outside reserves the right to modify its products without notice.

For more information on Green Outside products:
info@green-outside.com and www.green-outside.com