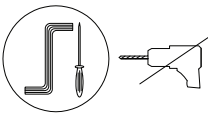



# BODMIN

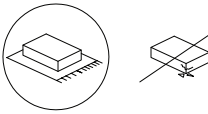





!



30'






!

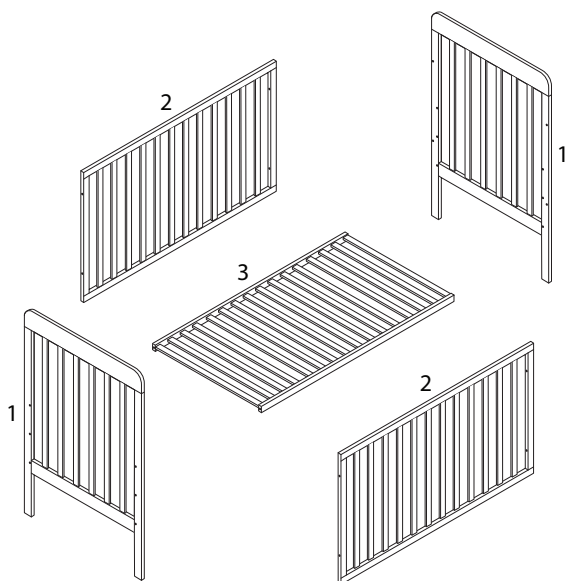


2


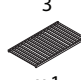


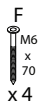
1/5

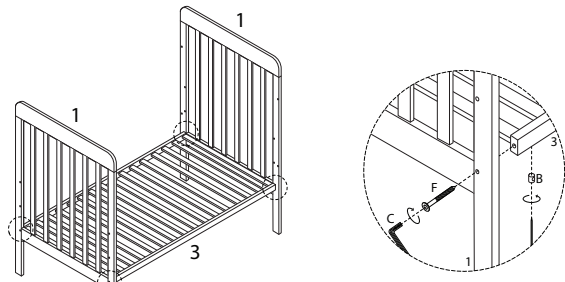
2396/BODMIN/090725/






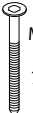
<b>1</b>  x 2	<b>2</b>  x 2	<b>3</b>  x 1
--------------------------------------------------------------------------------------------------------	--------------------------------------------------------------------------------------------------------	--------------------------------------------------------------------------------------------------------



**1**  

<b>1</b>  x 2	<b>3</b>  x 1	<b>B</b>  x 4	<b>C</b>  x 1	<b>F</b> M6 x 70  x 4
----------------------------------------------------------------------------------------------------------	----------------------------------------------------------------------------------------------------------	----------------------------------------------------------------------------------------------------------	----------------------------------------------------------------------------------------------------------	------------------------------------------------------------------------------------------------------------------------


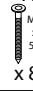



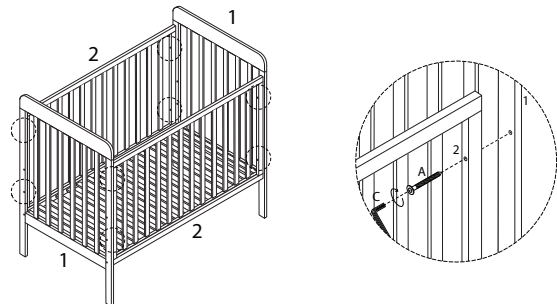
<b>A</b> M6 x 55  x 8	<b>B</b>  x 4	<b>C</b>  x 1	<b>D</b>  x 2	<b>E</b>  x 2	<b>F</b> M6 x 70  x 4
----------------------------------------------------------------------------------------------------------------------	--------------------------------------------------------------------------------------------------------	--------------------------------------------------------------------------------------------------------	--------------------------------------------------------------------------------------------------------	--------------------------------------------------------------------------------------------------------	----------------------------------------------------------------------------------------------------------------------

2/5

2396/BODMIN/090725/

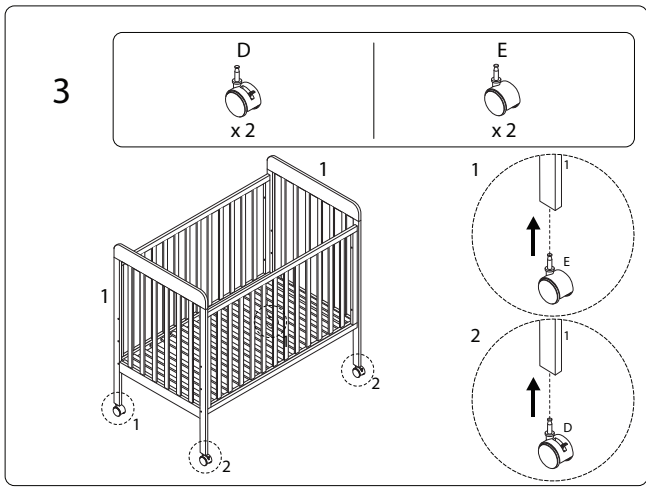
**2**  

<b>2</b>  x 2	<b>A</b> M6 x 55  x 8	<b>C</b>  x 1
----------------------------------------------------------------------------------------------------------	------------------------------------------------------------------------------------------------------------------------	----------------------------------------------------------------------------------------------------------



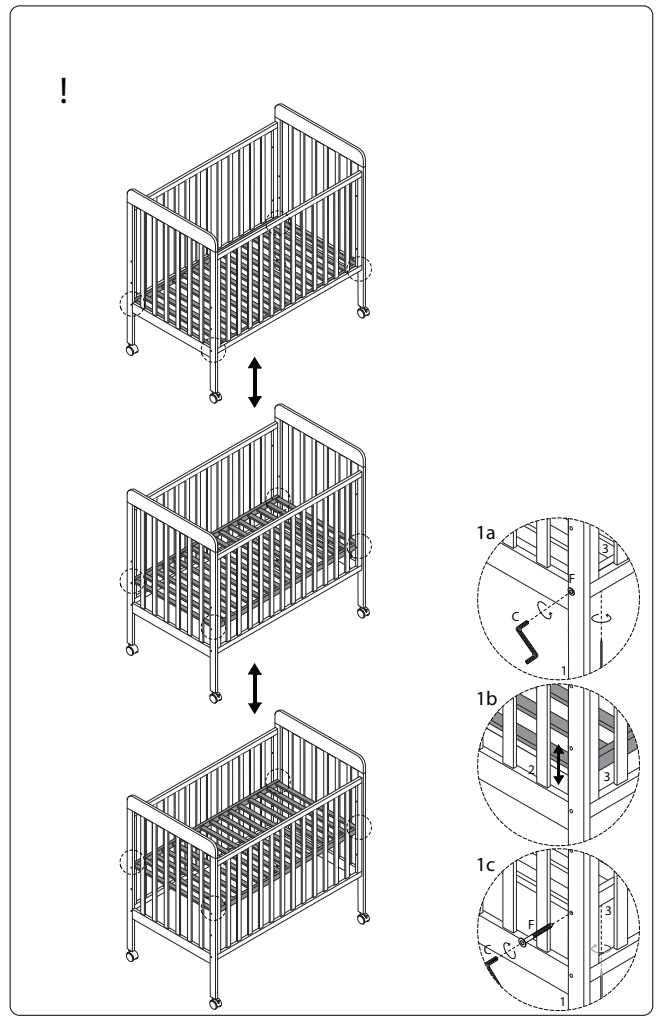
3/5

2396/BODMIN/090725/



4/5

2396/BODMIN/090725/



5/5

2396/BODMIN/090725/