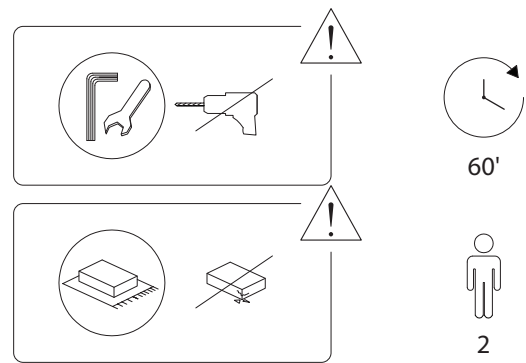
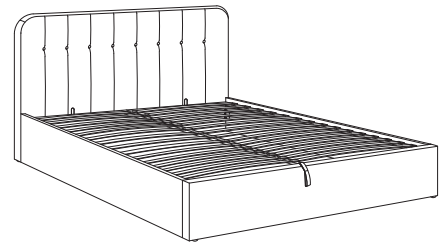
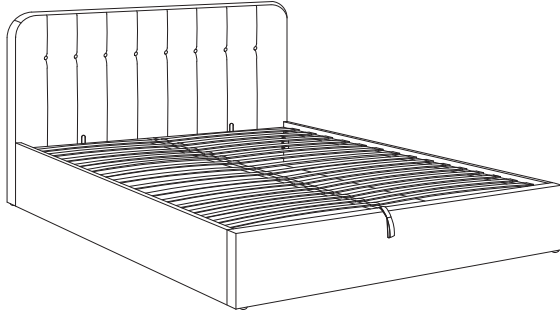
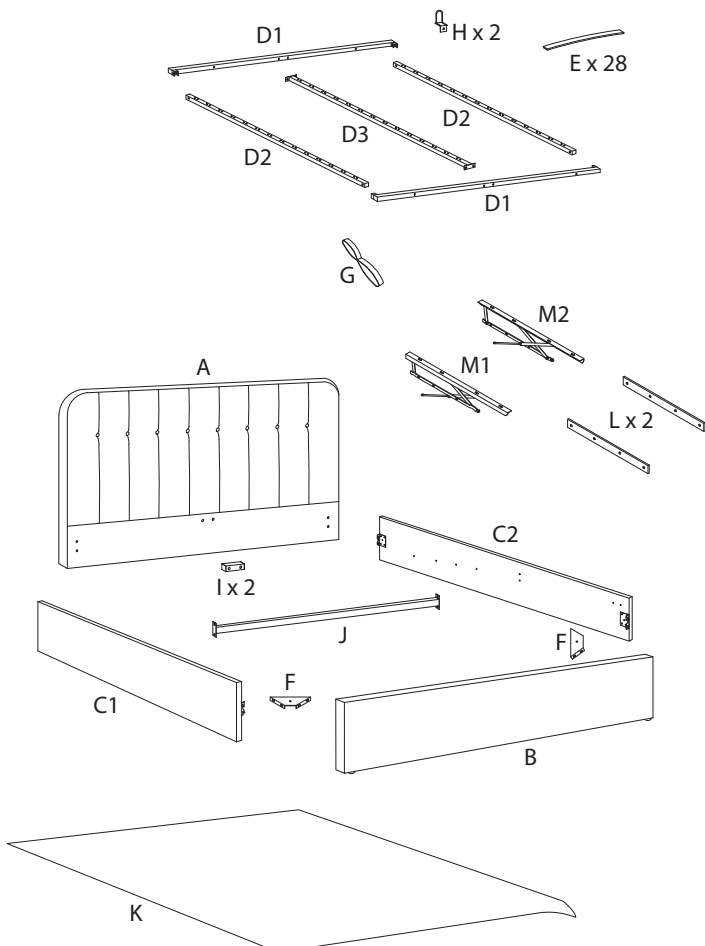


CHALLANS



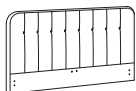

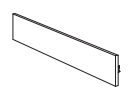
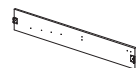







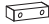





1/14

751/CHALLANS-140,160/191125/



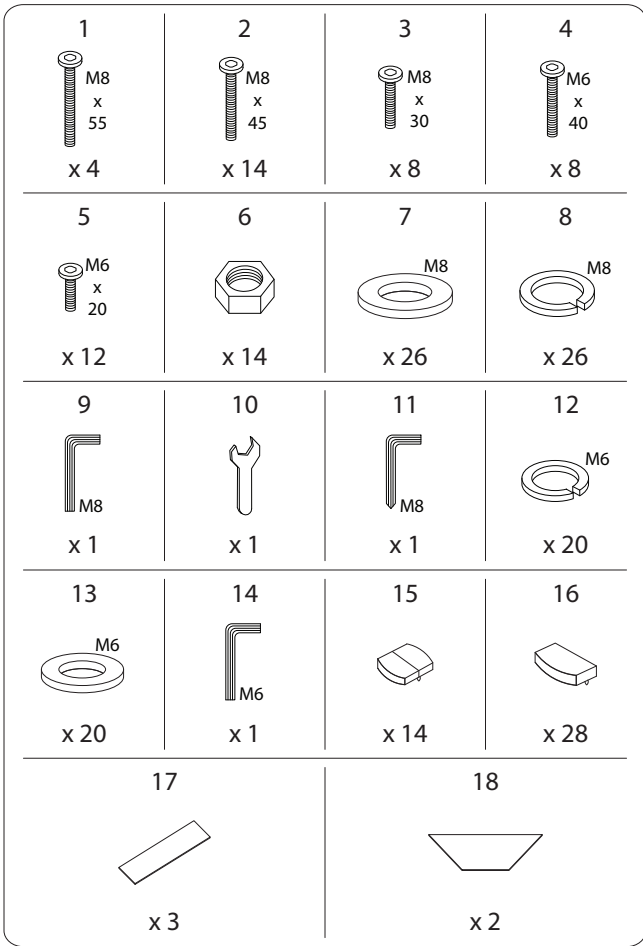
2/14

751/CHALLANS-140,160/191125/

 x 1	 x 1	 x 1	 x 1
 x 2	 x 2	 x 1	 x 28
 x 2	 x 1	 x 2	 x 2
 x 1	 x 1	 x 2	 x 1
 x 1			

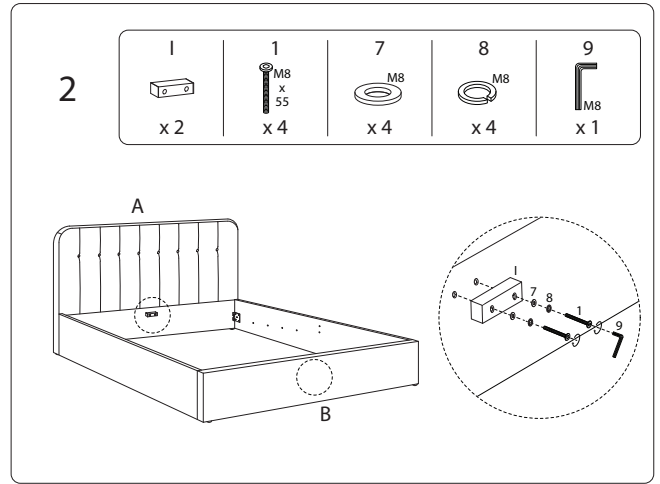
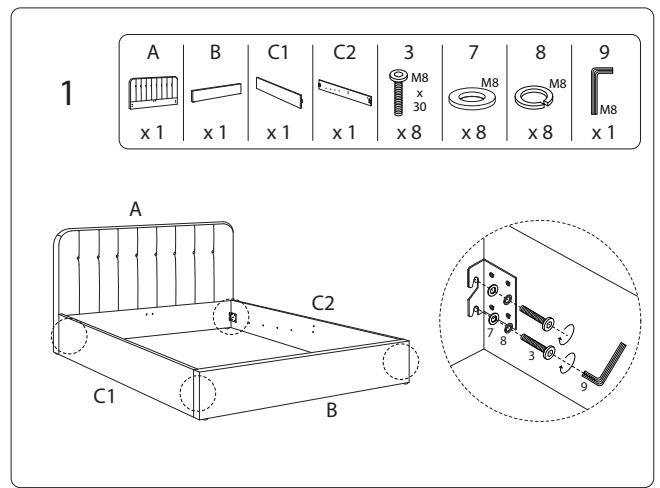
3/14

751/CHALLANS-140,160/191125/



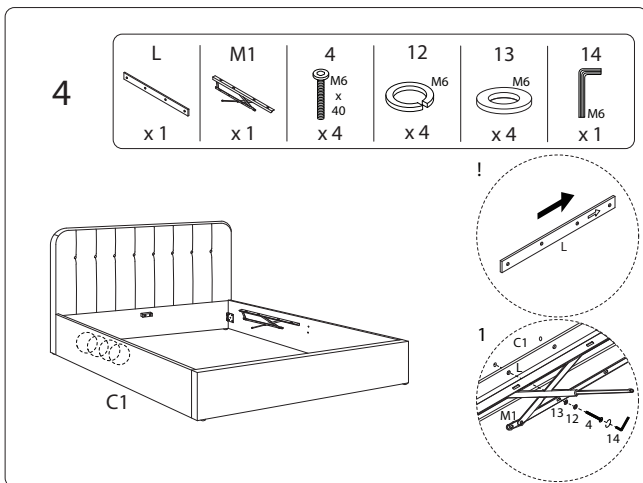
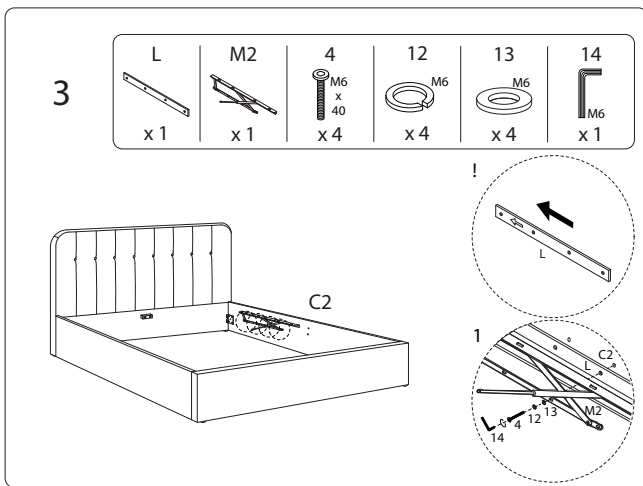
4/14

751/CHALLANS-140,160/191125/



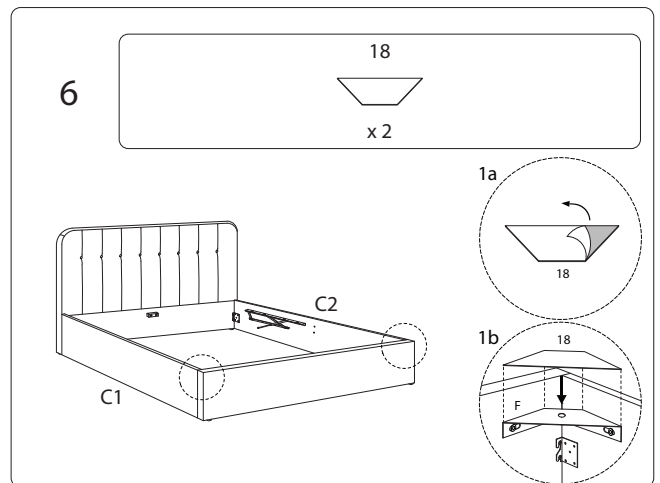
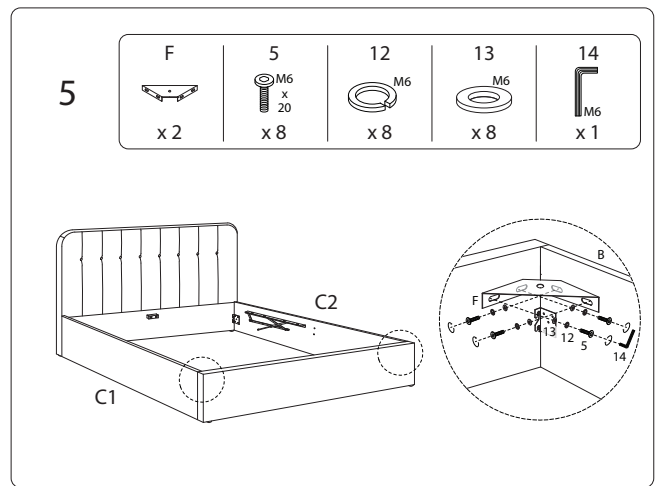
5/14

751/CHALLANS-140,160/191125/



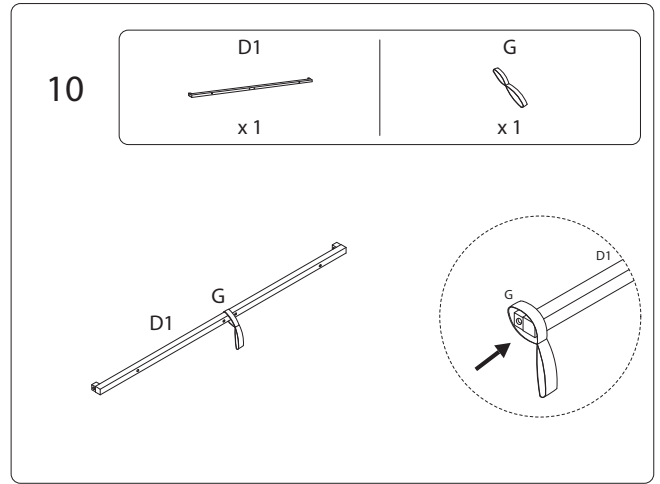
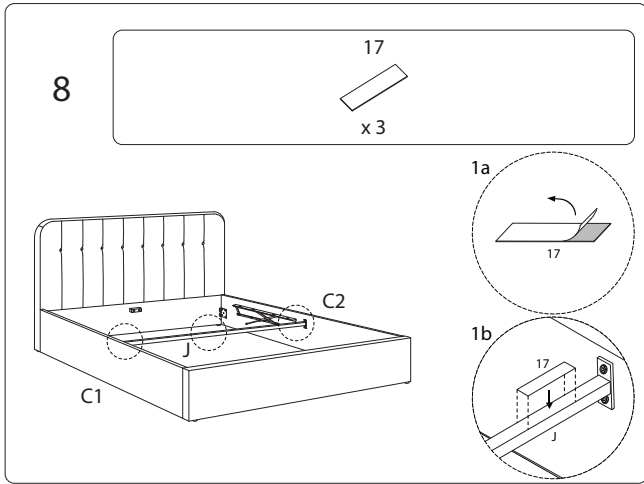
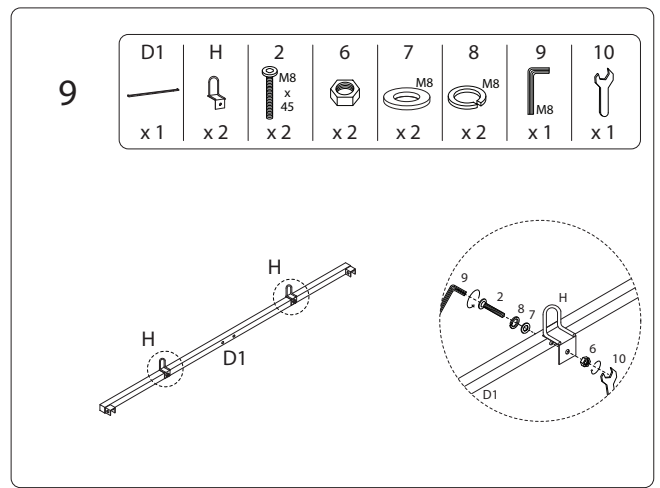
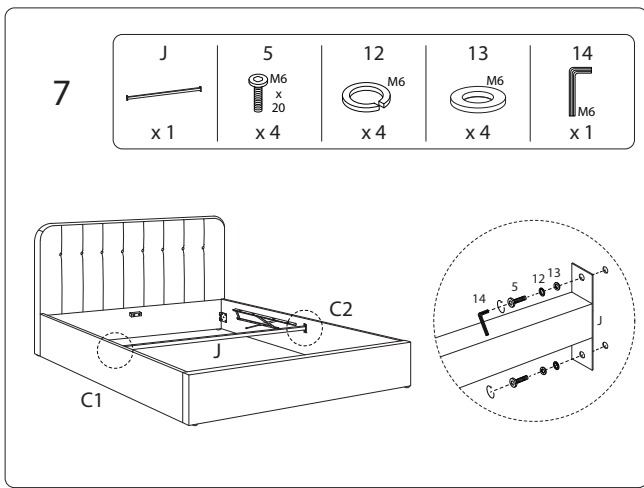
6/14

751/CHALLANS-140,160/191125/



7/14

751/CHALLANS-140,160/191125/

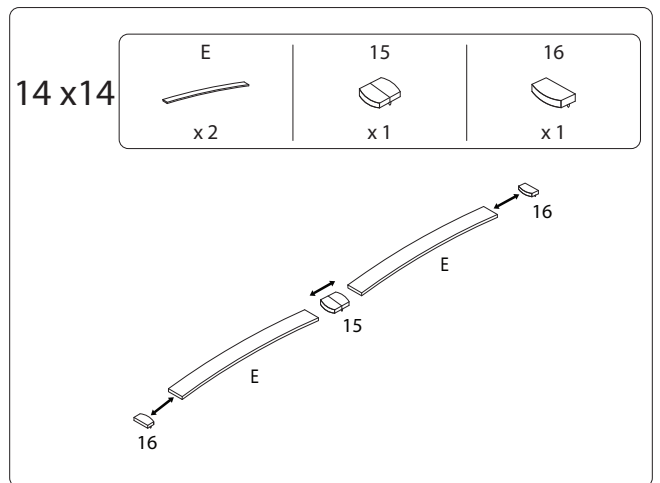
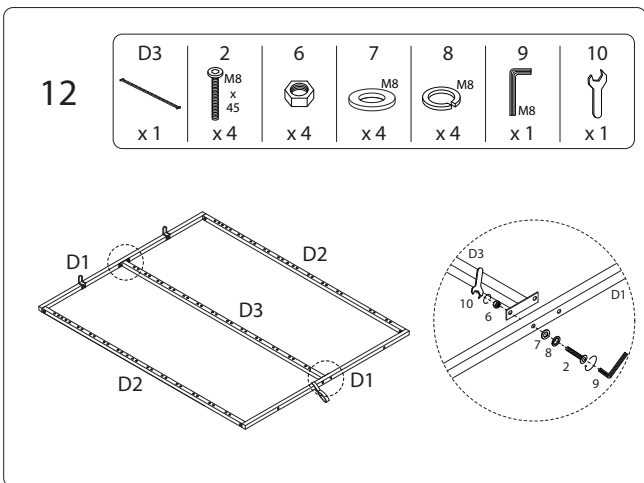
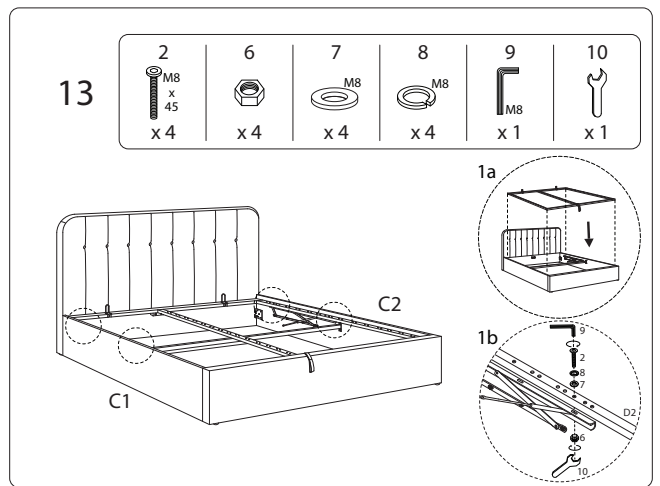
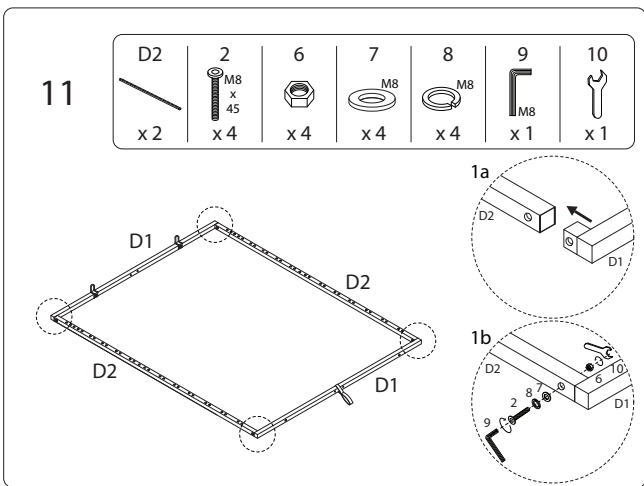


8/14

751/CHALLANS-140,160/191125/

9/14

751/CHALLANS-140,160/191125/

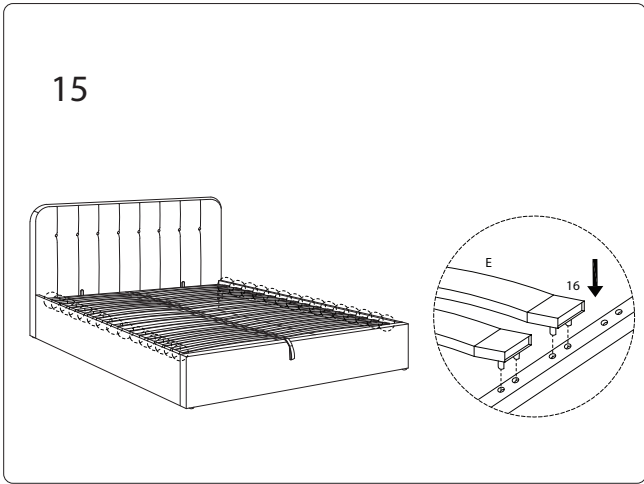
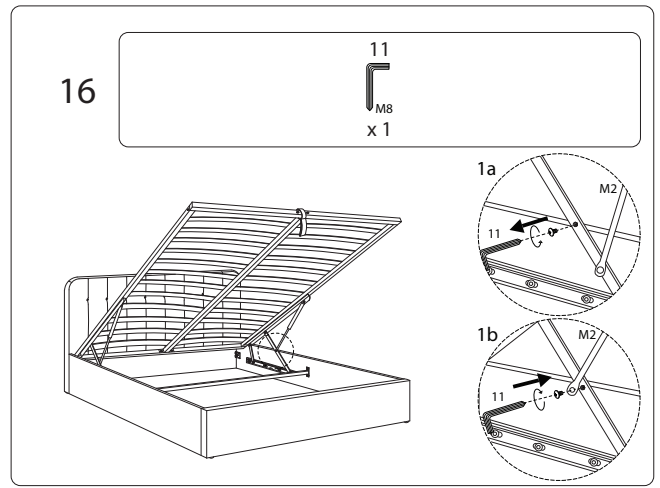
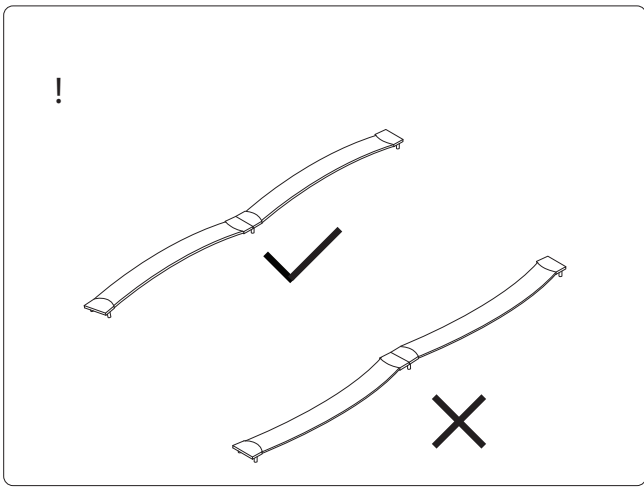


10/14

751/CHALLANS-140,160/191125/

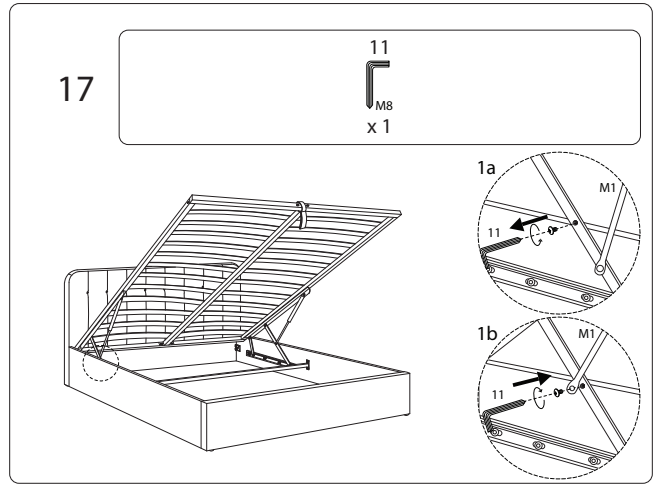
11/14

751/CHALLANS-140,160/191125/



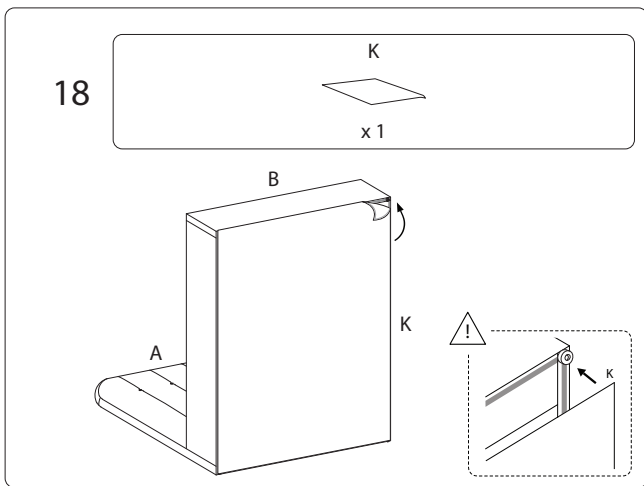
12/14

751/CHALLANS-140,160/191125/



13/14

751/CHALLANS-140,160/191125/



14/14

751/CHALLANS-140,160/191125/