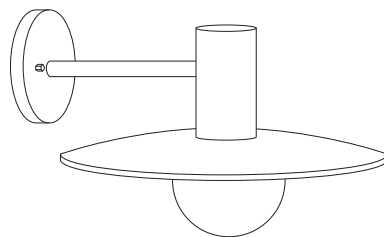
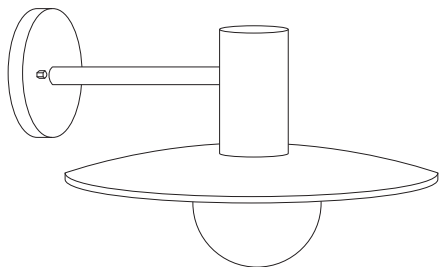
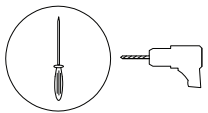





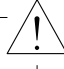
BARALIA






10'

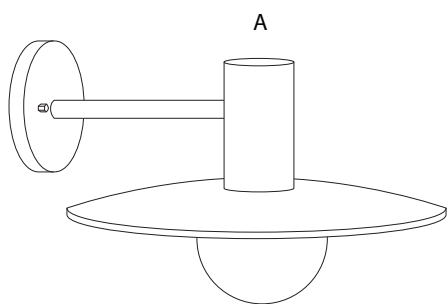





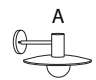
1

1/5

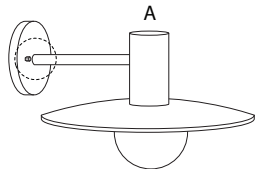
2332/BARALIA/220724/



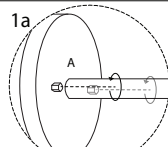
1



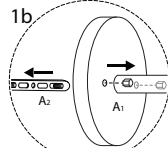
A
x 1

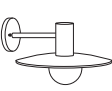





1a




1b


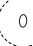


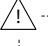

A	B	C	D
			
x 1	x 2	x 2	x 2

2



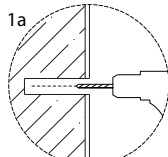
C
x 2

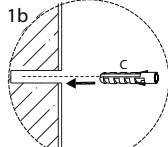



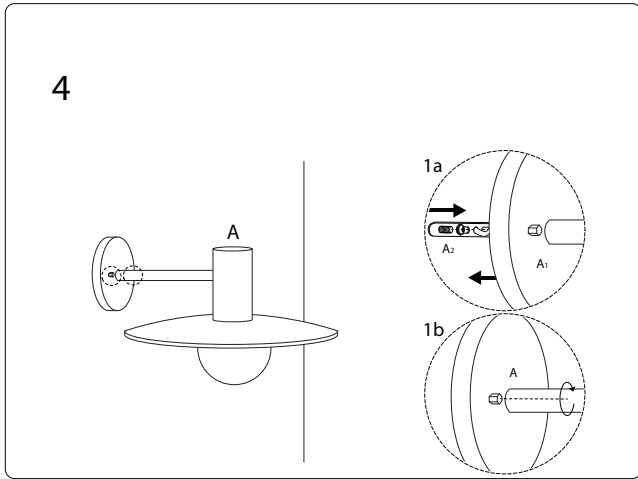
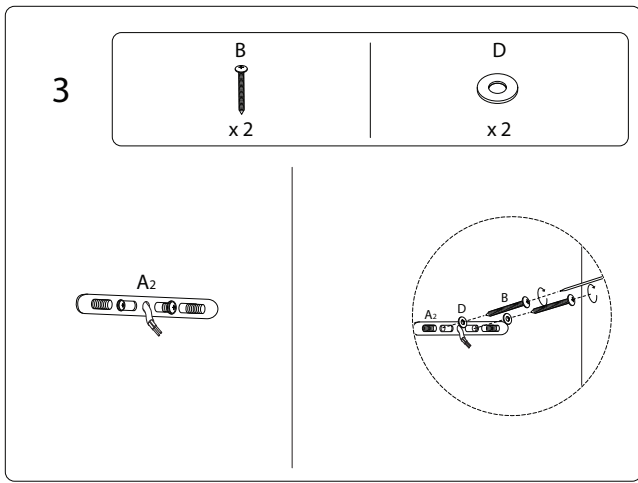
OFF

1a



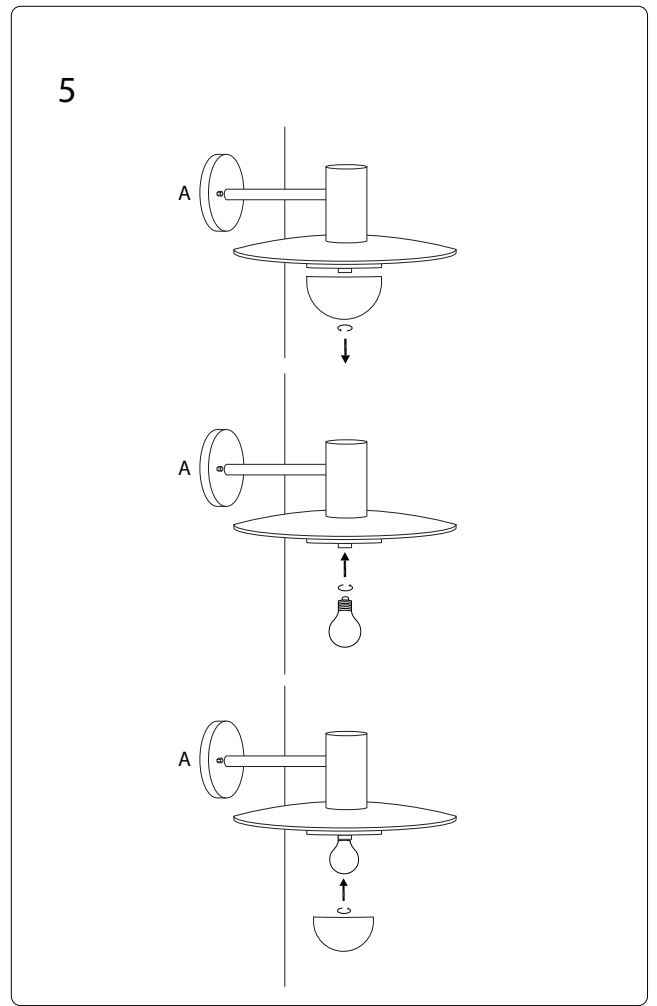
1b





4/5

2332/BRALLIA/220724/



5/5

2332/BRALLIA/220724/