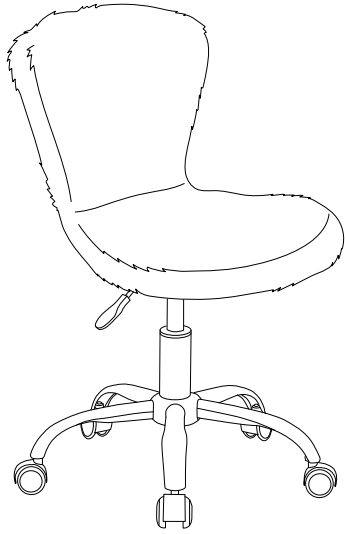


MARGATE



15'

1

1/5

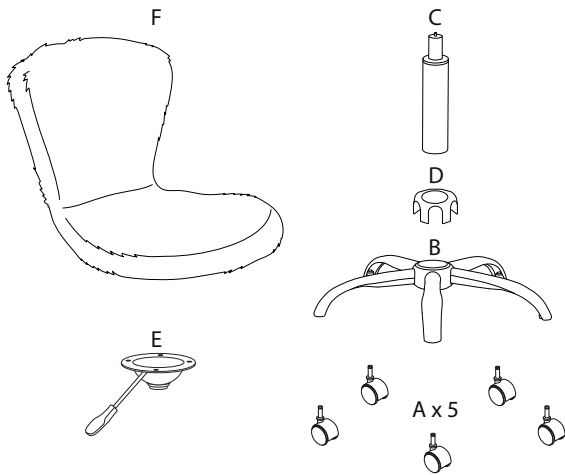
1953/MARGATE/020226/

A	B	C	D
x 5	x 1	x 1	x 1

!

C

1a

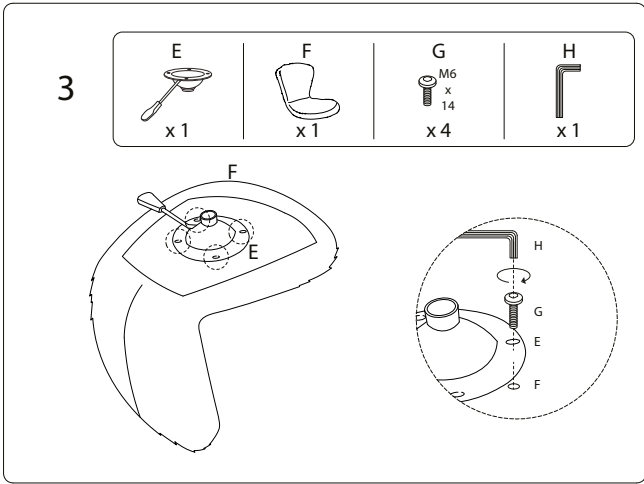
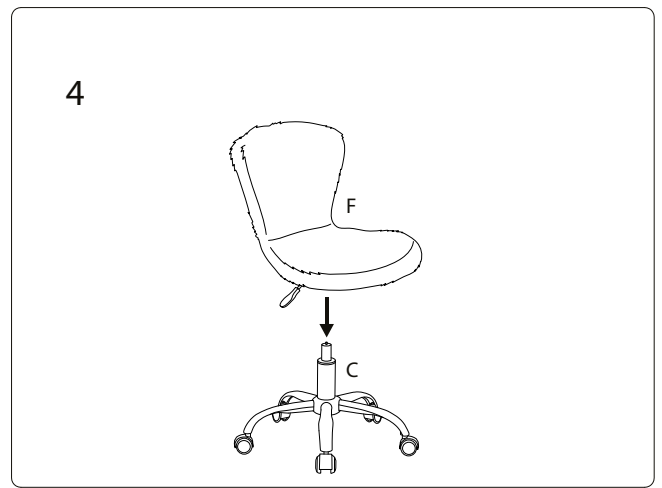
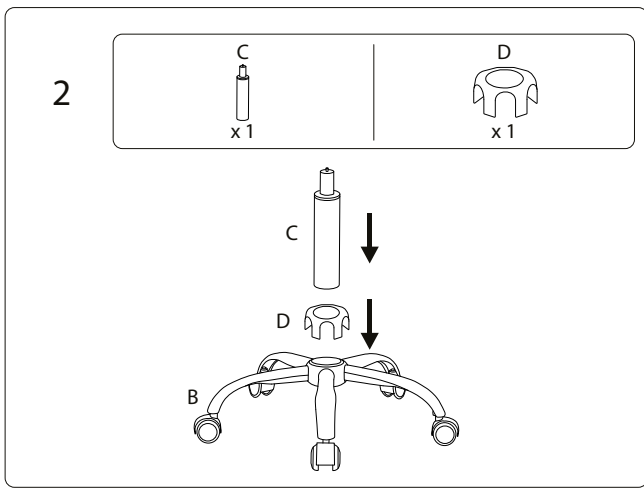


E	F	G	H
x 1	x 1	x 4	x 1

1

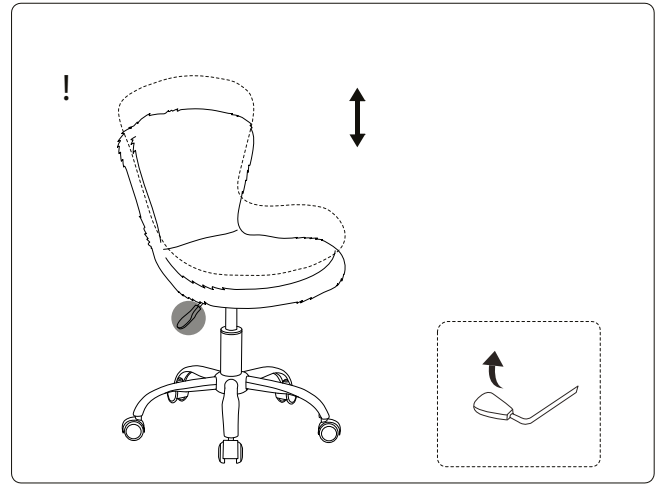
B
x 1

A
x 5



4/5

1953/MARGATE/020226/



5/5

1953/MARGATE/020226/