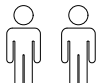
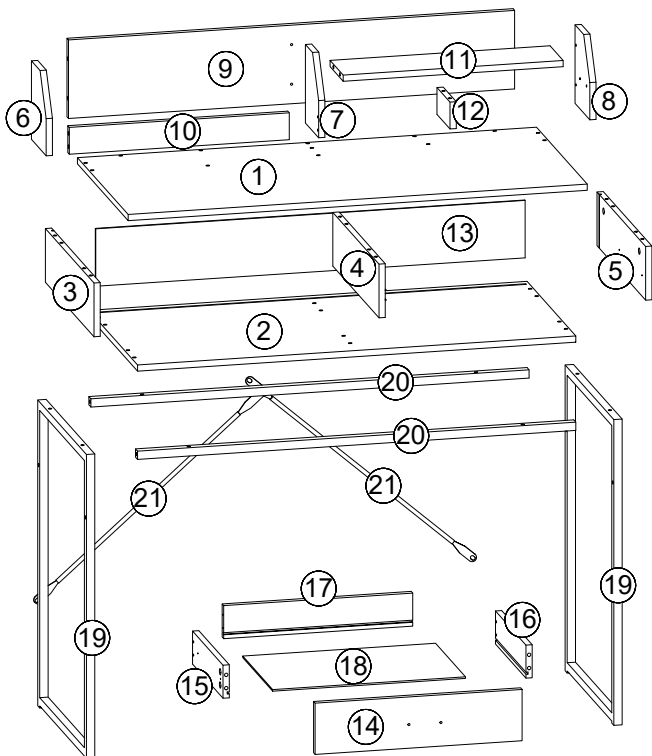


90'

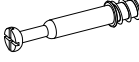


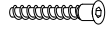



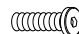







2

1/15

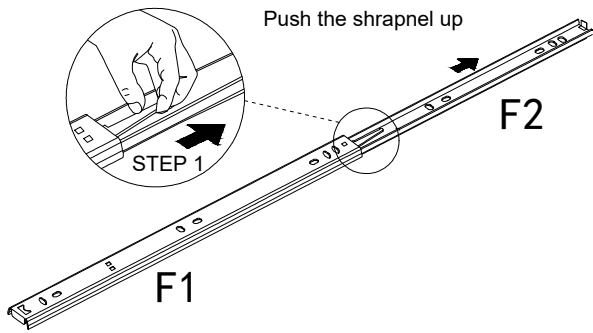


2/15

<b>A</b>	x 24	<b>B</b>	x 24	<b>C</b>	x 17
					
$\phi 6 \times 35\text{mm}$		$\phi 15 \times 12\text{mm}$		$\phi 8 \times 30\text{mm}$	
<b>D</b>	x 16	<b>E</b>	x 8	<b>F</b>	x 2
					
$\phi 7 \times 40\text{mm}$		M3.5 x 14mm			
<b>G</b>	x 3	<b>H</b>	x 8	<b>I</b>	x 4
					
M6 x 12mm		M6 x 30mm		M6 x 40mm	
<b>J</b>	x 1	<b>K</b>	x 1	<b>L</b>	x 2
					
M4				M4 x 18mm	
<b>M</b>	x 4				
					
M4 x 35mm					

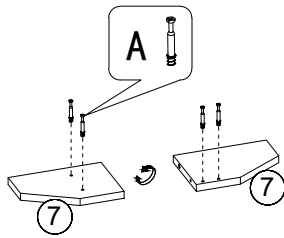
3/15

1



F	x 2

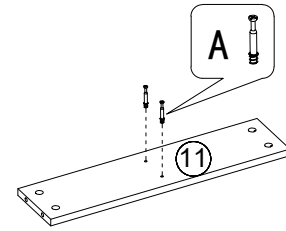
2



A	x 4
φ6x35mm	

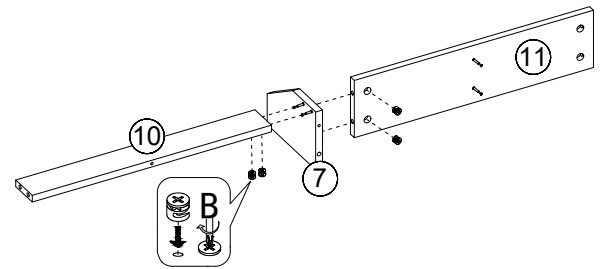
4/15

3



A	x 2
φ6x35mm	

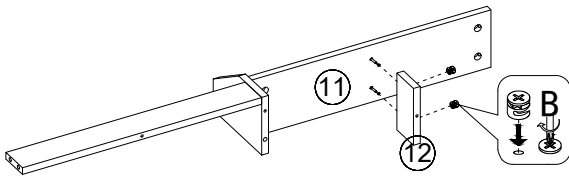
4



B	x 4
φ15x12mm	

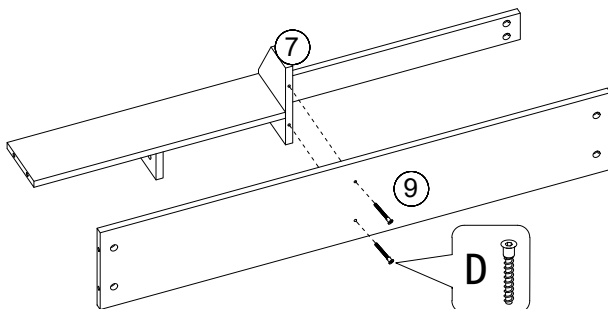
5/15

5



B	x 2
φ15x12mm	

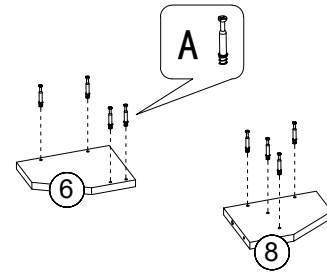
6



D	x 2	J	x 1
φ7 x 40mm		M4	

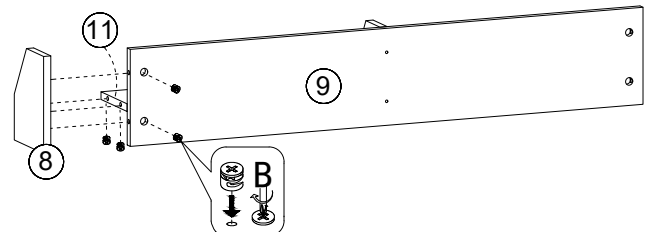
6/15

7



A	x 8
φ6x35mm	

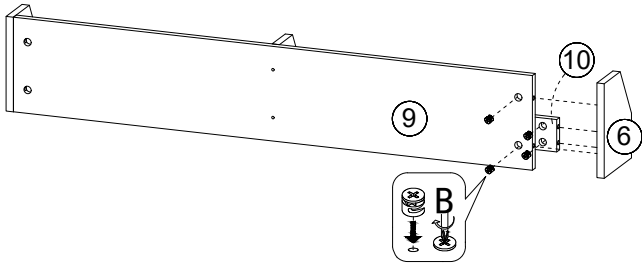
8




B	x 4
φ15x12mm	

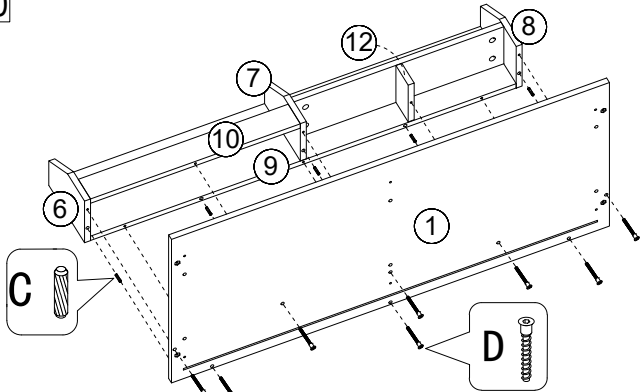
7/15




9



B	x 4
	
ø15x12mm	

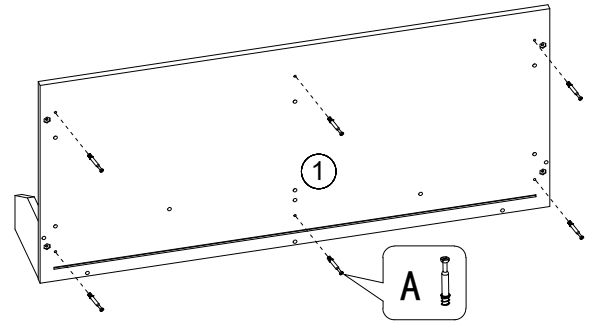
10

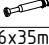


C	x 5	D	x 8	J	x 1
					
ø8x30mm		ø7 x 40mm		M4	

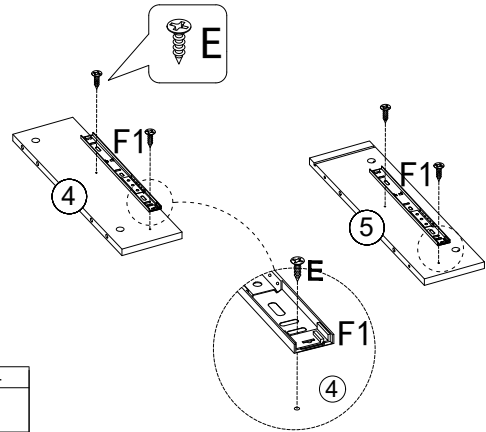
8/15

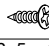
11



A	x 6
	
ø6x35mm	

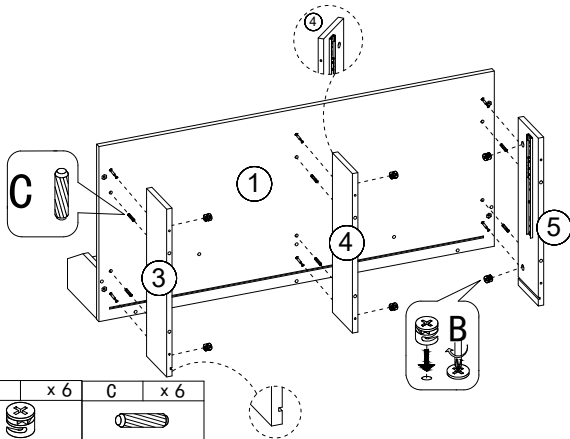
12


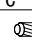


E	x 4
	
ø3.5 x 14mm	

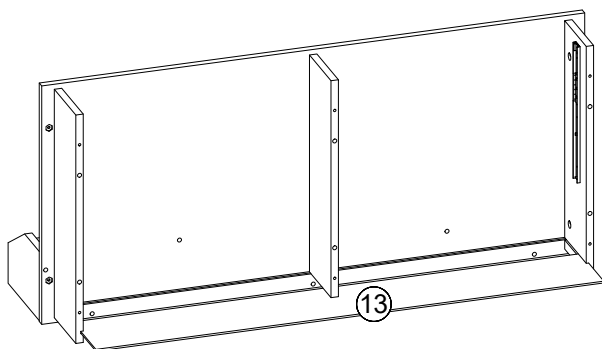
9/15

13



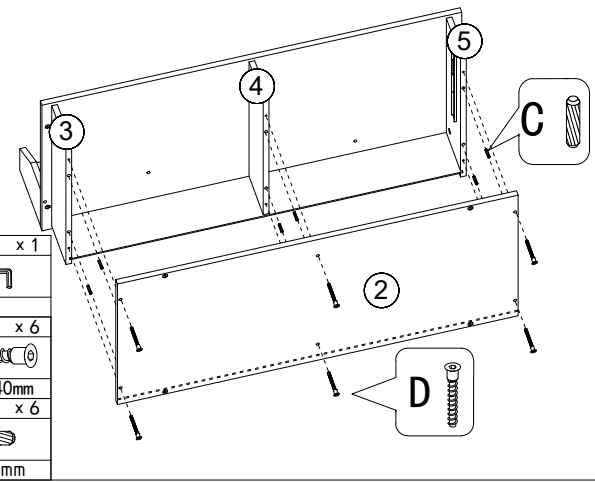
B	x 6	C	x 6
			
ø15 x 12mm		ø8 x 30mm	


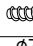
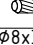
14



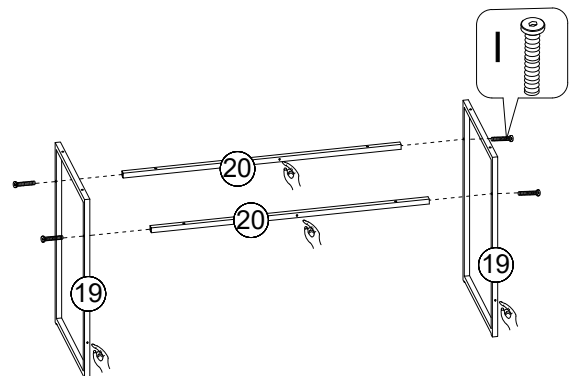
10/15



15



J	x 1
	
M4	
D	x 6
	
ø7 x 40mm	
C	x 6
	
ø8x30mm	

16

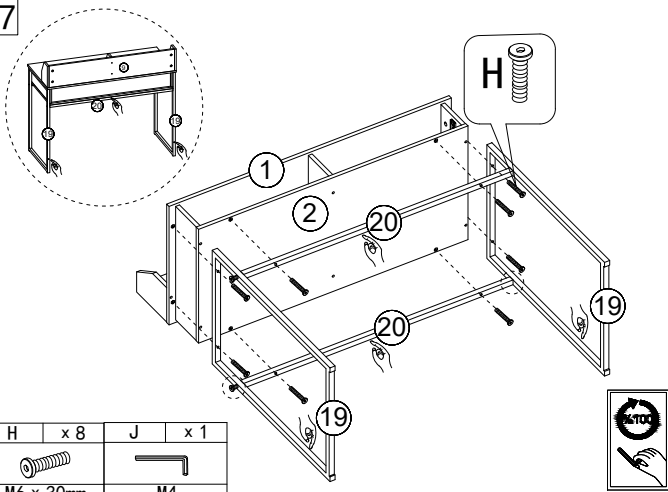


I	x 4	J	x 1
			
M6 x 40mm		M4	

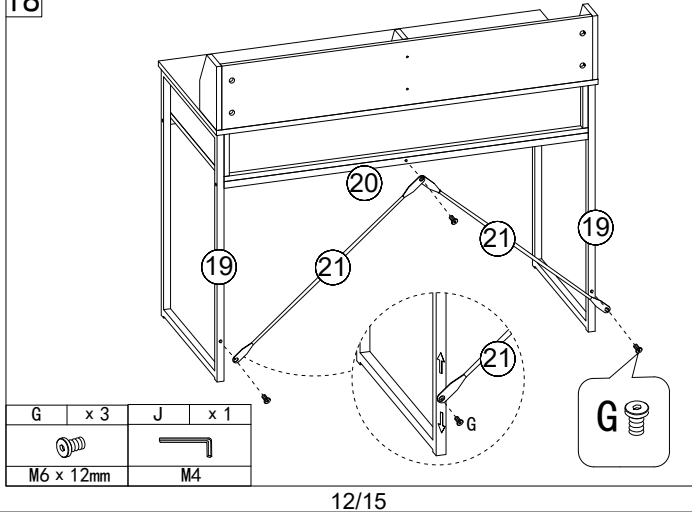
11/15



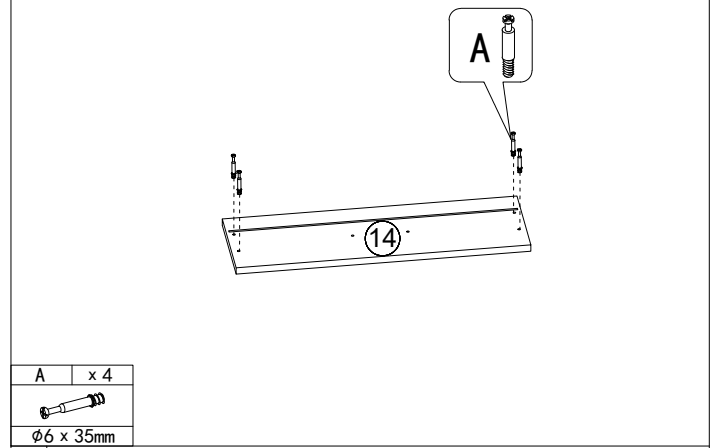
17



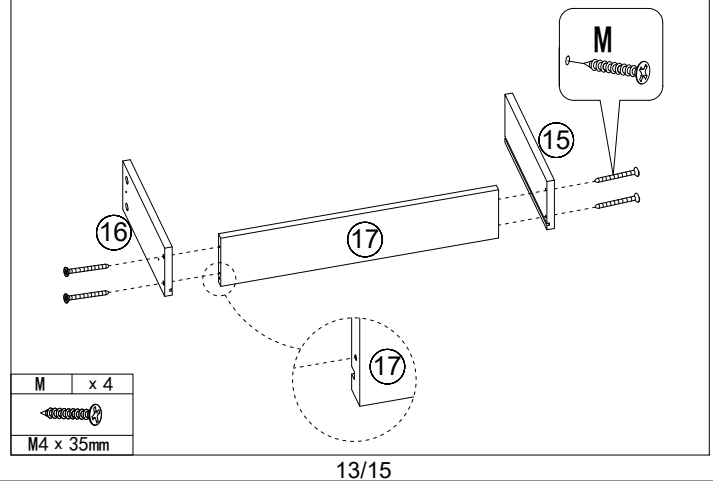
18



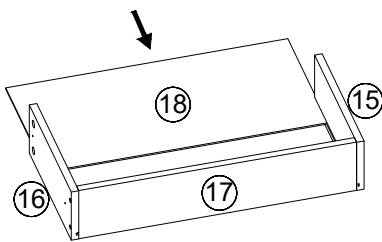
19



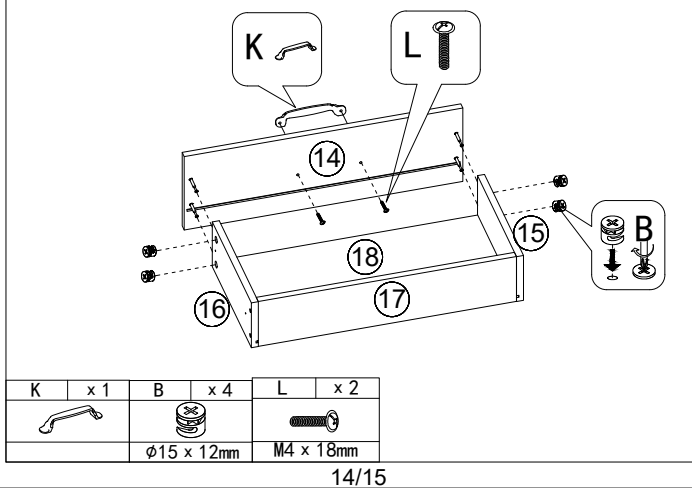
20



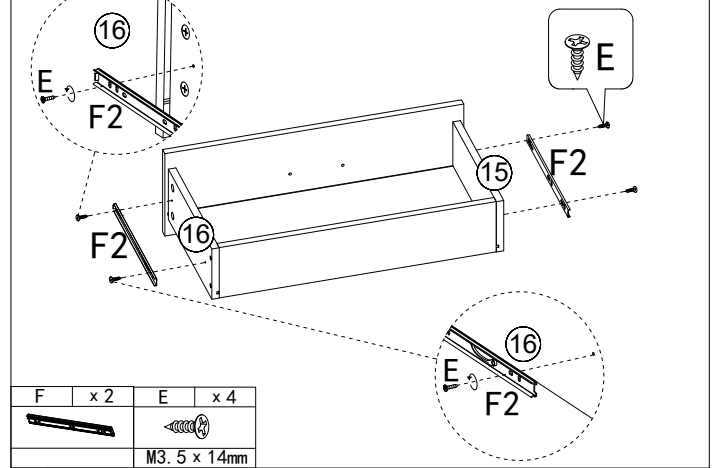
21



22



23



24

