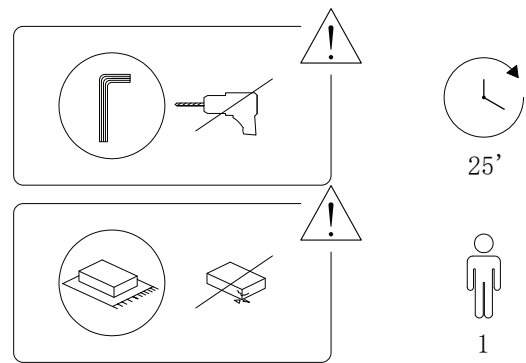
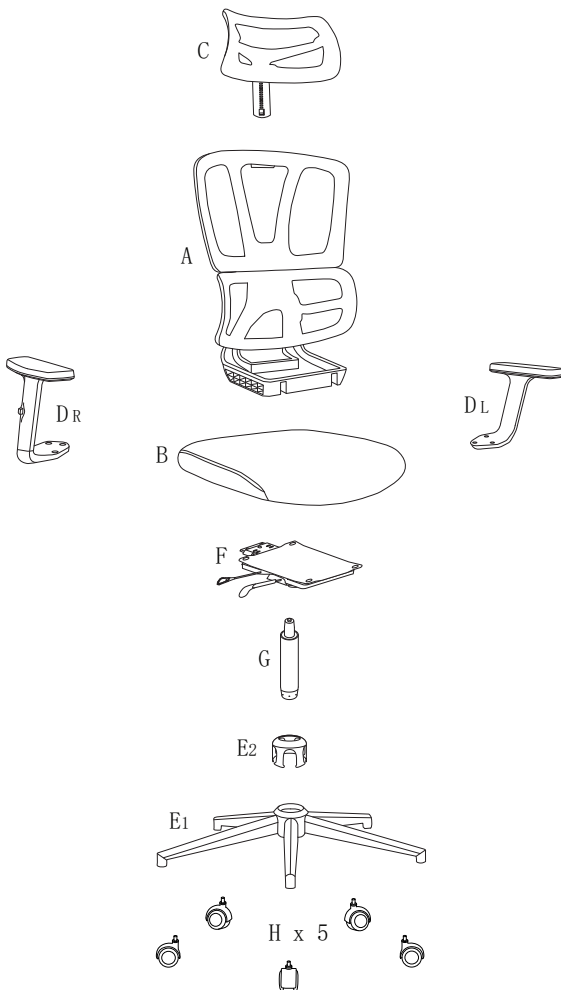


# OMEGA



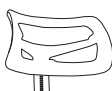


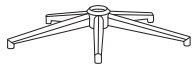







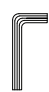


1/10

2537/OMEGA/220925/



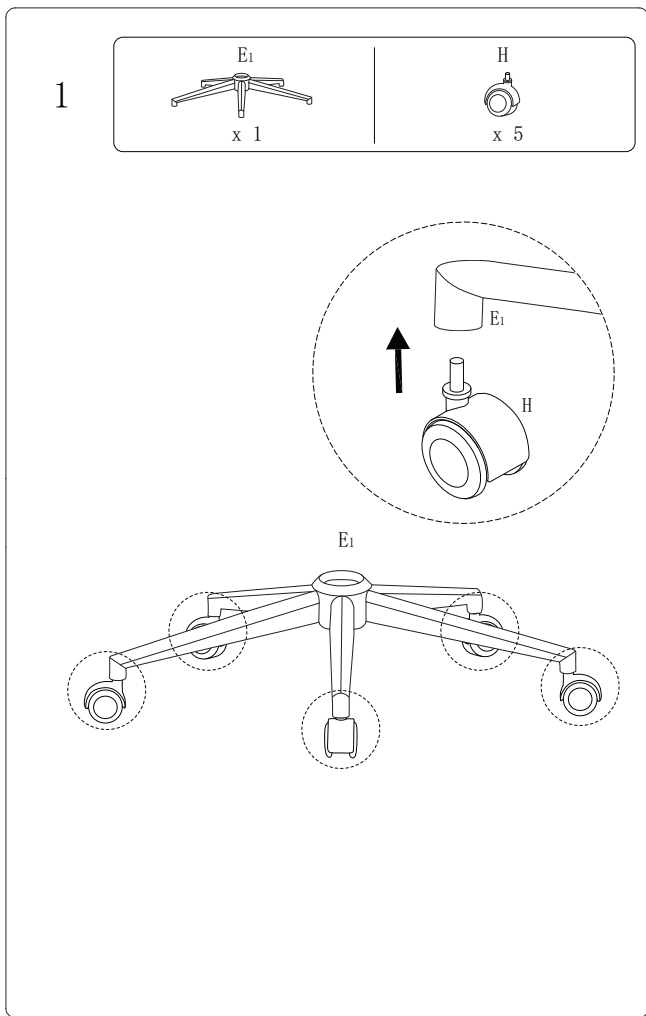
2/10

A  x 1		B  x 1		
C  x 1		DR  x 1		
DL  x 1	E1  x 1	E2  x 1		
F  x 1	G  x 1	H  x 5		
I  x 20 x 4	J  x 30 x 6	K  x 25 x 3	L  x 1	

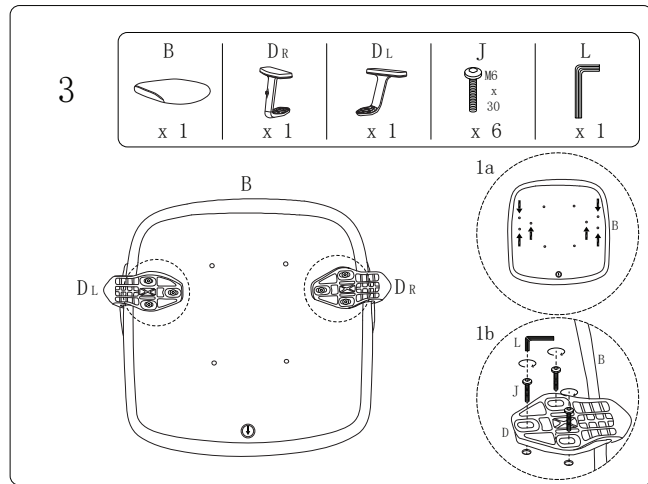
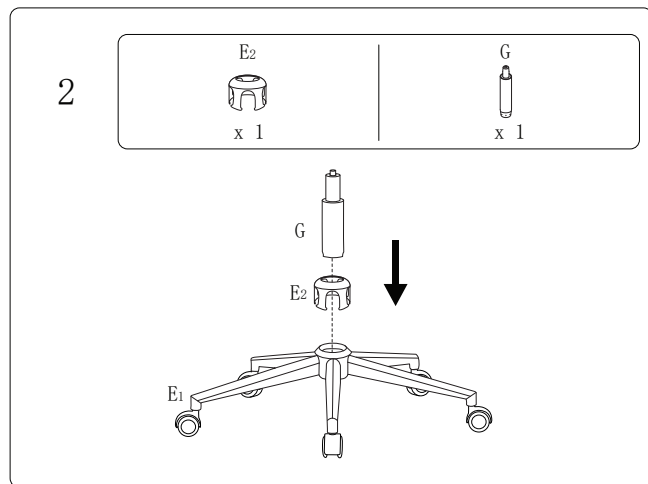
3/10

2537/OMEGA/220925/

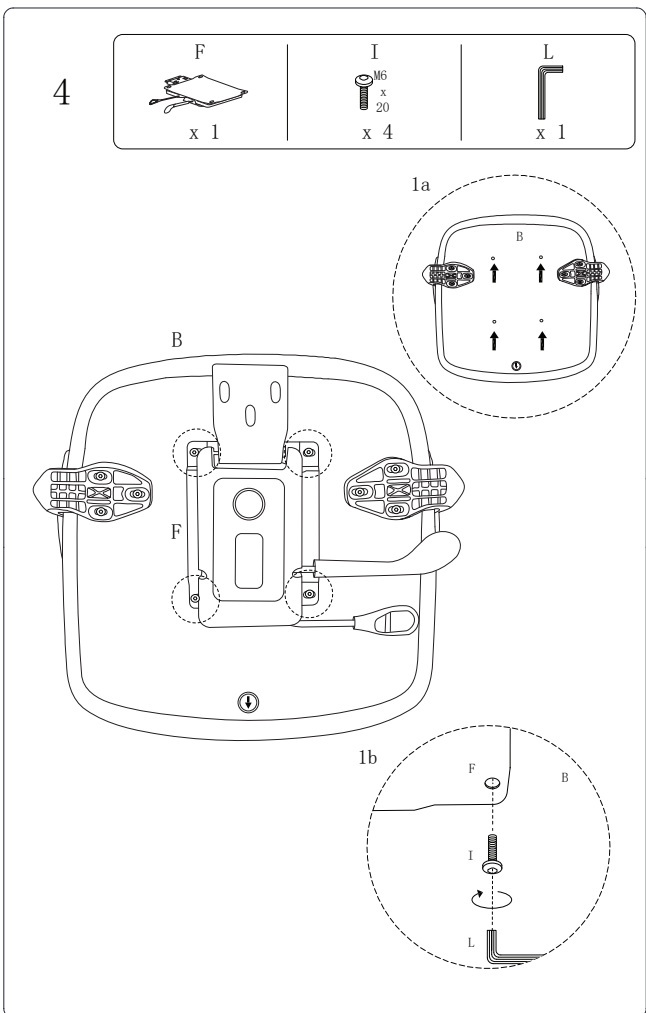
2537/OMEGA/220925/



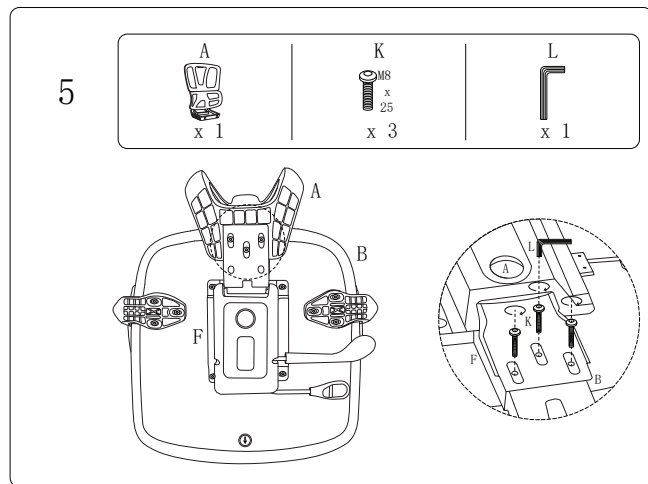
2537/IMEGA/220925/



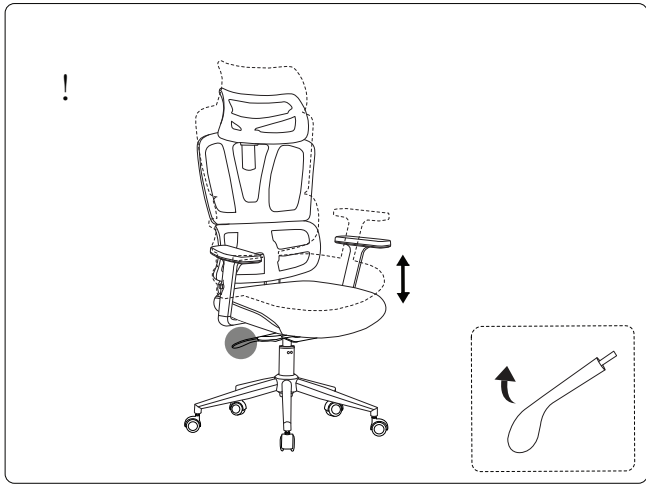
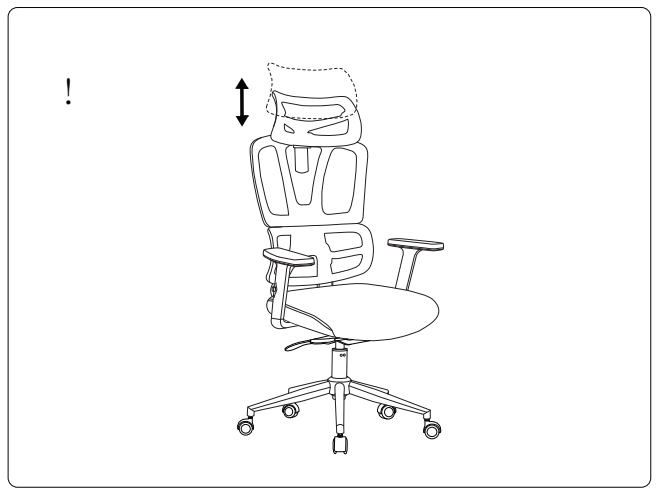
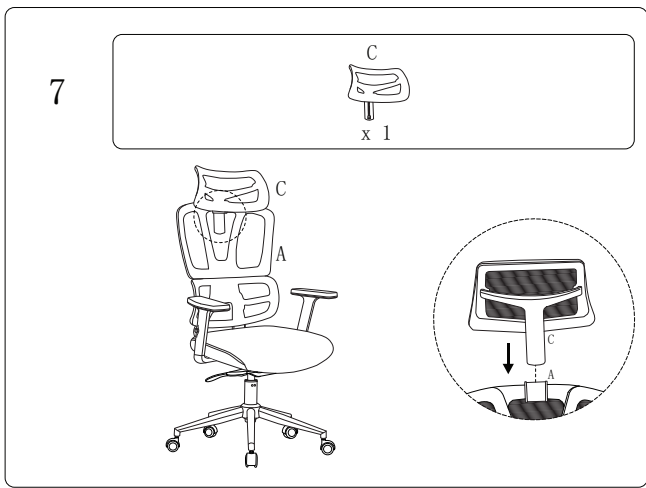
2537/IMEGA/220925/



2537/IMEGA/220925/

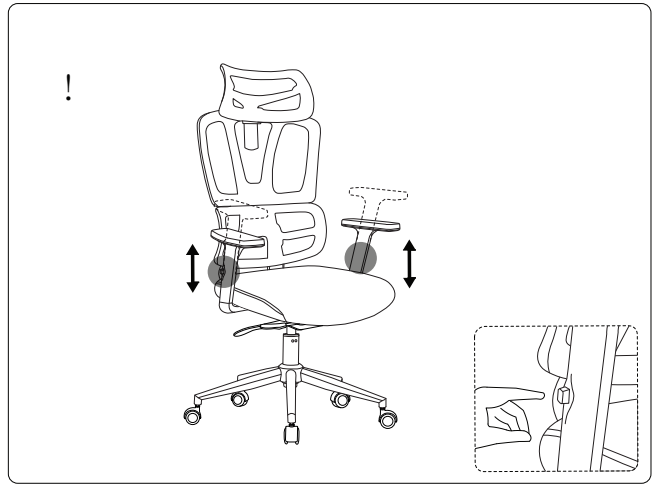


2537/IMEGA/220925/



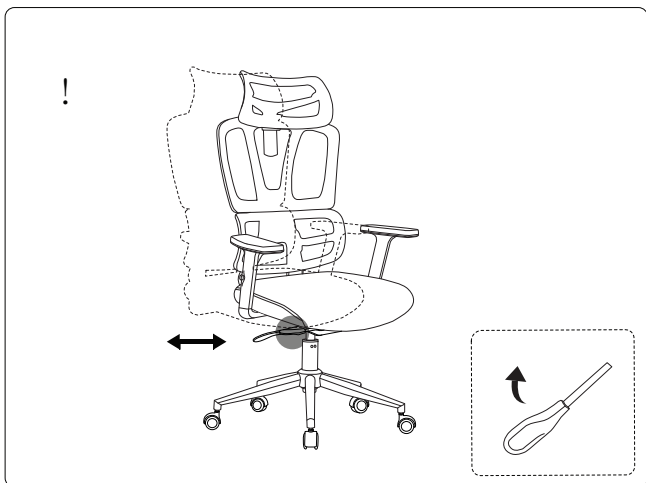
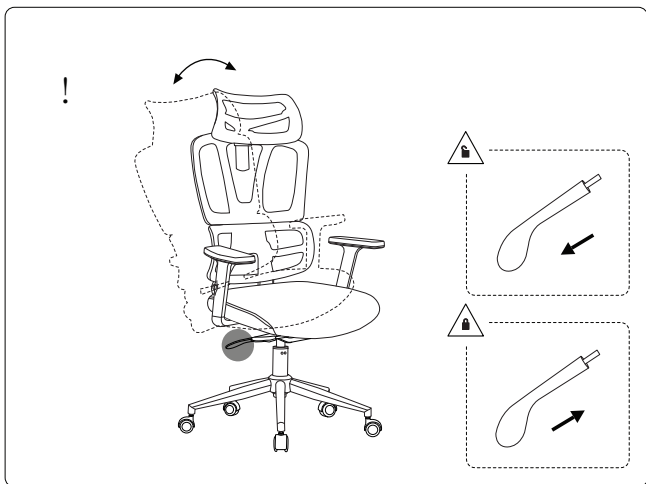
8/10

2537/MBGA/220925/



9/10

2537/MBGA/220925/



10/10

2537/MBGA/220925/