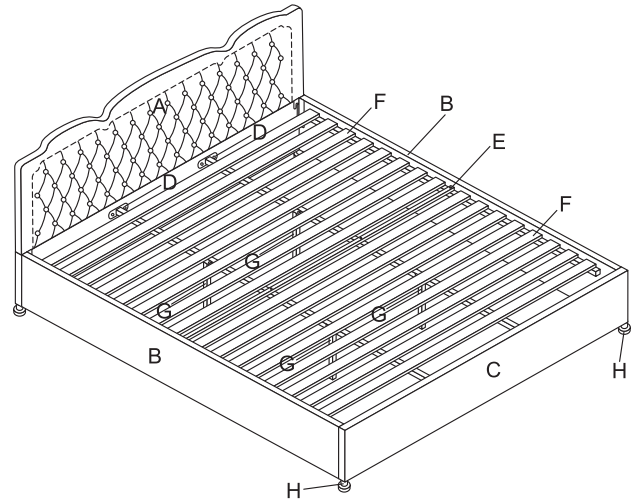


Bed Frame  
Assembly Instructions



Dear Customers,

Thank you for purchasing our product. Please read this instruction manual carefully after receiving this product. It will help you assemble this product quickly, safely and correctly. You can keep this manual for future reference.  
MADE IN CHINA

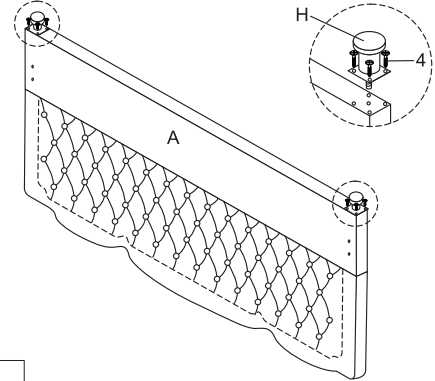


Notice: Do not tighten the screws too tightly at the beginning of the assembly. After each hole position is matched well, with gently force to screw, if there is no problem, then tighten all the screws.

PARTS LIST

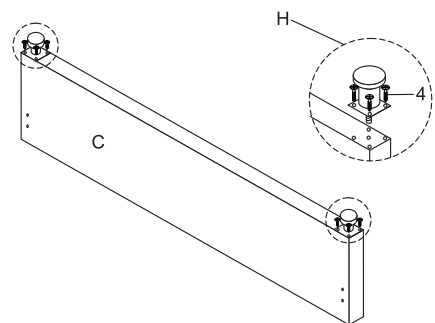
A x 1PC 	B x 2PCS 	C x 1PC 	D x 2PCS 	
E x 1PC 	F x 2PCS 	G x 4PCS 	H x 4PCS 	
1 x 16PCS 	2 x 8PCS 	3 x 4PCS 	4 x 16PCS 	5 x 1PC 

1



4 M4x15 x8PCS

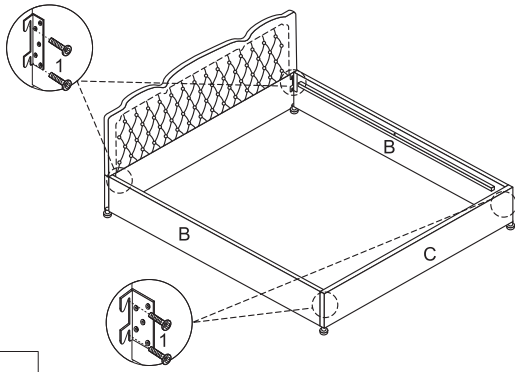
2




4 M4x15 x8PCS

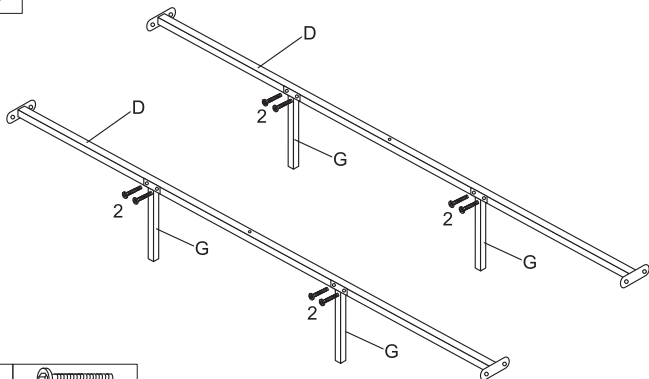
ASSEMBLY INSTRUCTIONS


3



1  M8x20 x8PCS

4

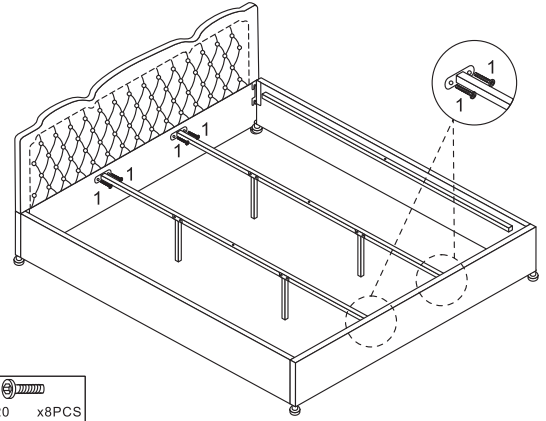



2  M8x40 x8PCS

5/7

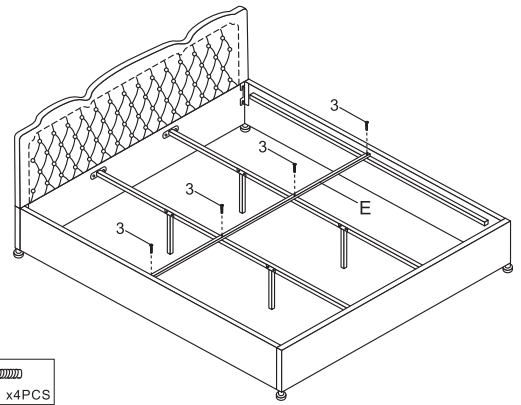
ASSEMBLY INSTRUCTIONS


5



1  M8x20 x8PCS

6

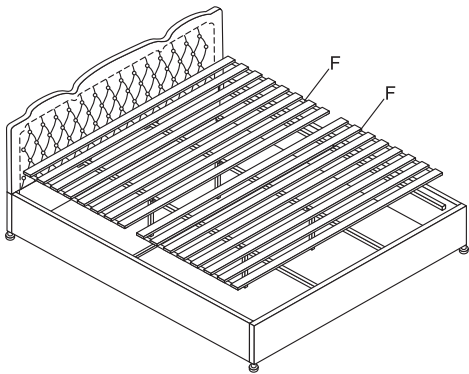


3  M8x30 x4PCS

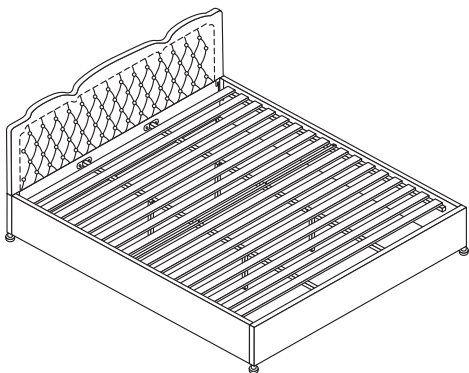
6/7

ASSEMBLY INSTRUCTIONS

7



8



7/7