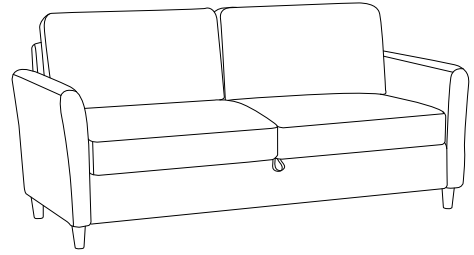
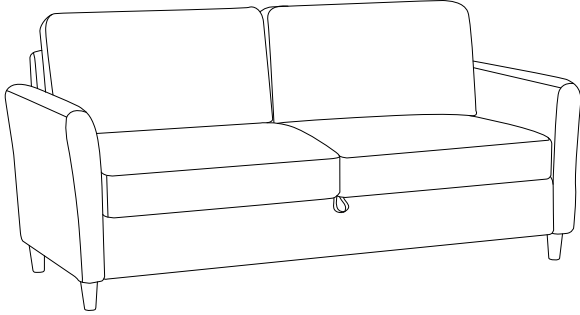


MARE



10'

2

1/6

2117/MARE/280524/

A	B	C	D
x 1	x 1	x 1	x 1

!

!

E x 2

C

B

D

C

A

D

F

F

F

F

E	F	G	H
x 2	x 4	x 4	x 4

