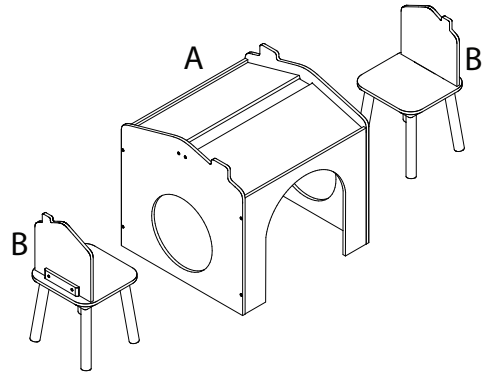
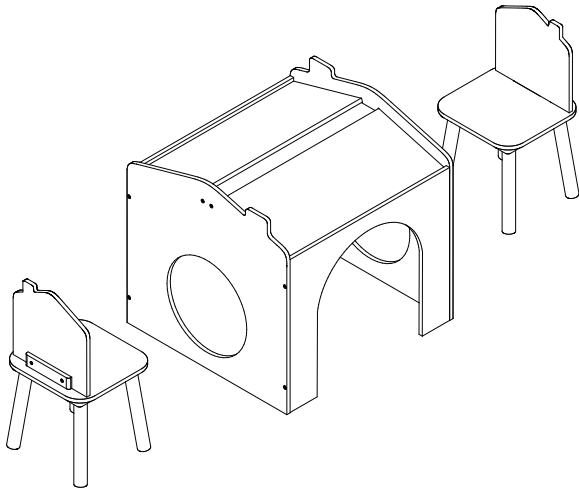
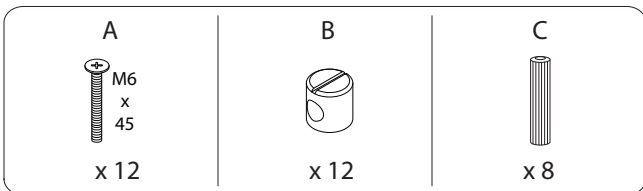
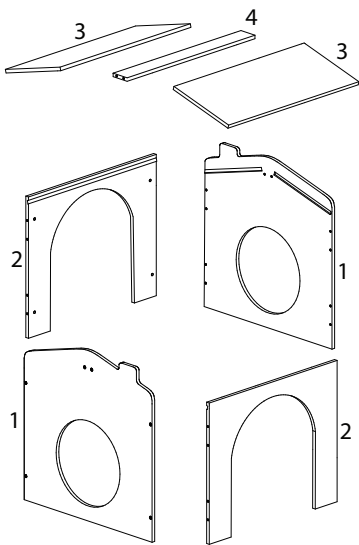
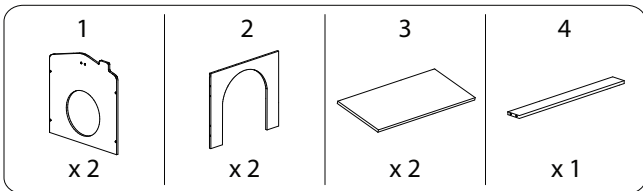


# LACKEY

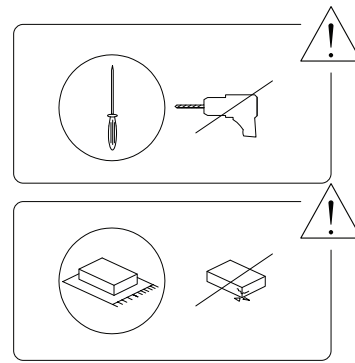


1/9

A

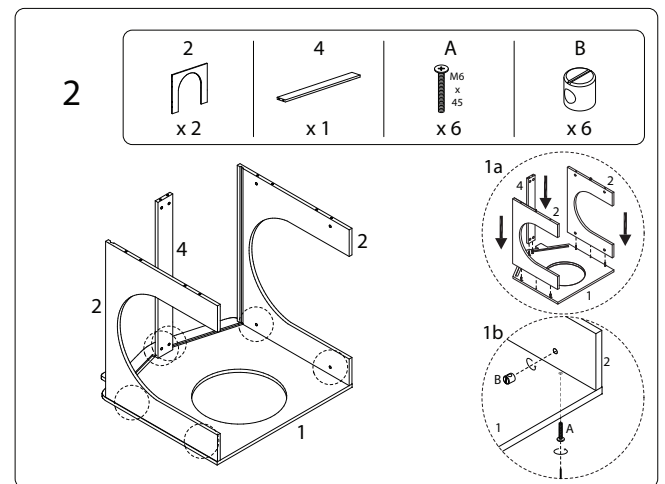
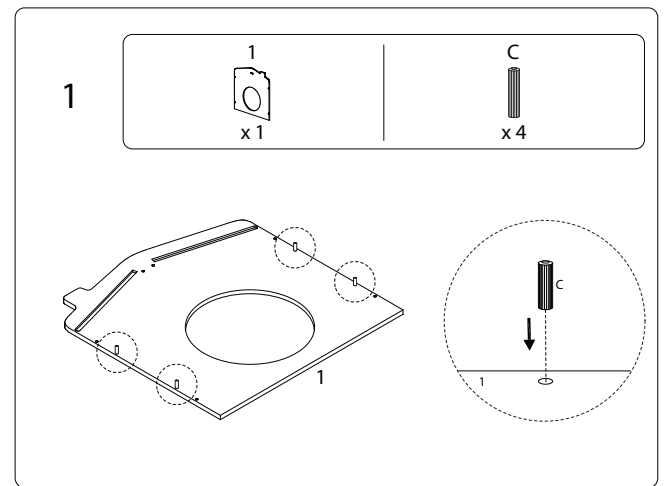


3/9



2/9

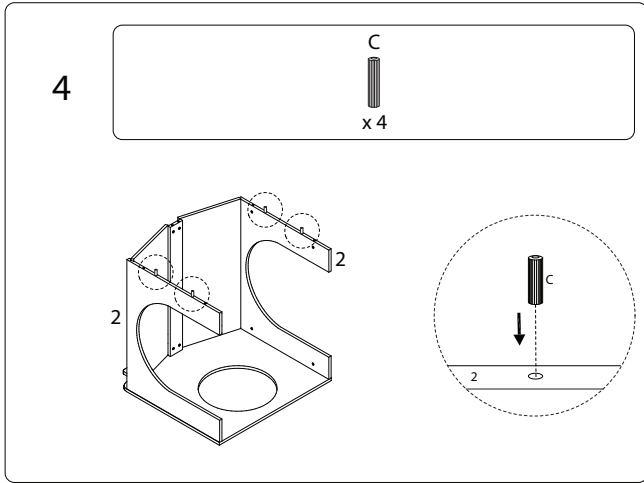
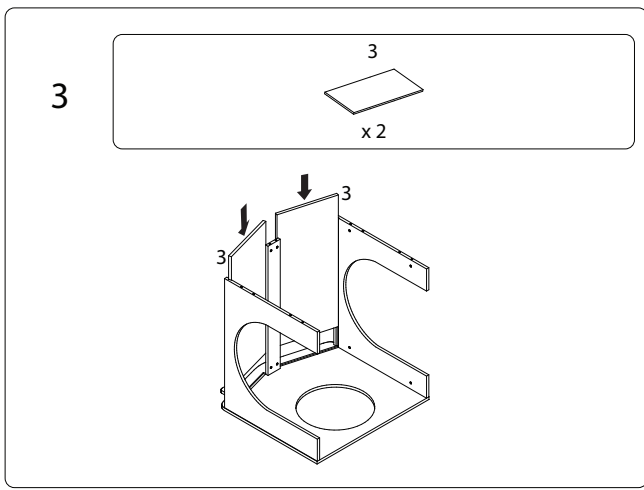
1658/LACKEY/0402/26/



4/9

1658/LACKEY/0402/26/

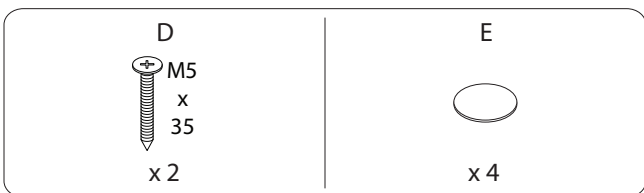
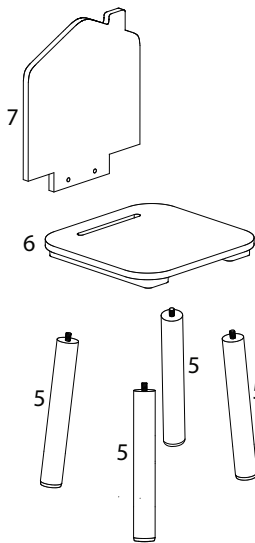
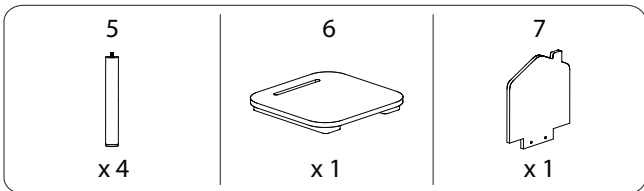
1658/LACKEY/0402/26/



5/9

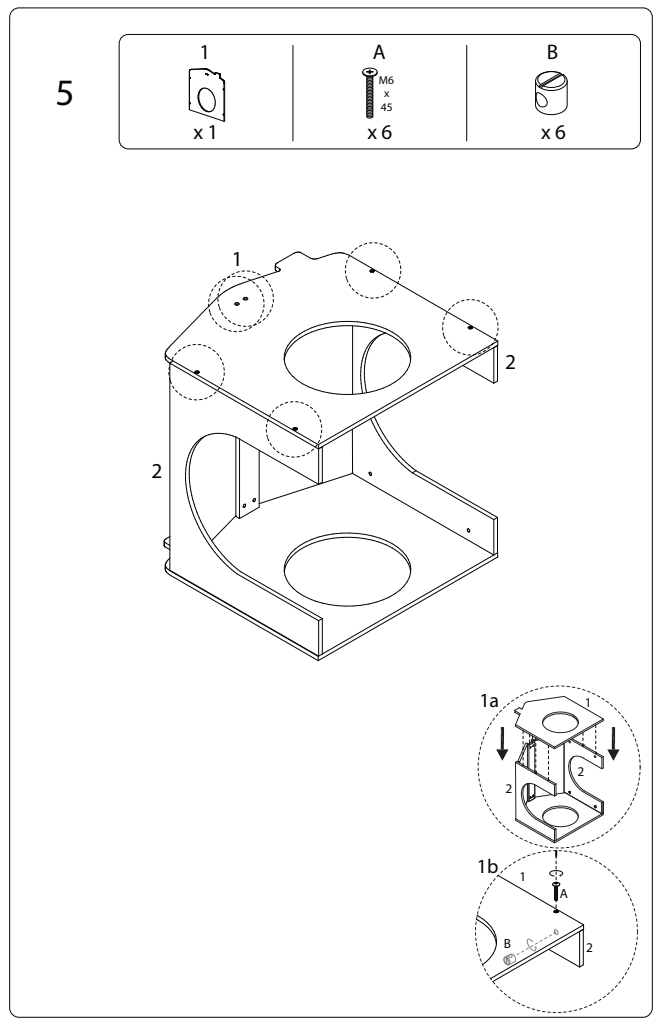
1658/LACKEY/040226/

B x 2



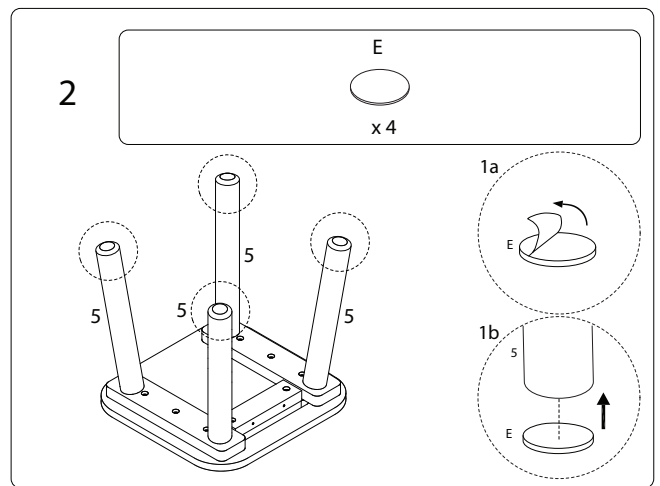
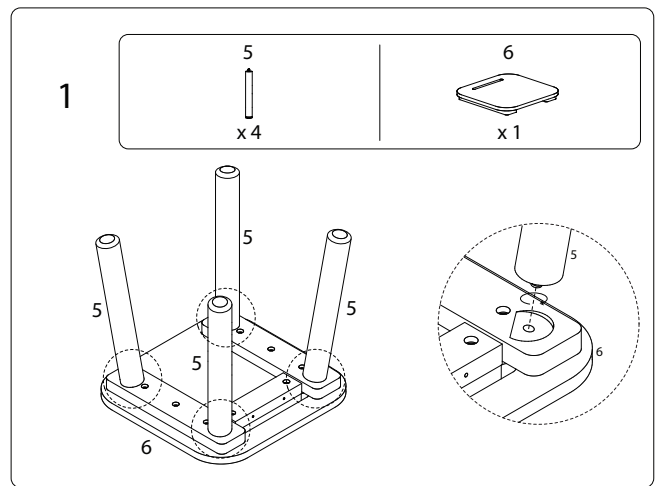
7/9

1658/LACKEY/040226/



6/9

1658/LACKEY/040226/

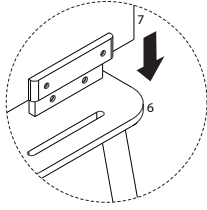
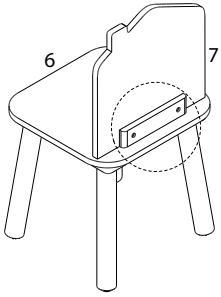


8/9

1658/LACKEY/040226/

3

7  
x 1



4

A  
M4  
x  
35  
x 2

