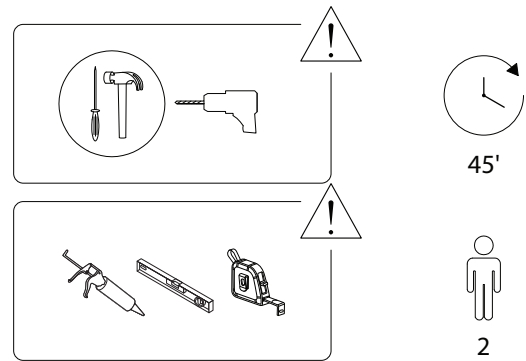
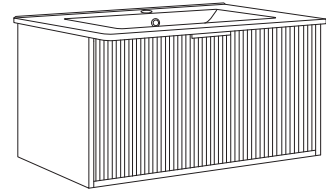
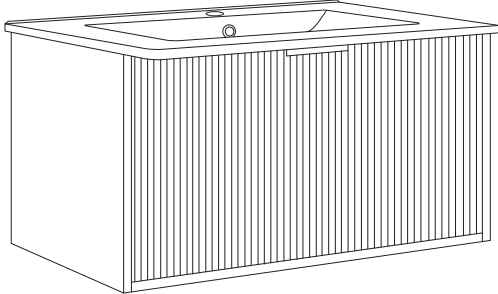
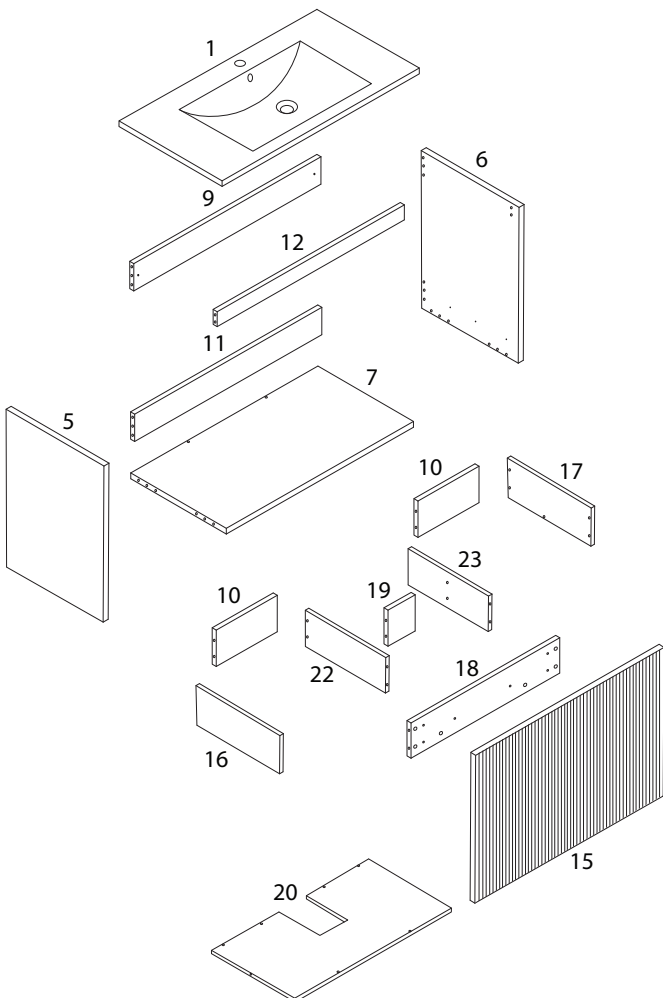


TILCARA



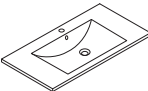
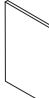

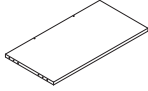
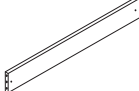
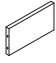
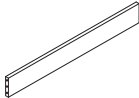
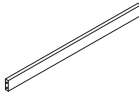
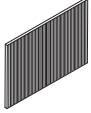
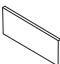
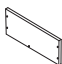
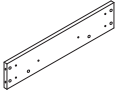

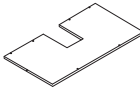
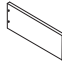
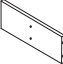
1/15

2353/TILCARA/2708/25/






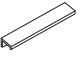
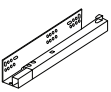
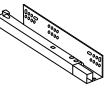



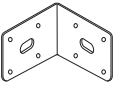
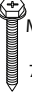

2/15

2353/TILCARA/2708/25/

 x 1	 x 1	 x 1	
 x 1	 x 1	 x 2	
 x 1	 x 1	 x 1	
 x 1	 x 1	 x 1	
 x 1	 x 1	 x 1	 x 1

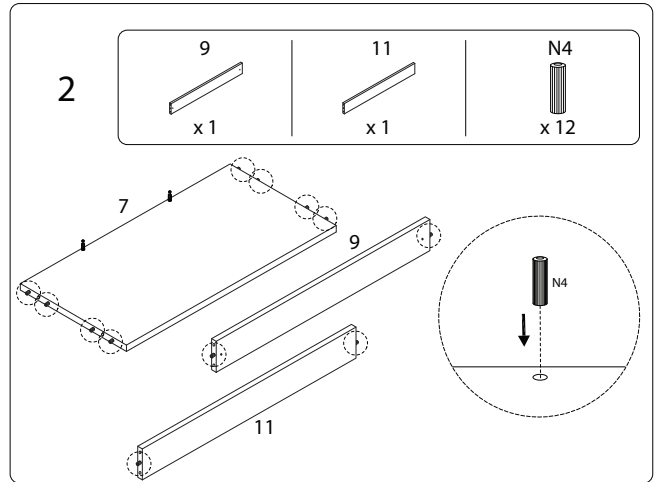
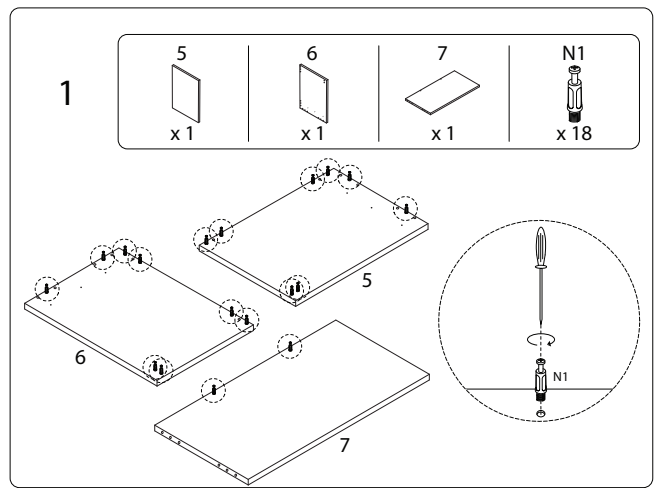
3/15

2353/TILCARA/2708/25/

N1  x 46	N2  x 46	N4  x 12
N5  x 1	N7L  x 1	N7R  x 1
N10  M4 x 14 x 26	N11  M4 x 25 x 4	N12  M6 x 25 x 2
N13A  x 2	N13B  M6 x 70 x 2	N13c  x 2

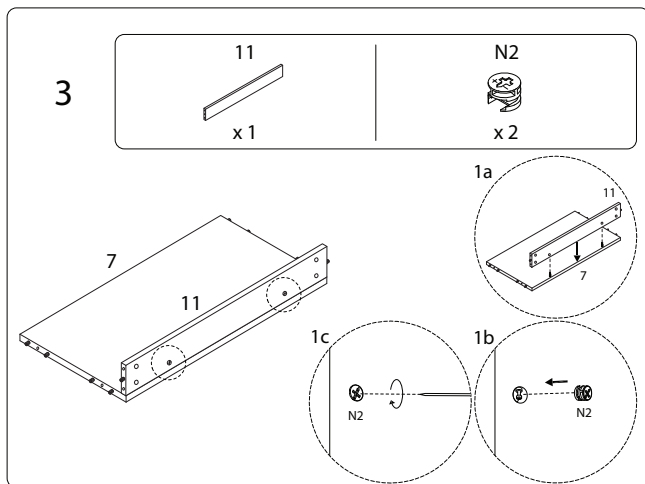
4/15

2353/TLCARRA/2708/25/



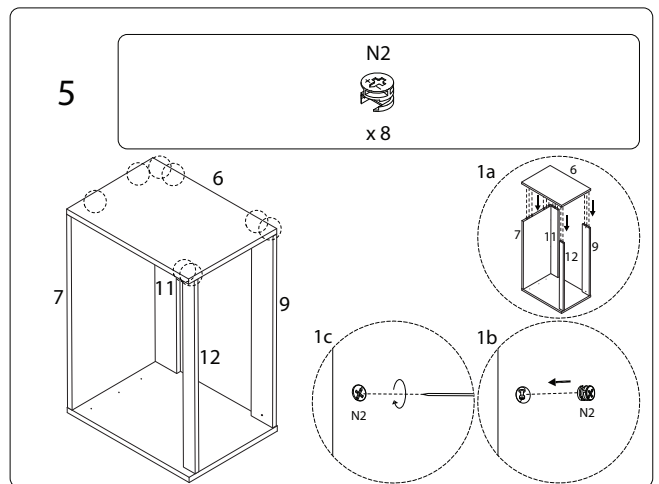
5/15

2353/TLCARRA/2708/25/



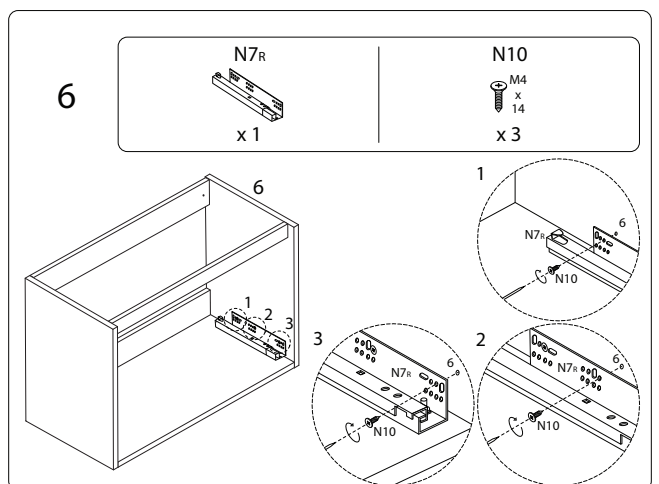
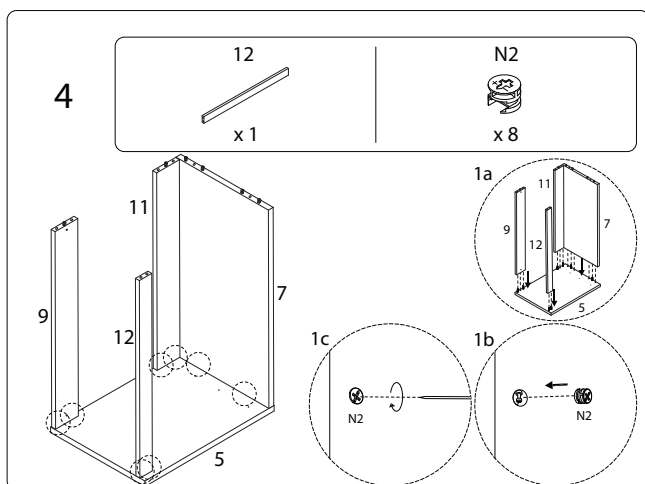
6/15

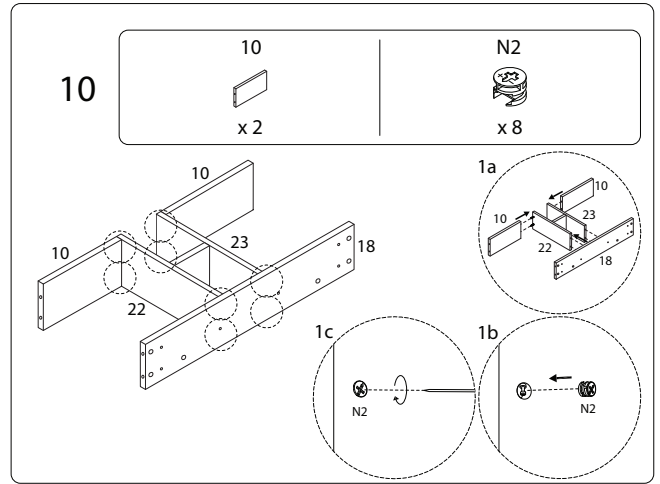
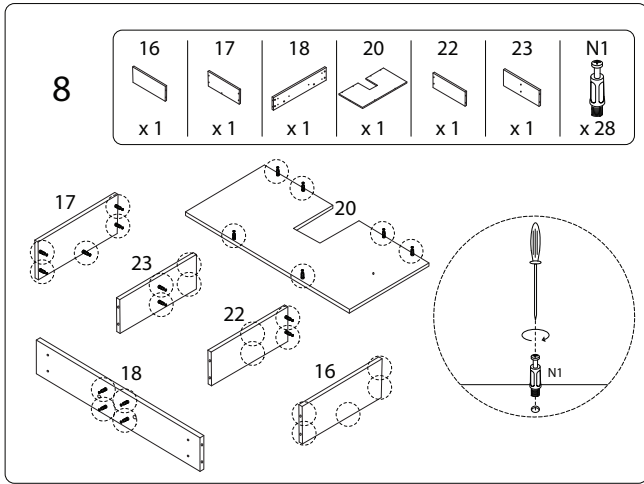
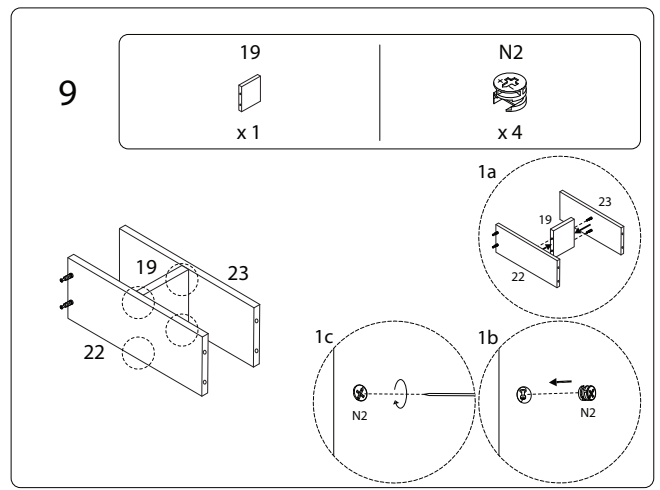
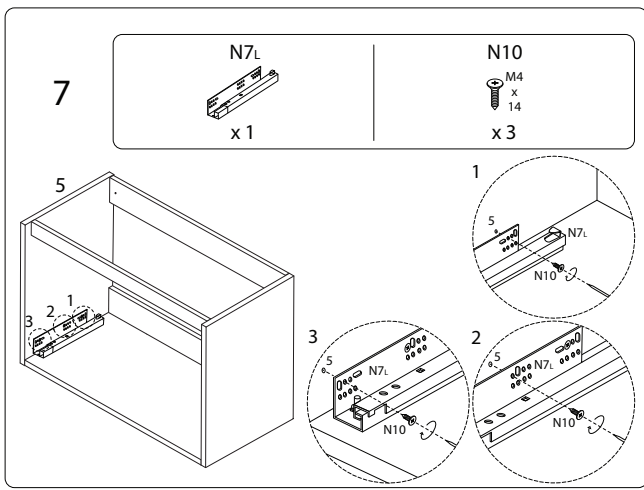
2353/TLCARRA/2708/25/



7/15

2353/TLCARRA/2708/25/



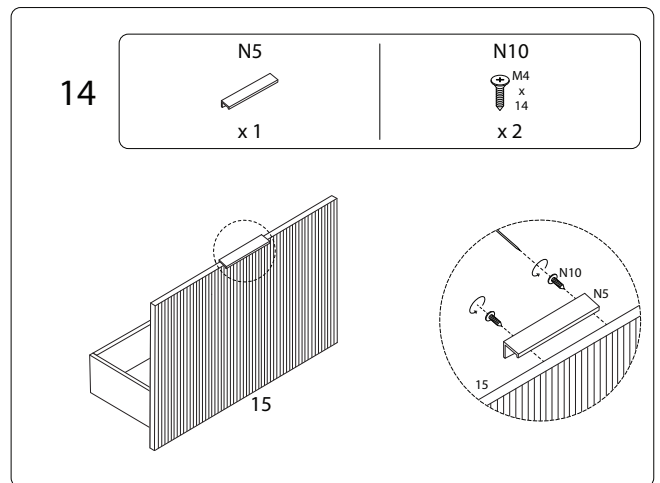
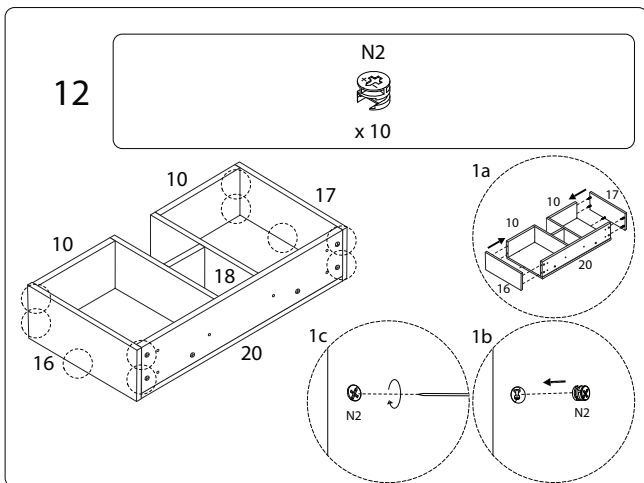
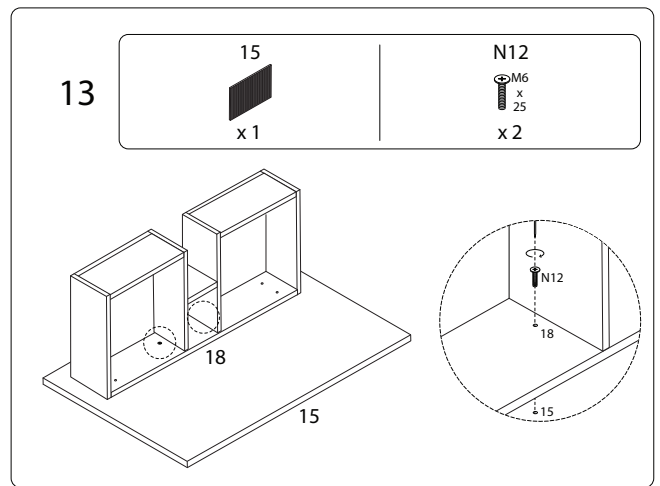
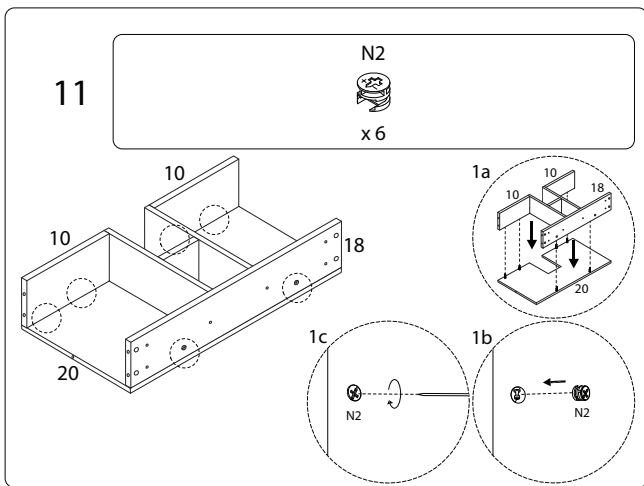


8/15

2553/TLCARRA/2708/25/

9/15

2553/TLCARRA/2708/25/



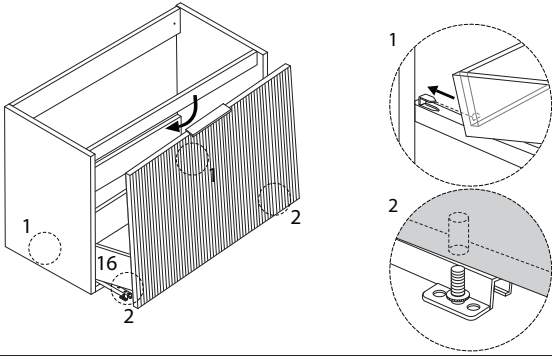
10/15

2553/TLCARRA/2708/25/

11/15

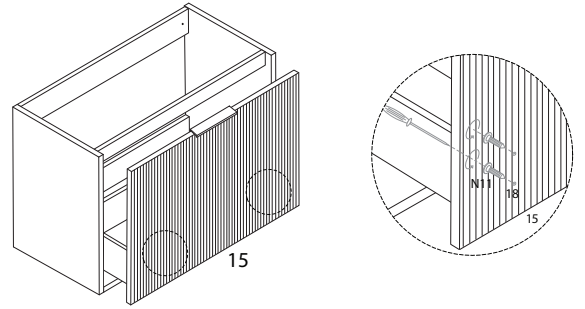
2553/TLCARRA/2708/25/

15



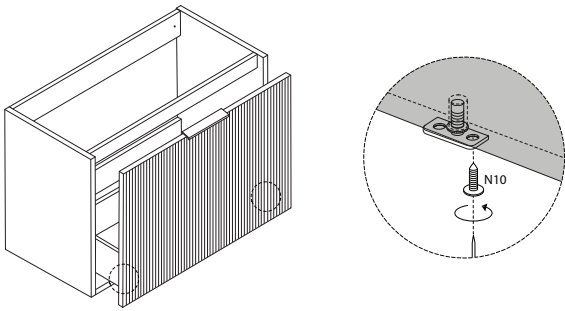
17

N11
M4
x 25
x 4



16

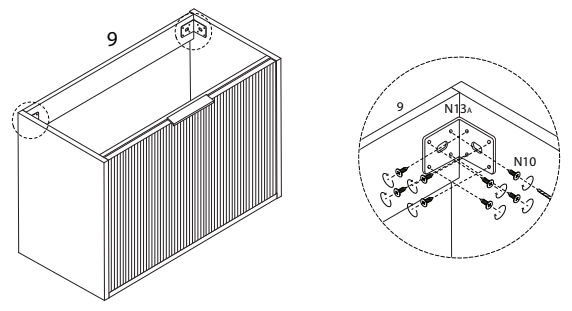
N10
M4
x 14
x 2



18

N10
M4
x 14
x 16

N13A
x 2



12/15

2353/TLCARRA/2708/25/

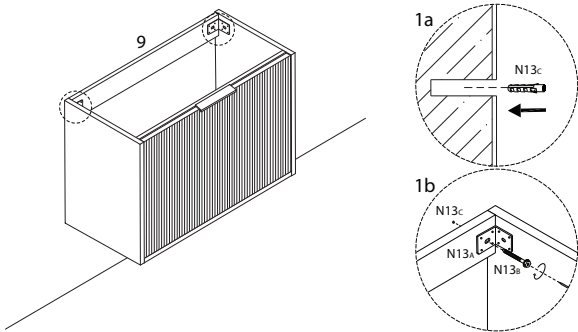
13/15

2353/TLCARRA/2708/25/

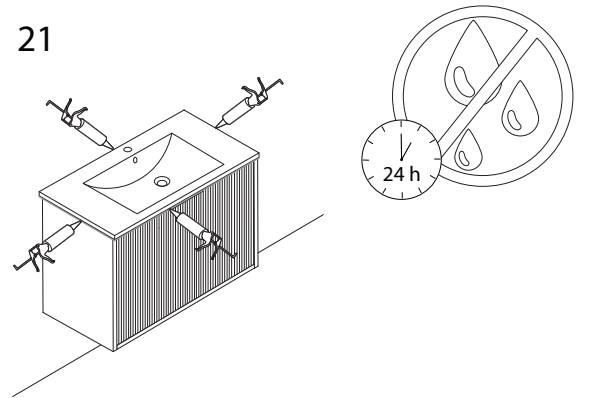
19

N13B
M6
x 70
x 2

N13c
x 2

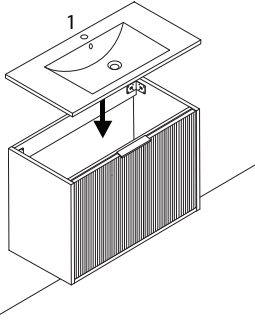


21

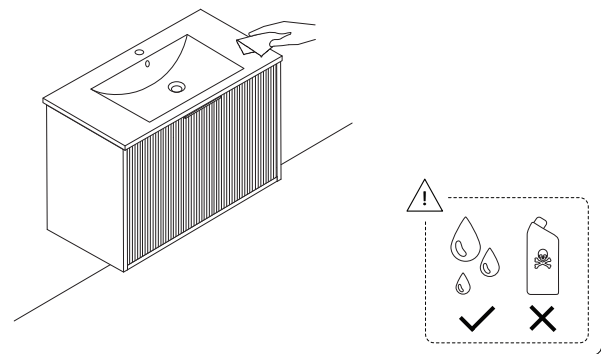


20

1
x 1



!



14/15

2353/TLCARRA/2708/25/

15/15

2353/TLCARRA/2708/25/