

WIGGO



INSTRUCTION MANUAL

GLASS CHIMNEY HOOD

- Safety Instructions
- Installation Instructions
- Operating the Product

Models

WE-A531G

WE-A532G

WE-A533G

User Manual

wiggo.eu

5 YEAR
WARRANTY

Big hello!



Join our community!

Thank you for allowing us to cook with you & be part of your warm kitchen. We are tremendously happy to have you within our Wiggo community and cannot wait to bring more positivity to your place.

Get creative and take a selfie with your new cooking buddy to win amazing prizes with us.

Don't forget to tag us! @wiggo_eu

To fresh meals!

**Get all the
support you
need!**



SCAN ME TO
**Get the most updated version of
this manual!**

wiggo.eu/support/downloads/



SCAN ME TO
Register your product!

wiggo.eu/support/register/



SCAN ME TO
Read the warranty conditions!

docs.wiggo.eu/books/mzsp/



SCAN ME TO
Fill out the service request form!

wiggo.eu/support/services/service-request-form/



SCAN ME TO
Fill out the parts request form!

wiggo.eu/support/services/part-request-form/

OUR SERVICES

Fast Delivery



Maintenance



Fast Repair



Installation



Please read the user manual first!

Dear Customer,











We aim to provide safe and efficient use of our product, manufactured according to high-quality standards in modern facilities, for your kitchen. To ensure the best experience for you, we strongly request that you carefully read this manual and the accompanying documents before use.

By considering all instructions, safety warnings, and technical information contained in this manual, you can protect both yourself and your product from potential risks. Pay special attention to the electrical connections, cleaning suggestions, and correct usage instructions.

Do not forget to keep the user manual. If you hand over the product to another user, ensure to include the manual as well. The warranty conditions, maintenance tips, and troubleshooting methods for your hood are presented in a detailed way in this manual.

Explanation of symbols:

The following symbols are used in this user manual.

| | | | |
|---|--|---|--|
|  | <p>Electric shock warning</p> <p>This symbol indicates that there is a danger to life and health of persons due to voltage.</p> |  | <p>Fire Hazard Warning</p> <p>Fire Hazard Warning</p> |
|  | <p>Danger</p> <p>This symbol indicates that there are dangers to the life and health of persons due to extremely flammable gas.</p> |  | <p>Information</p> <p>Important information or helpful instructions on using this device</p> |
|  | <p>Caution</p> <p>The signal word indicates a hazard with a low degree of risk which, if not avoided, may result in minor or moderate injury.</p> |  | <p>Warning</p> <p>The signal word indicates a hazard with a medium level of risk which, if not avoided, may result in death or serious injury.</p> |
|  | <p>Attention</p> <p>The signal word indicates important information (e.g. damage to property), but not danger.</p> |  | <p>Observe instructions</p> <p>This symbol indicates that a service technician should only operate and maintain this appliance in accordance with the operating instructions.</p> |
|  | <p>Warning for hot surfaces</p> <p>Warning for hot surfaces</p> |  | <p>CE Marking</p> <p>As of the date of manufacture, this product has been tested and found to comply with specifications of CE marking</p> |



Contents

SPECIFICATIONS

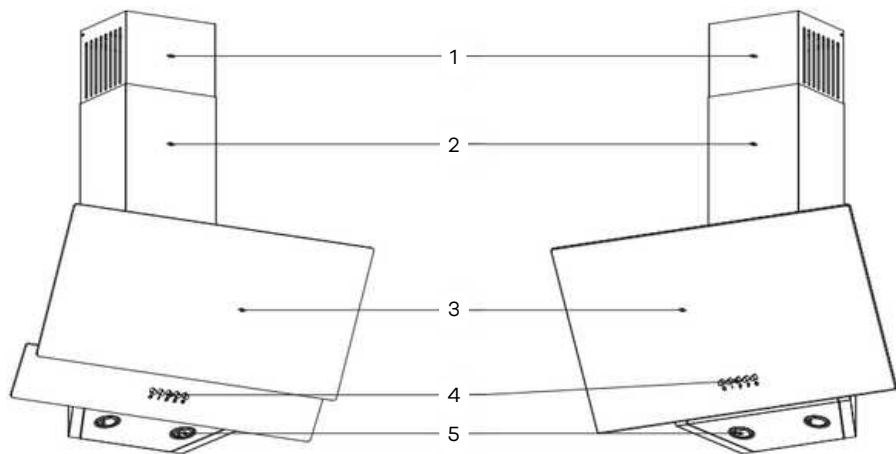
SAFETY INFORMATION

INSTALLATION

OPERATING AND USING THE HOOD

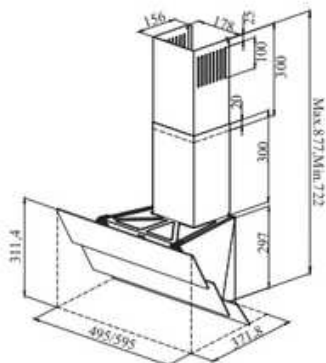
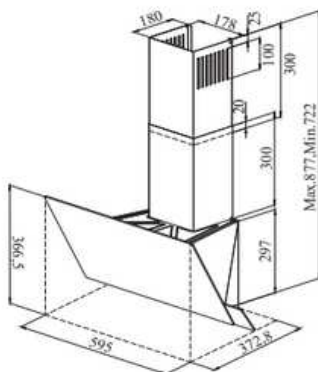
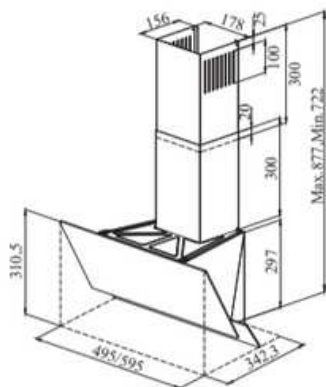
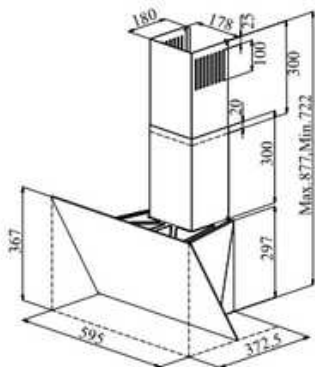
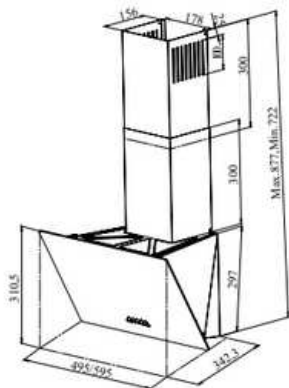
SERVICE, SPACE PARTS, WARRANTY

SPECIFICATIONS



| | |
|---|------------------------------|
| 1 | Height-adjustable inner flue |
| 2 | Fixed outer flue |
| 3 | Fixed outer flue |
| 4 | Control panel |
| 5 | Lightning |

SPECIFICATIONS



TECHNICAL SPECIFICATIONS

| | |
|----------------------------|---------------------|
| Voltage & Frequency | 110-240VAC, 50/60Hz |
| Total product power | Min.2W, Max.36W |
| Motor power | 34W |
| Lamp power | 2 x 1W |
| Lamp Operating Voltage | 12VDC |
| Control Panel | 3 Speed Settings |
| Air outlet connection dia. | Ø120mm |
| Product width | 495-595 mm |
| Product depth | 344-373 mm |
| Product height | 597mm - 877mm |

SAFETY INFORMATION

General warnings

- This product is designed for household use. Use for commercial or industrial purposes voids the warranty and may pose a safety risk.
- The installation of the product by unauthorized persons can lead to reduced performance, permanent product damage, and even accidents. Thus, we strongly suggest that the installation be performed only by authorized service personnel.
- Operate the appliance only according to the instructions specified in the user manual.
- Do not make connections to the appliance if there is a shipping damage.

Intended use

- The appliance is designed to effectively filter or expel steam, smoke, grease particles, and unwanted odours that occur during cooking in the kitchen.

Restriction on user groups

- This appliance can be used by children of 8 years and older, people with no physical, sensory or mental capability deficiency or people without any lack of experience or knowledge; as long as they are provided supervision or instructions for the safe use of the appliance and they comprehend the hazards.

GENERAL SAFETY

WARNING - CHOKING HAZARD!

- The packaging materials are dangerous for children. Never allow children to play with packaging materials.
- Keep the small parts away from children. Do not allow children play with the small parts.

WARNING - ELECTROCUTION HAZARD!

- Faulty and damaged appliances should never be used.
- If the appliance or network connection cable is faulty, the plug should be immediately pulled out or the fuse should be turned off from the fuse box.
- For your own safety and the safety of the product, use a "Maximum 6A" fuse in the electrical installation to which the hood is connected.
- Improper repairs are hazardous. Only trained personnel who have been trained on this process can perform repairs on the appliance.
- Only original spare parts should be used when repairing the appliance.

- If the appliance's electrical cable is damaged, it must be replaced by trained expert personnel. Never touch the plug with wet hands.
- To unplug the appliance, don't hold the cable of the plug but its body.
- The plug should be pulled out or the fuse should be turned off from the fuse box before cleaning.
- Do not use steam cleaners or high-pressure cleaners to clean the appliance.
- Sharp-edged parts inside the appliance can damage the connection cable.
- The connection cable should not be folded or pinched.
- The appliance must only be connected to an alternating current electrical network over a grounded socket that is installed in accordance with the rules.
- During the installation of the appliance, ensure that the electrical cable is not pinched or damaged.
- The electrical plug of the network connection line must be easily accessible after the installation of the appliance.
- If this is not possible, a multi-pole disconnection assembly must be installed in accordance with over-voltage protection category III conditions and installation regulations for the fixed electrical installation.
- The fixed electrical installation must only be carried out by an electrical technician. We suggest you to install a residual current device (RCD) in the current circuit of the power supply.
- The appliance is within the protection Class 1. Therefore, it should only be used with sockets with a grounding connection.
- Do not connect the electricity before the installation of the hood is completed.

WARNING - FIRE HAZARD!

- Plugged cable should not be positioned near the cooker as it may melt due to high temperatures and cause a fire.
- The oil residue in the oil filters may catch fire. Never operate the appliance without the oil filter.
- Oil filter should be cleaned regularly.
- There should absolutely be no open flame operation near the appliance (e.g., cooking with a flame).
- Specified distances of safety must be adhered to in order to prevent deformation due to heat, permanent damage, or situations that could compromise product and user safety.
- After completing the installation of hood, the minimum distance must be 60 cm between the product and any electric cooker; and 65 cm between it and any gas ranges or cookers burning other flammable fuels. If your cooker has both combustible electric and gas components, the minimum distance specified for gas cookers must be adhered to. Also, if more distance is specified in the installation instructions for gas cookers, you must primarily follow these instructions.
- Hot oils and fats catch fire easily. Hot oils and fats should never be left unattended.
- Oil that catches fire must never be extinguished with water. Hob should be covered. Extinguish the flames carefully using a cover, fire blanket or a similar material.

WARNING - BURN HAZARD!

- Allow the appliance to cool before cleaning and maintenance process. Turn off the fuse and unplug the appliance from the socket.
- Do not touch hot areas under any circumstances.

WARNING - INJURY HAZARD!

- Parts inside the appliance may have sharp edges. Therefore, the interior of the appliance should be cleaned carefully.
- Objects placed on the appliance may fall; do not place any objects onto the appliance.
- Making electrical or mechanical modifications is dangerous and can cause functional failures. Do not make electrical or mechanical modifications.
- The light of LED illumination is very bright and can damage the eyes. Do not directly look at the operating LED lights for more than 60 seconds.
- If the appliance is not secured properly, it may fall. All fastening elements must be tightened and mounted securely.
- The appliance is heavy; 2 people are required to move it.
- Only use appropriate auxiliary materials.
- The appliance should not be mounted directly on drywall or similar lightweight construction materials.
- For a proper assembly, a sufficiently stable material suitable for the construction environment and the weight of the appliance must be used.

WARNING - POISONING HAZARD!

- Re-aspirated flammable gases may cause poisoning. Ventilated fire heaters (e.g. gas, oil, wood or coal burning heaters, shower heaters, water heaters) take combustion air from the installation location, and discharge the waste gas through a waste gas system (e.g. flue).
- When the hood is active, it absorbs air from the kitchen and neighbouring rooms. If adequate air entry is not provided, vacuum emerges. In such a case, the toxic gases are absorbed from the flue and waste gas channel, and are taken into to door again. Ensure that the appliance is always ventilated when the appliance is operated with a cooker connected to the room air in the dirty air operation.

ENVIRONMENT PROTECTION



This appliance is marked in accordance with the European Directive 2012/19/EC on Waste Electrical and Electronic Equipment (WEEE). By ensuring the proper disposal of this product, you will prevent possible negative effects on the environment and human health that may result from improper handling of the product.



The symbol on the product or the documents provided with the product indicates that this appliance should not be treated as household waste. The appliance must be delivered to a recycling collection point designated for this type of electrical and electronic equipment. The waste disposal process should be conducted in accordance with local environmental regulations on waste disposal. For detailed information on the recycling conditions of this product, consult the relevant department of your municipality, the waste disposal service or the product's seller.

INSTALLATION

BEFORE UNPACKING THE APPLIANCE:

Make sure that your electrical installation is suitable. If you are unsure, have a qualified electrician make the necessary arrangements. It is customer's responsibility to prepare the location the product shall be installed and also to have the electrical installation prepared. The rules in local standards about electrical installations shall be followed during product installation. Check for any damage on the product before installing it. Do not have the product installed if it is damaged. Damaged products cause a risk for your safety.

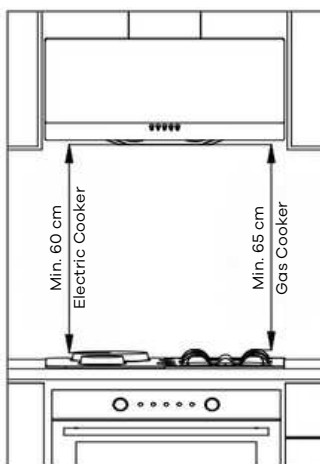
WARNING! Good ventilation of the room is a must for safe operation of your product. If there are no windows available for ventilation, additional ventilation (such as opening a vent in the window) should be provided. If you have a vent in your kitchen, do not block it. Check the condition of other materials (for example; mounting accessories, user manual) inside the hood and remove them, and keep them in a separate place. Never keep these inside the hood. Do not install the appliance on surfaces such as tiles, glass, or silicone. Only install it to the wall.

Do not allow children to play with packaging materials!

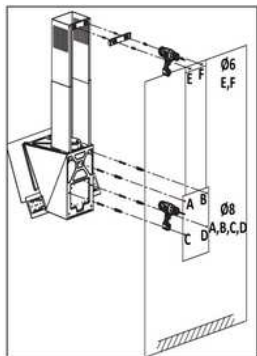
INSTALL THE APPLIANCE

Follow the steps below to install the product.

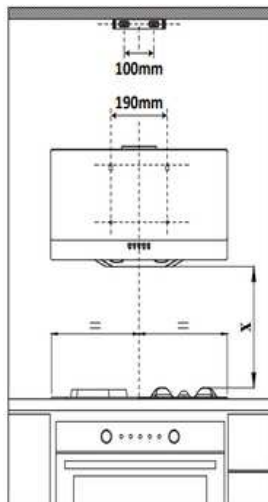
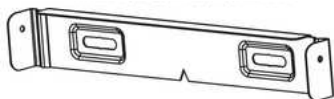
Position of Appliance: After completing the installation of hood, the distance must be 60cm between the product and any electric cooker; and 65cm between it and any gas ranges or cookers burning other fuels.



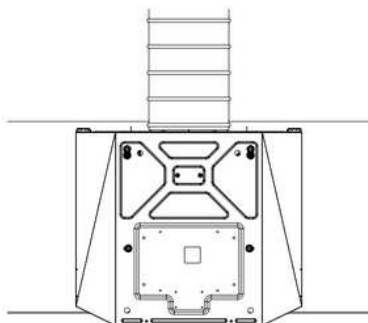
- Drill holes into the wall with a $\varnothing 8$ mm drill (A,B,C,D) and insert $\varnothing 8$ mm plastic plugs into these holes you drilled by using the installation template next to the installation equipment inside the product box.
- Drill holes in the wall for the inner flue connection plate with a $\varnothing 6$ mm drill (E,F) and insert $\varnothing 6$ mm plastic plugs into these holes by considering the height of the installation area.
- Tighten 2 of the 4.8x50 screws to the plugs at points A and B. Ensure to keep a distance of 5mm between the screw head and the wall.
- Secure the inner flue connection plate to the $\varnothing 6$ mm dowels at points E and F that you hammered into the wall by using 3.9x22 RYSB screws.



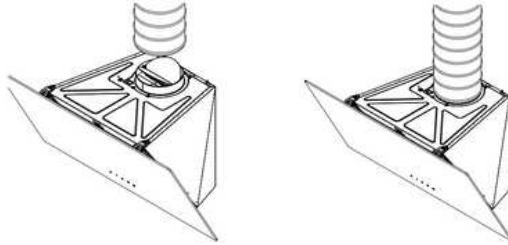
Inner Flue Connection Plate



- Hang the hood by inserting the hanging slots onto the screws you previously mounted into holes A and B, leaving a 5 mm gap between the screw heads and the wall surface.



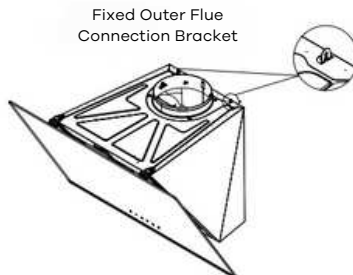
- After pulling the glass cover of the hood towards you to open it, remove the aluminium cassette filter. Then, secure the product by tightening the other 4.8x50 YSB screws into the plastic dowels that are visible from the inside of the product at holes C and D.
- Make the connection between the hood and the aluminium pipe. After sliding the flexible aluminium pipe over the plastic flue, secure it using a plastic cable holder or clamp by not over-tightening. Insert the other end of the pipe to the flue hole.
- Before making the pipe connection, the plastic flaps at the product's air outlet point must be checked. Operate your hood before making the pipe connection and ensure that the flaps move upwards and allow air to exit. Otherwise, change the direction of the flaps.



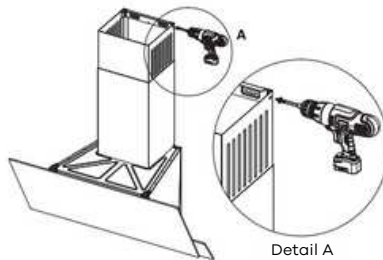
- Over-tightening the plastic cable holder or clamp used while making the pipe connection may prevent the flaps from operating. For this reason, before connecting the pipe to your home's flue, check that the flaps are functioning properly by running your hood.
- Carefully insert the outer flue into the inner flue.



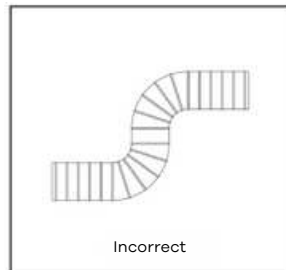
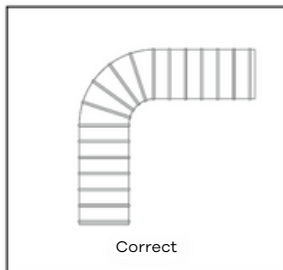
- To use your hood efficiently; Pull the inner flue upwards through the outer flue and screw it to the inner flue connection sheet previously attached to the wall using a 3.5x6.5 RYSB screw.



- Secure the outer flue to the flue connection brackets (two on top of the hood) on the upper surface of the hood using a 3.5x6.5 RYSB screw.



- Use a pipe with a diameter of 120 mm and less elbows as much as possible while connecting the hood to the flue. Since twists and bends in the aluminium pipe will lead to reduction in the air suction power, avoid using twists and bends as much as possible.
- Pay attention to regularly cleaning the aluminium cassette filter and the replacement intervals for the carbon filters.



OPERATING AND USING THE HOOD

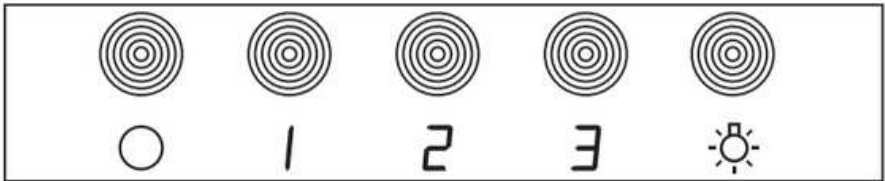
Caution

Before operating the hood, ensure that all mechanical and electrical connections are made.

Do not leave any foreign objects inside the hood. Make sure there are no packaging materials around.

Before using the blue protective tape on the edges of the aluminium cassette filter in the hood, always remove it. If this tape is left on, it can ignite when exposed to high heat, and may create a safety risk. Please ensure that you have completely removed all protective tapes before operating the appliance.

MECHANICAL CONTROL



SPEED SELECTION

- The hood can operate at 3 different speeds based on the level of steam produced during cooking:
 - Speed: For light steam and odour
 - Speed: For medium steam and odour
 - Speed: For intense steam and odour

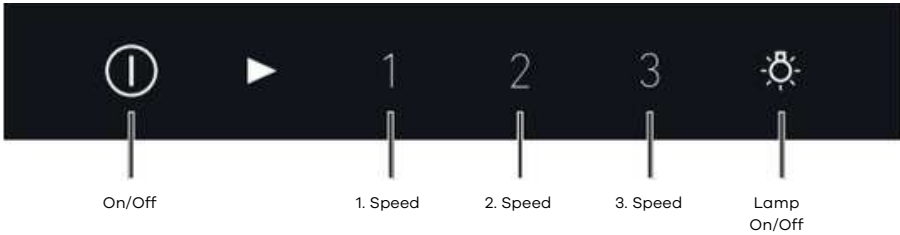
Suggestion: After cooking is completed, operate the hood for a while longer to remove the remaining odours.

HOW TO USE

- To turn on the hood, press button 1, 2 or 3.
- Press button 0 to turn it off.
- Use the button with the lamp icon to control the lighting.

OPERATING AND USING THE HOOD

TOUCHSCREEN CONTROL (ECO)



START SCREEN

- When the product is plugged in, all icons flash red at the same time.
- When the On/Off icon is pressed again, all icons will turn red one by one.
- If no action is taken for 1 minute, all icons will turn off.

HOW TO USE

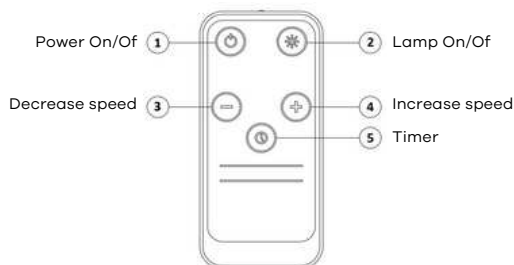
- To turn on the hood, touch the On/Off icon.
- Depending on the intensity of the steam that occur during cooking, touch one of the icons (1-2-3) shown above.
- The selected Speed level and (▶) red light will turn on.
- To turn the LED lamp on/off, press the Lamp On/Off icon. (The product's lamps can be operated independent from the motor.)
- To turn off the hood after use, press the On/Off icon to turn it off.

OPERATION OF THE TIMER

- If the Speed level (1-2-3) is pressed for a long time, the timer will activate and automatically turn off the motor after 5 minutes; the lamps will remain on.

REMOTE CONTROL (OPTIONAL)

If your product has a remote control, it will be supplied with 1 remote control.



OPERATING AND USING THE HOOD

APPLIANCE PROPERTIES

- Hood is used in kitchens with or without flues.
- The product will shut itself down after 6 hours if no button is pressed after it is started.

OPERATION WITH FLUE

- When operated with a flue connection, the hood must be connected to the flue. To use your hood efficiently, the pipe system leading to the flue should go in the shortest way possible and the airflow path must be open. Our product is designed for use with a flue.

Warning! No other air ducts can be connected to the aspirator openings of the hood.

WHEN OPERATION WITHOUT FLUE

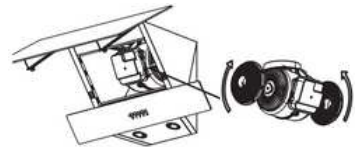
Active carbon filter

In environments where there is no flue connection to the outdoors, an activated carbon filter should be used to filter and reintroduce odours and air that occur indoors. The flue outlet of the product should not remain in a closed position due to a contact with the ceiling or cupboard. Carbon filters can be obtained additionally from our authorized services.



Active carbon filter replacement

2 carbon filters must be used in the product. To mount the carbon filter, align and turn half a turn clockwise the channels on the motor cap and tabs on the carbon filter. Turn half a turn anti-clockwise to remove it.



CLEANING AND MAINTENANCE

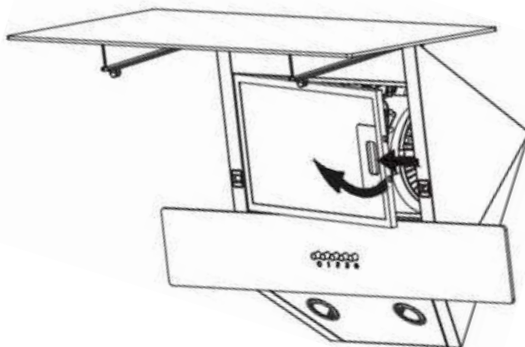
Before carrying out the maintenance and cleaning work, the power cable must be unplugged or the switch to which the hood is connected must be turned off.

The surfaces of the hood can be wiped with a cloth dampened with soapy water.

Do not use abrasive or hazardous chemicals. Attention must be paid to avoid contact of electronic parts with water or similar materials. For stainless steel products, using commercially available cleaner and maintenance products will extend the life of your product. Aluminium cassette filters can be washed in dishwashers.

Aluminium cassette filter should be cleaned with hot soapy water or, if possible, only in the dishwasher (maximum 60°C) every few months depending on the intensity of the use (approximately after 40 hours of operation). After washing, the colour of the aluminium cassette filter and its frame may change. This is normal and does not affect the function of the filters.

Remove the aluminium cassette filter by pressing the spring clip at the end. After cleaning, let it dry. Do not install the product before it is dry.



CLEANING AND MAINTENANCE

WASHABLE ALUMINIUM CASSETTE FILTERS

If you want to replace your aluminium cassette filter, please contact your nearest Authorized Service and make a request. To do this, you must provide the model number from the nameplate of your product. Other brands and models of filters available on the market are not compatible with your product.



GENERAL INFORMATION ON LAMPS AND LAMP REPLACEMENT

The hood has a lighting system based on LED technology. LEDs are about 10 times more durable than conventional lamps while providing ideal lighting and offer energy savings of up to 90%.

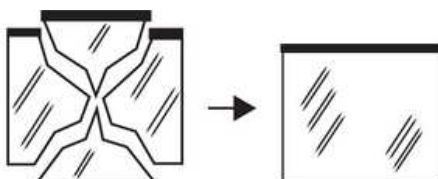
If you encounter any physical deformation or problems that are related to the lighting performance of the hood, please contact an authorized service.

If there is any cracking or breaking on the lamp surface, please contact the authorized service to arrange for a replacement.

If the lamps need to be replaced, please check the information below and replace them with an alternative which meets these technical specifications.

- ILCOS D code: DBR-1-H (ILCOS D code according to IEC 61231 standard)
- LED module - Translucent plastic
- Each lamp's nominal power; 1W
- Maximum lamp power for potential replacement; 2 x 1W
- Product dimensions; diameter: 35.8 mm / height: 30 mm

You can obtain new lamps from your service if needed.

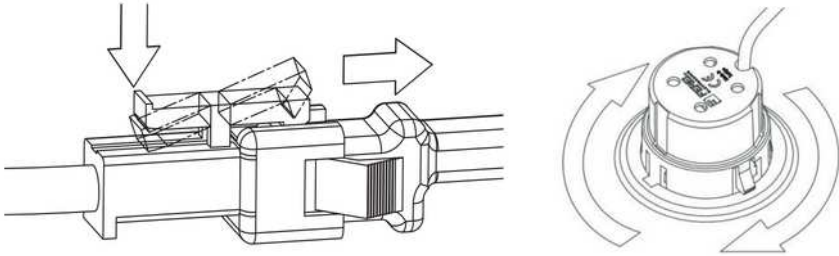


CLEANING AND MAINTENANCE

REPLACING THE LAMPS

Before replacing the lamps, unplug the energy cable of the hood. Then, lift the front glass upwards to remove the aluminium cassette filter. Then;

- After releasing the locking mechanism, press the plastic tab at the back as shown on the left to detach the lamp sockets and plugs from each other
- Rotate the two retaining tabs on the lamp clockwise or counter-clockwise so that they align with the openings on the lighting panel by holding the body of the lamp. Once the retaining tabs are aligned with the openings, hold the body of the lamp and make it to come out. Repeat all the steps in reverse order in order to install the lamp.



SERVICE, SPARE PARTS, WARRANTY

THE ISSUES CONSUMERS SHOULD PAY ATTENTION REGARDING WARRANTY

Keep the warranty certificate. Product is treated outside the warranty if the warranty certificate cannot be produced. Auxiliary components and accessories to be purchased with the product are outside the product warranty. Materials that are specified to be replaced within time and as per usage amount in the operation manual are also not covered under warranty.

THE FOLLOWING CASES ARE NOT COVERED BY THE WARRANTY:

- Damage and failures resulting from installation and usage errors contrary to what is stated in the product manual,
- Damage and malfunctions occurring during loading, unloading and handling after the product is delivered to the customer,
- Damages and failures that occur because of under-voltage or over-voltage, faulty electrical installation, using the appliance with a voltage value other than the voltage value specified in the type plate of the product,
- Damages and/or faults that occur because of fire or lightning strike,
- Failures due to the use that is contrary to the matters specified in the product manual that the user should pay attention to.
- Glass breaking
- Errors resulting from the interventions or appliance repair attempts by anyone other than authorized personnel.
- Errors occurring due to any part other than those provided by the importer are installed on the appliance

The responsibility to complete the warranty certificate and to submit it to the consumer is placed on the sellers, dealers, agencies or agents from whom the consumer purchased the good. This warranty is void if the warranty certificate is damaged, the original serial number on the product is removed or damaged. Aluminium filters used in the hoods shall be cleaned in the periods and with the methods specified in the manual. Tarnishing or discolouration may be observed on the filters within time as per usage. These conditions are normal, they do not affect the operation and functioning of the appliance and they are not covered under warranty. Tarnishing, oxidation and rippling on the surface may be seen on stainless steel products if the warnings specified in the manual are not observed. These conditions are not covered under warranty.

SERVICE, SPARE PARTS, WARRANTY

Warnings Regarding Shipment and Transportation

- Follow the signs stated on the package during shipment

If you need transportation;

- Keep the original packaging.
- Use the original packaging to transport the appliance, follow the handling signs on the package.

If the original packaging is missing;

- Do not put heavy items on the hood.

AFTER-SALES SERVICES:

Please contact the manufacturer to learn the nearest authorized service agent.

- When you purchase the product, please have its Warranty approved by your Authorized Dealer.
- When you have a service request regarding your product, you can call the Consumer Helpline.
- Ask the technician who comes to provide the service to show you "his/her technician ID card".
- Don't forget to ask for a "Service Receipt" after completing the work. This Service Receipt will be useful if later you have issues with the product again.
- Useful life: 10 years. During this time period, the manufacturer guarantees to keep the necessary spare parts for the product available.

IF THE HOOD DOES NOT OPERATE:

Before contacting with the service:

Ensure that the appliance is plugged in the outlet and that the fuses are OK. Do not perform any operation that may harm the product. Check your hood according to Table 1 before contacting with the service. If the problem persists, contact the nearest authorized service.

Service and Spare Parts:

In cases where necessary, you can obtain spare parts for your product from your authorized service. When you contact your service or dealer, please inform them of the product and model name that you can see on the product label in order to be able to ask for spare parts. You can see the product label when you remove the aluminium cartridge filter.

TROUBLESHOOTING

| Problem | Possible cause | Solution |
|--|--|--|
| Appliance does not operate. | Appliance might not be plugged. | Make sure the power cord is plugged in. |
| | On/Off key might not be pressed. | Press the On/Off key. |
| | A foreign object may be stuck in the motor fan. If the motor movement is obstructed, the motor will stop working as a part of the protection scenario. | The product must be unplugged. After power is cut off, the foreign object that is stuck on the fan and obstructing its movement should be removed. |
| Lighting is not functioning. | Appliance might not be plugged. | Make sure the power cord is plugged in. |
| | Appliance key may not be functioning. | Check the button. |
| | Lamp may be faulty | Replace the lamp |
| Performance of the appliance is not adequate or the appliance makes too much noise during operation. | If you use the hood without flue, the carbon filters might be older than 4 months. | Replace the carbon filters. |
| | There may not be a sufficient supply of fresh air entering your kitchen to ensure air flow. | Let the environment be ventilated by opening the windows. |
| | The air outlet may be partially or completely blocked. | Check that the air discharge path is clear. |

Note: If you cannot fix the problem despite following the instructions in this section, you can contact our nearest authorized service or get support from our call center.

<https://wiggo.eu/support/services/>

WIGGO

General service and warranty terms and conditions (May 2024)

These service and warranty terms and conditions apply to the purchases of Wiggo kitchen appliances in the Benelux region after May 1, 2024. We are committed to excellent customer service and product quality; for inquiries or terms on previous purchases, visit www.wiggo.eu.

Article 1: Warranty

At Wiggo, we are dedicated to the excellent quality and durability of our kitchen appliances, and we strive for a seamless customer experience. In case of any issues, we provide a suitable solution, from repair to replacement, to ensure your satisfaction.

Discovered a defect? Report it via our service portal at www.wiggo.eu/services for prompt support. Our warranty terms provide you with five years of assurance after the purchase of our appliances.

Article 2: Exclusions from the Warranty

Although we stand behind the quality of our kitchen appliances, there are certain cases where the warranty does not apply:

- a. Kitchen appliances that were not purchased as 'new'.
- b. Defects or damage to a household appliance reported to Wiggo after the 5-year warranty period.
- c. Use in a non-domestic environment or for commercial purposes.
- d. On the supply of consumables, parts, and accessories.
- e. Unauthorized repairs and/or use of non-official parts.
- f. Kitchen appliances: without readable identification numbers, purchased outside the Benelux, sold as B-grade, or as showroom models.
- g. Damage, normal wear and tear, or minor deviations that do not affect functionality.
- h. Damage or defects to accessories, door seals, and fragile elements such as glass, plastic, and lamps.
- i. Damage or defects due to water damage or other substances that the product is not resistant to, such as using the wrong cleaning agent.
- j. Damage or defects due to improper use, operation, loading, assembly, and/or maintenance.
- k. Damage or defects outside the appliance, including consequential and indirect damages.
- l. Damage or defects caused by actions not in accordance with the manual.
- m. Damage or loss normally covered by household insurance.
- n. Damage or defects due to power and voltage fluctuations that exceed the tolerance range indicated by Wiggo.
- o. Damage or defects caused by user negligence.
- p. Damage caused by or resulting from an external cause.

Article 3: Warranty Claim

- a. Issues with your product? Report it promptly, no later than within 48 hours, via www.wiggo.eu/services.
- b. Send us a copy of your proof of purchase, as it is necessary for your warranty claim.
- c. We will keep you informed about the handling process via email or phone.
- d. In case of replacement, the original warranty period remains valid.

Warranty Conditions

e. The replaced parts and appliances become the property of Wiggo.

Article 4: Post-Warranty Service

- a. Issue with your kitchen appliances after the warranty period? Fill out the service form at www.wiggo.eu/services.
- b. Shipping costs and/or call-out fees for inspection, repair, or parts are at your expense.
- c. We provide a cost estimate for inspection and repair upfront. Upon approval, we will send a payment request and then schedule an appointment.
- d. Any additional costs will be clearly communicated after the repair.
- e. Payment to the authorized service technician is easy to fulfill via a QR code or payment request.

Article 5: Claims

In addition to any rights arising from statutory warranties or other guarantees you have entered into, you have no right to any other claims than those mentioned in this warranty.

Article 6: International Use

If you take your Wiggo appliance across borders, the warranty will no longer apply. Check local warranties and ensure that your appliance meets the technical requirements (such as voltage, frequency, gas type, etc.) and climatic conditions there.

Article 7: Service Visit and Maintenance

- a. If the technician determines that there is no actual problem (the product is functioning as it should), you will be charged for the technician's visit. These costs are based on the prevailing rates at that time.
- b. Appliances that are not working or defective must be empty and clean when the authorized service technician comes for repair or replacement. If this is not the case, the technician or carrier may refuse the replacement and charge for it.
- c. Payment to the authorized service technician is easy to fulfill via a QR code or payment request.

Article 8: Liability

We are only liable up to the amount covered by our insurance. Please note: for non-Wiggo kitchen appliances or late cancellations (at least 24 hours in advance), charges will apply. These charges are based on the prevailing rates at that time.

Article 9: Data Protection

During service provision, Wiggo collects and processes personal data. More information about this can be found at www.wiggo.eu.

Article 10: Law and Disputes

Deze garantie- en servicevoorwaarden vallen onder het Nederlands recht, met uitzondering van het Weens Koopverdrag. Geschillen worden beslecht door de bevoegde Nederlandse rechter.

PRODUCT FICHE

| | | | | |
|---|---------|---------------------------------|---------------------------------|---------------------------------|
| Product Code | | WE-A531G | WE-A532G | WE-A533G |
| Product Type | | Angled Curved | Angled Curved | Angled Curved |
| Width(mm)/Color | | 50 cm / Black | 50 cm / Black | 50 cm / Black |
| Control Type | | ECO Touch Control | ECO Touch Control | ECO Touch Control |
| Total power of the motor (W) | | 1 x BLDC330 34W | 1 x BLDC330 34W | 1 x BLDC330 34W |
| Voltage/Frequency | | 220-240V 50Hz | 220-240V 50Hz | 220-240V 50Hz |
| Plug Type | | EU Type | EU Type | EU Type |
| Motor Type | | Copper Wire Winding Motor | Copper Wire Winding Motor | Copper Wire Winding Motor |
| Speed Level | | 3 | 3 | 3 |
| Glass quantities / Color | | 1 / Black | 2 / Black | 3 / Black |
| Air System | | Double Vented System Air Outlet | Double Vented System Air Outlet | Double Vented System Air Outlet |
| Diameter of air outlet (mm) | | 120 | 120 | 120 |
| Number Of Chimney(S) & Color | | 2 / Black | 2 / Black | 2 / Black |
| Chimney Length (mm) | | 300 | 300 | 300 |
| Carbon Filter Type | | Optional | Optional | Optional |
| Metal Filter | | 3 Layer Aluminium Filter | 3 Layer Aluminium Filter | 3 Layer Aluminium Filter |
| Lighting Type | | 2 x 1W Led Lamp(6500K) | 2 x 1W Led Lamp(6500K) | 2 x 1W Led Lamp(6500K) |
| Annual Energy Consumption, AEEhood | [kWh/a] | 12.6 | 13.1 | 12.2 |
| Energy Efficiency class | | A+ | A+ | A+ |
| Fluid Dynamic Efficiency, FDEhood | [%] | 19.4 | 18.9 | 19.4 |
| Fluid Dynamic Efficiency class | | C | C | C |
| Light Efficiency, LEhood | [lux/W] | 39 | 37 | 40 |
| Light Efficiency class | | A | A | A |
| Grease Filtering Efficiency, GFEhood | [%] | 52 | 61 | 67 |
| Grease Filtering Efficiency class | | F | E | D |
| 1 speed airflow in normal use | [m3/h] | 147 | 142 | 147 |
| 2 speed airflow in normal use | [m3/h] | 218 | 215 | 226 |
| 3 speed airflow in normal use | [m3/h] | 260 | 259 | 265 |
| 4 speed airflow in normal use | [m3/h] | - | - | - |
| Airflow at intensive/boost setting | [m3/h] | - | - | - |
| A-weighted sound power emission at 1 speed | [dB(A)] | 36 | 42 | 41 |
| A-weighted sound power emission at 2 speed | [dB(A)] | 50 | 51 | 51 |
| A-weighted sound power emission at 3 speed | [dB(A)] | 55 | 56 | 56 |
| A-weighted sound power emission at 4 speed | [dB(A)] | - | - | - |
| A-weighted sound power emission at intensive/boost speed | [dB(A)] | - | - | - |
| Power consumption off mode, PO | [W] | N/A | N/A | N/A |
| Power consumption in stand-by mode, PS | [W] | 0.4 | 0.41 | 0.4 |
| Time increase factor, f | | 1.3 | 1.3 | 1.3 |
| Energy Efficiency Index, EEIhood | | 43.2 | 44.4 | 42.5 |
| Measured airflow rate at Best Efficiency Point, QBEP | [m3/h] | 150 | 156.5 | 162.8 |
| Measured air pressure at Best Efficiency Point, PBEP | [Pa] | 120 | 112 | 110 |
| Maximum airflow, Qmax | [m3/h] | 260 | 259.1 | 265.1 |
| Measured electric power at Best Efficiency Point, WBEP | [W] | 25.7 | 25.9 | 25.7 |
| Nominal power of the lighting system, WL | [W] | 2 | 2 | 2 |
| Average illumination of the lighting system on the cooking surface, Emiddle | [lux] | 79 | 74 | 80 |
| Net Weight | [kg] | | | |
| Gross Weight | [kg] | | | |
| Quantity Per Truck / 40HC | [pcs] | 1056/858 | 1056/858 | 1056/858 |
| Package Type | | Foem supported carton box | Foem supported carton box | Foem supported carton box |
| Flammability of Plastics | | Fireproof Plastic Parts | Fireproof Plastic Parts | Fireproof Plastic Parts |



www.wiggo.eu

Visit our website!

WIGGO



INSTRUCTIE HANDLEIDING

GLAZEN SCHOUWKAP

- Veiligheidsinstructies
- Installatie-instructies
- Het product bedienen

Modellen

WE-A531G

WE-A532G

WE-A533G

Gebruiksaanwijzing

wiggo.eu

5 JAAR
GARANTIE

Groetjes!



Sluit je aan bij onze gemeenschap!

Dank je wel dat je ons toelaat om samen met jou te koken en deel uit te maken van jouw warme keuken. We zijn ontzettend blij om jou binnen onze Wiggo-gemeenschap te hebben en kunnen niet wachten om nog meer positiviteit naar jouw plek te brengen.

Laat je creativiteit de vrije loop en maak een selfie met je nieuwe kookmaatje om geweldige prijzen te winnen bij ons.

Vergeet ons niet te taggen! @wiggo_eu

Op verse maaltijden!

**Krijg alle
ondersteuning
die je nodig
hebt!**



SCAN MIJ NAAR

**Download de meest recente
versie
van deze handleiding!**

wiggo.eu/support/downloads/



SCAN MIJ NAAR

Registreer uw product!

wiggo.eu/support/register/



SCAN MIJ NAAR

Lees de garantievoorwaarden!

docs.wiggo.eu/books/mzsp/



SCAN MIJ NAAR

**Vul het
serviceaanvraagformulier in!**

wiggo.eu/support/services/service-request-form/



SCAN MIJ NAAR

**Vul het
onderdelenaanvraagformulier in!**

wiggo.eu/support/services/part-request-form/

ONZE DIENSTEN

Snelle
bezorging



Onderhoud



Snelle
reparatie



Installatie



Lees eerst de gebruikershandleiding!

Beste klant,











Wij streven ernaar om uw keuken te voorzien van een veilig en efficiënt gebruik van ons product, vervaardigd volgens hoge kwaliteitsnormen in moderne faciliteiten. Om u de beste ervaring te garanderen, verzoeken wij u dringend deze handleiding en de bijbehorende documenten zorgvuldig te lezen vóór gebruik.

Door alle instructies, veiligheidswaarschuwingen en technische informatie in deze handleiding in acht te nemen, kunt u zowel uzelf als uw product beschermen tegen mogelijke risico's. Besteed speciale aandacht aan de elektrische aansluitingen, reinigingsadviezen en instructies voor correct gebruik.

Vergeet niet de gebruikershandleiding te bewaren. Als u het product aan een andere gebruiker overdraagt, zorg er dan voor dat u de handleiding ook meeneemt. De garantievoorwaarden, onderhoudstips en methoden voor het oplossen van problemen met uw afzuigkap worden gedetailleerd beschreven in deze handleiding.

Verklaring van symbolen:

In deze gebruikershandleiding worden de volgende symbolen gebruikt.

| | | | |
|---|--|---|---|
|  | Waarschuwing voor elektrische schok |  | Waarschuwing voor brandgevaar |
| | Dit symbool geeft aan dat er gevaar bestaat voor het leven en de gezondheid van personen door zeer spanning. | | Waarschuwing voor brandgevaar |
|  | Gevaar |  | Informatie |
| | Dit symbool geeft aan dat er gevaar bestaat voor het leven en de gezondheid van personen door zeer licht ontvlambaar gas. | | Belangrijke informatie of nuttige instructies over het gebruik van dit apparaat |
|  | Voorzichtigheid |  | Waarschuwing |
| | Het signaalwoord geeft een gevaar met een lage risicograad aan dat, indien het niet wordt vermeden, kan leiden tot licht tot matig letsel. | | Het signaalwoord geeft een gevaar met een gemiddeld risiconiveau aan dat, indien het niet wordt vermeden, kan leiden tot de dood of ernstig letsel. |
|  | Aandacht |  | Volg de instructies op |
| | Het signaalwoord geeft belangrijke informatie aan (bijvoorbeeld schade aan eigendommen), maar geen gevaar. | | Dit symbool geeft aan dat een servicetechnicus dit apparaat uitsluitend mag bedienen en onderhouden volgens de gebruiksaanwijzing. |
|  | Waarschuwing voor hete oppervlakken |  | CE-markering |
| | Waarschuwing voor hete oppervlakken | | Vanaf de productiedatum is dit product getest en in overeenstemming bevonden met de specificaties van de CE-markering |



Inhoud

SPECIFICATIES

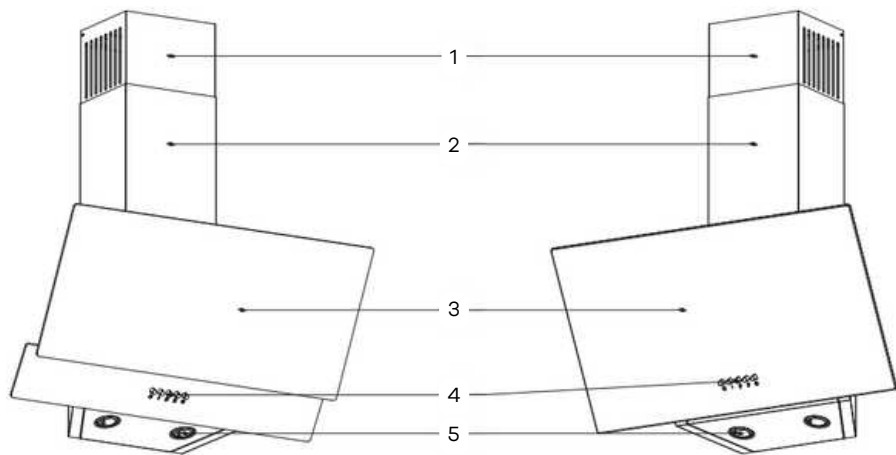
VEILIGHEIDSINFORMATIE

INSTALLATIE

HET BEDIENEN EN GEBRUIKEN VAN DE AFZUIGKAP

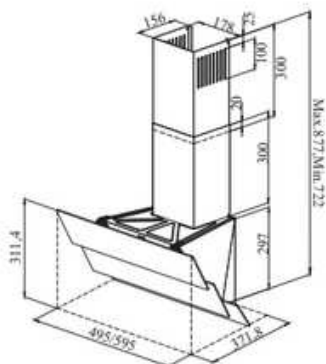
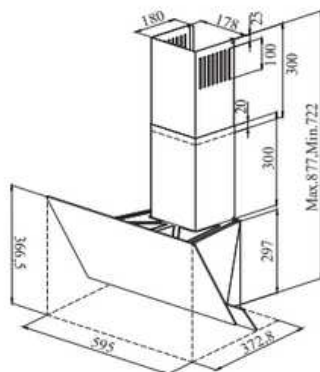
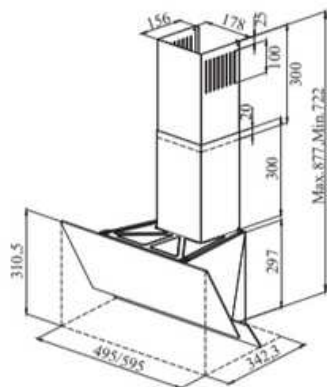
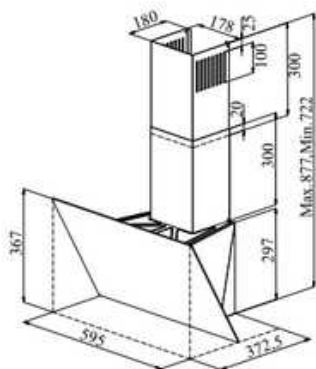
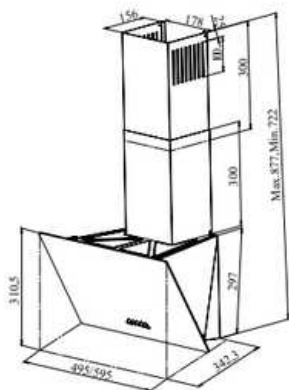
SERVICE, RUIMTEONDERDELEN, GARANTIE

SPECIFICATIES



| | |
|---|-------------------------------------|
| 1 | Hoogteverstelbare binnenschoorsteen |
| 2 | Vaste buitenrook |
| 3 | Vaste buitenrook |
| 4 | Bedieningspaneel |
| 5 | Bliksem |

SPECIFICATIES



TECHNISCHE SPECIFICATIES

| | |
|-------------------------------|-------------------------|
| Spanning en frequentie | 110-240VAC, 50/60Hz |
| Totaal productvermogen | Min. 2W, Max. 36W |
| Motorvermogen | 34W |
| Lampvermogen | 2 x 1W |
| Bedrijfsspanning van de lamp | 12VDC |
| Configuratiescherm | 3 snelheidsinstellingen |
| Luchtuitlaat aansluiting dia. | Ø120mm |
| Productbreedte | 495-595 mm |
| Productdiepte | 344-373 mm |
| Producthoogte | 597 mm - 877 mm |

VEILIGHEIDSINFORMATIE

Algemene waarschuwingen

- Dit product is ontworpen voor huishoudelijk gebruik. Gebruik voor commerciële of industriële doeleinden maakt de garantie ongeldig en kan een veiligheidsrisico vormen.
- Installatie van het product door onbevoegden kan leiden tot verminderde prestaties, permanente schade aan het product en zelfs ongelukken. Daarom raden wij u ten eerste aan de installatie uitsluitend te laten uitvoeren door bevoegd onderhoudspersoneel.
- Gebruik het apparaat uitsluitend volgens de instructies in de gebruiksaanwijzing.
- Sluit het apparaat niet aan als er sprake is van transportschade.

Beoogd gebruik

- Het apparaat is ontworpen om stoom, rook, vetdeeltjes en ongewenste geuren die ontstaan tijdens het koken in de keuken, effectief te filteren of te verwijderen.

Beperking op gebruikersgroepen

- Dit apparaat kan worden gebruikt door kinderen vanaf 8 jaar, personen zonder lichamelijke, zintuiglijke of geestelijke beperkingen of personen zonder gebrek aan ervaring of kennis, op voorwaarde dat zij toezicht krijgen of instructies krijgen over het veilige gebruik van het apparaat en dat zij de gevaren begrijpen.

ALGEMENE VEILIGHEID

WAARSCHUWING - VERSTIKKINGSGEVAAR!

- De verpakkingsmaterialen zijn gevaarlijk voor kinderen. Laat kinderen nooit met de verpakkingsmaterialen spelen.
- Houd kleine onderdelen buiten bereik van kinderen. Laat kinderen niet met de kleine onderdelen spelen.

WAARSCHUWING - ELEKTROCUTIEGEVAAR!

- Defecte of beschadigde apparaten mogen nooit gebruikt worden.
- Indien het apparaat of de netwerkverbindingkabel defect is, dient men onmiddellijk de stekker uit het stopcontact te halen of de zekering in de meterkast uit te schakelen.
- Voor uw eigen veiligheid en de veiligheid van het product, gebruikt u een zekering van "Maximaal 6A" in de elektrische installatie waarop de afzuigkap is aangesloten.
- Onjuiste reparaties zijn gevaarlijk. Alleen getraind personeel dat getraind is in dit proces, mag reparaties aan het apparaat uitvoeren.
- Bij reparaties aan het apparaat mogen uitsluitend originele onderdelen worden gebruikt.

- Als het netsnoer van het apparaat beschadigd is, moet het worden vervangen door gekwalificeerd en deskundig personeel. Raak de stekker nooit met natte handen aan.
- Om het apparaat uit het stopcontact te halen, pakt u niet de kabel of de stekker vast, maar het apparaat zelf.
- Voordat u het apparaat schoonmaakt, dient u de stekker uit het stopcontact te halen of de zekering in de zekeringkast uit te schakelen.
- Gebruik geen stoomreinigers of hogedrukreinigers om het apparaat schoon te maken.
- Scherpe onderdelen in het apparaat kunnen de aansluitkabel beschadigen.
- De aansluitkabel mag niet geknikt of gekneld raken.
- Het apparaat mag uitsluitend op een wisselstroomnetwerk worden aangesloten via een geaard stopcontact dat volgens de voorschriften is geïnstalleerd.
- Zorg ervoor dat de elektrische kabel tijdens de installatie van het apparaat niet afgekneld of beschadigd raakt.
- De stekker van de netwerkaansluitleiding moet na installatie van het apparaat gemakkelijk toegankelijk zijn.
- Indien dit niet mogelijk is, dient een meerpolige scheidingsinrichting te worden geïnstalleerd volgens de voorwaarden van overspanningsbeveiligingscategorie III en de installatievoorschriften voor de vaste elektrische installatie.
- De vaste elektrische installatie mag uitsluitend door een elektrotechnicus worden uitgevoerd. Wij adviseren u een aardlekschakelaar (RCD) in het stroomcircuit van de voeding te installeren.
- Het apparaat valt onder beschermingsklasse 1. Gebruik het daarom alleen in stopcontacten met een aardaansluiting.
- Sluit de elektriciteit pas aan als de afzuigkap volledig is geïnstalleerd.

WAARSCHUWING - BRANDGEVAAR!

- De stekker van het snoer mag niet in de buurt van het fornuis worden gelegd. De hoge temperatuur kan ervoor zorgen dat het snoer smelt en brand veroorzaakt.
- De olieresten in de oliefilters kunnen vlam vatten. Gebruik het apparaat nooit zonder oliefilter.
- Het oliefilter moet regelmatig worden schoongemaakt.
- Er mag absoluut geen gebruik worden gemaakt van open vuur in de buurt van het apparaat (bijvoorbeeld koken met een vlam).
- Er moeten bepaalde veiligheidsafstanden in acht worden genomen om vervorming door hitte, blijvende schade of situaties die de veiligheid van het product en de gebruiker in gevaar kunnen brengen, te voorkomen.
- Na installatie van de afzuigkap moet de minimale afstand 60 cm zijn tussen het product en een elektrisch fornuis; en 65 cm tussen het product en gasfornuizen of fornuizen die andere ontvlambare brandstoffen gebruiken. Als uw fornuis zowel elektrische als gascomponenten bevat, moet u de minimale afstand voor gasfornuizen aanhouden. Ook als er in de installatie-instructies voor gasfornuizen een grotere afstand wordt aangegeven, dient u deze instructies in eerste instantie te volgen.
- Hete oliën en vetten vatten gemakkelijk vlam. Laat hete oliën en vetten nooit onbeheerd achter.
- Olie die vlam vat, mag nooit met water worden geblust. De kookplaat moet worden afgedekt. Doof de vlammen voorzichtig met een deksel, branddeken of iets dergelijks.

WAARSCHUWING - BRANDWONDGEVAAR!

- Laat het apparaat afkoelen voordat u het reinigt of onderhoudt. Schakel de zekering uit en haal de stekker uit het stopcontact.
- Raak in geen geval hete oppervlakken aan.

WAARSCHUWING - GEVAAR VOOR LETSEL!

- Onderdelen in het apparaat kunnen scherpe randen hebben. Maak de binnenkant van het apparaat daarom zorgvuldig schoon.
- Voorwerpen die op het apparaat worden geplaatst, kunnen vallen. Plaats daarom geen voorwerpen op het apparaat.
- Het aanbrengen van elektrische of mechanische wijzigingen is gevaarlijk en kan functionele storingen veroorzaken. Voer geen elektrische of mechanische wijzigingen uit.
- Het licht van LED-verlichting is erg fel en kan oogletsel veroorzaken. Kijk niet langer dan 60 seconden rechtstreeks in de werkende LED-verlichting.
- Als het apparaat niet goed vastzit, kan het vallen. Alle bevestigingselementen moeten goed vastgedraaid en bevestigd zijn.
- Het apparaat is zwaar. Er zijn 2 personen nodig om het te verplaatsen.
- Gebruik uitsluitend geschikte hulpmiddelen.
- Het apparaat mag niet rechtstreeks op gipsplaat of vergelijkbare lichte bouwmaterialen worden gemonteerd.
- Voor een correcte montage moet er een voldoende stabiel materiaal gebruikt worden, dat geschikt is voor de bouwomgeving en het gewicht van het toestel.

WAARSCHUWING - VERGIFTIGINGSGEVAAR!

- Heringeademde brandbare gassen kunnen vergiftiging veroorzaken. Geventileerde kachels (bijv. gas-, olie-, hout- of kolenkachels, douchekachels, boilers) onttrekken verbrandingslucht aan de installatielocatie en voeren de rookgassen af via een rookgasafvoersysteem (bijv. rookgasafvoer).
- Wanneer de afzuigkap actief is, zuigt deze lucht aan uit de keuken en aangrenzende kamers. Als er geen voldoende luchttoevoer is, ontstaat er een vacuüm. In dat geval worden de giftige gassen uit de rookgasafvoer en het rookgasafvoerkanaal geabsorbeerd en weer naar binnen afgevoerd. Zorg ervoor dat het apparaat altijd geventileerd wordt wanneer het apparaat wordt gebruikt met een fornuis dat is aangesloten op de kamerlucht in de vuileluchtmodus.

MILIEUBESCHERMING



Dit apparaat is voorzien van het merkteken volgens de Europese Richtlijn 2012/19/EG betreffende afgedankte elektrische en elektronische apparatuur (AEEA). Door dit product op de juiste manier af te voeren, voorkomt u mogelijke negatieve effecten op het milieu en de volksgezondheid die kunnen voortvloeien uit onjuist gebruik van het product.



Het symbool op het product of de bijgeleverde documentatie geeft aan dat dit apparaat niet als huishoudelijk afval mag worden behandeld. Het apparaat moet worden ingeleverd bij een speciaal daarvoor bestemd recyclingpunt voor dit type elektrische en elektronische apparatuur. De afvalverwerking dient te worden uitgevoerd in overeenstemming met de lokale milieuvoorschriften voor afvalverwerking. Voor gedetailleerde informatie over de recyclingvoorwaarden van dit product kunt u contact opnemen met de bevoegde dienst van uw gemeente, de afvalverwerkingsdienst of de verkoper van het product.

INSTALLATIE

VOORDAT U HET APPARAAT UITPAKT:

Zorg ervoor dat uw elektrische installatie geschikt is. Als u het niet zeker weet, laat dan een gekwalificeerde elektricien de nodige voorbereidingen treffen. Het is de verantwoordelijkheid van de klant om de locatie waar het product wordt geïnstalleerd, voor te bereiden en ook om de elektrische installatie voor te bereiden. De regels in de lokale normen voor elektrische installaties moeten worden gevolgd tijdens de installatie van het product. Controleer het product op eventuele schade voordat u het installeert. Laat het product niet installeren als het beschadigd is. Beschadigde producten vormen een risico voor uw veiligheid.

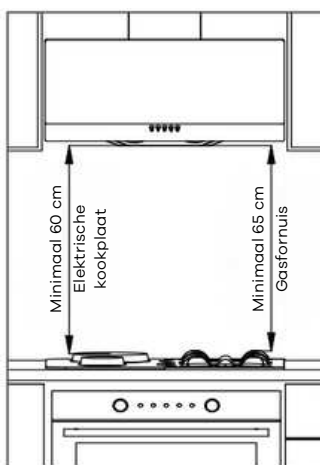
WAARSCHUWING! Goede ventilatie van de ruimte is essentieel voor een veilige werking van uw product. Als er geen ramen beschikbaar zijn voor ventilatie, zorg dan voor extra ventilatie (bijvoorbeeld door een ventilatieopening in het raam te openen). Als u een ventilatieopening in uw keuken heeft, blokkeer deze dan niet. Controleer de staat van andere materialen (bijvoorbeeld montageaccessoires, gebruikershandleiding) in de afzuigkap, verwijder deze en bewaar ze op een aparte plaats. Bewaar deze nooit in de afzuigkap. Installeer het apparaat niet op oppervlakken zoals tegels, glas of siliconen. Bevestig het alleen aan de muur.

Laat kinderen niet met het verpakkingsmateriaal spelen!

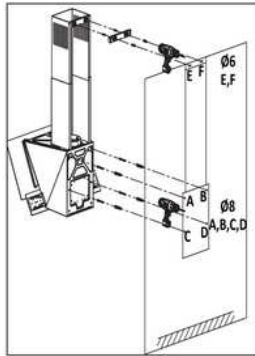
HET APPARAAT INSTALLEREN

Volg de onderstaande stappen om het product te installeren.

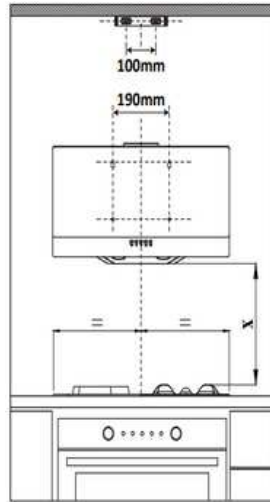
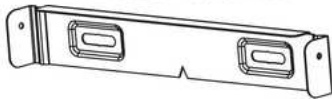
Positie van het apparaat: Nadat de afzuigkap is geïnstalleerd, moet er 60 cm afstand zijn tussen het product en een elektrisch fornuis. En 65 cm tussen het product en gasfornuizen of fornuizen die op andere brandstoffen werken.



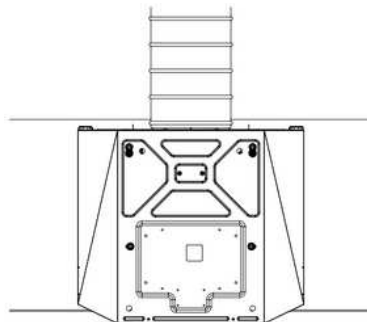
- Boor met een boor van $\varnothing 8$ mm gaten in de muur (A,B,C,D) en plaats kunststof pluggen van $\varnothing 8$ mm in de geboorde gaten. Gebruik hiervoor het installatiesjabloon dat zich naast het installatiemateriaal in de productdoos bevindt.
- Boor gaten in de muur voor de binnenste rookgasafvoerplaat met een boor van $\varnothing 6$ mm (E, F) en plaats kunststof pluggen van $\varnothing 6$ mm in deze gaten. Houd hierbij rekening met de hoogte van de installatieplek.
- Draai 2 schroeven van 4,8x50 vast aan de pluggen op de punten A en B. Zorg ervoor dat er een afstand van 5 mm tussen de schroefkop en de muur zit.
- Bevestig de binnenste rookgasafvoerplaat aan de $\varnothing 6$ mm deuvels op de punten E en F die u in de muur hebt geslagen, met behulp van 3,9x22 RYSB-schroeven.



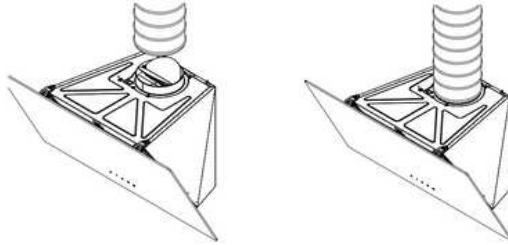
Binnenste rookgasafvoerplaat



- Hang de afzuigkap op door de ophangsluven in de schroeven te steken die u eerder in de gaten A en B hebt gemonteerd. Zorg dat er 5 mm ruimte overblijft tussen de schroefkoppen en het muuroppervlak.



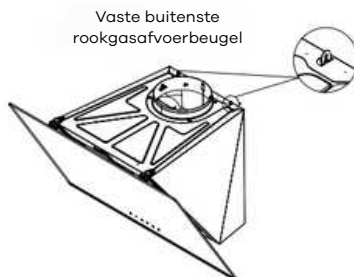
- Trek de glazen kap van de afzuigkap naar u toe om deze te openen en verwijder het aluminium cassettefilter. Bevestig het product vervolgens door de overige 4,8x50 YSB-schroeven vast te draaien in de plastic deuvuls die aan de binnenkant van het product zichtbaar zijn bij de gaten C en D.
- Maak de verbinding tussen de afzuigkap en de aluminium pijp. Nadat u de flexibele aluminium pijp over het kunststof rookkanaal hebt geschoven, zet u deze vast met een kunststof kabelklem of -klem, maar draai deze niet te strak aan. Steek het andere uiteinde van de pijp in het rookkanaal.
- Controleer de kunststof flappen bij de luchtuitlaat van het product voordat u de leiding aansluit. Zet uw afzuigkap aan voordat u de leiding aansluit en zorg ervoor dat de flappen omhoog bewegen en lucht laten ontsnappen. Anders kunt u de richting van de flappen veranderen.



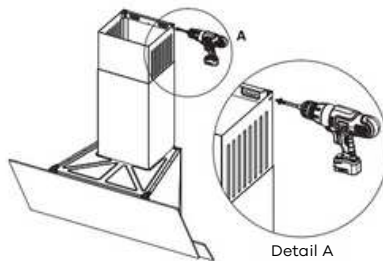
- Het te strak aandraaien van de kunststof kabelhouder of klem die wordt gebruikt bij het aansluiten van de pijp, kan ervoor zorgen dat de kleppen niet meer werken. Controleer daarom, voordat u de pijp op het rookkanaal van uw huis aansluit, of de kleppen goed werken door uw afzuigkap aan te zetten.
- Plaats het buitenste rookkanaal voorzichtig in het binnenste rookkanaal.



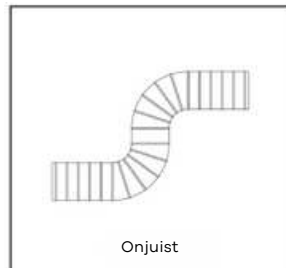
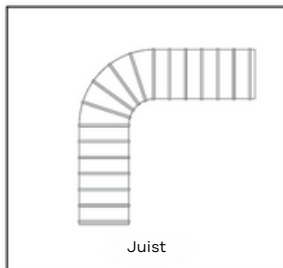
- Om uw afzuigkap efficiënt te gebruiken, trekt u de binnenste rookgasafvoer omhoog door de buitenste rookgasafvoer en schroeft u deze met een 3,5x6,5 RYSB-schroef vast aan de aansluitplaat van de binnenste rookgasafvoer die eerder aan de muur is bevestigd.



- Bevestig het buitenste rookkanaal aan de rookkanaalaansluitingsbeugels (twee boven op de afzuigkap) aan de bovenkant van de afzuigkap met behulp van een 3,5x6,5 RYSB-schroef.



- Gebruik een pijp met een diameter van 120 mm en zo min mogelijk bochten bij het aansluiten van de afzuigkap op de rookgasafvoer. Omdat bochten en kronkels in de aluminium pijp de zuigkracht van de lucht verminderen, dient u het gebruik van bochten en kronkels zoveel mogelijk te vermijden.
- Let op het regelmatig reinigen van het aluminium cassettefilter en de vervangingsintervallen van de koolstoffilters.



BEDIENING EN GEBRUIK VAN DE AFZUIGKAP

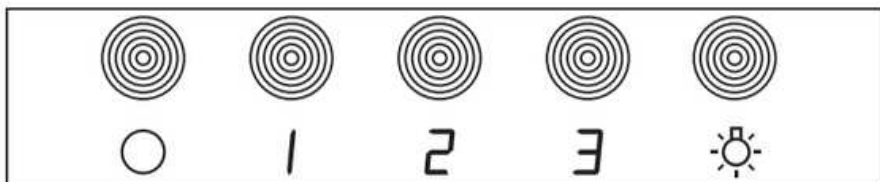
Voorzichtigheid

Voordat u de afzuigkap gebruikt, dient u ervoor te zorgen dat alle mechanische en elektrische aansluitingen zijn gemaakt.

Laat geen vreemde voorwerpen in de afzuigkap achter. Zorg ervoor dat er geen verpakkingsmateriaal in de buurt is.

Verwijder altijd de blauwe beschermtape op de randen van het aluminium cassettefilter in de afzuigkap voordat u deze gebruikt. Als deze tape blijft zitten, kan deze bij blootstelling aan hoge temperaturen vlam vatten en een veiligheidsrisico vormen. Zorg ervoor dat u alle beschermtape volledig hebt verwijderd voordat u het apparaat gebruikt.

MECHANISCHE BESTURING



SNELHEIDSSELECTIE

- De afzuigkap kan op 3 verschillende snelheden werken, afhankelijk van de hoeveelheid stoom die tijdens het koken wordt geproduceerd:
 - Snelheid: Voor lichte stoom en geur
 - Snelheid: Voor gemiddelde stoom- en geuruitstoot
 - Snelheid: Voor intense stoom en geur

Tip: Laat de afzuigkap na het koken nog even aanstaan om de laatste geurtjes te verwijderen.

HOE TE GEBRUIKEN

- Om de afzuigkap in te schakelen, drukt u op knop 1, 2 of 3.
- Druk op knop 0 om het apparaat uit te schakelen.
- Gebruik de knop met het lampicoontje om de verlichting te regelen.

BEDIENING EN GEBRUIK VAN DE AFZUIGKAP

TOUCHSCREENBEDIENING (ECO)



STARTSCHERM

- Wanneer het product is aangesloten, knippen alle pictogrammen tegelijkertijd rood.
- Wanneer u nogmaals op het Aan/Uit-icoontje drukt, worden alle iconen één voor één rood.
- Als er gedurende 1 minuut geen actie wordt ondernomen, worden alle pictogrammen uitgeschakeld.

HOE TE GEBRUIKEN

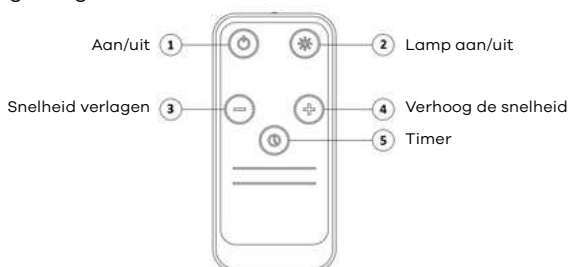
- Om de afzuigkap in te schakelen, raakt u het aan/uit-pictogram aan.
- Afhankelijk van de intensiteit van de stoom die tijdens het koken ontstaat, raakt u één van de hierboven getoonde pictogrammen (1-2-3) aan.
- Het geselecteerde snelheidsniveau en het rode lampje (▶) gaan branden.
- Om de LED-lamp aan/uit te zetten, drukt u op het pictogram Lamp aan/uit. (De lampen van het product kunnen onafhankelijk van de motor worden bediend.)
- Om de afzuigkap na gebruik uit te schakelen, drukt u op het aan/uit-pictogram.

WERKING VAN DE TIMER

- Als de snelheidsstand (1-2-3) lang ingedrukt wordt gehouden, wordt de timer geactiveerd en schakelt de motor na 5 minuten automatisch uit. De lampen blijven branden.

AFSTANDBEDIENING (OPTIONEEL)

Indien uw product over een afstandsbediening beschikt, wordt er 1 afstandsbediening meegeleverd.



BEDIENING EN GEBRUIK VAN DE AFZUIGKAP

EIGENSCHAPPEN VAN HET APPARAAT

- Afzuigkappen worden gebruikt in keukens met of zonder rookkanaal.
- Het product schakelt zichzelf uit als er 6 uur lang geen knop wordt ingedrukt nadat het is gestart.

WERKING MET ROOKKANAAL

- Bij gebruik met een rookgasafvoer moet de afzuigkap op de rookgasafvoer worden aangesloten. Om uw afzuigkap efficiënt te gebruiken, moet het leidingsysteem naar de rookgasafvoer zo kort mogelijk zijn en moet de luchtstroom open zijn. Ons product is ontworpen voor gebruik met een rookgasafvoer.

Let op! Er mogen geen andere luchtkanalen op de afzuigopeningen van de afzuigkap worden aangesloten.

BIJ GEBRUIK ZONDER ROOKKANAAL

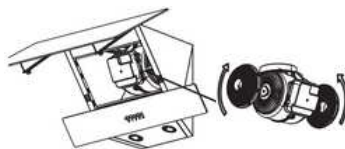
Actief koolstoffilter

In omgevingen waar geen rookgasafvoer naar buiten is, dient een actiefkoolfilter te worden gebruikt om geuren en lucht die binnenshuis ontstaan te filteren en opnieuw in te brengen. De rookgasafvoer van het product mag niet gesloten blijven vanwege contact met het plafond of de kast. Koolstoffilters zijn verkrijgbaar bij onze erkende serviceafdeling.



Vervanging van actief koolstoffilter

Er moeten 2 koolstoffilters in het product worden gebruikt. Om het koolstoffilter te monteren, lijnt u de kanalen op de motorkap en de lipjes op het koolstoffilter uit en draait u ze een halve slag met de klok mee. Draai ze een halve slag tegen de klok in om ze te verwijderen.



REINIGING EN ONDERHOUD

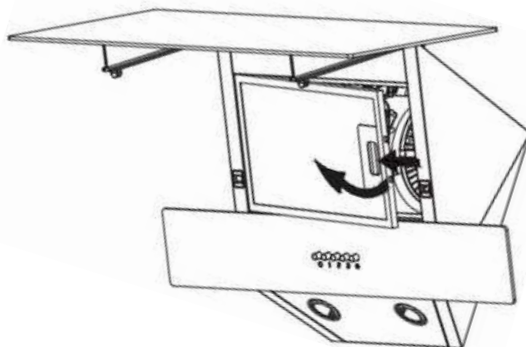
Voordat u onderhouds- en reinigingswerkzaamheden uitvoert, moet u de stekker uit het stopcontact halen of de schakelaar waarop de afzuigkap is aangesloten, uitschakelen.

De oppervlakken van de afzuigkap kunnen worden afgenomen met een doek die is bevochtigd met zeepsop.

Gebruik geen schurende of gevaarlijke chemicaliën. Vermijd contact van elektronische onderdelen met water of soortgelijke materialen. Voor roestvrijstalen producten verlengt het gebruik van in de handel verkrijgbare reinigings- en onderhoudsmiddelen de levensduur van uw product. Aluminium cassettefilters kunnen in de vaatwasser worden gewassen.

Het aluminium cassettefilter moet worden gereinigd met heet zeepsop of, indien mogelijk, uitsluitend in de vaatwasser (maximaal 60 °C) om de paar maanden, afhankelijk van de gebruiksiteintensiteit (ongeveer na 40 uur gebruik). Na het wassen kan de kleur van het aluminium cassettefilter en het frame veranderen. Dit is normaal en heeft geen invloed op de werking van de filters.

Verwijder het aluminium cassettefilter door de veerklem aan het uiteinde in te drukken. Laat het na het reinigen drogen. Installeer het product pas nadat het droog is.



REINIGING EN ONDERHOUD

WASBARE ALUMINIUM CASSETTEFILTERS

Wilt u uw aluminium cassettefilter vervangen? Neem dan contact op met de dichtstbijzijnde erkende service en dien een verzoek in. Vermeld hiervoor het modelnummer van het typeplaatje van uw product. Andere merken en modellen filters die op de markt verkrijgbaar zijn, zijn niet compatibel met uw product.



ALGEMENE INFORMATIE OVER LAMPEN EN LAMPVERVANGING

De afzuigkap is voorzien van een verlichtingssysteem op basis van ledtechnologie. Ledlampen zijn ongeveer 10 keer duurzamer dan conventionele lampen, zorgen voor optimale verlichting en besparen tot wel 90% energie.

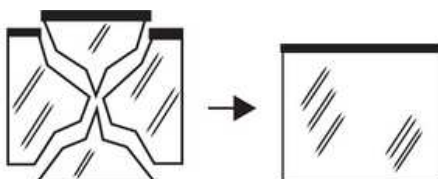
Indien u fysieke vervormingen of problemen ondervindt die betrekking hebben op de lichtprestaties van de afzuigkap, neem dan contact op met een erkende service.

Indien er sprake is van scheuren of breuken op het oppervlak van de lamp, neem dan contact op met een erkende service om een vervanging te regelen.

Indien de lampen vervangen moeten worden, controleer dan onderstaande informatie en vervang ze door een alternatief dat wel aan deze technische specificaties voldoet.

- ILCOS D-code: DBR-1-H (ILCOS D-code volgens IEC 61231-norm)
- LED-module - Doorschijnend plastic
- Nominaal vermogen van elke lamp; 1W
- Maximaal lampvermogen voor potentiële vervanging; 2 x 1W
- Productafmetingen; diameter: 35,8 mm / hoogte: 30 mm

Indien nodig kunt u via uw servicepunt nieuwe lampen krijgen.

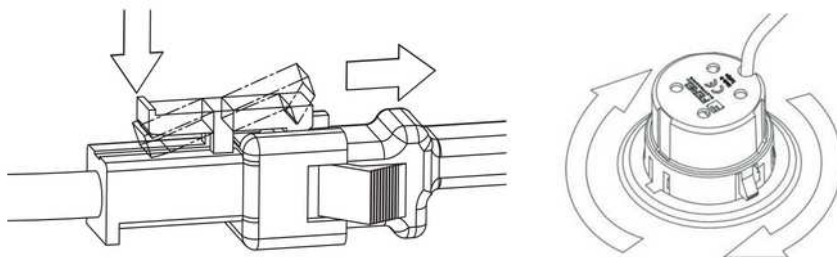


REINIGING EN ONDERHOUD

DE LAMPEN VERVANGEN

Voordat u de lampen vervangt, koppelt u de stroomkabel van de afzuigkap los. Til vervolgens het voorglas omhoog om het aluminium cassettefilter te verwijderen. Vervolgens;

- Nadat u het vergrendelingsmechanisme hebt losgemaakt, drukt u op het plastic lipje aan de achterkant zoals links afgebeeld om de lampfittingen en stekkers van elkaar los te maken
- Draai de twee bevestigingslipjes op de lamp met de klok mee of tegen de klok in, zodat ze uitgelijnd zijn met de openingen in het verlichtingspaneel door de lampbehuizing vast te houden. Zodra de bevestigingslipjes uitgelijnd zijn met de openingen, houdt u de lampbehuizing vast en laat u deze eruit komen. Herhaal alle stappen in omgekeerde volgorde om de lamp te installeren.



SERVICE, RESERVEONDERDELEN, GARANTIE

DE KWESTIES WAAR CONSUMENTEN OP MOETEN LETTEN MET BETREKKING TOT GARANTIE

Bewaar het garantiebewijs. Het product valt buiten de garantie indien het garantiebewijs niet kan worden overgelegd. Hulpcomponenten en accessoires die samen met het product worden aangeschaft, vallen buiten de productgarantie. Materialen waarvan in de gebruiksaanwijzing staat dat ze binnen de gestelde termijn en volgens de gebruiksfrequentie moeten worden vervangen, vallen eveneens niet onder de garantie.

DE VOLGENDE GEVALLEN VALLEN NIET ONDER DE GARANTIE:

- Schade en defecten die het gevolg zijn van installatie- en gebruiksfouten die in strijd zijn met wat in de producthandleiding staat vermeld,
- Schade en storingen die optreden tijdens het laden, lossen en de behandeling nadat het product bij de klant is afgeleverd,
- Schade en storingen die ontstaan door onder- of overspanning, een foutieve elektrische installatie, het gebruik van het apparaat met een andere spanningswaarde dan de spanningswaarde die op het typeplaatje van het product staat vermeld,
- Schade en/of gebreken die ontstaan door brand of blikseminslag,
- Gebreken die het gevolg zijn van gebruik in strijd met de in de gebruiksaanwijzing van het product aangegeven zaken, dienen door de gebruiker in acht te worden genomen.
- Glas breken
- Fouten die het gevolg zijn van interventies of pogingen tot reparatie van het apparaat door anderen dan bevoegd personeel.
- Fouten die optreden doordat een ander onderdeel dan de door de importeur geleverde onderdelen op het apparaat is geïnstalleerd

De verantwoordelijkheid voor het invullen van het garantiecertificaat en het overleggen ervan aan de consument ligt bij de verkopers, dealers, agentschappen of agenten bij wie de consument het product heeft gekocht. Deze garantie vervalt indien het garantiecertificaat beschadigd is, het originele serienummer op het product verwijderd of beschadigd is. Aluminiumfilters die in de afzuigkappen worden gebruikt, moeten worden gereinigd binnen de perioden en met de methoden die in de handleiding staan vermeld. Aanslag of verkleuring op de filters kan na verloop van tijd, afhankelijk van het gebruik, optreden. Deze omstandigheden zijn normaal, hebben geen invloed op de werking en het functioneren van het apparaat en vallen niet onder de garantie. Aanslag, oxidatie en rimpeling op het oppervlak kunnen optreden op roestvrijstalen producten als de waarschuwingen in de handleiding niet worden nageleefd. Deze omstandigheden vallen niet onder de garantie.

SERVICE, RESERVEONDERDELEN, GARANTIE

Waarschuwingen met betrekking tot verzending en transport

- Volg de aanwijzingen op het pakket tijdens de verzending

Indien u vervoer nodig heeft;

- Bewaar de originele verpakking.
- Transporteer het apparaat in de originele verpakking en volg de transportinstructies op de verpakking.

Indien de originele verpakking ontbreekt;

- Plaats geen zware voorwerpen op de motorkap.

SERVICE NA VERKOOP:

Neem contact op met de fabrikant voor informatie over de dichtstbijzijnde erkende serviceagent.

- Wanneer u het product koopt, dient u de garantie ervan door uw erkende dealer te laten goedkeuren.
- Wanneer u een serviceverzoek hebt met betrekking tot uw product, kunt u bellen met de Consumentenhulplijn.
- Vraag de technicus die de service komt uitvoeren om zijn/haar "technicien-ID-kaart" te tonen.
- Vergeet niet om na afloop van de werkzaamheden een "Servicebewijs" te vragen. Dit bewijs is handig als u later opnieuw problemen met het product ondervindt.
- Levensduur: 10 jaar. Gedurende deze periode garandeert de fabrikant dat de benodigde reserveonderdelen voor het product beschikbaar zijn.

ALS DE AFZUIGKAP NIET WERKT:

Voordat u contact opneemt met de service:

Controleer of de stekker van het apparaat in het stopcontact zit en of de zekeringen in orde zijn. Voer geen handelingen uit die het product kunnen beschadigen. Controleer uw afzuigkap aan de hand van tabel 1 voordat u contact opneemt met de servicedienst. Als het probleem aanhoudt, neem dan contact op met de dichtstbijzijnde erkende servicedienst.

Service en reserveonderdelen:

Indien nodig kunt u reserveonderdelen voor uw product verkrijgen bij uw erkende servicecentrum. Wanneer u contact opneemt met uw servicecentrum of dealer, vermeld dan de product- en modelnaam die u op het productlabel kunt vinden, zodat zij reserveonderdelen kunnen aanvragen. U kunt het productlabel zien wanneer u het aluminium filterpatroon verwijdert.

PROBLEEMOPLOSSING

| Probleem | Mogelijke oorzaak | Oplissing |
|---|---|---|
| Apparaat werkt niet. | Het apparaat is mogelijk niet aangesloten. | Controleer of het netsnoer is aangesloten. |
| | Aan/Uit-toets is mogelijk niet ingedrukt. | Druk op de aan/uit-toets. |
| | Mogelijk zit er een vreemd voorwerp vast in de motorventilator. Als de motorbeweging wordt belemmerd, stopt de motor met werken als onderdeel van het beveiligingsscenario. | Het product moet losgekoppeld zijn van de stroomvoorziening. Nadat de stroom is uitgeschakeld, moet het vreemde voorwerp dat vastzit aan de ventilator en de beweging ervan belemmert, worden verwijderd. |
| De verlichting werkt niet. | Het apparaat is mogelijk niet aangesloten. | Controleer of het netsnoer is aangesloten. |
| | Mogelijk werkt de toets van het apparaat niet. | Controleer de knop. |
| | Lamp is mogelijk defect | Vervang de lamp |
| De prestaties van het apparaat zijn niet optimaal of het apparaat maakt te veel lawaai tijdens gebruik. | Als u de afzuigkap zonder rookkanaal gebruikt, kunnen de koolstoffilters ouder zijn dan 4 maanden. | Vervang de koolstoffilters. |
| | Het kan zijn dat er niet genoeg verse lucht in uw keuken komt om een goede luchtstroom te garanderen. | Zorg voor ventilatie door ramen te openen. |
| | De luchtuitlaat kan gedeeltelijk of volledig geblokkeerd zijn. | Controleer of de luchtafvoer vrij is. |

Let op: Als u het probleem ondanks het volgen van de instructies in dit gedeelte niet kunt oplossen, kunt u contact opnemen met de dichtstbijzijnde erkende service of ondersteuning krijgen van ons callcenter.

<https://wiggo.eu/support/services/>

PRODUCTBLAD

| Productcode | | WE-A531G | WE-A532G | WE-A533G |
|---|------------|--|--|--|
| Producttype | | Gebogen gebogen | Gebogen gebogen | Gebogen gebogen |
| Breedte (mm)/Kleur | | 50 cm / Zwart | 50 cm / Zwart | 50 cm / Zwart |
| Controletype | | ECO Touch-bediening | ECO Touch-bediening | ECO Touch-bediening |
| Totaal vermogen van de motor (W) | | 1 x BLDC330 34W | 1 x BLDC330 34W | 1 x BLDC330 34W |
| Spanning/Frequentie | | 220-240V 50Hz | 220-240V 50Hz | 220-240V 50Hz |
| Stekkertype | | EU-type | EU-type | EU-type |
| Motortype | | Koperdraadwikkelmotor | Koperdraadwikkelmotor | Koperdraadwikkelmotor |
| Snelheidsniveau | | 3 | 3 | 3 |
| Hoeveelheid glas / Kleur | | 1 / Zwart | 2 / Zwart | 3 / Zwart |
| Luchtsysteem | | Dubbel geventileerd systeem Luchtuitlaat | Dubbel geventileerd systeem Luchtuitlaat | Dubbel geventileerd systeem Luchtuitlaat |
| Diameter van de luchtuitlaat (mm) | | 120 | 120 | 120 |
| Aantal schoorstenen en kleur | | 2 / Zwart | 2 / Zwart | 2 / Zwart |
| Schoorsteenlengte (mm) | | 300 | 300 | 300 |
| Koolstoffiltertype | | Optioneel | Optioneel | Optioneel |
| Metaalfilter | | 3-laags aluminiumfilter | 3-laags aluminiumfilter | 3-laags aluminiumfilter |
| Verlichtingstype | | 2 x 1W ledlamp (6500K) | 2 x 1W ledlamp (6500K) | 2 x 1W ledlamp (6500K) |
| Jaarlijks energieverbruik, AECheer | [kWh/jaar] | 12,6 | 13,1 | 12,2 |
| Energie-efficiëntieklasse | | A+ | A+ | A+ |
| Vloeistofdynamische efficiëntie, GFE-afzuigkap | [%] | 19,4 | 18,9 | 19,4 |
| Vloeistofdynamische efficiëntieklasse | | C | C | C |
| Lichtrendement, LE-afzuigkap | [lux/W] | 39 | 37 | 40 |
| Lichtrendementklasse | | A | A | A |
| Vetfilterefficiëntie, GFE-afzuigkap | [%] | 52 | 61 | 67 |
| Vetfilter efficiëntieklasse | | F | EN | D |
| 1e snelheid vermogen bij normaal gebruik | [m3/u] | 147 | 142 | 147 |
| 2e snelheid vermogen bij normaal gebruik | [m3/u] | 218 | 215 | 226 |
| 3e snelheid vermogen bij normaal gebruik | [m3/u] | 260 | 259 | 265 |
| 4e snelheid vermogen bij normaal gebruik | [m3/u] | - | - | - |
| Luchtstroom bij intensieve/boost-stand | [m3/u] | - | - | - |
| A-gewogen geluidsvermogens emissie bij 1 snelheid | [dB(A)] | 36 | 42 | 41 |
| A-gewogen geluidsvermogens emissie bij 2 snelheden | [dB(A)] | 50 | 51 | 51 |
| A-gewogen geluidsvermogens emissie bij 3 snelheden | [dB(A)] | 55 | 56 | 56 |
| A-gewogen geluidsvermogens emissie bij 4 snelheden | [dB(A)] | - | - | - |
| A-gewogen geluidsvermogens emissie bij intensieve/boost-snelheid | [dB(A)] | - | - | - |
| Stroomverbruik uitgeschakelde stand, PO | [IN] | N.v.t. | N.v.t. | N.v.t. |
| Stroomverbruik in stand-by modus, PS | [IN] | 0,4 | 0,41 | 0,4 |
| Tijdstoenamefactor, f | | 1,3 | 1,3 | 1,3 |
| Energie-efficiëntie-index, EEI | | 43,2 | 44,4 | 42,5 |
| Gemeten luchtstroom bij Best Efficiency Point, QBEP | [m3/u] | 150 | 156,5 | 162,8 |
| Gemeten luchtdruk op het beste efficiëntiepunt (PBEP) | [Goed] | 120 | 112 | 110 |
| Maximale luchtstroom, Qmax | [m3/u] | 260 | 259,1 | 265,1 |
| Gemeten elektrisch vermogen op het beste efficiëntiepunt (WBEP) | [IN] | 25,7 | 25,9 | 25,7 |
| Nominaal vermogen van het verlichtingssysteem W _{verlichting} | [IN] | 2 | 2 | 2 |
| Gemiddelde verlichting van het verlichtingssysteem op het kookoppervlak E _{middle} | [lux] | 79 | 74 | 80 |
| Nettogewicht | [kg] | | | |
| Brutogewicht | [kg] | | | |
| Hoeveelheid per vrachtwagen / 40HC | [stuks] | 1056/858 | 1056/858 | 1056/858 |
| Pakkettype | | Foem ondersteunde kartonnen doos | Foem ondersteunde kartonnen doos | Foem ondersteunde kartonnen doos |
| Ontvlambaarheid van kunststoffen | | brandwerende kunststof onderdelen | brandwerende kunststof onderdelen | brandwerende kunststof onderdelen |

WIGGO

Algemene service- en garantievvoorwaarden (mei 2024)

Deze service- en garantievvoorwaarden zijn van toepassing op de aankopen van Wiggo keukenapparatuur in de Benelux na 1 mei 2024. Wij zijn toegewijd aan uitstekende klantenservice en productkwaliteit; voor vragen of vvoorwaarden op voorgeaande aankopen, bezoek www.wiggo.eu.

Artikel 1: Garantie

Bij Wiggo zetten we ons in voor de uitstekende kwaliteit en duurzaamheid van onze keukenapparatuur, en streven we naar een naadloze klantbeleving. Bij problemen bieden we een passende oplossing, van reparatie tot vervanging, om je tevredenheid te garanderen.

Defect ontdekt? Meld dit via ons serviceportal op www.wiggo.eu/services voor snelle ondersteuning. Onze garantievvoorwaarden bieden je vijf jaar zekerheid na aankoop van onze apparatuur.

Artikel 2: Uitsluitingen van de Garantie

Hoewel we achter de kwaliteit van onze keukenapparatuur staan, zijn er enkele gevallen waarbij de garantie niet van toepassing is:

- Keukenapparatuur die niet als 'nieuw' zijn aangekocht.
- Gebreken of schade aan een huishoudapparaat die worden gemeld bij Wiggo na de garantieperiode van 5 jaar.
- Gebruik in een niet-huishoudelijke omgeving of voor zakelijke doeleinden.
- Op de levering van gebruiksgoederen, onderdelen en toebehoren.
- Ongeautoriseerde reparaties en/of gebruik van niet-officiële onderdelen.
- Keukenapparatuur: zonder leesbare identificatienummers, gekocht buiten de Benelux, verkocht als B-keus of als showroom model.
- Beschadigingen, normale slijtage of kleine afwijkingen die het functioneren niet beïnvloeden.
- Schade of gebreken aan accessoires, deurafdichtingen en breekbare elementen zoals glas, kunststof en lampen.
- Schade of gebreken door waterschade of andere stoffen waar het product niet tegen bestand is, zoals bijvoorbeeld verkeerde reinigingsmiddel gebruiken.
- Schade of gebreken door verkeerd gebruik, bediening, belasting, montage en/of onderhoud.
- Schade of gebreken buiten het apparaat, inclusief gevolgschade en indirecte schade.
- Schade of gebreken veroorzaakt door handelingen niet conform de handleiding.
- Schade of verlies normaal gedekt door inboedelverzekering.
- Schade of gebreken door stroom- en spanningsschommelingen, die buiten het door Wiggo aangegeven tolerantiebereik liggen.
- Schade of gebreken veroorzaakt door nalatigheid van de gebruiker.
- Schade ontstaan door of ten gevolge van een van buiten komende oorzaak.

Artikel 3: Garantieverzoek

- Problemen met je product? Meld het snel, uiterlijk binnen 48 uur, via www.wiggo.eu/services.
- Stuur ons een kopie van je aankoopbewijs, want dat is

Garantievvoorwaarden

noodzakelijk voor je garantieclaim.

- Wij houden je op de hoogte over de afhandeling via e-mail of telefoon.
- Bij omruiling blijft de originele garantieperiode van kracht.
- De vervangen onderdelen en apparaten worden eigendom van Wiggo.

Artikel 4: Service na garantieperiode

- Probleem met je keukenapparatuur na de garantieperiode? Vul het serviceformulier in op www.wiggo.eu/services.
- Verzendkosten en/of voorrijkosten voor onderzoek, reparatie, onderdelen zijn voor jouw rekening.
- We geven vooraf een kostenindicatie voor controle en reparatie. Bij goedkeuring sturen we een betaalverzoek en plannen we vervolgens een afspraak in.
- Eventuele extra kosten worden na reparatie duidelijk.
- Betaling aan de geautoriseerde servicemonteur is gemakkelijk via een QR-code of betaalverzoek te voldoen.

Artikel 5: Claims

Naast eventuele rechten die voortvloeien uit wettelijke garanties of andere garanties die je hebt afgesloten, heb je geen recht op andere claims dan wat in deze garantie wordt genoemd.

Artikel 6: Internationaal Gebruik

Neem je Wiggo apparaat mee over de grens? De garantie geldt dan niet meer. Check lokale garanties en zorg dat je apparaat past bij de technische eisen (zoals spanning, frequentie, gassoort, etc.) en klimatologische omstandigheden daar.

Artikel 7: Servicebezoek en Onderhoud

- Als de monteur constateert dat er geen daadwerkelijk probleem is (het product werkt zoals het hoort), worden de kosten van het monteursbezoek bij je in rekening gebracht. Deze kosten zijn gebaseerd op de geldende tarieven op dat moment.
- Apparaten die niet werken of defect zijn, moeten leeg en schoon zijn wanneer de geautoriseerde servicemonteur langskomt voor reparatie of omruiling. Als dit niet het geval is, kan de monteur of vervoerder de omruiling weigeren en kosten hiervoor in rekening brengen.
- Betaling aan de geautoriseerde servicemonteur is gemakkelijk via een QR-code of betaalverzoek te voldoen.

Artikel 8: Aansprakelijkheid

Wij zijn alleen aansprakelijk tot het bedrag gedekt door onze verzekering. Let op: voor niet-Wiggo keukenapparatuur of late annuleringen (minimaal 24 uur van tevoren) worden kosten in rekening gebracht. Deze kosten zijn gebaseerd op de geldende tarieven op dat moment.

Artikel 9: Gegevensbescherming

Bij de serviceverlening verzamelt en verwerkt Wiggo persoonsgegevens. Meer informatie hierover is te vinden op www.wiggo.eu.

Artikel 10: Recht en Geschillen

Deze garantie- en servicevoorwaarden vallen onder het Nederlands recht, met uitzondering van het Weens Koopverdrag. Geschillen worden beslecht door de bevoegde Nederlandse rechter.



www.wiggo.eu

Bezoek onze website!

WIGGO



INSTRUCCIONES MANUAL

CAMPANA EXTRACTORA DE VIDRIO

- Instrucciones de seguridad
- Instrucciones de instalación
- Operación del producto

Modelos

WE-A531G

WE-A532G

WE-A533G

Manual del usuario

wiggo.eu

5 AÑOS
GARANTÍA

¡Gran saludo!



¡Únete a nuestra comunidad!

Gracias por permitirnos cocinar contigo y ser parte de tu cálida cocina. Estamos tremendamente felices de tenerte dentro de nuestra comunidad Wiggo y no podemos esperar para llevar más positividad a tu hogar.

Sé creativo y tómate un selfie con tu nuevo compañero de cocina para ganar increíbles premios con nosotros.

¡No olvides etiquetarnos! @wiggo_eu

¡A comidas frescas!

¡Obtén todo el apoyo que necesitas!



ESCANÉAME A

¡Obtenga la versión más actualizada de este manual!

wiggo.eu/support/downloads/



ESCANÉAME A

¡Registre su producto!

wiggo.eu/support/register/



ESCANÉAME A

¡Lea las condiciones de garantía!

docs.wiggo.eu/libros/mzsp/



ESCANÉAME A

¡Rellene el formulario de solicitud de servicio!

Wiggo.eu/support/services/service-request-form/



ESCANÉAME A

¡Rellene el formulario de solicitud de piezas!

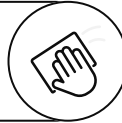
Wiggo.eu/support/services/part-request-form/

NUESTROS SERVICIOS

Entrega
rápida



Mantenimiento



Reparación
rápida



Instalación



¡Lea primero el manual del usuario!

Estimado cliente,











Nuestro objetivo es garantizar un uso seguro y eficiente de nuestro producto, fabricado con altos estándares de calidad en instalaciones modernas, para su cocina. Para garantizarle la mejor experiencia, le recomendamos encarecidamente que lea atentamente este manual y los documentos adjuntos antes de usarlo.

Al tener en cuenta todas las instrucciones, advertencias de seguridad e información técnica de este manual, podrá protegerse y proteger su producto de posibles riesgos. Preste especial atención a las conexiones eléctricas, las sugerencias de limpieza y las instrucciones de uso correcto.

No olvide guardar el manual de usuario. Si entrega el producto a otro usuario, asegúrese de incluirlo también. En este manual se detallan las condiciones de la garantía, los consejos de mantenimiento y los métodos de solución de problemas de su campana extractora.

Explicación de los símbolos:

En este manual de usuario se utilizan los siguientes símbolos.

| | | | |
|---|--|---|---|
|  | Advertencia de descarga eléctrica |  | Advertencia de peligro de incendio |
| | Este símbolo indica que existe peligro para la vida y la salud de las personas debido al voltaje. | | Advertencia de peligro de incendio |
|  | Peligro |  | Información |
| | Este símbolo indica que existen peligros para la vida y la salud de las personas debido a gases extremadamente inflamables. | | Información importante o instrucciones útiles sobre el uso de este dispositivo |
|  | Precaución |  | Advertencia |
| | La palabra clave indica un peligro con un bajo grado de riesgo que, si no se evita, puede provocar lesiones leves o moderadas. | | La palabra clave indica un peligro con un nivel de riesgo medio que, si no se evita, puede provocar la muerte o lesiones graves. |
|  | Atención |  | Observe las instrucciones |
| | La palabra clave indica información importante (por ejemplo, daños a la propiedad), pero no peligro. | | Este símbolo indica que un técnico de servicio solo debe operar y mantener este aparato de acuerdo con las instrucciones de funcionamiento. |
|  | Advertencia sobre superficies calientes |  | Marcado CE |
| | Advertencia sobre superficies calientes | | A partir de la fecha de fabricación, este producto ha sido probado y se ha comprobado que cumple con las especificaciones del marcado CE. |



Contenido

PRESUPUESTO

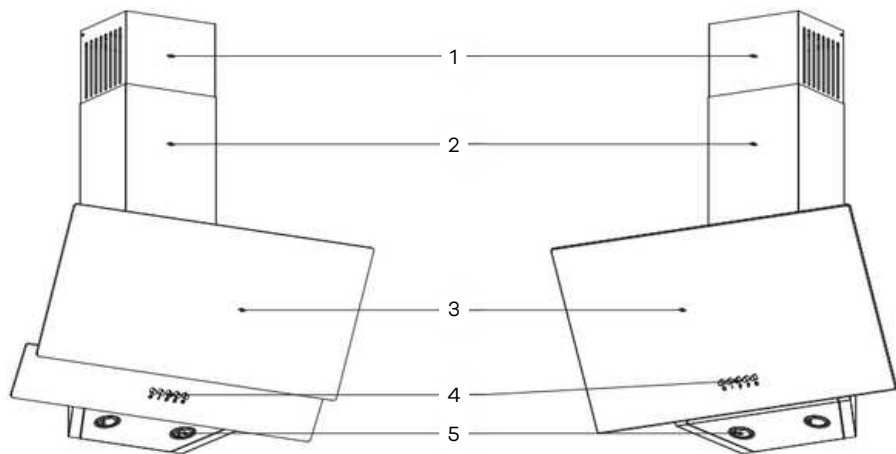
INFORMACIÓN DE SEGURIDAD

INSTALACIÓN

OPERACIÓN Y USO DE LA CAMPANA

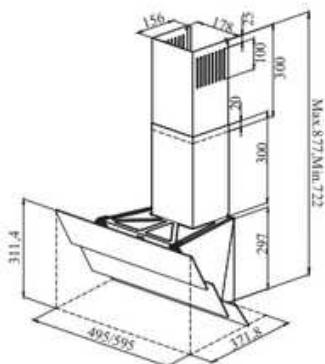
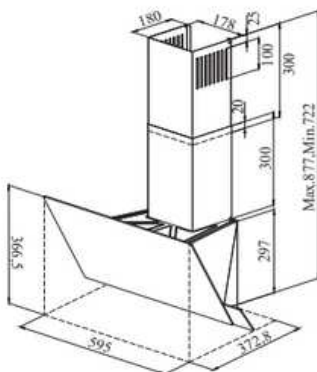
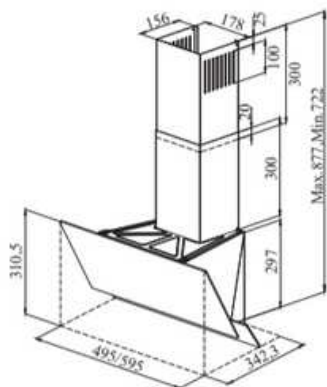
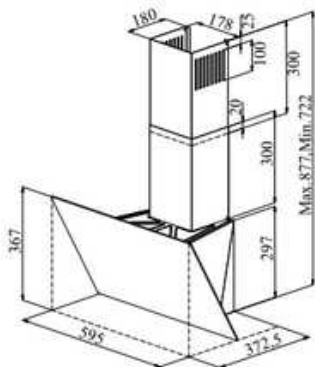
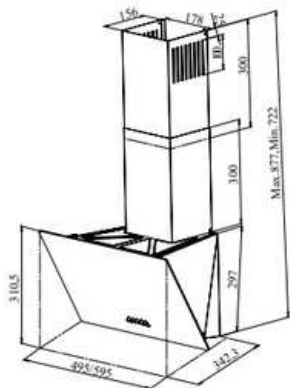
SERVICIO, PIEZAS ESPACIALES, GARANTÍA

PRESUPUESTO



| | |
|---|---------------------------------------|
| 1 | Conducto interior regulable en altura |
| 2 | Conducto exterior fijo |
| 3 | Conducto exterior fijo |
| 4 | Panel de control |
| 5 | Iluminación |

PRESUPUESTO



ESPECIFICACIONES TÉCNICAS

| | |
|---|--------------------------------|
| Voltaje y frecuencia | 110-240 V CA, 50/60 Hz |
| Potencia total del producto | Mín. 2 W, Máx. 36 W |
| Potencia del motor | 34W |
| Potencia de la lámpara | 2 x 1 W |
| Voltaje de funcionamiento de la lámpara | 12 VCC |
| Panel de control | 3 configuraciones de velocidad |
| Diámetro de conexión de salida de aire. | Ø120 mm |
| Ancho del producto | 495-595 milímetros |
| Profundidad del producto | 344-373 milímetros |
| Altura del producto | 597 mm - 877 mm |

INFORMACIÓN DE SEGURIDAD

Advertencias generales

- Este producto está diseñado para uso doméstico. Su uso con fines comerciales o industriales anula la garantía y puede suponer un riesgo para la seguridad.
- La instalación del producto por parte de personas no autorizadas puede reducir su rendimiento, causar daños permanentes e incluso accidentes. Por lo tanto, recomendamos encarecidamente que la instalación la realice únicamente personal de servicio autorizado.
- Utilice el aparato únicamente de acuerdo con las instrucciones especificadas en el manual del usuario.
- No realice conexiones al aparato si presenta daños durante el envío.

Uso previsto

- El aparato está diseñado para filtrar o expulsar eficazmente el vapor, el humo, las partículas de grasa y los olores no deseados que se producen durante la cocción en la cocina.

Restricción de grupos de usuarios

- Este aparato puede ser utilizado por niños de 8 años o más, personas sin ninguna deficiencia física, sensorial o mental o personas sin falta de experiencia o conocimientos; siempre que se les proporcione supervisión o instrucciones para el uso seguro del aparato y comprendan los peligros.

SEGURIDAD GENERAL

ADVERTENCIA - ¡PELIGRO DE ASFIXIA!

- Los materiales de embalaje son peligrosos para los niños. Nunca permita que jueguen con ellos.
- Mantenga las piezas pequeñas fuera del alcance de los niños. No permita que jueguen con ellas.

ADVERTENCIA - ¡PELIGRO DE ELECTROCUCIÓN!

- Nunca se deben utilizar aparatos defectuosos o dañados.
- Si el aparato o el cable de conexión a la red están defectuosos, se debe desenchufar inmediatamente o apagar el fusible de la caja de fusibles.
- Para su propia seguridad y la del producto, utilice un fusible "Máximo 6A" en la instalación eléctrica a la que está conectada la campana.
- Las reparaciones incorrectas son peligrosas. Solo personal capacitado en este proceso puede realizar reparaciones en el aparato.
- Al reparar el aparato se deben utilizar únicamente piezas de repuesto originales.

- Si el cable eléctrico del aparato está dañado, debe ser reemplazado por personal cualificado. Nunca toque el enchufe con las manos mojadas.
- Para desenchufar el aparato, no sujete el cable del enchufe sino su cuerpo.
- Se debe desenchufar el aparato o apagar el fusible de la caja de fusibles antes de limpiarlo.
- No utilice limpiadores a vapor ni limpiadores de alta presión para limpiar el aparato.
- Las piezas afiladas dentro del aparato pueden dañar el cable de conexión.
- El cable de conexión no debe doblarse ni pellizcarse.
- El aparato sólo debe conectarse a una red eléctrica de corriente alterna a través de una toma de corriente con conexión a tierra instalada de acuerdo con las normas.
- Durante la instalación del aparato, asegúrese de que el cable eléctrico no quede atrapado ni dañado.
- El enchufe eléctrico de la línea de conexión a la red debe ser fácilmente accesible después de la instalación del aparato.
- Si esto no es posible, se debe instalar un conjunto de desconexión multipolar de acuerdo con las condiciones de la categoría de protección contra sobretensiones III y las normas de instalación para la instalación eléctrica fija.
- La instalación eléctrica fija debe ser realizada exclusivamente por un técnico electricista. Le recomendamos instalar un dispositivo de corriente residual (RCD) en el circuito de alimentación.
- El aparato está dentro de la clase de protección 1. Por lo tanto, solo debe utilizarse con tomas de corriente con conexión a tierra.
- No conecte la electricidad antes de completar la instalación de la campana.

ADVERTENCIA - ¡PELIGRO DE INCENDIO!

- El cable enchufado no debe colocarse cerca de la cocina ya que podría derretirse debido a las altas temperaturas y provocar un incendio.
- Los residuos de aceite en los filtros de aceite pueden incendiarse. Nunca utilice el aparato sin el filtro de aceite.
- El filtro de aceite debe limpiarse periódicamente.
- No se debe utilizar bajo ninguna circunstancia llamas abiertas cerca del aparato (por ejemplo, cocinar con una llama).
- Se deben respetar las distancias de seguridad especificadas para evitar deformaciones por calor, daños permanentes o situaciones que puedan comprometer la seguridad del producto y del usuario.
- Tras la instalación de la campana extractora, la distancia mínima entre el producto y cualquier cocina eléctrica debe ser de 60 cm, y de 65 cm entre este y cualquier cocina de gas o que utilice otros combustibles inflamables. Si su cocina tiene componentes eléctricos y de gas, debe respetarse la distancia mínima especificada para cocinas de gas. Asimismo, si se especifica una distancia mayor en las instrucciones de instalación para cocinas de gas, siga estas instrucciones principalmente.
- Los aceites y grasas calientes se incendian fácilmente. Nunca deben dejarse desatendidos.
- El aceite que se incendia nunca debe apagarse con agua. La placa de cocción debe cubrirse. Extinga las llamas cuidadosamente con una cubierta, una manta ignífuga o un material similar.

ADVERTENCIA - ¡PELIGRO DE QUEMADURAS!

- Deje que el aparato se enfríe antes de realizar cualquier limpieza o mantenimiento. Desconecte el fusible y desenchufe el aparato de la toma de corriente.
- No toque las zonas calientes bajo ninguna circunstancia.

ADVERTENCIA - ¡PELIGRO DE LESIONES!

- Las piezas del interior del aparato pueden tener bordes afilados. Por lo tanto, debe limpiarse cuidadosamente el interior.
- Los objetos colocados sobre el aparato pueden caerse; no coloque ningún objeto sobre el aparato.
- Realizar modificaciones eléctricas o mecánicas es peligroso y puede causar fallos de funcionamiento. No realice modificaciones eléctricas ni mecánicas.
- La luz de la iluminación LED es muy brillante y puede dañar la vista. No mire directamente las luces LED en funcionamiento durante más de 60 segundos.
- Si el aparato no está bien fijado, podría caerse. Todos los elementos de fijación deben estar bien apretados y montados.
- El aparato es pesado; se necesitan 2 personas para moverlo.
- Utilice únicamente materiales auxiliares adecuados.
- El aparato no debe montarse directamente sobre paneles de yeso o materiales de construcción livianos similares.
- Para un correcto montaje se deberá utilizar un material suficientemente estable y adecuado al entorno de construcción y al peso del aparato.

ADVERTENCIA - ¡PELIGRO DE ENVENENAMIENTO!

- Los gases inflamables reaspirados pueden causar intoxicación. Los calentadores de agua con ventilación (por ejemplo, calentadores de gas, petróleo, leña o carbón, calentadores de ducha y calentadores de agua) toman el aire de combustión del lugar de instalación y descargan los gases residuales a través de un sistema de gases residuales (por ejemplo, un conducto de humos).
- Cuando la campana extractora está activa, absorbe el aire de la cocina y las habitaciones vecinas. Si no se proporciona una entrada de aire adecuada, se genera vacío. En este caso, los gases tóxicos se absorben del conducto de humos y gases residuales, y se conducen de nuevo a la puerta. Asegúrese de que el aparato esté siempre ventilado cuando se utilice con una cocina conectada al aire ambiente en el modo de aire sucio.

PROTECCIÓN DEL MEDIO AMBIENTE



Este aparato cumple con la Directiva Europea 2012/19/CE sobre Residuos de Aparatos Eléctricos y Electrónicos (RAEE). Al garantizar la correcta eliminación de este producto, evitará posibles efectos negativos para el medio ambiente y la salud humana derivados de una manipulación inadecuada.



El símbolo en el producto o en la documentación que lo acompaña indica que este aparato no debe tratarse como residuo doméstico. Debe entregarse en un punto de recogida de reciclaje designado para este tipo de aparatos eléctricos y electrónicos. El proceso de eliminación de residuos debe llevarse a cabo de acuerdo con la normativa ambiental local. Para obtener información detallada sobre las condiciones de reciclaje de este producto, consulte con el departamento correspondiente de su municipio, el servicio de recogida de residuos o el vendedor del producto.

INSTALACIÓN

ANTES DE DESEMBALAR EL APARATO:

Asegúrese de que su instalación eléctrica sea adecuada. Si tiene dudas, solicite a un electricista cualificado que realice las gestiones necesarias. Es responsabilidad del cliente preparar el lugar donde se instalará el producto, así como la instalación eléctrica. Durante la instalación del producto, se deben seguir las normas locales sobre instalaciones eléctricas. Compruebe si el producto presenta daños antes de instalarlo. No lo instale si está dañado. Los productos dañados suponen un riesgo para su seguridad.

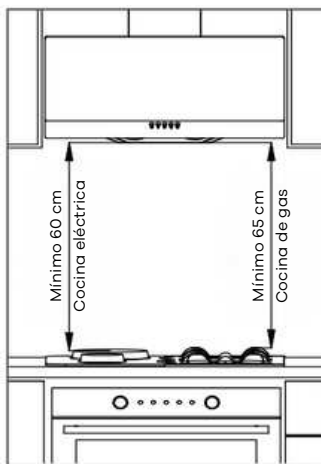
¡ADVERTENCIA! Una buena ventilación de la habitación es fundamental para el funcionamiento seguro del producto. Si no hay ventanas disponibles para la ventilación, se debe proporcionar ventilación adicional (por ejemplo, abriendo una rejilla de ventilación en la ventana). Si tiene una rejilla de ventilación en la cocina, no la bloquee. Compruebe el estado de los demás materiales (por ejemplo, accesorios de montaje, manual de usuario) dentro de la campana, retírelos y guárdelos en un lugar separado. Nunca los guarde dentro de la campana. No instale el aparato sobre superficies como azulejos, vidrio o silicona. Instálo únicamente en la pared.

¡No permita que los niños jueguen con los materiales de embalaje!

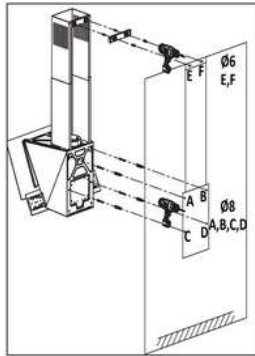
INSTALAR EL APARATO

Siga los pasos a continuación para instalar el producto.

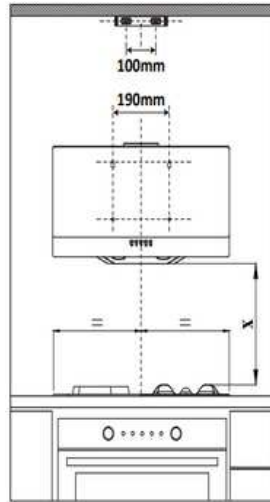
Posición del aparato: Después de completar la instalación de la campana, la distancia debe ser de 60 cm entre el producto y cualquier cocina eléctrica; y de 65 cm entre éste y cualquier cocina a gas o que quemee otros combustibles.



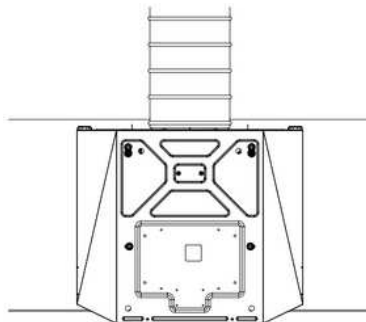
- Taladre agujeros en la pared con una broca de $\varnothing 8$ mm (A, B, C, D) e inserte tacos de plástico de $\varnothing 8$ mm en estos agujeros que taladró utilizando la plantilla de instalación junto al equipo de instalación dentro de la caja del producto.
- Taladre en la pared los agujeros para la placa de conexión del conducto interior de humos con una broca de $\varnothing 6$ mm (E,F) e introduzca en dichos agujeros tacos de plástico de $\varnothing 6$ mm teniendo en cuenta la altura del área de instalación.
- Apriete 2 de los tornillos 4.8x50 a los tacos en los puntos A y B. Asegúrese de mantener una distancia de 5 mm entre la cabeza del tornillo y la pared.
- Fije la placa de conexión del conducto interior de humos a las clavijas de $\varnothing 6$ mm en los puntos E y F que ha clavado en la pared utilizando tornillos RYSB de 3,9 x 22.



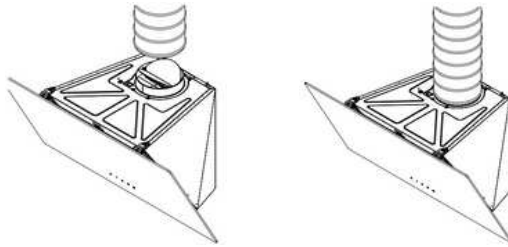
Placa de conexión de conducto de humos interior



- Cuelgue la campana insertando las ranuras para colgar en los tornillos que montó previamente en los orificios A y B, dejando un espacio de 5 mm entre las cabezas de los tornillos y la superficie de la pared.



- Tras abrir la cubierta de vidrio de la campana, retire el filtro de casete de aluminio. A continuación, fije el producto apretando los otros tornillos YSB de 4,8 x 50 en las clavijas de plástico visibles desde el interior del producto, en los orificios C y D.
- Conecte la campana extractora al tubo de aluminio. Después de deslizar el tubo flexible de aluminio sobre el conducto de humos de plástico, fíjelo con un sujetacables o una abrazadera de plástico, sin apretarlo demasiado. Inserte el otro extremo del tubo en el orificio del conducto de humos.
- Antes de conectar la tubería, revise las aletas de plástico de la salida de aire del producto. Encienda la campana extractora antes de conectar la tubería y asegúrese de que las aletas se muevan hacia arriba y permitan la salida del aire. De lo contrario, cambie la dirección de las aletas.

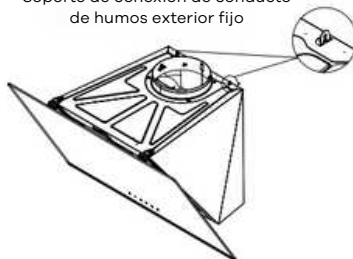


- Apretar demasiado el sujetacables de plástico o la abrazadera utilizada al conectar la tubería puede impedir el funcionamiento de las aletas. Por ello, antes de conectar la tubería a la chimenea de su casa, compruebe el correcto funcionamiento de las aletas haciendo funcionar la campana.
- Inserte con cuidado el conducto exterior en el conducto interior.

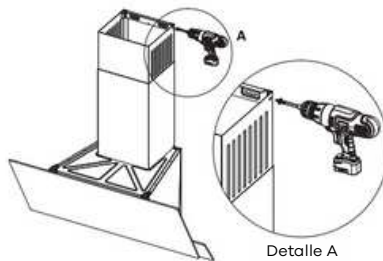


- Para utilizar su campana eficientemente; Tire del conducto interior hacia arriba a través del conducto exterior y atornillelo a la chapa de conexión del conducto interior previamente fijada a la pared utilizando un tornillo RYSB de 3,5 x 6,5.

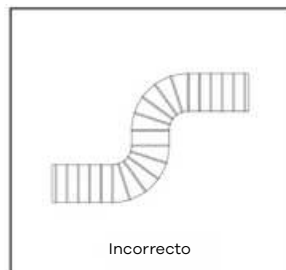
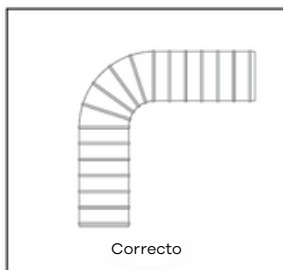
Soporte de conexión de conducto exterior fijo



- Fije el conducto de humos exterior a los soportes de conexión del conducto de humos (dos en la parte superior de la campana) en la superficie superior de la campana usando un tornillo RYSB de 3,5 x 6,5.



- Utilice un tubo de 120 mm de diámetro y el menor número de codos posible al conectar la campana a la chimenea. Dado que las torceduras y curvas en el tubo de aluminio reducen la potencia de aspiración del aire, evite usarlas en la medida de lo posible.
- Preste atención a la limpieza periódica del filtro de casete de aluminio y a los intervalos de sustitución de los filtros de carbón.



FUNCIONAMIENTO Y USO DE LA CAMPANA

Precaución

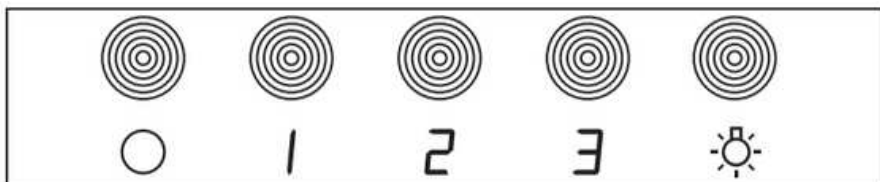
Antes de operar la campana, asegúrese de que todas las conexiones mecánicas y eléctricas estén realizadas.

No deje objetos extraños dentro de la campana. Asegúrese de que no haya materiales de embalaje cerca.

Antes de usar la cinta protectora azul de los bordes del filtro de casete de aluminio de la campana, retírela siempre. Si la cinta permanece puesta, podría incendiarse al exponerse a altas temperaturas y representar un riesgo para la seguridad.

Asegúrese de haber retirado completamente todas las cintas protectoras antes de utilizar el aparato.

CONTROL MECÁNICO



SELECCIÓN DE VELOCIDAD

- La campana puede funcionar a 3 velocidades diferentes según el nivel de vapor producido durante la cocción:
 - Velocidad: Para vapor ligero y olor.
 - Velocidad: Para vapor y olor medios.
 - Velocidad: Para vapor intenso y olor.

Sugerencia: Una vez finalizada la cocción, deje funcionar la campana durante un rato más para eliminar los olores restantes.

CÓMO UTILIZAR

- Para encender la campana, presione el botón 1, 2 o 3.
- Presione el botón 0 para apagarlo.
- Utilice el botón con el icono de la lámpara para controlar la iluminación.

FUNCIONAMIENTO Y USO DE LA CAMPANA

CONTROL DE PANTALLA TÁCTIL (ECO)



PANTALLA DE INICIO

- Cuando el producto está enchufado, todos los íconos parpadean en rojo al mismo tiempo.
- Cuando se presiona nuevamente el ícono de Encendido/Apagado, todos los íconos se volverán rojos uno por uno.
- Si no se realiza ninguna acción durante 1 minuto, todos los íconos se apagarán.

CÓMO UTILIZAR

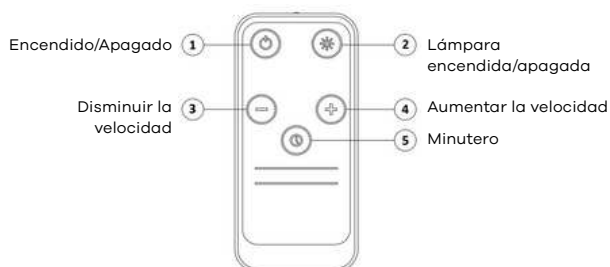
- Para encender la campana, toque el ícono de Encendido/Apagado.
- Dependiendo de la intensidad del vapor que se produzca durante la cocción, toque uno de los iconos (1-2-3) que se muestran arriba.
- Se encenderá el nivel de velocidad seleccionado y la luz roja (►).
- Para encender o apagar la lámpara LED, pulse el icono de encendido/apagado. (Las lámparas del producto pueden funcionar independientemente del motor).
- Para apagar la campana después de usarla, presione el ícono de Encendido/Apagado para apagarla.

FUNCIONAMIENTO DEL TEMPORIZADOR

- Si se presiona el nivel de Velocidad (1-2-3) durante un tiempo prolongado, el temporizador se activará y apagará automáticamente el motor después de 5 minutos; las lámparas permanecerán encendidas.

CONTROL REMOTO (OPCIONAL)

Si su producto tiene un control remoto, se suministrará con 1 control remoto.



FUNCIONAMIENTO Y USO DE LA CAMPANA

PROPIEDADES DEL ELECTRODOMÉSTICO

- La campana extractora se utiliza en cocinas con o sin conducto de humos.
- El producto se apagará automáticamente después de 6 horas si no se presiona ningún botón después de iniciarlo.

OPERACIÓN CON CHIMENEA

- Al operar con conexión de humos, la campana extractora debe estar conectada a este. Para un uso eficiente de la campana, el sistema de tuberías que conduce al humos debe tener la menor longitud posible y el flujo de aire debe estar despejado. Nuestro producto está diseñado para funcionar con un conducto de humos.

¡Advertencia! No se pueden conectar otros conductos de aire a las aberturas de aspiración de la campana.

CUANDO FUNCIONA SIN CONDUCTO DE HUMOS

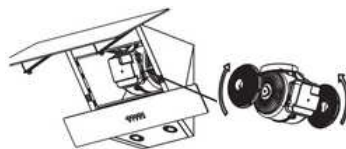
Filtro de carbón activo

En entornos sin conexión de humos al exterior, se debe utilizar un filtro de carbón activado para filtrar y reintroducir los olores y el aire del interior. La salida de humos del producto no debe permanecer cerrada por contacto con el techo o un armario. Puede obtener filtros de carbón adicionales en nuestros servicios autorizados.



Reemplazo del filtro de carbón activo

Se requieren 2 filtros de carbón en el producto. Para montar el filtro de carbón, alinee y gire media vuelta en sentido horario los canales de la tapa del motor y las pestañas del filtro. Gire media vuelta en sentido antihorario para retirarlo.



LIMPIEZA Y MANTENIMIENTO

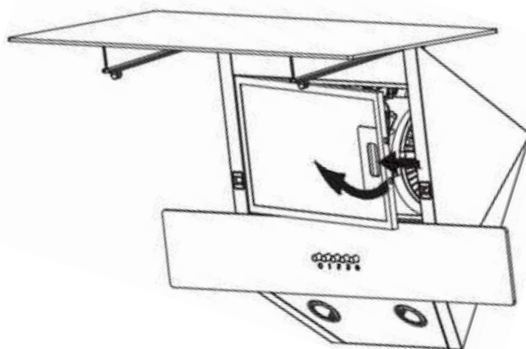
Antes de realizar los trabajos de mantenimiento o limpieza, se debe desenchufar el cable de alimentación o apagar el interruptor al que está conectado la campana.

Las superficies de la campana se pueden limpiar con un paño humedecido con agua jabonosa.

No utilice productos químicos abrasivos ni peligrosos. Evite el contacto de las piezas electrónicas con agua o materiales similares. Para productos de acero inoxidable, el uso de productos de limpieza y mantenimiento disponibles comercialmente prolongará su vida útil. Los filtros de cartucho de aluminio son aptos para lavavajillas.

El filtro de casete de aluminio debe limpiarse con agua caliente jabonosa o, si es posible, solo en el lavavajillas (máximo 60 °C) cada pocos meses, dependiendo de la intensidad del uso (aproximadamente después de 40 horas de funcionamiento). Después del lavado, el color del filtro de casete de aluminio y su marco puede cambiar. Esto es normal y no afecta al funcionamiento de los filtros.

Retire el filtro de casete de aluminio presionando el clip de resorte del extremo. Después de limpiarlo, déjelo secar. No instale el producto antes de que esté seco.



LIMPIEZA Y MANTENIMIENTO

FILTROS DE CASETE DE ALUMINIO LAVABLES

Si desea reemplazar su filtro de casete de aluminio, póngase en contacto con el servicio técnico autorizado más cercano y solicítelo. Para ello, debe proporcionar el número de modelo que figura en la placa de características de su producto. Otras marcas y modelos de filtros disponibles en el mercado no son compatibles con su producto.



INFORMACIÓN GENERAL SOBRE LÁMPARAS Y REEMPLAZO DE LÁMPARAS

La campana extractora cuenta con un sistema de iluminación basado en tecnología LED. Los LED son aproximadamente 10 veces más duraderos que las lámparas convencionales, a la vez que proporcionan una iluminación ideal y ofrecen un ahorro energético de hasta el 90 %.

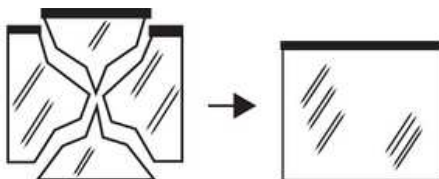
Si encuentra alguna deformación física o problemas relacionados con el rendimiento de iluminación de la campana, comuníquese con un servicio autorizado.

Si hay alguna grieta o rotura en la superficie de la lámpara, comuníquese con el servicio autorizado para solicitar un reemplazo.

Si es necesario reemplazar las lámparas, revise la información a continuación y reemplácelas con una alternativa que cumpla con estas especificaciones técnicas.

- Código ILCOS D: DBR-1-H (código ILCOS D según la norma IEC 61231)
- Módulo LED - Plástico translúcido
- Potencia nominal de cada lámpara: 1 W
- Potencia máxima de la lámpara para posible reemplazo: 2 x 1 W
- Dimensiones del producto: diámetro: 35,8 mm / altura: 30 mm

Si es necesario, puedes obtener lámparas nuevas en tu servicio técnico.

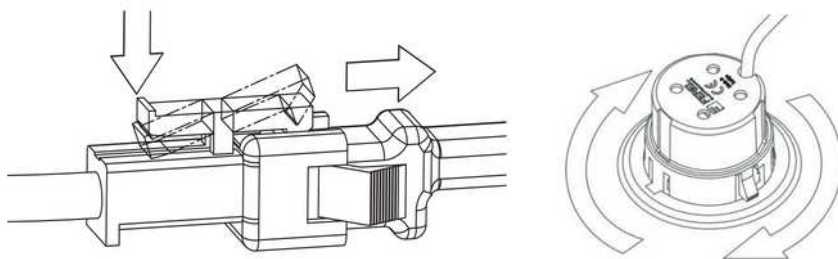


LIMPIEZA Y MANTENIMIENTO

REEMPLAZO DE LAS LÁMPARAS

Antes de sustituir las lámparas, desconecte el cable de alimentación de la campana extractora. A continuación, levante el cristal frontal para retirar el filtro de casete de aluminio.

- Después de liberar el mecanismo de bloqueo, presione la pestaña de plástico en la parte posterior como se muestra a la izquierda para separar los portalámparas y los enchufes entre sí.
- Gire las dos pestañas de retención de la lámpara en sentido horario o antihorario hasta que se alineen con las aberturas del panel de iluminación, sujetando el cuerpo de la lámpara. Una vez alineadas, sujete el cuerpo de la lámpara y extráigalo. Repita todos los pasos en orden inverso para instalar la lámpara.



SERVICIO, REPUESTOS, GARANTÍA

CUESTIONES QUE LOS CONSUMIDORES DEBEN TENER EN CUENTA EN RELACIÓN CON LA GARANTÍA

Conserve el certificado de garantía. El producto queda fuera de la garantía si no se puede presentar dicho certificado. Los componentes y accesorios auxiliares adquiridos con el producto quedan fuera de la garantía. Los materiales que se especifican en el manual de instrucciones para su sustitución dentro del plazo y según la cantidad de uso tampoco están cubiertos por la garantía.

LOS SIGUIENTES CASOS NO ESTÁN CUBIERTOS POR LA GARANTÍA:

- Daños y fallos resultantes de errores de instalación y uso contrarios a lo indicado en el manual del producto,
- Daños y averías que se produzcan durante la carga, descarga y manipulación una vez entregado el producto al cliente,
- Daños y averías que se produzcan por subtensión o sobretensión, instalación eléctrica defectuosa, uso del aparato con un valor de tensión distinto al especificado en la placa de características del producto,
- Los daños y/o averías que se produzcan a causa de incendio o caída de rayo,
- Fallos debidos al uso contrario a lo especificado en el manual del producto a los que el usuario deberá prestar atención.
- Rotura de cristales
- Errores resultantes de intervenciones o intentos de reparación del aparato por parte de cualquier persona que no sea personal autorizado.
- Los errores que se producen debido a que se instalan en el aparato piezas distintas a las proporcionadas por el importador

La responsabilidad de completar el certificado de garantía y entregárselo al consumidor recae en los vendedores, distribuidores, agencias o agentes a quienes el consumidor le compró el producto. Esta garantía quedará anulada si el certificado de garantía está dañado, o si el número de serie original del producto se ha eliminado o dañado. Los filtros de aluminio utilizados en las campanas extractoras deben limpiarse según los períodos y métodos especificados en el manual. Con el tiempo, se puede observar deslustre o decoloración en los filtros según el uso. Estas condiciones son normales, no afectan el funcionamiento del aparato y no están cubiertas por la garantía. Si no se siguen las advertencias especificadas en el manual, se puede observar deslustre, oxidación y ondulaciones en la superficie de los productos de acero inoxidable. Estas condiciones no están cubiertas por la garantía.

SERVICIO, REPUESTOS, GARANTÍA

Advertencias sobre envíos y transporte

- Siga las señales indicadas en el paquete durante el envío.

Si necesita transporte;

- Conserve el embalaje original.
- Utilice el embalaje original para transportar el aparato, siga las señales de manipulación indicadas en el paquete.

Si falta el embalaje original;

- No coloque objetos pesados sobre el capó.

SERVICIOS POSTVENTA:

Comuníquese con el fabricante para conocer el agente de servicio autorizado más cercano.

- Al comprar el producto, solicite a su distribuidor autorizado que apruebe su garantía.
- Cuando tenga una solicitud de servicio relacionada con su producto, puede llamar a la Línea de ayuda al consumidor.
- Pídale al técnico que venga a prestarle el servicio que le muestre "su tarjeta de identificación de técnico".
- No olvide solicitar un comprobante de servicio después de finalizar el trabajo. Este comprobante le será útil si vuelve a tener problemas con el producto más adelante.
- Vida útil: 10 años. Durante este periodo, el fabricante garantiza la disponibilidad de los repuestos necesarios para el producto.

SI LA CAMPANA NO FUNCIONA:

Antes de contactar con el servicio:

Asegúrese de que el aparato esté enchufado y de que los fusibles estén en buen estado. No realice ninguna operación que pueda dañar el producto. Revise su campana extractora según la Tabla 1 antes de contactar con el servicio técnico. Si el problema persiste, contacte con el servicio técnico autorizado más cercano.

Servicio y repuestos:

Si es necesario, puede obtener repuestos para su producto en su servicio técnico autorizado. Al contactar con su servicio técnico o distribuidor, indíquelo el nombre del producto y el modelo que figuran en la etiqueta para poder solicitar repuestos. Puede ver la etiqueta del producto al retirar el filtro de cartucho de aluminio.

SOLUCIÓN DE PROBLEMAS

| Problema | Posible causa | Solución |
|--|--|---|
| El aparato no funciona. | Es posible que el aparato no esté enchufado. | Asegúrese de que el cable de alimentación esté enchufado. |
| | Es posible que la tecla de encendido y apagado no esté presionada. | Presione la tecla Encendido/Apagado. |
| | Un objeto extraño podría estar atascado en el ventilador del motor. Si se obstruye el movimiento del motor, este dejará de funcionar como parte del sistema de protección. | El producto debe estar desenchufado. Tras cortar la alimentación, retire cualquier objeto extraño atascado en el ventilador que obstruya su movimiento. |
| La iluminación no funciona. | Es posible que el aparato no esté enchufado. | Asegúrese de que el cable de alimentación esté enchufado. |
| | Es posible que la tecla del aparato no funcione. | Comprueba el botón. |
| | La lámpara puede estar defectuosa | Reemplace la lámpara |
| El rendimiento del aparato no es adecuado o el aparato hace demasiado ruido durante su funcionamiento. | Si utiliza la campana sin salida de humos, es posible que los filtros de carbón tengan más de 4 meses de antigüedad. | Reemplace los filtros de carbón. |
| | Es posible que no haya un suministro suficiente de aire fresco ingresando a su cocina para garantizar el flujo de aire. | Deje que el ambiente se ventile abriendo las ventanas. |
| | La salida de aire puede estar bloqueada parcial o totalmente. | Compruebe que el recorrido de descarga de aire esté despejado. |

Nota: Si no puede solucionar el problema a pesar de seguir las instrucciones de esta sección, puede comunicarse con nuestro servicio autorizado más cercano u obtener soporte de nuestro centro de llamadas.

<https://wiggo.eu/support/services/>

FICHA DEL PRODUCTO

| | | | | |
|---|----------|---|---|---|
| Código de producto | | WE-A531G | WE-A532G | WE-A533G |
| Tipo de producto | | Curvo en ángulo | Curvo en ángulo | Curvo en ángulo |
| Ancho (mm)/Color | | 50 cm / Negro | 50 cm / Negro | 50 cm / Negro |
| Tipo de control | | Control táctil ECO | Control táctil ECO | Control táctil ECO |
| Potencia total del motor (W) | | 1 BLDC330 de 34 W | 1 BLDC330 de 34 W | 1 BLDC330 de 34 W |
| Voltaje/Frecuencia | | 220-240 V 50 Hz | 220-240 V 50 Hz | 220-240 V 50 Hz |
| Tipo de enchufe | | Tipo UE | Tipo UE | Tipo UE |
| Tipo de motor | | Motor de bobinado de alambre de cobre | Motor de bobinado de alambre de cobre | Motor de bobinado de alambre de cobre |
| Nivel de velocidad | | 3 | 3 | 3 |
| Cantidades de vidrio / Color | | 1 / Negro | 2 / Negro | 3 / Negro |
| Sistema de aire | | Salida de aire del sistema de doble ventilación | Salida de aire del sistema de doble ventilación | Salida de aire del sistema de doble ventilación |
| Diámetro de salida de aire (mm) | | 120 | 120 | 120 |
| Número de chimeneas y color | | 2 / Negro | 2 / Negro | 2 / Negro |
| Longitud de la chimenea (mm) | | 300 | 300 | 300 |
| Tipo de filtro de carbón | | Opcional | Opcional | Opcional |
| Filtro de metal | | Filtro de aluminio de 3 capas | Filtro de aluminio de 3 capas | Filtro de aluminio de 3 capas |
| Tipo de iluminación | | 2 lámparas LED de 1 W (6500 K) | 2 lámparas LED de 1 W (6500 K) | 2 lámparas LED de 1 W (6500 K) |
| Consumo anual de energía, AEEhood | [kWh/a] | 12.6 | 13.1 | 12.2 |
| Clase de eficiencia energética | - | A+ | A+ | A+ |
| Eficiencia Fluidodinámica, FDEhood | [%] | 19.4 | 18.9 | 19.4 |
| Clase de eficiencia fluidodinámica | - | do | do | do |
| Eficiencia luminica, LEhood | [lux/W] | 39 | 37 | 40 |
| Clase de eficiencia luminica | - | A | A | A |
| Eficiencia de filtrado de grasa, GFEhood | [%] | 52 | 61 | 67 |
| Clase de eficiencia de filtrado de grasa | - | F | Y | D |
| Flujo de aire de 1 velocidad en uso normal | [m3/h] | 147 | 142 | 147 |
| Flujo de aire de 2 velocidades en uso normal | [m3/h] | 218 | 215 | 226 |
| Flujo de aire de 3 velocidades en uso normal | [m3/h] | 260 | 259 | 265 |
| Flujo de aire de 4 velocidades en uso normal | [m3/h] | - | - | - |
| Flujo de aire en configuración intensiva/impulsiva | [m3/h] | - | - | - |
| Emisión de potencia sonora ponderada A a 1 velocidad | [dB(A)] | 36 | 42 | 41 |
| Emisión de potencia sonora ponderada A a 2 velocidades | [dB(A)] | 50 | 51 | 51 |
| Emisión de potencia sonora ponderada A a 3 velocidades | [dB(A)] | 55 | 56 | 56 |
| Emisión de potencia acústica ponderada A a 4 velocidades | [dB(A)] | - | - | - |
| Emisión de potencia sonora ponderada A a velocidad intensiva/impulsiva | [dB(A)] | - | - | - |
| Modo apagado del consumo de energía, P0 | [EN] | N / A | N / A | N / A |
| Consumo de energía en modo de espera, PS | [EN] | 0.4 | 0.41 | 0.4 |
| Factor de incremento de tiempo, f | - | 1.3 | 1.3 | 1.3 |
| Índice de Eficiencia Energética, EEIhood | - | 43.2 | 44.4 | 42.5 |
| Tasa de flujo de aire medida en el punto de máxima eficiencia, QBEP | [m3/h] | 150 | 156.5 | 162.8 |
| Presión de aire medida en el punto de máxima eficiencia, PBEP | [Bien] | 120 | 112 | 110 |
| Flujo de aire máximo, Qmax | [m3/h] | 260 | 259.1 | 265.1 |
| Potencia eléctrica medida en el punto de máxima eficiencia, WBEP | [EN] | 25.7 | 25.9 | 25.7 |
| Potencia nominal del sistema de iluminación, WL | [EN] | 2 | 2 | 2 |
| Iluminación media del sistema de iluminación de la superficie de cocción, Emiddle | [lux] | 79 | 74 | 80 |
| Peso neto | [kilos] | | | |
| Peso bruto | [kilos] | | | |
| Cantidad por camión / 40HC | [piezas] | 1056/858 | 1056/858 | 1056/858 |
| Tipo de paquete | | Caja de cartón con soporte Foem | Caja de cartón con soporte Foem | Caja de cartón con soporte Foem |
| Inflamabilidad de los plásticos | | Piezas de plástico ignifugas | Piezas de plástico ignifugas | Piezas de plástico ignifugas |

Términos y condiciones generales de servicio y garantía (mayo de 2024)

Estos términos y condiciones de servicio y garantía se aplican a las compras de electrodomésticos de cocina Wiggo en la región del Benelux después del 1 de mayo de 2024. Estamos comprometidos con un excelente servicio al cliente y calidad del producto; Para consultas o condiciones sobre compras anteriores, visite www.wiggo.eu.

Artículo 1: Garantía

En Wiggo, nos dedicamos a la excelente calidad y durabilidad de nuestros electrodomésticos de cocina y nos esforzamos por ofrecer una experiencia perfecta al cliente. En caso de cualquier problema, brindamos una solución adecuada, desde la reparación hasta el reemplazo, para garantizar su satisfacción.

¿Descubrió un defecto? Infórmalo a través de nuestro portal de servicios en www.wiggo.eu/services para obtener asistencia inmediata. Nuestros términos de garantía le brindan cinco años de garantía después de la compra de nuestros electrodomésticos.

Artículo 2: Exclusiones de la Garantía

Aunque respaldamos la calidad de nuestros electrodomésticos de cocina, hay ciertos casos en los que la garantía no se aplica:

- a. Electrodomésticos de cocina que no fueron adquiridos como 'nuevos'!
- b. Defectos o daños en un electrodoméstico informados a Wiggo después del período de garantía de 5 años.
- c. Uso en un entorno no doméstico o con fines comerciales.
- d. Sobre el suministro de consumibles, repuestos y accesorios.
- e. Reparaciones no autorizadas y/o uso de repuestos no oficiales.
- f. Electrodomésticos de cocina: sin números de identificación legibles, adquiridos fuera del Benelux, vendidos como clase B o como modelos de exposición.
- g. Daños, desgaste normal por el uso o desviaciones menores que no afecten a la funcionalidad.
- h. Daños o defectos en accesorios, sellos de puertas y elementos frágiles como vidrios, plásticos y lámparas.
- i. Daños o defectos debidos a daños por agua u otras sustancias a las que el producto no es resistente, como el uso de un agente de limpieza inadecuado.
- j. Daños o defectos por uso, operación, carga, montaje y/o mantenimiento inadecuados.
- k. Daños o defectos fuera del aparato, incluidos daños emergentes e indirectos.
- l. Daños o defectos causados por acciones no acordes con el manual.
- m. Daños o pérdidas normalmente cubiertos por el seguro del hogar.
- n. Daños o defectos debidos a fluctuaciones de potencia y voltaje que excedan el rango de tolerancia indicado por Wiggo.
- o. Daños o defectos causados por negligencia del usuario.
- p. Daños causados por o resultantes de una causa externa.

Artículo 3: Reclamo de garantía

- a. ¿Problemas con su producto? Infórmalo inmediatamente, a más tardar en un plazo de 48 horas,

a través de www.wiggo.eu/services.

- b. Envíenos una copia de su comprobante de compra, ya que es necesario para su reclamo de garantía.
- c. Le mantendremos informado sobre el proceso de gestión por correo electrónico o por teléfono.
- d. En caso de sustitución, el período de garantía original sigue siendo válido.
- e. Las piezas y aparatos sustituidos pasan a ser propiedad de Wiggo.

Artículo 4: Servicio posgarantía

- a. ¿Problemas con los electrodomésticos de tu cocina después del período de garantía? Rellene el formulario de servicio en www.wiggo.eu/services.
- b. Los costos de envío y/o tarifas de llamada para inspección, reparación o piezas corren por su cuenta.
- c. Proporcionamos una estimación de costos para la inspección y reparación por adelantado. Tras la aprobación, le enviaremos una solicitud de pago y luego programaremos una cita.
- d. Cualquier coste adicional se comunicará claramente después de la reparación.
- mi. El pago al técnico de servicio autorizado es fácil de realizar mediante un código QR o una solicitud de pago.

Artículo 5: Reclamaciones

Además de cualquier derecho que surja de las garantías legales u otras garantías que haya celebrado, no tiene derecho a ningún otro reclamo que los mencionados en esta garantía.

Artículo 6: Uso Internacional

Si lleva su electrodoméstico Wiggo a otro país, la garantía ya no se aplicará. Consulte las garantías locales y asegúrese de que su electrodoméstico cumpla con los requisitos técnicos (como voltaje, frecuencia, tipo de gas, etc.) y condiciones climáticas del lugar.

Artículo 7: Visita de Servicio y Mantenimiento

- a. Si el técnico determina que no hay ningún problema real (el producto funciona como debería), se le cobrará la visita del técnico. Estos costos se basan en las tarifas vigentes en ese momento.
- b. Los electrodomésticos que no funcionen o estén defectuosos deben estar vacíos y limpios cuando el técnico de servicio autorizado venga a repararlos o reemplazarlos. Si no es así, el técnico o transportista podrá rechazar la sustitución y cobrar por la misma.
- c. El pago al técnico de servicio autorizado es fácil de realizar mediante un código QR o una solicitud de pago.

Artículo 8: Responsabilidad

Sólo somos responsables hasta el monto cubierto por nuestro seguro. Tenga en cuenta: para electrodomésticos de cocina que no sean Wiggo o cancelaciones tardías (al menos con 24 horas de anticipación), se aplicarán cargos. Estos cargos se basan en las tarifas vigentes en ese momento.

Artículo 9: Protección de Datos

Durante la prestación del servicio, Wiggo recopila y procesa datos personales. Puede encontrar más información al respecto en www.wiggo.eu.

Artículo 10: Ley y Controversias

Estas condiciones de garantía y servicio están sujetas a la ley holandesa, con excepción de la Convención de Ventas de Viena. Los conflictos serán resueltos por el tribunal holandés competente.



www.wiggo.eu

¡Visite nuestro sitio web!

WIGGO



ANLEITUNG MANUAL

GLAS-DUNSTABZUGSHAUBE

- Sicherheitshinweise
- Installationsanweisungen
- Bedienung des Produkts

Modelle

WE-A531G

WE-A532G

WE-A533G

Bedienungsanleitung

wiggo.eu

5 JAHRE
GARANTIE

Großes Hallo!



Treten Sie unserer Community bei!

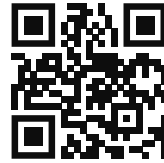
Vielen Dank, dass Sie uns erlauben, mit Ihnen zu kochen und Teil Ihrer warmen Küche zu sein. Wir sind überglücklich, Sie in unserer Wiggo-Community zu haben und können es kaum erwarten, mehr Positivität an Ihren Ort zu bringen.

Lassen Sie Ihrer Kreativität freien Lauf und machen Sie ein Selfie mit Ihrem neuen Koch-Buddy, um mit uns tolle Preise zu gewinnen.

Vergessen Sie nicht, uns zu markieren! @wiggo_eu

Auf frische Mahlzeiten!

**Holen Sie sich die
Unterstützung,
die Sie brauchen!**



SCANNEN SIE MICH, UM

**Holen Sie sich die aktuellste
Version dieses Handbuchs!**

wiggo.eu/support/downloads/



SCANNEN SIE MICH, UM

**Registrieren Sie Ihr
Produkt!**

wiggo.eu/support/register/



SCANNEN SIE MICH, UM

**Lesen Sie die
Garantiebedingungen!**

docs.wiggo.eu/books/mzsp/



SCANNEN SIE MICH, UM

**Füllen Sie das
Serviceanforderungsformular aus!**

wiggo.eu/support/services/service-request-form/



SCANNEN SIE MICH, UM

**Füllen Sie das
Teileanforderungsformular aus!**

wiggo.eu/support/services/part-request-form/

UNSERE DIENSTLEISTUNGEN

Schnelle
Lieferung



Wartung



Schnelle
Reparatur



Installation



Bitte lesen Sie zuerst die Bedienungsanleitung!

Lieber Kunde,











Unser Ziel ist es, Ihnen die sichere und effiziente Nutzung unseres Produkts in Ihrer Küche zu ermöglichen. Es wird nach hohen Qualitätsstandards in modernen Anlagen hergestellt. Um Ihnen ein optimales Erlebnis zu gewährleisten, bitten wir Sie dringend, dieses Handbuch und die Begleitdokumente vor der Verwendung sorgfältig durchzulesen.

Durch die Beachtung aller Anweisungen, Sicherheitshinweise und technischen Informationen in diesem Handbuch schützen Sie sich und Ihr Produkt vor möglichen Risiken. Achten Sie besonders auf die elektrischen Anschlüsse, Reinigungshinweise und Hinweise zur korrekten Verwendung.

Bewahren Sie die Bedienungsanleitung unbedingt auf. Wenn Sie das Produkt weitergeben, geben Sie die Anleitung bitte ebenfalls mit. Die Garantiebedingungen, Wartungstipps und Fehlerbehebungsmethoden für Ihre Dunstabzugshaube finden Sie in dieser Anleitung ausführlich.

Symbolerklärung:

In dieser Bedienungsanleitung werden folgende Symbole verwendet.

| | | | |
|---|---|---|--|
|  | Stromschlagwarnung |  | Warnung vor Brandgefahr |
| | Dieses Symbol weist darauf hin, dass durch elektrische Spannung Gefahr für Leben und Gesundheit von Personen besteht. | | Warnung vor Brandgefahr |
|  | Gefahr |  | Information |
| | Dieses Symbol weist darauf hin, dass durch hochentzündliches Gas Gefahren für Leben und Gesundheit von Personen bestehen. | | Wichtige Informationen oder hilfreiche Anweisungen zur Verwendung dieses Geräts |
|  | Vorsicht |  | Warnung |
| | Das Signalwort bezeichnet eine Gefährdung mit einem geringen Risikograd, die, wenn sie nicht vermieden wird, eine geringfügige oder mäßige Verletzung zur Folge haben kann. | | Das Signalwort bezeichnet eine Gefährdung mit einem mittleren Risikograd, die, wenn sie nicht vermieden wird, den Tod oder eine schwere Verletzung zur Folge haben kann. |
|  | Aufmerksamkeit |  | Hinweise beachten |
| | Das Signalwort weist auf eine wichtige Information hin (z. B. Sachschaden), jedoch nicht auf eine Gefahr. | | Dieses Symbol weist darauf hin, dass ein Servicetechniker dieses Gerät nur gemäß der Bedienungsanleitung bedienen und warten darf. |
|  | Warnung vor heißen Oberflächen |  | CE-Kennzeichnung |
| | Warnung vor heißen Oberflächen | | Zum Herstellungsdatum wurde dieses Produkt geprüft und entspricht den Spezifikationen der CE-Kennzeichnung |



Inhalt

SPEZIFIKATIONEN

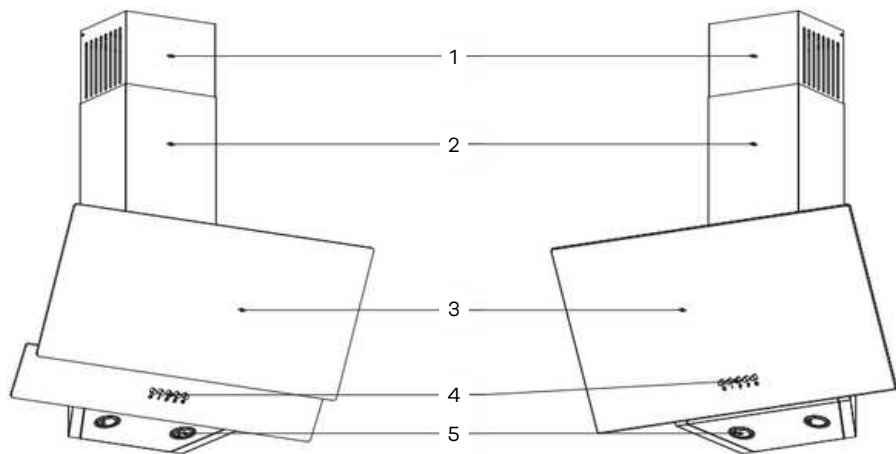
SICHERHEITSHINWEISE

INSTALLATION

BEDIENUNG UND BENUTZUNG DER DUNSTABZUGSHAUBE

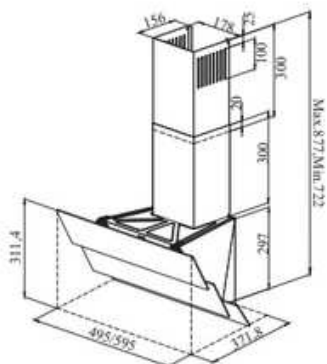
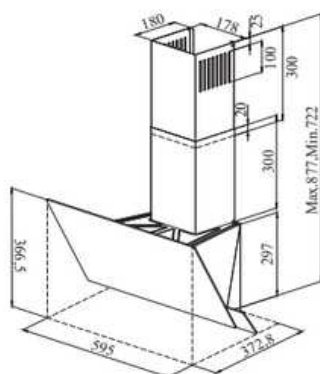
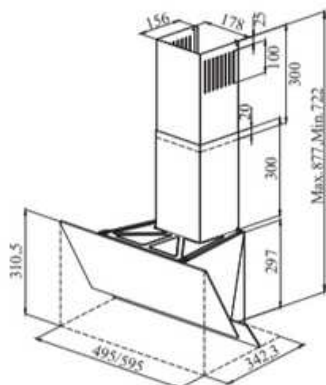
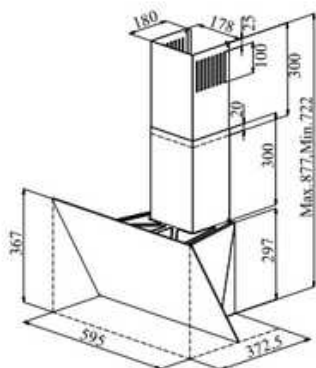
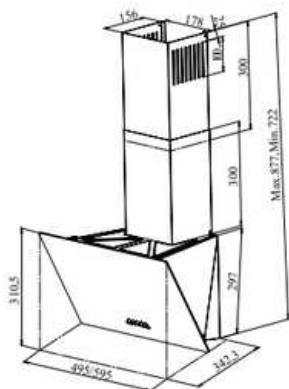
SERVICE, WELTRAUMTEILE, GARANTIE

SPEZIFIKATIONEN



| | |
|---|-------------------------------|
| 1 | Höhenverstellbarer Innenkamin |
| 2 | Fester Außenkamin |
| 3 | Fester Außenkamin |
| 4 | Bedienfeld |
| 5 | Blitz |

SPEZIFIKATIONEN



TECHNISCHE DATEN

| | |
|----------------------------------|----------------------------------|
| Spannung und Frequenz | 110–240 V Wechselstrom, 50/60 Hz |
| Gesamtleistung des Produkts | Min. 2 W, Max. 36 W |
| Motorleistung | 34W |
| Lampenleistung | 2 x 1W |
| Lampenbetriebsspannung | 12 V DC |
| Bedienfeld | 3 Geschwindigkeitsstufen |
| Luftauslassanschluss-Durchmesser | Ø120 mm |
| Produktbreite | 495-595 mm |
| Produkttiefe | 344-373 mm |
| Produkthöhe | 597 mm - 877 mm |

SICHERHEITSHINWEISE

Allgemeine Warnhinweise

- Dieses Produkt ist für den Hausgebrauch bestimmt. Bei gewerblicher oder industrieller Verwendung erlischt die Garantie und es besteht ein Sicherheitsrisiko.
- Die Installation des Produkts durch nicht autorisierte Personen kann zu Leistungseinbußen, dauerhaften Produktschäden und sogar zu Unfällen führen. Wir empfehlen daher dringend, die Installation nur von autorisiertem Servicepersonal durchführen zu lassen.
- Betreiben Sie das Gerät ausschließlich gemäß den Anweisungen in der Bedienungsanleitung.
- Bei Transportschäden dürfen keine Anschlüsse am Gerät vorgenommen werden.

Anwendungsgebiete

- Das Gerät ist dafür konzipiert, Dampf, Rauch, Fettpartikel und unerwünschte Gerüche, die beim Kochen in der Küche entstehen, effektiv zu filtern bzw. auszustoßen.

Einschränkung der Benutzergruppen

- Dieses Gerät kann von Kindern ab 8 Jahren, von Personen ohne körperliche, sensorische oder geistige Behinderung oder von Personen ohne mangelnde Erfahrung oder Kenntnisse verwendet werden, sofern sie beaufsichtigt werden oder Anweisungen zur sicheren Verwendung des Geräts erhalten und die Gefahren verstehen.

ALLGEMEINE SICHERHEIT

WARNUNG – ERSTICKUNGSGEFAHR!

- Die Verpackungsmaterialien stellen eine Gefahr für Kinder dar. Lassen Sie Kinder niemals mit Verpackungsmaterialien spielen.
- Halten Sie die Kleinteile von Kindern fern. Lassen Sie Kinder nicht mit den Kleinteilen spielen.

WARNUNG – STROMSCHLAGGEFAHR!

- Fehlerhafte und beschädigte Geräte dürfen auf keinen Fall verwendet werden.
- Bei Defekten am Gerät oder an der Netzwerkanschlussleitung sollte umgehend der Netzstecker gezogen oder die Sicherung im Sicherungskasten ausgeschaltet werden.
- Verwenden Sie zu Ihrer eigenen Sicherheit und zur Sicherheit des Produkts eine Sicherung mit „maximal 6 A“ in der Elektroinstallation, an die die Dunstabzugshaube angeschlossen wird.
- Unsachgemäße Reparaturen sind gefährlich. Reparaturen am Gerät dürfen nur von geschultem Personal durchgeführt werden, das in dieser Vorgehensweise geschult ist.
- Bei der Reparatur des Gerätes dürfen nur Original-Ersatzteile verwendet werden.

- Wenn die Netzanschlussleitung des Gerätes beschädigt ist, muss sie durch geschultes Fachpersonal ausgetauscht werden. Berühren Sie den Stecker nie mit nassen Händen.
- Um das Gerät vom Stromnetz zu trennen, halten Sie den Stecker nicht am Kabel, sondern am Gehäuse fest.
- Vor der Reinigung sollte der Stecker gezogen oder die Sicherung im Sicherungskasten ausgeschaltet werden.
- Verwenden Sie zum Reinigen des Geräts keine Dampfreiniger oder Hochdruckreiniger.
- Scharfkantige Teile im Inneren des Gerätes können das Anschlusskabel beschädigen.
- Das Anschlusskabel darf nicht geknickt oder eingeklemmt werden.
- Das Gerät darf nur über eine vorschriftsmäßig installierte geerdete Steckdose an ein Wechselstromnetz angeschlossen werden.
- Achten Sie bei der Installation des Geräts darauf, dass das Stromkabel nicht eingeklemmt oder beschädigt wird.
- Der Netzstecker der Netzanschlussleitung muss auch nach der Installation des Gerätes gut zugänglich sein.
- Ist dies nicht möglich, muss eine mehrpolige Trennvorrichtung entsprechend den Bedingungen der Überspannungsschutzkategorie III und den Errichtungsvorschriften für die feste elektrische Installation installiert werden.
- Die feste Elektroinstallation darf nur von einem Elektroinstallateur durchgeführt werden. Wir empfehlen Ihnen, im Stromkreis der Stromversorgung einen Fehlerstrom-Schutzschalter (RCD) zu installieren.
- Das Gerät gehört zur Schutzklasse 1. Daher darf es nur an Steckdosen mit Schutzkontaktanschluss verwendet werden.
- Schließen Sie den Strom erst an, wenn die Installation der Dunstabzugshaube abgeschlossen ist.

WARNUNG – BRANDGEFAHR!

- Eingesteckte Kabel dürfen nicht in der Nähe des Herdes verlegt werden, da sie aufgrund der hohen Temperaturen schmelzen und einen Brand verursachen können.
- Die Ölrückstände in den Ölfiltern können sich entzünden. Betreiben Sie das Gerät niemals ohne Ölfilter.
- Der Ölfilter sollte regelmäßig gereinigt werden.
- In der Nähe des Gerätes darf unbedingt kein offener Flammenbetrieb stattfinden (z. B. Kochen mit Flamme).
- Um Verformungen durch Hitze, bleibende Schäden oder Situationen, die die Sicherheit des Produkts und des Benutzers gefährden könnten, zu vermeiden, müssen bestimmte Sicherheitsabstände eingehalten werden.
- Nach der Installation der Dunstabzugshaube muss der Mindestabstand zwischen dem Produkt und einem Elektroherd 60 cm und zwischen dem Produkt und einem Gasherde oder Herd mit anderen brennbaren Brennstoffen 65 cm betragen. Wenn Ihr Herd sowohl brennbare elektrische als auch gasbetriebene Komponenten enthält, muss der für Gasherde angegebene Mindestabstand eingehalten werden. Auch wenn in der Installationsanleitung für Gasherde ein größerer Abstand angegeben ist, müssen Sie vorrangig diese Anweisungen befolgen.

- Heiße Öle und Fette fangen leicht Feuer. Heiße Öle und Fette sollten nie unbeaufsichtigt gelassen werden.
- Entzündetes Öl darf niemals mit Wasser gelöscht werden. Die Kochfläche sollte abgedeckt sein. Löschen Sie die Flammen vorsichtig mit einer Abdeckung, Löschdecke oder ähnlichem.

WARNUNG – VERBRENNUNGSGEFAHR!

- Lassen Sie das Gerät vor der Reinigung und Wartung abkühlen. Schalten Sie die Sicherung aus und ziehen Sie den Stecker aus der Steckdose.
- Berühren Sie auf keinen Fall heiße Stellen.

WARNUNG – VERLETZUNGSGEFAHR!

- Teile im Inneren des Geräts können scharfkantig sein. Reinigen Sie den Geräteinnenraum deshalb sorgfältig.
- Auf dem Gerät abgestellte Gegenstände können herunterfallen. Stellen Sie keine Gegenstände auf das Gerät.
- Elektrische oder mechanische Veränderungen sind gefährlich und können zu Funktionsstörungen führen. Nehmen Sie keine elektrischen oder mechanischen Veränderungen vor.
- Das Licht der LED-Beleuchtung ist sehr hell und kann die Augen schädigen. Schauen Sie nicht länger als 60 Sekunden direkt in die LED-Leuchten.
- Wenn das Gerät nicht ordnungsgemäß befestigt ist, kann es herunterfallen. Alle Befestigungselemente müssen festgezogen und sicher montiert sein.
- Das Gerät ist schwer, zum Bewegen sind 2 Personen erforderlich.
- Verwenden Sie nur geeignete Hilfsmittel.
- Das Gerät sollte nicht direkt auf Gipskartonplatten oder ähnlichen Leichtbaumaterialien montiert werden.
- Für eine ordnungsgemäße Montage muss ein ausreichend stabiles Material verwendet werden, das für die Bauumgebung und das Gewicht des Geräts geeignet ist.

WARNUNG – VERGIFTUNGSGEFAHR!

- Wieder eingesaugte brennbare Gase können zu Vergiftungen führen. Belüftete Feuerstätten (z. B. Gas-, Öl-, Holz- oder Kohleöfen, Duschöfen, Warmwasserbereiter) saugen die Verbrennungsluft am Aufstellungsort an und leiten die Abgase über ein Abgassystem (z. B. Kamin) ab.
- Bei eingeschalteter Dunstabzugshaube wird Luft aus der Küche und den angrenzenden Räumen angesaugt. Bei unzureichender Zuluft entsteht Unterdruck. Dabei werden die giftigen Gase aus dem Rauch- und Abgaskanal abgesaugt und wieder in die Tür geleitet. Achten Sie beim Betrieb mit einem an die Raumluft angeschlossenen Herd im Schmutzluftbetrieb stets auf eine ausreichende Belüftung des Gerätes.

UMWELTSCHUTZ



Dieses Gerät ist gemäß der europäischen Richtlinie 2012/19/EG über Elektro- und Elektronik-Altgeräte (WEEE) gekennzeichnet. Durch die ordnungsgemäße Entsorgung dieses Produkts vermeiden Sie mögliche negative Auswirkungen auf die Umwelt und die menschliche Gesundheit, die durch unsachgemäße Handhabung des Produkts entstehen können.



Das Symbol auf dem Produkt oder den mitgelieferten Dokumenten weist darauf hin, dass dieses Gerät nicht als Hausmüll entsorgt werden darf. Das Gerät muss an einer dafür vorgesehenen Recyclingstelle für elektrische und elektronische Geräte abgegeben werden. Die Entsorgung muss gemäß den örtlichen Umweltvorschriften erfolgen. Detaillierte Informationen zu den Recyclingbedingungen dieses Produkts erhalten Sie bei Ihrer Gemeinde, dem Entsorgungsdienst oder dem Verkäufer des Produkts.

INSTALLATION

VOR DEM AUSPACKEN DES GERÄTS:

Stellen Sie sicher, dass Ihre Elektroinstallation geeignet ist. Im Zweifelsfall lassen Sie die notwendigen Vorkehrungen von einem qualifizierten Elektriker treffen. Es liegt in der Verantwortung des Kunden, den Installationsort und die Elektroinstallation vorzubereiten. Bei der Installation des Produkts sind die örtlichen Vorschriften für Elektroinstallationen einzuhalten. Überprüfen Sie das Produkt vor der Installation auf Beschädigungen. Lassen Sie das Produkt nicht installieren, wenn es beschädigt ist. Beschädigte Produkte stellen ein Sicherheitsrisiko dar.

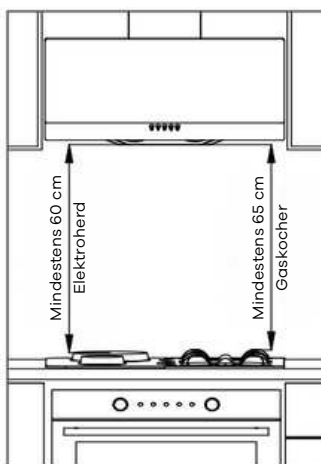
WARNUNG! Eine gute Belüftung des Raumes ist für den sicheren Betrieb Ihres Produkts unerlässlich. Wenn keine Fenster zur Belüftung vorhanden sind, sollte für zusätzliche Belüftung gesorgt werden (z. B. durch Öffnen einer Lüftungsöffnung im Fenster). Falls Ihre Küche eine Lüftungsöffnung hat, blockieren Sie diese nicht. Überprüfen Sie den Zustand anderer Materialien (z. B. Montagezubehör, Bedienungsanleitung) im Inneren der Dunstabzugshaube, entfernen Sie diese und bewahren Sie sie separat auf. Bewahren Sie diese niemals in der Dunstabzugshaube auf. Installieren Sie das Gerät nicht auf Oberflächen wie Fliesen, Glas oder Silikon. Montieren Sie es ausschließlich an der Wand.

Lassen Sie Kinder nicht mit Verpackungsmaterialien spielen!

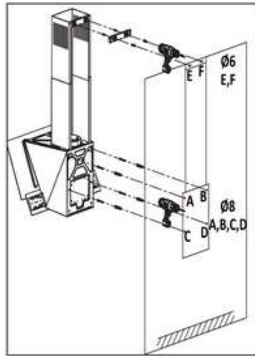
INSTALLIEREN SIE DAS GERÄT

Befolgen Sie die nachstehenden Schritte, um das Produkt zu installieren.

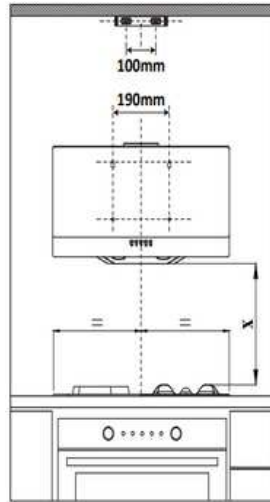
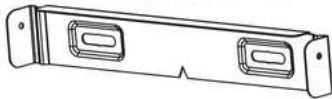
Position des Geräts: Nach Abschluss der Installation der Dunstabzugshaube muss der Abstand zwischen dem Produkt und einem Elektroherd 60 cm und zwischen dem Produkt und einem Gasherd oder Herd, der mit anderen Brennstoffen betrieben wird, 65 cm betragen.



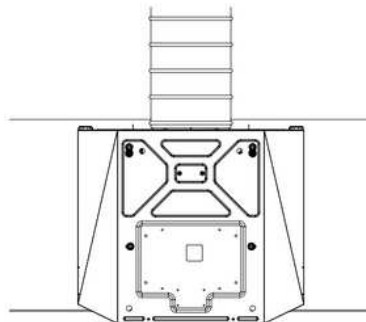
- Bohren Sie mit einem $\varnothing 8$ -mm-Bohrer Löcher in die Wand (A, B, C, D) und stecken Sie $\varnothing 8$ -mm-Kunststoffdübel in diese Löcher, die Sie mithilfe der Installationsschablone neben dem Installationszubehör in der Produktverpackung gebohrt haben.
- Bohren Sie mit einem $\varnothing 6$ mm Bohrer Löcher für die innere Abgasanschlussplatte in die Wand (E,F) und stecken Sie unter Berücksichtigung der Höhe des Installationsbereichs $\varnothing 6$ mm Kunststoffdübel in diese Löcher.
- Befestigen Sie 2 der 4,8x50 Schrauben an den Dübeln an den Punkten A und B. Achten Sie dabei auf einen Abstand von 5mm zwischen Schraubenkopf und Wand.
- Befestigen Sie die innere Rauchgasanschlussplatte mit 3,9x22 RYSB-Schrauben an den $\varnothing 6$ mm Dübeln an den Punkten E und F, die Sie in die Wand gehämmert haben.



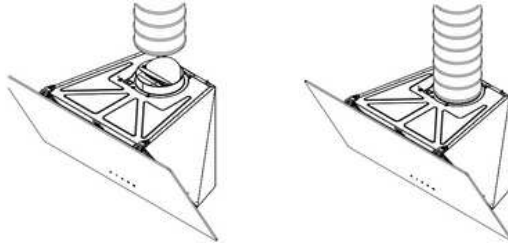
Innere Rauchrohranschlussplatte



- Hängen Sie die Haube auf, indem Sie die Aufhängeschlitze auf die Schrauben stecken, die Sie zuvor in den Löchern A und B montiert haben, und dabei einen Abstand von 5 mm zwischen den Schraubenköpfen und der Wandoberfläche lassen.



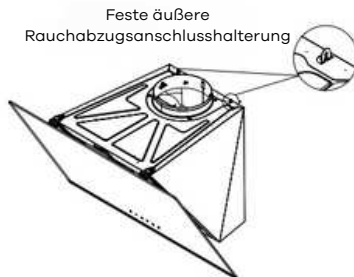
- Nachdem Sie die Glasabdeckung der Dunstabzugshaube zu sich gezogen und geöffnet haben, entnehmen Sie den Aluminium-Kassettenfilter. Befestigen Sie das Produkt anschließend, indem Sie die weiteren 4,8x50 YSB-Schrauben in die von innen sichtbaren Kunststoffdübel an den Löchern C und D festschrauben.
- Stellen Sie die Verbindung zwischen Haube und Aluminiumrohr her. Schieben Sie das flexible Aluminiumrohr über den Kunststoffkamin und befestigen Sie es mit einem Kabelhalter oder einer Schelle aus Kunststoff, ohne es zu fest anzuziehen. Stecken Sie das andere Rohrende in die Kaminöffnung.
- Vor dem Rohranschluss müssen die Kunststoffklappen am Luftaustritt des Produkts überprüft werden. Betätigen Sie Ihre Dunstabzugshaube vor dem Rohranschluss und stellen Sie sicher, dass sich die Klappen nach oben bewegen und Luft austreten kann. Andernfalls ändern Sie die Richtung der Klappen.



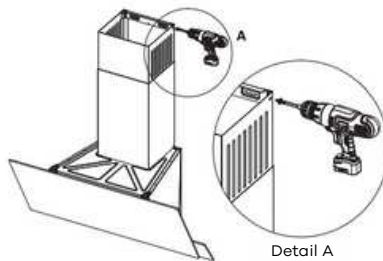
- Ein zu festes Anziehen des Kunststoff-Kabelhalters oder der Klemme beim Rohranschluss kann die Funktion der Klappen beeinträchtigen. Prüfen Sie daher vor dem Anschluss des Rohrs an den Kamin die Funktion der Klappen, indem Sie Ihre Dunstabzugshaube einschalten.
- Führen Sie den äußeren Rauchabzug vorsichtig in den inneren Rauchabzug ein.



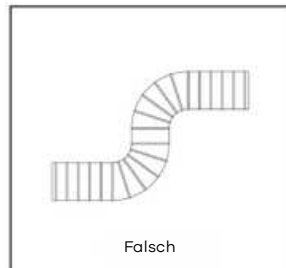
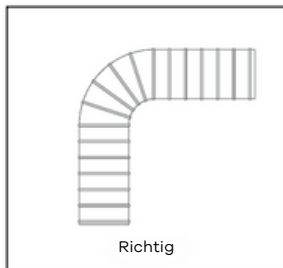
- So nutzen Sie Ihre Dunstabzugshaube effizient: Ziehen Sie den inneren Abzug nach oben durch den äußeren Abzug und schrauben Sie ihn mit einer 3,5 x 6,5 RYSB-Schraube an das zuvor an der Wand befestigte Anschlussblech für den inneren Abzug.



- Befestigen Sie den äußeren Rauchabzug mit einer 3,5 x 6,5 RYSB-Schraube an den Rauchabzugsanschlusshalterungen (zwei oben auf der Haube) auf der Oberseite der Haube.



- Verwenden Sie beim Anschluss der Dunstabzugshaube an den Kamin ein Rohr mit einem Durchmesser von 120 mm und möglichst wenig Bögen. Da Verdrehungen und Biegungen im Aluminiumrohr die Saugleistung verringern, sollten Sie diese möglichst vermeiden.
- Achten Sie auf die regelmäßige Reinigung des Aluminium-Kassettenfilters und die Austauschintervalle der Kohlefilter.



BEDIENUNG UND VERWENDUNG DER DUNSTABZUGSHAUBE

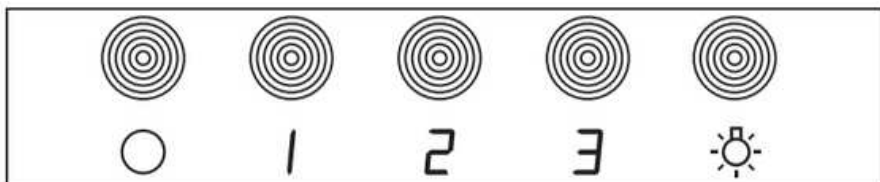
Vorsicht

Stellen Sie vor dem Betrieb der Haube sicher, dass alle mechanischen und elektrischen Anschlüsse hergestellt sind.

Lassen Sie keine Fremdkörper in der Haube zurück. Stellen Sie sicher, dass kein Verpackungsmaterial herumliegt.

Vor der Verwendung unbedingt das blaue Schutzband an den Rändern des Aluminium-Kassettenfilters in der Dunstabzugshaube entfernen. Bleibt das Band an der Filterkante, kann es sich bei großer Hitze entzünden und ein Sicherheitsrisiko darstellen. Bitte stellen Sie sicher, dass Sie vor Inbetriebnahme des Geräts alle Schutzbänder vollständig entfernt haben.

MECHANISCHE STEUERUNG



GESCHWINDIGKEITSAUSWAHL

- Die Dunstabzugshaube kann je nach der beim Kochen erzeugten Dampfmenge mit 3 verschiedenen Geschwindigkeiten betrieben werden:
 - Geschwindigkeit: Für leichten Dampf und Geruch
 - Geschwindigkeit: Für mittleren Dampf und Geruch
 - Geschwindigkeit: Für intensiven Dampf und Geruch

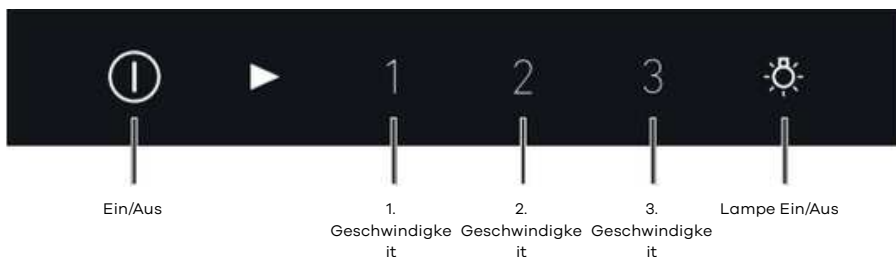
Tip: Nach dem Kochen die Dunstabzugshaube noch eine Weile laufen lassen, um die restlichen Gerüche zu entfernen.

ANWENDUNG

- Um die Dunstabzugshaube einzuschalten, drücken Sie die Taste 1, 2 oder 3.
- Zum Ausschalten die Taste 0 drücken.
- Über die Schaltfläche mit dem Lampensymbol lässt sich die Beleuchtung steuern.

BEDIENUNG UND VERWENDUNG DER DUNSTABZUGSHAUBE

TOUCHSCREEN-STEUERUNG (ECO)



STARTBILDSCHIRM

- Wenn das Produkt eingesteckt ist, blinken alle Symbole gleichzeitig rot.
- Wenn das Ein-/Aus-Symbol erneut gedrückt wird, werden alle Symbole nacheinander rot.
- Wenn 1 Minute lang keine Aktion ausgeführt wird, werden alle Symbole ausgeschaltet.

ANWENDUNG

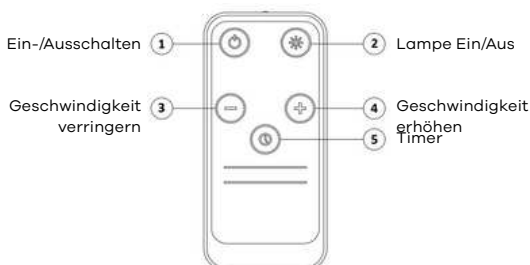
- Um die Dunstabzugshaube einzuschalten, berühren Sie das Ein/Aus-Symbol.
- Berühren Sie je nach Intensität des beim Kochen entstehenden Dampfes eines der oben angezeigten Symbole (1-2-3).
- Die ausgewählte Geschwindigkeitsstufe und das rote Licht (▶) leuchten auf.
- Um die LED-Lampe ein-/auszuschalten, drücken Sie das Symbol „Lampe ein/aus“. (Die Lampen des Produkts können unabhängig vom Motor betrieben werden.)
- Um die Haube nach dem Gebrauch auszuschalten, drücken Sie auf das Ein/Aus-Symbol.

BEDIENUNG DES TIMERS

- Durch langes Drücken der Geschwindigkeitsstufe (1-2-3) wird der Timer aktiviert und der Motor schaltet nach 5 Minuten automatisch ab; die Lampen bleiben an.

FERNBEDIENUNG (OPTIONAL)

Wenn Ihr Produkt über eine Fernbedienung verfügt, wird es mit 1 Fernbedienung geliefert.



BEDIENUNG UND VERWENDUNG DER DUNSTABZUGSHAUBE

GERÄTEEIGENSCHAFTEN

- Dunstabzugshauben werden in Küchen mit oder ohne Abzug verwendet.
- Das Produkt schaltet sich nach 6 Stunden automatisch ab, wenn nach dem Start keine Taste gedrückt wird.

BETRIEB MIT RAUCHABZUG

- Bei Betrieb mit Kaminanschluss muss die Dunstabzugshaube an den Kamin angeschlossen werden. Für einen effizienten Betrieb Ihrer Dunstabzugshaube sollte das Rohrsystem zum Kamin möglichst kurz sein und der Luftstrom muss frei sein. Unser Produkt ist für den Betrieb mit Kaminanschluss konzipiert.

Achtung! An die Absaugöffnungen der Haube dürfen keine anderen Luftkanäle angeschlossen werden.

BEI BETRIEB OHNE ABZUG

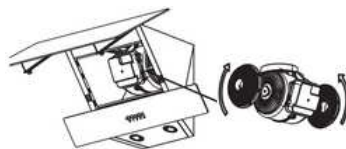
Aktivkohlefilter

In Umgebungen ohne Außenabzug sollte ein Aktivkohlefilter eingesetzt werden, um Gerüche und Luft aus dem Innenraum zu filtern und wieder abzuführen. Der Rauchabzug des Produkts sollte nicht durch Kontakt mit der Decke oder einem Schrank geschlossen bleiben. Aktivkohlefilter sind zusätzlich bei unserem autorisierten Kundendienst erhältlich.



Aktivkohlefilterwechsel

Im Produkt müssen 2 Kohlefilter verwendet werden. Um den Kohlefilter zu montieren, richten Sie die Kanäle an der Motorkappe und die Laschen am Kohlefilter aus und drehen Sie sie eine halbe Umdrehung im Uhrzeigersinn. Um ihn zu entfernen, drehen Sie ihn eine halbe Umdrehung gegen den Uhrzeigersinn.



REINIGUNG UND WARTUNG

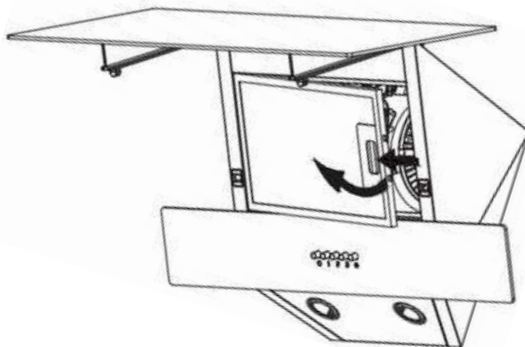
Vor der Durchführung von Wartungs- und Reinigungsarbeiten muss das Netzkabel gezogen oder der Schalter, an dem die Haube angeschlossen ist, ausgeschaltet werden.

Die Oberflächen der Haube können mit einem mit Seifenlauge angefeuchteten Tuch abgewischt werden.

Verwenden Sie keine Scheuermittel oder gefährlichen Chemikalien. Vermeiden Sie den Kontakt elektronischer Teile mit Wasser oder ähnlichen Materialien. Bei Edelstahlprodukten verlängert die Verwendung handelsüblicher Reinigungs- und Pflegemittel die Lebensdauer Ihres Produkts. Aluminium-Kassettenfilter sind spülmaschinenfest.

Aluminium-Kassettenfilter sollten je nach Nutzungsintensität alle paar Monate (ca. nach 40 Betriebsstunden) mit heißem Spülwasser oder, wenn möglich, nur in der Spülmaschine (maximal 60 °C) gereinigt werden. Nach dem Waschen kann sich die Farbe des Aluminium-Kassettenfilters und seines Rahmens verändern. Dies ist normal und beeinträchtigt die Funktion der Filter nicht.

Entnehmen Sie den Aluminium-Kassettenfilter durch Drücken des Federclips am Ende. Lassen Sie ihn nach der Reinigung trocknen. Installieren Sie das Produkt erst, wenn es trocken ist.



REINIGUNG UND WARTUNG

WASCHBARE ALUMINIUM-KASSETTENFILTER

Wenn Sie Ihren Aluminium-Kassettenfilter austauschen möchten, wenden Sie sich bitte an Ihren nächstgelegenen autorisierten Service und stellen Sie eine Anfrage. Geben Sie dazu die Modellnummer vom Typenschild Ihres Produkts an. Andere auf dem Markt erhältliche Filtermarken und -modelle sind nicht mit Ihrem Produkt kompatibel.



ALLGEMEINE INFORMATIONEN ZU LAMPEN UND LAMPENWECHSEL

Die Dunstabzugshaube verfügt über ein Beleuchtungssystem auf Basis von LED-Technologie. LEDs sind etwa 10-mal langlebiger als herkömmliche Lampen, sorgen für optimale Beleuchtung und ermöglichen Energieeinsparungen von bis zu 90 %.

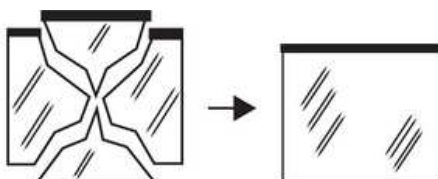
Wenn Sie physische Verformungen oder Probleme feststellen, die mit der Beleuchtungsleistung der Haube zusammenhängen, wenden Sie sich bitte an einen autorisierten Service.

Wenn auf der Lampenoberfläche Risse oder Brüche vorhanden sind, wenden Sie sich bitte an den autorisierten Service, um einen Austausch zu vereinbaren.

Wenn die Lampen ausgetauscht werden müssen, überprüfen Sie bitte die folgenden Informationen und ersetzen Sie sie durch eine Alternative, die diese technischen Spezifikationen erfüllt.

- ILCOS D-Code: DBR-1-H (ILCOS D-Code gemäß IEC 61231-Standard)
- LED-Modul - Durchscheinender Kunststoff
- Nennleistung jeder Lampe: 1W
- Maximale Lampenleistung für möglichen Austausch: 2 x 1 W
- Produktabmessungen; Durchmesser: 35,8 mm / Höhe: 30 mm

Neue Lampen erhalten Sie bei Bedarf bei Ihrem Service.

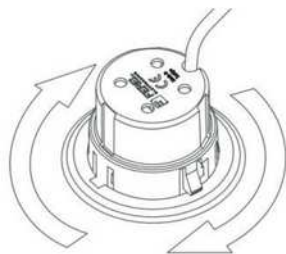
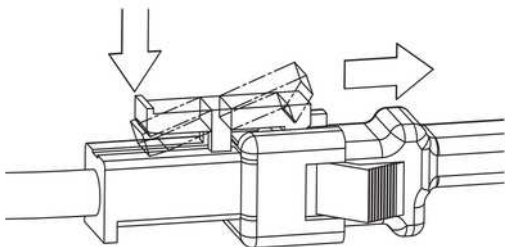


REINIGUNG UND WARTUNG

AUSWECHSELN DER LAMPEN

Bevor Sie die Lampen austauschen, ziehen Sie das Netzkabel der Dunstabzugshaube ab. Heben Sie anschließend die Frontscheibe nach oben, um den Aluminium-Kassettenfilter zu entnehmen. Anschließend:

- Nach dem Lösen der Verriegelung drücken Sie wie links abgebildet auf die Kunststoffflasche auf der Rückseite, um Lampenfassungen und Stecker voneinander zu lösen
- Drehen Sie die beiden Haltetaschen an der Lampe im oder gegen den Uhrzeigersinn, sodass sie mit den Öffnungen im Leuchtfeld übereinstimmen. Halten Sie dabei den Lampenkörper fest. Sobald die Haltetaschen mit den Öffnungen ausgerichtet sind, halten Sie den Lampenkörper fest und ziehen Sie ihn heraus. Wiederholen Sie alle Schritte in umgekehrter Reihenfolge, um die Lampe zu montieren.



SERVICE, ERSATZTEILE, GARANTIE

DIE PROBLEME, AUF DIE VERBRAUCHER BEI DER GARANTIE ACHTEN SOLLTEN

Bewahren Sie den Garantieschein auf. Wenn der Garantieschein nicht vorgelegt werden kann, fällt das Produkt nicht unter die Garantie. Mit dem Produkt erworbene Zusatzkomponenten und Zubehör fallen nicht unter die Garantie. Materialien, deren Austausch gemäß der Bedienungsanleitung fristgerecht und nutzungsabhängig ist, fallen ebenfalls nicht unter die Garantie.

DIE FOLGENDEN FÄLLE SIND NICHT DURCH DIE GARANTIE ABGEDECKT:

- Schäden und Störungen, die auf Installations- und Anwendungsfehler zurückzuführen sind, die den Angaben im Produkthandbuch widersprechen,
- Schäden und Störungen, die beim Be- und Entladen sowie bei der Handhabung nach der Lieferung des Produkts an den Kunden auftreten,
- Schäden und Störungen, die aufgrund von Unter- oder Überspannung, fehlerhafter Elektroinstallation, Verwendung des Gerätes mit einem anderen als dem auf dem Typenschild des Produktes angegebenen Spannungswert auftreten,
- Schäden und/oder Störungen, die durch Feuer oder Blitzschlag entstehen,
- Störungen aufgrund einer Verwendung, die den im Produkthandbuch angegebenen Punkten widerspricht, auf die der Benutzer achten sollte.
- Glasbruch
- Fehler, die auf Eingriffe oder Reparaturversuche am Gerät durch andere als autorisiertes Personal zurückzuführen sind.
- Fehler, die dadurch entstehen, dass andere Teile als die vom Importeur gelieferten am Gerät installiert sind

Die Verantwortung für das Ausfüllen und Vorlegen des Garantiescheins an den Verbraucher liegt bei den Verkäufern, Händlern, Agenturen oder Vertretern, von denen der Verbraucher die Ware erworben hat. Diese Garantie erlischt, wenn der Garantieschein beschädigt ist oder die Originalseriennummer auf dem Produkt entfernt oder beschädigt wurde. Die in den Dunstabzugshauben verwendeten Aluminiumfilter müssen gemäß den im Handbuch angegebenen Zeiträumen und mit den dort angegebenen Methoden gereinigt werden. Je nach Gebrauch kann es mit der Zeit zu Anlaufen oder Verfärbungen der Filter kommen. Dies ist normal, beeinträchtigt weder Funktion noch Funktion des Geräts und wird nicht von der Garantie abgedeckt. Bei Edelstahlprodukten kann es zu Anlaufen, Oxidation und Wellenbildung auf der Oberfläche kommen, wenn die im Handbuch angegebenen Warnhinweise nicht beachtet werden. Diese Bedingungen werden nicht von der Garantie abgedeckt.

SERVICE, ERSATZTEILE, GARANTIE

Warnhinweise zu Versand und Transport

- Beachten Sie während des Versands die auf der Verpackung angegebenen Hinweise

Wenn Sie ein Transportmittel benötigen;

- Bewahren Sie die Originalverpackung auf.
- Verwenden Sie für den Transport des Geräts die Originalverpackung und beachten Sie die Handhabungshinweise auf der Verpackung.

Wenn die Originalverpackung fehlt;

- Legen Sie keine schweren Gegenstände auf die Haube.

KUNDENDIENST:

Bitte wenden Sie sich an den Hersteller, um den nächstgelegenen autorisierten Servicevertreter zu erfahren.

- Lassen Sie beim Kauf des Produkts die Garantie von Ihrem autorisierten Händler genehmigen.
- Wenn Sie eine Serviceanfrage zu Ihrem Produkt haben, können Sie die Verbraucher-Hotline anrufen.
- Bitten Sie den Techniker, der zur Leistungserbringung kommt, Ihnen „seinen Technikerausweis“ vorzuzeigen.
- Vergessen Sie nicht, nach Abschluss der Arbeiten einen Servicebeleg anzufordern. Dieser Servicebeleg ist nützlich, wenn später erneut Probleme mit dem Produkt auftreten.
- Nutzungsdauer: 10 Jahre. Während dieser Zeit garantiert der Hersteller die Verfügbarkeit der notwendigen Ersatzteile für das Produkt.

WENN DIE DUNSTABZUGSHAUBE NICHT FUNKTIONIERT:

Bevor Sie den Service kontaktieren:

Stellen Sie sicher, dass das Gerät an die Steckdose angeschlossen ist und die Sicherungen in Ordnung sind. Führen Sie keine Arbeiten durch, die das Produkt beschädigen könnten. Überprüfen Sie Ihre Dunstabzugshaube gemäß Tabelle 1, bevor Sie sich an den Kundendienst wenden. Sollte das Problem weiterhin bestehen, wenden Sie sich an den nächstgelegenen autorisierten Kundendienst.

Service und Ersatzteile:

Bei Bedarf erhalten Sie Ersatzteile für Ihr Produkt bei Ihrem autorisierten Kundendienst. Teilen Sie Ihrem Kundendienst oder Händler bitte den Produkt- und Modellnamen auf dem Produktetikett mit, um Ersatzteile anfordern zu können. Das Produktetikett finden Sie nach dem Entfernen des Aluminium-Patronenfilters.

FEHLERBEHEBUNG

| Problem | Mögliche Ursache | Lösung |
|--|---|--|
| Das Gerät funktioniert nicht. | Das Gerät ist möglicherweise nicht angeschlossen. | Stellen Sie sicher, dass das Netzkabel eingesteckt ist. |
| | Die Ein-/Aus-Taste wurde möglicherweise nicht gedrückt. | Drücken Sie die Ein-/Aus-Taste. |
| | Möglicherweise steckt ein Fremdkörper im Motorlüfter fest. Wird die Motorbewegung behindert, wird der Motor im Rahmen der Schutzmaßnahmen abgeschaltet. | Das Produkt muss vom Stromnetz getrennt werden. Nach dem Abschalten der Stromversorgung muss der Fremdkörper, der am Lüfter fest sitzt und dessen Bewegung behindert, entfernt werden. |
| Die Beleuchtung funktioniert nicht. | Das Gerät ist möglicherweise nicht angeschlossen. | Stellen Sie sicher, dass das Netzkabel eingesteckt ist. |
| | Der Geräteschlüssel funktioniert möglicherweise nicht. | Aktivieren Sie die Schaltfläche. |
| | Lampe ist möglicherweise defekt | Ersetzen Sie die Lampe |
| Die Leistung des Geräts reicht nicht aus oder das Gerät macht im Betrieb zu viel Lärm. | Wenn Sie die Dunstabzugshaube ohne Abzug verwenden, können die Kohlefilter älter als 4 Monate sein. | Ersetzen Sie die Kohlefilter. |
| | Möglicherweise gelangt nicht genügend Frischluft in Ihre Küche, um einen Luftstrom zu gewährleisten. | Lüften Sie die Umgebung, indem Sie die Fenster öffnen. |
| | Der Luftauslass kann teilweise oder vollständig blockiert sein. | Prüfen Sie, ob der Luftauslass frei ist. |

Hinweis: Wenn Sie das Problem trotz Befolgen der Anweisungen in diesem Abschnitt nicht beheben können, können Sie sich an unseren nächstgelegenen autorisierten Service wenden oder Unterstützung von unserem Callcenter erhalten.

<https://wiggo.eu/support/services/>

PRODUKTBLATT

| | | | | |
|--|---------------------|--------------------------------------|--------------------------------------|--------------------------------------|
| Produktcode | | WE-A531G | WE-A532G | WE-A533G |
| Produkttyp | | Abgewinkelt Gebogen | Abgewinkelt Gebogen | Abgewinkelt Gebogen |
| Breite (mm)/Farbe | | 50 cm / Schwarz | 50 cm / Schwarz | 50 cm / Schwarz |
| Steuerungstyp | | ECO Touch-Steuerung | ECO Touch-Steuerung | ECO Touch-Steuerung |
| Gesamtleistung des Motors (W) | | 1 x BLDC330 34W | 1 x BLDC330 34W | 1 x BLDC330 34W |
| Spannung/Frequenz | | 220-240 V 50 Hz | 220-240 V 50 Hz | 220-240 V 50 Hz |
| Steckertyp | | EU-Typ | EU-Typ | EU-Typ |
| Motortyp | | Motor mit Kupferdrahtwicklung | Motor mit Kupferdrahtwicklung | Motor mit Kupferdrahtwicklung |
| Geschwindigkeitsstufe | | 3 | 3 | 3 |
| Glasmengen / Farbe | | 1 / Schwarz | 2 / Schwarz | 3 / Schwarz |
| Luftsystem | | Doppelt belüfteter Systemluftauslass | Doppelt belüfteter Systemluftauslass | Doppelt belüfteter Systemluftauslass |
| Durchmesser des Luftauslasses (mm) | | 120 | 120 | 120 |
| Anzahl der Schornsteine und Farbe | | 2 / Schwarz | 2 / Schwarz | 2 / Schwarz |
| Schornsteinlänge (mm) | | 300 | 300 | 300 |
| Kohlefiltertyp | | Optional | Optional | Optional |
| Metallfilter | | 3-lagiger Aluminiumfilter | 3-lagiger Aluminiumfilter | 3-lagiger Aluminiumfilter |
| Beleuchtungsart | | 2 x 1 W LED-Lampe (6500 K) | 2 x 1 W LED-Lampe (6500 K) | 2 x 1 W LED-Lampe (6500 K) |
| Jährlicher Energieverbrauch, AEEhood | [kWh/a] | 12,6 | 13,1 | 12,2 |
| Energieeffizienzklasse | - | A+ | A+ | A+ |
| Fluidynamische Effizienz, FDEhood | [%] | 19,4 | 18,9 | 19,4 |
| Fluidynamische Effizienzklasse | - | C | C | C |
| Lichteffizienz, LEhood | [Lux/W] | 39 | 37 | 40 |
| Lichteffizienzklasse | - | A | A | A |
| Fettfiltereffizienz, GFEhood | [%] | 52 | 61 | 67 |
| Fettfilter-Effizienzklasse | - | F | UND | D |
| 1-stufiger Luftstrom bei normalem Gebrauch | [m ³ /h] | 147 | 142 | 147 |
| 2-stufiger Luftstrom bei normalem Gebrauch | [m ³ /h] | 218 | 215 | 226 |
| 3-stufiger Luftstrom bei normalem Gebrauch | [m ³ /h] | 260 | 259 | 265 |
| 4-stufiger Luftstrom bei normalem Gebrauch | [m ³ /h] | - | - | - |
| Luftstrom bei Intensiv-/Boost-Einstellung | [m ³ /h] | - | - | - |
| A-bewertete Schalleistungsemission bei 1 Geschwindigkeit | [dB(A)] | 36 | 42 | 41 |
| A-bewertete Schalleistungsabgabe bei 2 Geschwindigkeiten | [dB(A)] | 50 | 51 | 51 |
| A-bewertete Schalleistungsabgabe bei 3 Geschwindigkeiten | [dB(A)] | 55 | 56 | 56 |
| A-bewertete Schalleistungsabgabe bei 4 Geschwindigkeiten | [dB(A)] | - | - | - |
| A-bewertete Schalleistungsabgabe bei intensiver/Boost-Geschwindigkeit | [dB(A)] | - | - | - |
| Stromverbrauch im Aus-Zustand, PO | [IN] | N / A | N / A | N / A |
| Stromverbrauch im Standby-Modus, PS | [IN] | 0,4 | 0,41 | 0,4 |
| Zeiterhöhungsfaktor, f | - | 1,3 | 1,3 | 1,3 |
| Energieeffizienzindex, EEIhood | - | 43,2 | 44,4 | 42,5 |
| Gemessene Luftstromrate am Best Efficiency Point, QBEP | [m ³ /h] | 150 | 156,5 | 162,8 |
| Gemessener Luftdruck am Best Efficiency Point, PBEP | [Also] | 120 | 112 | 110 |
| Maximaler Luftstrom, Qmax | [m ³ /h] | 260 | 259,1 | 265,1 |
| Gemessene elektrische Leistung am Best Efficiency Point, WBEP | [IN] | 25,7 | 25,9 | 25,7 |
| Nennleistung der Beleuchtungsanlage, WL | [IN] | 2 | 2 | 2 |
| Durchschnittliche Ausleuchtung der Beleuchtung auf der Kochfläche, EMittlere | [Lux] | 79 | 74 | 80 |
| Nettogewicht | [kg] | | | |
| Bruttogewicht | [kg] | | | |
| Menge pro LKW / 40HC | [Stück] | 1056/858 | 1056/858 | 1056/858 |
| Pakettyp | | Foem unterstützt Karton | Foem unterstützt Karton | Foem unterstützt Karton |
| Entflammbarkeit von Kunststoffen | | Feuerfeste Kunststoffteile | Feuerfeste Kunststoffteile | Feuerfeste Kunststoffteile |

WIGGO

Allgemeine Service- und Garantiebedingungen (Stand: Mai 2024)

Diese Service- und Garantiebedingungen gelten für den Kauf von Wiggo-Küchengeräten in der Benelux-Region nach dem 1. Mai 2024. Wir legen Wert auf exzellentes Kundenservice und Produktqualität. Für Anfragen oder Bedingungen zu früheren Käufen besuchen Sie www.wiggo.eu.

Artikel 1: Garantie

Bei Wiggo legen wir Wert auf die hervorragende Qualität und Langlebigkeit unserer Küchengeräte und streben nach einem reibungslosen Kundenerlebnis. Bei Problemen bieten wir eine passende Lösung, von der Reparatur bis zum Austausch, um Ihre Zufriedenheit sicherzustellen.

Sie haben einen Defekt entdeckt? Melden Sie ihn über unser Serviceportal unter www.wiggo.eu/services und wir helfen Ihnen schnell weiter. Unsere Garantiebedingungen geben Ihnen fünf Jahre Sicherheit nach dem Kauf unserer Geräte.

Artikel 2: Ausschlüsse von der Garantie

Obwohl wir hinter der Qualität unserer Küchengeräte stehen, gibt es bestimmte Fälle, in denen die Garantie nicht gilt:

- a. Küchengeräte, die nicht als „neu“ gekauft wurden.
- b. Mängel oder Schäden an einem Haushaltsgerät, die Wiggo nach Ablauf der 5-jährigen Garantiezeit gemeldet werden.
- c. Verwendung außerhalb des häuslichen Umfelds oder für gewerbliche Zwecke.
- d. Bei der Lieferung von Verbrauchsmaterialien, Teilen und Zubehör.
- e. Nicht autorisierte Reparaturen und/oder Verwendung nicht offizieller Teile.
- f. Küchengeräte: ohne lesbare Identifikationsnummern, außerhalb der Benelux-Länder gekauft, als B-Ware oder als Ausstellungsmodelle verkauft.
- g. Beschädigungen, normale Abnutzung oder geringfügige Abweichungen, die die Funktionalität nicht beeinträchtigen.
- h. Schäden oder Defekte an Zubehör, Türdichtungen und zerbrechlichen Elementen wie Glas, Kunststoff und Lampen.
- i. Schäden oder Mängel aufgrund von Wasserschäden oder anderen Substanzen, gegen die das Produkt nicht beständig ist, wie z. B. die Verwendung falscher Reinigungsmittel.
- j. Schäden oder Mängel aufgrund unsachgemäßer Verwendung, Bedienung, Belastung, Montage und/oder Wartung.
- k. Schäden oder Mängel außerhalb des Geräts, einschließlich Folgeschäden und indirekte Schäden.
- l. Schäden oder Defekte, die durch Handlungen verursacht wurden, die nicht der Anleitung entsprechen.
- m. Schäden oder Verluste, die normalerweise durch die Hausratversicherung abgedeckt sind.
- n. Schäden oder Defekte aufgrund von Strom- und Spannungsschwankungen, die den von Wiggo angegebenen Toleranzbereich überschreiten.
- o. Schäden oder Mängel, die durch Fahrlässigkeit des Benutzers verursacht wurden.
- p. Schäden, die durch eine externe Ursache verursacht wurden oder daraus resultieren.

Artikel 3: Garantieanspruch

- a. Probleme mit Ihrem Produkt? Melden Sie es umgehend, spätestens innerhalb von 48 Stunden, über www.wiggo.eu/services.
- b. Senden Sie uns eine Kopie Ihres Kaufbelegs, da dieser für Ihren Garantieanspruch erforderlich ist. c. Wir informieren Sie per E-Mail oder Telefon über den Bearbeitungsvorgang.
- d. Im Falle eines Austausches bleibt die ursprüngliche Garantiezeit bestehen.

Garantiebedingungen

e. Die ersetzten Teile und Geräte werden Eigentum von Wiggo.

Artikel 4: Service nach Ablauf der Garantie

- a. Sie haben nach Ablauf der Garantie ein Problem mit Ihren Küchengeräten? Füllen Sie das Serviceformular unter www.wiggo.eu/services aus.
- b. Versandkosten und/oder Anfahrtskosten für Inspektion, Reparatur oder Ersatzteile gehen zu Ihren Lasten.
- c. Wir erstellen vorab einen Kostenvorschlag für Inspektion und Reparatur. Nach Genehmigung senden wir eine Zahlungsaufforderung und vereinbaren dann einen Termin.
- d. Eventuelle Mehrkosten werden nach der Reparatur deutlich kommuniziert.
- e. Die Bezahlung an den autorisierten Servicetechniker erfolgt bequem per QR-Code oder Zahlungsaufforderung.

Artikel 5: Ansprüche

Neben den Rechten aus gesetzlichen Gewährleistungen oder weiteren von Ihnen eingegangenen Garantien stehen Ihnen keine anderen als die in dieser Garantie genannten Ansprüche zu.

Artikel 6: Internationale Nutzung

Wenn Sie Ihr Wiggo-Gerät ins Ausland mitnehmen, erlischt die Garantie. Prüfen Sie die lokalen Garantien und stellen Sie sicher, dass Ihr Gerät die technischen Anforderungen (wie Spannung, Frequenz, Gasart usw.) und klimatischen Bedingungen dort erfüllt.

Artikel 7: Servicebesuch und Wartung

- a. Wenn der Techniker feststellt, dass kein tatsächliches Problem vorliegt (das Produkt funktioniert wie es sollte), wird Ihnen der Besuch des Technikers in Rechnung gestellt. Diese Kosten basieren auf den zu diesem Zeitpunkt geltenden Tarifen.
- b. Nicht funktionierende oder defekte Geräte müssen leer und sauber sein, wenn der autorisierte Servicetechniker zur Reparatur oder zum Austausch kommt. Ist dies nicht der Fall, kann der Techniker oder der Spediteur den Austausch verweigern und in Rechnung stellen.
- c. Die Bezahlung an den autorisierten Servicetechniker erfolgt bequem über einen QR-Code oder eine Zahlungsaufforderung.

Artikel 8: Haftung

Wir haften nur bis zur Höhe der von unserer Versicherung gedeckten Summe. Bitte beachten Sie: Für Küchengeräte, die nicht von Wiggo stammen, oder kurzfristige Stornierungen (mindestens 24 Stunden im Voraus) fallen Gebühren an. Diese Gebühren richten sich nach den jeweils gültigen Tarifen.

Artikel 9: Datenschutz

Bei der Erbringung von Dienstleistungen erhebt und verarbeitet Wiggo personenbezogene Daten. Weitere Informationen hierzu finden Sie unter www.wiggo.eu.

Artikel 10: Gesetz und Streitigkeiten

Diese Garantie- und Servicebedingungen unterliegen niederländischem Recht mit Ausnahme des Wiener Kaufrechts. Streitigkeiten werden vom zuständigen niederländischen Gericht entschieden.



www.wiggo.eu

Besuchen Sie unsere Website!

WIGGO



MODE D'EMPLOI

HOTTE CHEMINÉE EN VERRE

- Consignes de sécurité
- Instructions d'installation
- Utilisation du produit

Modèles

WE-A531G

WE-A532G

WE-A533G

Manuel d'utilisation

wiggo.eu

5 ANS
GARANTIE

Grand bonjour!



Rejoignez notre communauté!

Merci de nous permettre de cuisiner avec vous et de faire partie de votre cuisine chaleureuse. Nous sommes extrêmement heureux de vous avoir au sein de notre communauté Wiggo et avons hâte d'apporter plus de positivité à votre lieu.

Laissez libre cours à votre créativité et prenez un selfie avec votre nouveau compagnon de cuisine pour gagner des prix incroyables avec nous.

N'oubliez pas de nous identifier ! @wiggo_eu

À des repas frais!

**Obtenez tout
le soutien
dont vous
avez besoin !**



SCANNEZ-MOI POUR

**Obtenez la version la plus récente
de ce manuel !**

wiggo.eu/support/downloads/



SCANNEZ-MOI POUR

Enregistrer votre produit !

wiggo.eu/support/register/



SCANNEZ-MOI POUR

Lire les conditions de garantie !

docs.wiggo.eu/books/mzsp/



SCANNEZ-MOI POUR

**Remplir le formulaire de
demande de service !**

wiggo.eu/support/services/service-request-form/



SCANNEZ-MOI POUR

**Remplir le formulaire de
demande de pièces !**

wiggo.eu/support/services/part-request-form/

NOS SERVICES

Livraison
rapide



Entretien



Réparation
rapide



Installation



Veillez d'abord lire le manuel d'utilisation !

Cher client,











Notre objectif est de vous offrir une utilisation sûre et efficace de notre produit, fabriqué selon des normes de qualité élevées dans des installations modernes, pour votre cuisine. Pour une expérience optimale, nous vous recommandons vivement de lire attentivement ce manuel et les documents qui l'accompagnent avant utilisation.

En suivant attentivement toutes les instructions, avertissements de sécurité et informations techniques contenus dans ce manuel, vous vous protégez, vous et votre produit, contre les risques potentiels. Portez une attention particulière aux branchements électriques, aux conseils de nettoyage et aux instructions d'utilisation.

N'oubliez pas de conserver le manuel d'utilisation. Si vous cédez le produit à un autre utilisateur, veillez à le lui remettre également. Les conditions de garantie, les conseils d'entretien et les méthodes de dépannage de votre hotte sont détaillés dans ce manuel.

Explication des symboles :

Les symboles suivants sont utilisés dans ce manuel d'utilisation.

| | | | |
|---|---|---|--|
|  | Avertissement de choc électrique |  | Avertissement de risque d'incendie |
| | Ce symbole indique qu'il existe un danger pour la vie et la santé des personnes en raison de la tension. | | Avertissement de risque d'incendie |
|  | Danger |  | Information |
| | Ce symbole indique qu'il existe des dangers pour la vie et la santé des personnes en raison de gaz extrêmement inflammables. | | Informations importantes ou instructions utiles sur l'utilisation de cet appareil |
|  | Prudence |  | Avertissement |
| | Le mot d'avertissement indique un danger présentant un faible degré de risque qui, s'il n'est pas évité, peut entraîner des blessures mineures ou modérées. | | Le mot d'avertissement indique un danger présentant un niveau de risque moyen qui, s'il n'est pas évité, peut entraîner la mort ou des blessures graves. |
|  | Attention |  | Respecter les instructions |
| | Le mot d'avertissement indique une information importante (par exemple, des dommages matériels), mais pas un danger. | | Ce symbole indique qu'un technicien de service doit utiliser et entretenir cet appareil uniquement conformément aux instructions d'utilisation. |
|  | Avertissement concernant les surfaces chaudes |  | Marquage CE |
| | Avertissement concernant les surfaces chaudes | | À la date de fabrication, ce produit a été testé et jugé conforme aux spécifications du marquage CE |



Contenu

CARACTÉRISTIQUES

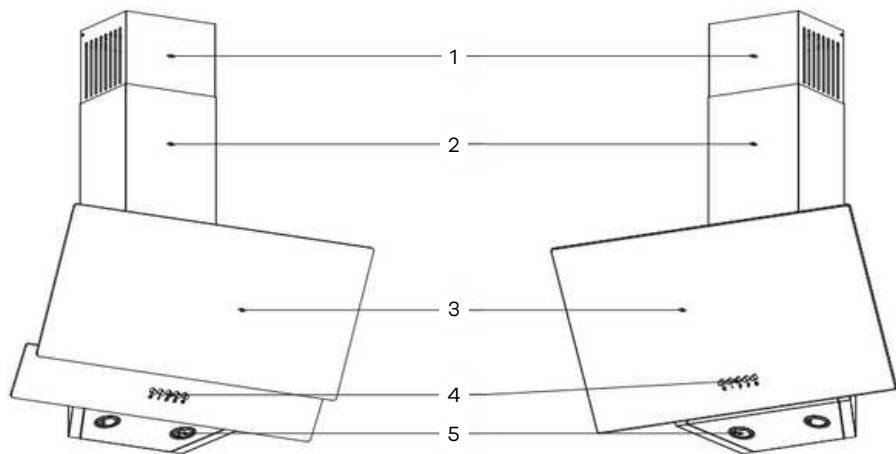
INFORMATIONS DE SÉCURITÉ

INSTALLATION

FONCTIONNEMENT ET UTILISATION DE LA HOTTE

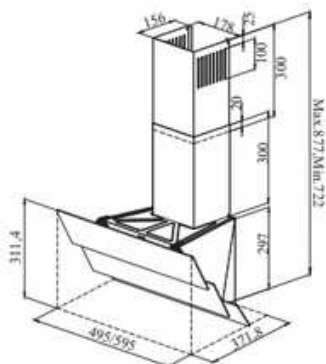
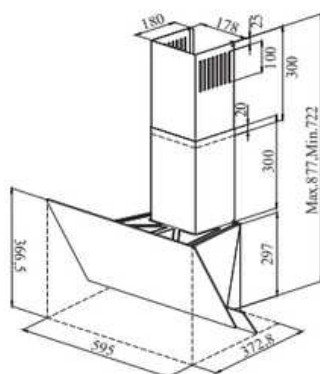
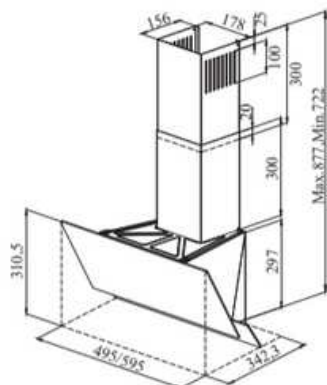
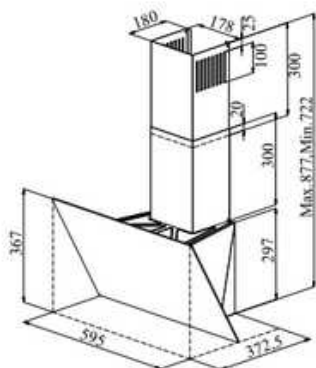
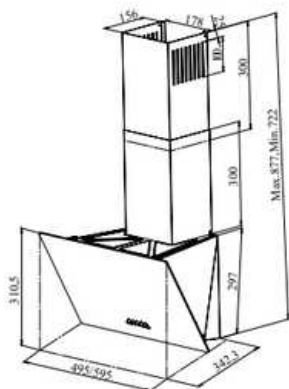
SERVICE, PIÈCES SPATIALES, GARANTIE

CARACTÉRISTIQUES



| | |
|---|---------------------------------------|
| 1 | Conduit intérieur réglable en hauteur |
| 2 | Conduit de fumée extérieur fixe |
| 3 | Conduit de fumée extérieur fixe |
| 4 | Panneau de contrôle |
| 5 | Foudre |

CARACTÉRISTIQUES



CARACTÉRISTIQUES TECHNIQUES

| | |
|--|-----------------------|
| Tension et fréquence | 110-240 VCA, 50/60 Hz |
| Puissance totale du produit | Min. 2 W, Max. 36 W |
| Puissance du moteur | 34W |
| Puissance de la lampe | 2 x 1 W |
| Tension de fonctionnement de la lampe | 12 V CC |
| Panneau de contrôle | 3 réglages de vitesse |
| Diamètre de raccordement de sortie d'air | Ø120mm |
| Largeur du produit | 495-595 mm |
| Profondeur du produit | 344-373 mm |
| Hauteur du produit | 597 mm - 877 mm |

INFORMATIONS DE SÉCURITÉ

Avertissements généraux

- Ce produit est destiné à un usage domestique. Son utilisation à des fins commerciales ou industrielles annule la garantie et peut présenter un risque pour la sécurité.
- L'installation du produit par des personnes non autorisées peut entraîner une baisse des performances, des dommages permanents, voire des accidents. Par conséquent, nous recommandons fortement que l'installation soit effectuée uniquement par un personnel agréé.
- Utilisez l'appareil uniquement conformément aux instructions spécifiées dans le manuel d'utilisation.
- Ne pas effectuer de connexions sur l'appareil s'il a été endommagé pendant le transport.

Utilisation prévue

- L'appareil est conçu pour filtrer ou expulser efficacement la vapeur, la fumée, les particules de graisse et les odeurs indésirables qui se produisent pendant la cuisson dans la cuisine.

Restriction sur les groupes d'utilisateurs

- Cet appareil peut être utilisé par des enfants de 8 ans et plus, des personnes sans déficience physique, sensorielle ou mentale ou des personnes sans manque d'expérience ou de connaissances ; à condition qu'elles bénéficient d'une surveillance ou d'instructions pour l'utilisation sûre de l'appareil et qu'elles comprennent les dangers.

SÉCURITÉ GÉNÉRALE

ATTENTION - RISQUE D'ÉTOUFFEMENT !

- Les matériaux d'emballage sont dangereux pour les enfants. Ne les laissez jamais jouer avec.
- Gardez les petites pièces hors de portée des enfants. Ne laissez pas les enfants jouer avec.

ATTENTION - RISQUE D'ÉLECTROCUTION !

- Les appareils défectueux ou endommagés ne doivent jamais être utilisés.
- Si l'appareil ou le câble de connexion réseau est défectueux, la fiche doit être immédiatement débranchée ou le fusible doit être coupé du boîtier à fusibles.
- Pour votre propre sécurité et celle du produit, utilisez un fusible « Maximum 6A » dans l'installation électrique à laquelle la hotte est raccordée.
- Les réparations incorrectes sont dangereuses. Seul un personnel qualifié et formé à cette procédure peut effectuer des réparations sur l'appareil.
- Lors de la réparation de l'appareil, seules des pièces de rechange d'origine doivent être utilisées.

- Si le câble électrique de l'appareil est endommagé, il doit être remplacé par un personnel qualifié. Ne touchez jamais la prise avec les mains mouillées.
- Pour débrancher l'appareil, ne tenez pas le câble de la prise mais son corps.
- La prise doit être débranchée ou le fusible doit être éteint de la boîte à fusibles avant le nettoyage.
- N'utilisez pas de nettoyeurs à vapeur ou de nettoyeurs haute pression pour nettoyer l'appareil.
- Les pièces à bords tranchants à l'intérieur de l'appareil peuvent endommager le câble de connexion.
- Le câble de connexion ne doit pas être plié ou pincé.
- L'appareil doit être branché uniquement sur un réseau électrique à courant alternatif via une prise de terre installée conformément aux règles.
- Lors de l'installation de l'appareil, veillez à ce que le câble électrique ne soit pas pincé ou endommagé.
- La prise électrique de la ligne de raccordement au réseau doit être facilement accessible après l'installation de l'appareil.
- Si cela n'est pas possible, un ensemble de déconnexion multipolaire doit être installé conformément aux conditions de protection contre les surtensions de catégorie III et aux réglementations d'installation pour l'installation électrique fixe.
- L'installation électrique fixe doit être réalisée uniquement par un électricien. Nous vous recommandons d'installer un dispositif différentiel résiduel (DDR) dans le circuit d'alimentation.
- L'appareil est classé dans la classe de protection 1. Par conséquent, il ne doit être utilisé qu'avec des prises avec mise à la terre.
- Ne pas brancher l'électricité avant que l'installation de la hotte soit terminée.

ATTENTION - RISQUE D'INCENDIE !

- Le câble branché ne doit pas être placé à proximité de la cuisinière car il pourrait fondre en raison des températures élevées et provoquer un incendie.
- Les résidus d'huile dans les filtres à huile peuvent s'enflammer. N'utilisez jamais l'appareil sans le filtre à huile.
- Le filtre à huile doit être nettoyé régulièrement.
- Il ne doit absolument pas y avoir d'utilisation de flamme nue à proximité de l'appareil (par exemple, cuisson à la flamme).
- Les distances de sécurité spécifiées doivent être respectées afin d'éviter toute déformation due à la chaleur, à des dommages permanents ou à des situations susceptibles de compromettre la sécurité du produit et de l'utilisateur.
- Une fois l'installation de la hotte terminée, la distance minimale doit être de 60 cm entre le produit et toute cuisinière électrique ; et de 65 cm entre celui-ci et toute cuisinière à gaz ou autre combustible inflammable. Si votre cuisinière est équipée de composants électriques et de composants à gaz combustibles, la distance minimale spécifiée pour les cuisinières à gaz doit être respectée. De plus, si une distance plus importante est spécifiée dans les instructions d'installation des cuisinières à gaz, vous devez impérativement suivre ces instructions.
- Les huiles et graisses chaudes s'enflamment facilement. Ne les laissez jamais sans surveillance.

- L'huile qui prend feu ne doit jamais être éteinte avec de l'eau. La plaque de cuisson doit être recouverte. Éteignez les flammes avec précaution à l'aide d'une couverture, d'une couverture anti-feu ou d'un matériau similaire.

ATTENTION - RISQUE DE BRÛLURE !

- Laissez l'appareil refroidir avant de procéder au nettoyage et à l'entretien. Coupez le fusible et débranchez l'appareil de la prise.
- Ne touchez en aucun cas les zones chaudes.

AVERTISSEMENT - RISQUE DE BLESSURE !

- Les pièces internes de l'appareil peuvent présenter des bords tranchants. Il est donc conseillé de nettoyer soigneusement l'intérieur de l'appareil.
- Les objets placés sur l'appareil peuvent tomber ; ne placez aucun objet sur l'appareil.
- Toute modification électrique ou mécanique est dangereuse et peut entraîner des dysfonctionnements. N'effectuez aucune modification électrique ou mécanique.
- La lumière des LED est très vive et peut endommager les yeux. Ne regardez pas directement les LED allumées pendant plus de 60 secondes.
- Si l'appareil n'est pas correctement fixé, il risque de tomber. Tous les éléments de fixation doivent être serrés et solidement fixés.
- L'appareil est lourd ; 2 personnes sont nécessaires pour le déplacer.
- Utilisez uniquement des matériaux auxiliaires appropriés.
- L'appareil ne doit pas être monté directement sur des cloisons sèches ou des matériaux de construction légers similaires.
- Pour un montage correct, il faut utiliser un matériau suffisamment stable et adapté à l'environnement de construction et au poids de l'appareil.

ATTENTION - RISQUE D'INTOXICATION !

- Les gaz inflammables réaspirés peuvent provoquer une intoxication. Les appareils de chauffage ventilés (par exemple, les appareils de chauffage au gaz, au fioul, au bois ou au charbon, les chauffe-douches, les chauffe-eau) prélèvent l'air de combustion sur le lieu d'installation et évacuent les gaz brûlés par un système d'évacuation des gaz brûlés (par exemple, un conduit de fumée).
- Lorsque la hotte est en marche, elle aspire l'air de la cuisine et des pièces voisines. Si l'entrée d'air est insuffisante, une dépression se crée. Dans ce cas, les gaz toxiques sont absorbés par le conduit de fumée et les gaz d'échappement, puis évacués vers la porte. Assurez-vous que l'appareil est toujours ventilé lorsqu'il fonctionne avec une cuisinière raccordée à l'air ambiant en mode air vicié.

PROTECTION DE L'ENVIRONNEMENT



Cet appareil est conforme à la directive européenne 2012/19/CE relative aux déchets d'équipements électriques et électroniques (DEEE). En procédant à la mise au rebut appropriée de ce produit, vous préviendrez les effets négatifs potentiels sur l'environnement et la santé humaine d'une mauvaise manipulation.



Le symbole figurant sur le produit ou sur la documentation fournie indique que cet appareil ne doit pas être traité comme un déchet ménager. Il doit être déposé dans un point de collecte dédié au recyclage de ce type d'équipements électriques et électroniques. L'élimination des déchets doit être effectuée conformément à la réglementation environnementale locale. Pour plus d'informations sur les conditions de recyclage de ce produit, veuillez consulter le service compétent de votre municipalité, le service des déchets ou le vendeur du produit.

INSTALLATION

AVANT DE DÉBALLER L'APPAREIL :

Assurez-vous que votre installation électrique est adaptée. En cas de doute, faites appel à un électricien qualifié pour les dispositions nécessaires. Il est de la responsabilité du client de préparer le lieu d'installation du produit et l'installation électrique. Les normes locales relatives aux installations électriques doivent être respectées lors de l'installation du produit. Vérifiez l'absence de dommages sur le produit avant de l'installer. Ne faites pas installer le produit s'il est endommagé. Les produits endommagés présentent un risque pour votre sécurité.

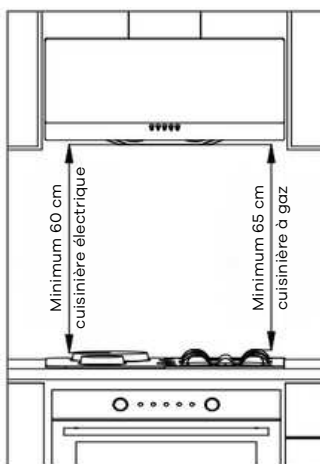
AVERTISSEMENT ! Une bonne ventilation de la pièce est essentielle pour un fonctionnement sûr de votre produit. En l'absence de fenêtre, une ventilation supplémentaire (par exemple, en ouvrant une fenêtre) doit être prévue. Si votre cuisine possède une ventilation, ne l'obstruez pas. Vérifiez l'état des autres matériaux (par exemple, accessoires de montage, manuel d'utilisation) à l'intérieur de la hotte, retirez-les et conservez-les dans un endroit séparé. Ne les conservez jamais à l'intérieur de la hotte. N'installez pas l'appareil sur des surfaces telles que du carrelage, du verre ou du silicone. Installez-le uniquement au mur.

Ne laissez pas les enfants jouer avec les matériaux d'emballage !

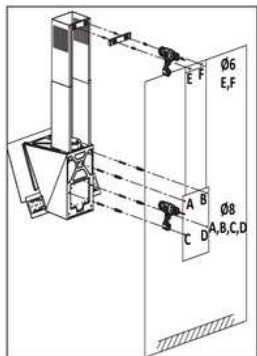
INSTALLER L'APPAREIL

Suivez les étapes ci-dessous pour installer le produit.

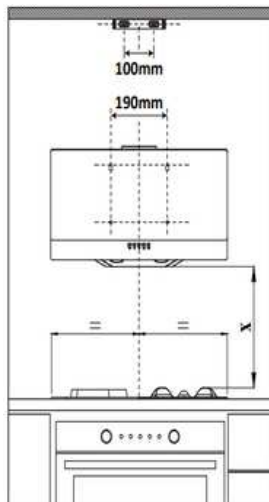
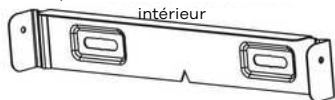
Position de l'appareil : Après avoir terminé l'installation de la hotte, la distance doit être de 60 cm entre le produit et toute cuisinière électrique ; et de 65 cm entre celui-ci et toute cuisinière à gaz ou cuisinière brûlant d'autres combustibles.



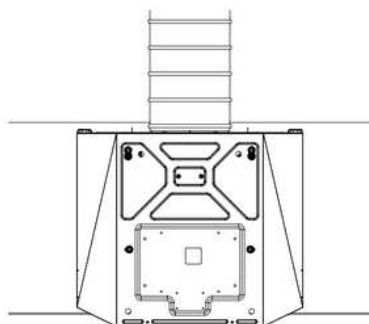
- Percez des trous dans le mur avec un foret de $\varnothing 8$ mm (A, B, C, D) et insérez des chevilles en plastique de $\varnothing 8$ mm dans ces trous que vous avez percés en utilisant le gabarit d'installation à côté de l'équipement d'installation à l'intérieur de la boîte du produit.
- Percez des trous dans le mur pour la plaque de raccordement du conduit de fumée intérieur avec un foret de $\varnothing 6$ mm (E,F) et insérez des chevilles en plastique de $\varnothing 6$ mm dans ces trous en tenant compte de la hauteur de la zone d'installation.
- Serrez 2 des vis 4,8x50 sur les chevilles aux points A et B. Assurez-vous de garder une distance de 5 mm entre la tête de vis et le mur.
- Fixez la plaque de raccordement du conduit intérieur aux chevilles $\varnothing 6$ mm aux points E et F que vous avez enfoncées dans le mur à l'aide de vis 3,9x22 RYSB.



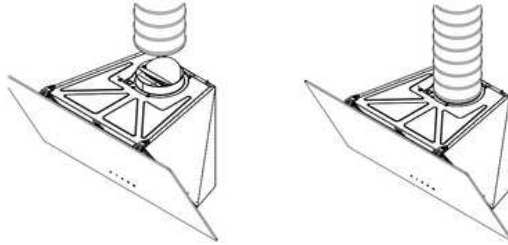
Plaque de raccordement du conduit intérieur



- Accrochez la hotte en insérant les fentes de suspension sur les vis que vous avez précédemment montées dans les trous A et B, en laissant un espace de 5 mm entre les têtes de vis et la surface du mur.



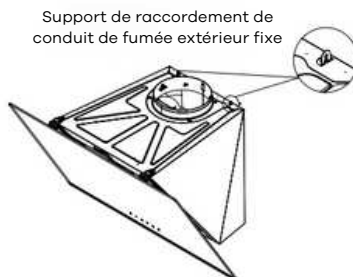
- Après avoir tiré le couvercle en verre de la hotte vers vous pour l'ouvrir, retirez le filtre à cassette en aluminium. Fixez ensuite le produit en serrant les autres vis YSB 4,8x50 dans les chevilles en plastique visibles de l'intérieur, au niveau des trous C et D.
- Raccordez la hotte au tuyau en aluminium. Après avoir glissé le tuyau flexible en aluminium sur le conduit en plastique, fixez-le à l'aide d'un serre-câble ou d'un collier en plastique, sans trop serrer. Insérez l'autre extrémité du tuyau dans le trou du conduit.
- Avant de raccorder les tuyaux, vérifiez les clapets en plastique au point de sortie d'air du produit. Faites fonctionner votre hotte avant de raccorder les tuyaux et assurez-vous que les clapets se déplacent vers le haut et permettent à l'air de sortir. Sinon, inversez leur direction.



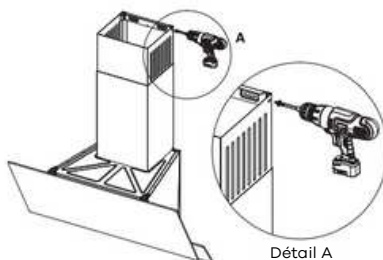
- Un serrage excessif du serre-câble ou du collier de serrage utilisé lors du raccordement du tuyau peut empêcher le fonctionnement des clapets. Par conséquent, avant de raccorder le tuyau au conduit de fumée de votre maison, vérifiez le bon fonctionnement des clapets en faisant fonctionner votre hotte.
- Insérez soigneusement le conduit extérieur dans le conduit intérieur.



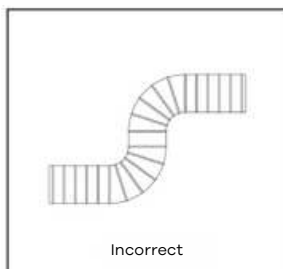
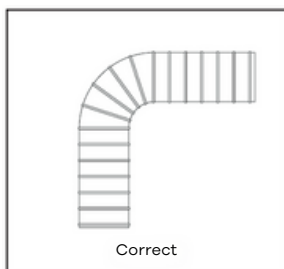
- Pour utiliser votre hotte efficacement ; Tirez le conduit intérieur vers le haut à travers le conduit extérieur et vissez-le à la plaque de raccordement du conduit intérieur préalablement fixée au mur à l'aide d'une vis RYSB 3,5x6,5.



- Fixez le conduit extérieur aux supports de raccordement du conduit (deux sur le dessus de la hotte) sur la surface supérieure de la hotte à l'aide d'une vis RYSB 3,5x6,5.



- Utilisez un tuyau de 120 mm de diamètre et le moins de coudes possible pour raccorder la hotte au conduit de fumée. Les torsions et les courbures du tuyau en aluminium réduisant la puissance d'aspiration, évitez donc autant que possible les torsions et les courbures.
- Veillez à nettoyer régulièrement le filtre à cassette en aluminium et aux intervalles de remplacement des filtres à charbon.



FONCTIONNEMENT ET UTILISATION DE LA HOTTE

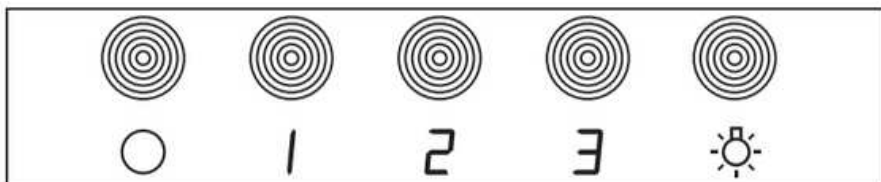
Prudence

Avant d'utiliser la hotte, assurez-vous que toutes les connexions mécaniques et électriques sont effectuées.

Ne laissez aucun objet étranger à l'intérieur de la hotte. Assurez-vous qu'il n'y a pas de matériaux d'emballage à proximité.

Avant d'utiliser le ruban de protection bleu sur les bords du filtre à cassette en aluminium de la hotte, retirez-le impérativement. Si ce ruban reste en place, il peut s'enflammer sous l'effet d'une forte chaleur et présenter un risque pour la sécurité. Assurez-vous d'avoir entièrement retiré tous les rubans de protection avant d'utiliser l'appareil.

CONTRÔLE MÉCANIQUE



SÉLECTION DE LA VITESSE

- La hotte peut fonctionner à 3 vitesses différentes en fonction du niveau de vapeur produit pendant la cuisson :
 - Vitesse : Pour une vapeur légère et une odeur
 - Vitesse : Pour une vapeur et une odeur moyennes
 - Vitesse : Pour une vapeur et une odeur intenses

Suggestion : Une fois la cuisson terminée, faites fonctionner la hotte un peu plus longtemps pour éliminer les odeurs restantes.

COMMENT UTILISER

- Pour allumer la hotte, appuyez sur le bouton 1, 2 ou 3.
- Appuyez sur le bouton 0 pour l'éteindre.
- Utilisez le bouton avec l'icône de la lampe pour contrôler l'éclairage.

FONCTIONNEMENT ET UTILISATION DE LA HOTTE

PROPRIÉTÉS DE L'APPAREIL

- La hotte est utilisée dans les cuisines avec ou sans conduits de fumée.
- Le produit s'éteindra automatiquement après 6 heures si aucun bouton n'est appuyé après son démarrage.

FONCTIONNEMENT AVEC CONDUIT DE FUMÉE

- Lorsqu'elle est utilisée avec un conduit de fumée, la hotte doit être raccordée à ce conduit. Pour une utilisation optimale de votre hotte, le conduit de fumée doit être le plus court possible et le flux d'air doit être libre. Notre produit est conçu pour être utilisé avec un conduit de fumée.

Attention ! Aucun autre conduit d'air ne peut être raccordé aux ouvertures d'aspiration de la hotte.

EN CAS DE FONCTIONNEMENT SANS CONDUIT DE FUMÉE

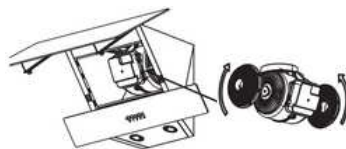
Filtre à charbon actif

Dans les environnements sans raccordement de conduit de fumée vers l'extérieur, un filtre à charbon actif doit être utilisé pour filtrer et réintroduire les odeurs et l'air intérieurs. La sortie de fumée du produit ne doit pas rester fermée en raison d'un contact avec le plafond ou un placard. Des filtres à charbon sont également disponibles auprès de nos services agréés.



Remplacement du filtre à charbon actif

Deux filtres à charbon doivent être utilisés dans le produit. Pour installer le filtre à charbon, alignez et tournez d'un demi-tour dans le sens des aiguilles d'une montre les rainures du couvercle du moteur et les languettes du filtre à charbon. Tournez d'un demi-tour dans le sens inverse des aiguilles d'une montre pour le retirer.



NETTOYAGE ET ENTRETIEN

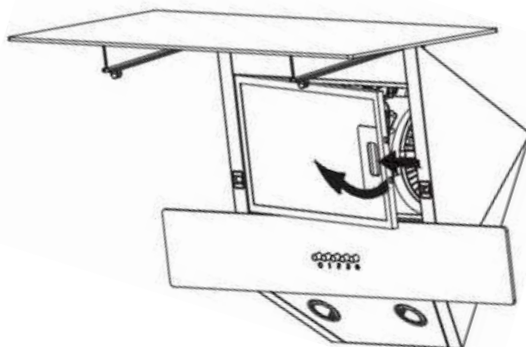
Avant d'effectuer les travaux d'entretien et de nettoyage, le câble d'alimentation doit être débranché ou l'interrupteur auquel la hotte est connectée doit être éteint.

Les surfaces de la hotte peuvent être essuyées avec un chiffon imbibé d'eau savonneuse.

N'utilisez pas de produits chimiques abrasifs ou dangereux. Veillez à éviter tout contact des composants électroniques avec l'eau ou des matières similaires. Pour les produits en acier inoxydable, l'utilisation de produits de nettoyage et d'entretien disponibles dans le commerce prolongera leur durée de vie. Les filtres à cassette en aluminium peuvent être lavés au lave-vaisselle.

Le filtre à cassette en aluminium doit être nettoyé à l'eau chaude savonneuse ou, si possible, uniquement au lave-vaisselle (maximum 60 °C) tous les quelques mois, selon l'intensité d'utilisation (environ après 40 heures de fonctionnement). Après le lavage, la couleur du filtre à cassette en aluminium et de son cadre peut changer. Ce phénomène est normal et n'affecte pas le fonctionnement des filtres.

Retirez le filtre à cassette en aluminium en appuyant sur le clip à ressort situé à l'extrémité. Après le nettoyage, laissez sécher. N'installez pas le produit avant qu'il ne soit sec.



NETTOYAGE ET ENTRETIEN

FILTRES À CASSETTE EN ALUMINIUM LAVABLES

Si vous souhaitez remplacer votre filtre à cassette en aluminium, veuillez contacter le centre de service agréé le plus proche et en faire la demande. Pour ce faire, veuillez fournir le numéro de modèle figurant sur la plaque signalétique de votre produit. Les autres marques et modèles de filtres disponibles sur le marché ne sont pas compatibles avec votre produit.



INFORMATIONS GÉNÉRALES SUR LES LAMPES ET LEUR REMPLACEMENT

La hotte est équipée d'un système d'éclairage LED. Les LED sont environ dix fois plus durables que les lampes classiques, tout en offrant un éclairage idéal et des économies d'énergie allant jusqu'à 90 %.

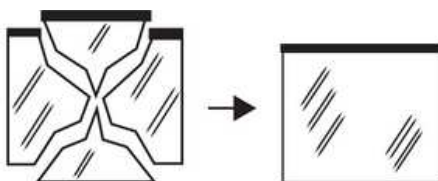
Si vous rencontrez une déformation physique ou des problèmes liés aux performances d'éclairage de la hotte, veuillez contacter un service agréé.

S'il y a des fissures ou des cassures sur la surface de la lampe, veuillez contacter le service agréé pour organiser un remplacement.

Si les lampes doivent être remplacées, veuillez vérifier les informations ci-dessous et les remplacer par une alternative qui répond à ces spécifications techniques.

- Code ILCOS D : DBR-1-H (code ILCOS D selon la norme IEC 61231)
- Module LED - Plastique translucide
- Puissance nominale de chaque lampe ; 1 W
- Puissance maximale de la lampe pour un remplacement potentiel ; 2 x 1 W
- Dimensions du produit ; diamètre : 35,8 mm / hauteur : 30 mm

Vous pouvez obtenir de nouvelles lampes auprès de votre service si nécessaire.



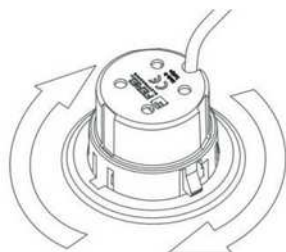
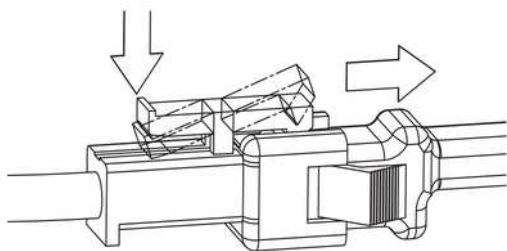
NETTOYAGE ET ENTRETIEN

REPLACEMENT DES LAMPES

Avant de remplacer les lampes, débranchez le câble d'alimentation de la hotte. Soulevez ensuite la vitre avant pour retirer le filtre à cassette en aluminium.

Ensuite :

- Après avoir relâché le mécanisme de verrouillage, appuyez sur la languette en plastique à l'arrière comme indiqué à gauche pour détacher les douilles et les fiches de la lampe les unes des autres
- Faites pivoter les deux languettes de fixation de la lampe dans le sens horaire ou antihoraire afin de les aligner avec les ouvertures du panneau d'éclairage en maintenant le corps de la lampe. Une fois les languettes alignées avec les ouvertures, maintenez le corps de la lampe et faites-le sortir. Répétez toutes les étapes dans l'ordre inverse pour installer la lampe.



SERVICE, PIÈCES DE RECHANGE, GARANTIE

LES QUESTIONS AUXQUELLES LES CONSOMMATEURS DEVRAIENT PRÊTER ATTENTION CONCERNANT LA GARANTIE

Conservez le certificat de garantie. Le produit est considéré comme hors garantie si le certificat de garantie ne peut être présenté. Les composants et accessoires auxiliaires achetés avec le produit sont hors garantie. Les matériaux dont le remplacement est spécifié dans le manuel d'utilisation dans les délais et selon la durée d'utilisation ne sont pas non plus couverts par la garantie.

LES CAS SUIVANTS NE SONT PAS COUVERTS PAR LA GARANTIE :

- Les dommages et pannes résultant d'erreurs d'installation et d'utilisation contraires à ce qui est indiqué dans le manuel du produit,
- Les dommages et dysfonctionnements survenant lors du chargement, du déchargement et de la manutention après la livraison du produit au client,
- Les dommages et pannes survenant en raison d'une sous-tension ou d'une surtension, d'une installation électrique défectueuse, de l'utilisation de l'appareil avec une valeur de tension différente de celle spécifiée sur la plaque signalétique du produit,
- Les dommages et/ou défauts survenant à la suite d'un incendie ou d'un coup de foudre,
- Défaillances dues à une utilisation contraire aux points spécifiés dans le manuel du produit, auxquelles l'utilisateur doit prêter attention.
- Bris de verre
- Les erreurs résultant d'interventions ou de tentatives de réparation de l'appareil par une personne autre que le personnel autorisé.
- Les erreurs survenant en raison d'une pièce autre que celles fournies par l'importateur sont installées sur l'appareil

Il incombe aux vendeurs, revendeurs, agences ou agents auprès desquels le consommateur a acheté le produit de remplir le certificat de garantie et de le remettre au consommateur. Cette garantie est annulée si le certificat de garantie est endommagé ou si le numéro de série d'origine du produit est retiré ou endommagé. Les filtres en aluminium utilisés dans les hottes doivent être nettoyés selon les intervalles et les méthodes spécifiés dans le manuel. Un ternissement ou une décoloration peuvent apparaître sur les filtres au fil du temps, en fonction de l'utilisation. Ces phénomènes sont normaux, n'affectent pas le fonctionnement de l'appareil et ne sont pas couverts par la garantie. Un ternissement, une oxydation et des ondulations peuvent apparaître sur la surface des produits en acier inoxydable si les avertissements spécifiés dans le manuel ne sont pas respectés. Ces phénomènes ne sont pas couverts par la garantie.

SERVICE, PIÈCES DE RECHANGE, GARANTIE

Avertissements concernant l'expédition et le transport

- Suivez les indications indiquées sur l'emballage lors de l'expédition

Si vous avez besoin de transport ;

- Conserver l'emballage d'origine.
- Utilisez l'emballage d'origine pour transporter l'appareil, suivez les indications de manipulation figurant sur l'emballage.

Si l'emballage d'origine est manquant ;

- Ne placez pas d'objets lourds sur le capot.

SERVICES APRÈS-VENTE :

Veillez contacter le fabricant pour connaître l'agent de service agréé le plus proche.

- Lorsque vous achetez le produit, veuillez faire approuver sa garantie par votre revendeur agréé.
- Lorsque vous avez une demande de service concernant votre produit, vous pouvez appeler la ligne d'assistance aux consommateurs.
- Demandez au technicien qui vient effectuer la prestation de vous montrer « sa carte d'identité de technicien ».
- N'oubliez pas de demander un reçu de service après avoir terminé les travaux. Ce reçu vous sera utile si vous rencontrez à nouveau des problèmes avec le produit.
- Durée de vie utile : 10 ans. Durant cette période, le fabricant garantit la disponibilité des pièces de rechange nécessaires au produit.

SI LA HOTTE NE FONCTIONNE PAS :

Avant de contacter le service :

Assurez-vous que l'appareil est branché et que les fusibles sont en bon état. N'effectuez aucune opération susceptible d'endommager le produit. Vérifiez votre hotte conformément au tableau 1 avant de contacter le service après-vente. Si le problème persiste, contactez le service après-vente agréé le plus proche.

Service et pièces de rechange :

En cas de besoin, vous pouvez obtenir des pièces de rechange pour votre produit auprès de votre service après-vente agréé. Lorsque vous contactez votre service après-vente ou votre revendeur, veuillez lui indiquer le nom du produit et le modèle figurant sur l'étiquette afin de pouvoir demander des pièces de rechange. L'étiquette est visible lorsque vous retirez la cartouche filtrante en aluminium.

DÉPANNAGE

| Problème | Cause possible | Solution |
|---|---|--|
| L'appareil ne fonctionne pas. | L'appareil n'est peut-être pas branché. | Assurez-vous que le cordon d'alimentation est branché. |
| | La touche Marche/Arrêt n'est peut-être pas enfoncée. | Appuyez sur la touche Marche/Arrêt. |
| | Un corps étranger est peut-être coincé dans le ventilateur du moteur. Si le mouvement du moteur est entravé, celui-ci s'arrêtera dans le cadre du scénario de protection. | Le produit doit être débranché. Après la coupure de courant, retirez tout corps étranger coincé dans le ventilateur et gênant son mouvement. |
| L'éclairage ne fonctionne pas. | L'appareil n'est peut-être pas branché. | Assurez-vous que le cordon d'alimentation est branché. |
| | La clé de l'appareil peut ne pas fonctionner. | Vérifiez le bouton. |
| | La lampe peut être défectueuse | Remplacer la lampe |
| Les performances de l'appareil ne sont pas adéquates ou l'appareil fait trop de bruit pendant son fonctionnement. | Si vous utilisez la hotte sans conduit de fumée, les filtres à charbon peuvent avoir plus de 4 mois. | Remplacez les filtres à charbon. |
| | Il se peut qu'il n'y ait pas suffisamment d'air frais entrant dans votre cuisine pour assurer la circulation de l'air. | Laissez l'environnement être aéré en ouvrant les fenêtres. |
| | La sortie d'air peut être partiellement ou complètement obstruée. | Vérifiez que le chemin d'évacuation de l'air est dégagé. |

Remarque : si vous ne parvenez pas à résoudre le problème malgré les instructions de cette section, vous pouvez contacter notre service agréé le plus proche ou obtenir de l'aide auprès de notre centre d'appels.

<https://wiggo.eu/support/services/>

WIGGO

Conditions générales de service et de garantie (mai 2024)

Ces conditions de service et de garantie s'appliquent aux achats d'appareils de cuisine Wiggo dans la région du Benelux après le 1er mai 2024. Nous nous engageons à offrir un excellent service client et une qualité de produit excellente ; pour toute demande de renseignements ou conditions sur les achats précédents, visitez www.wiggo.eu.

Article 1 : Garantie

Chez Wiggo, nous nous engageons à l'excellente qualité et à la durabilité de nos appareils de cuisine, et nous nous efforçons d'offrir une expérience client fluide. En cas de problème, nous proposons une solution adaptée, de la réparation au remplacement, pour garantir votre satisfaction.

Vous avez trouvé un défaut ? Signalez-le via notre portail de service sur www.wiggo.eu/services pour une assistance rapide. Nos conditions de garantie vous offrent cinq ans d'assurance après l'achat de nos appareils.

Article 2 : Exclusions de la Garantie

Bien que nous soyons garants de la qualité de nos appareils de cuisine, il existe certains cas où la garantie ne s'applique pas :

- a. Appareils de cuisine qui n'ont pas été achetés comme « neufs ».
- b. Défauts ou dommages sur un appareil électroménager signalés à Wiggo après la période de garantie de 5 ans.
- c. Utilisation dans un environnement non domestique ou à des fins commerciales.
- d. Sur la fourniture de consommables, pièces et accessoires.
- e. Réparations non autorisées et/ou utilisation de pièces non officielles.
- f. Appareils de cuisine : sans numéro d'identification lisible, achetés en dehors du Benelux, vendus en qualité B ou en modèles showroom.
- g. Dommages, usure normale ou écarts mineurs qui n'affectent pas la fonctionnalité.
- h. Dommages ou défauts des accessoires, des joints de porte et des éléments fragiles tels que le verre, le plastique et les lampes.
- i. Dommages ou défauts dus à des dégâts d'eau ou à d'autres substances auxquelles le produit n'est pas résistant, comme l'utilisation d'un mauvais produit de nettoyage.
- j. Dommages ou défauts dus à une utilisation, un fonctionnement, un chargement, un assemblage et/ou un entretien inappropriés.
- k. Dommages ou défauts extérieurs à l'appareil, y compris les dommages consécutifs et indirects.
- l. Dommages ou défauts causés par des actions non conformes au manuel.
- m. Dommages ou pertes normalement couverts par l'assurance habitation.
- n. Dommages ou défauts dus à des fluctuations de puissance et de tension dépassant la plage de tolérance indiquée par Wiggo.
- o. Dommages ou défauts causés par la négligence de l'utilisateur.
- p. Dommages causés par ou résultant d'une cause extérieure.

Article 3 : Demande de garantie

- a. Des problèmes avec votre produit ? Signalez-le rapidement, au plus tard dans les 48 heures, via

Conditions de garantie

www.wiggo.eu/services.

- b. Envoyez-nous une copie de votre preuve d'achat, car elle est nécessaire pour votre demande de garantie.
- c. Nous vous tiendrons informés du processus de traitement par e-mail ou par téléphone.
- d. En cas de remplacement, la période de garantie d'origine reste valable.
- e. Les pièces et appareils remplacés deviennent la propriété de Wiggo.

Article 4 : Service après garantie

- a. Un problème avec vos appareils de cuisine après la période de garantie ? Remplissez le formulaire de service sur www.wiggo.eu/services.
- b. Les frais d'expédition et/ou les frais d'intervention pour inspection, réparation ou pièces sont à votre charge.
- c. Nous fournissons une estimation des coûts d'inspection et de réparation à l'avance. Après approbation, nous enverrons une demande de paiement puis fixerons un rendez-vous.
- d. Tous les frais supplémentaires seront clairement communiqués après la réparation.
- e. Le paiement au technicien de service agréé est facile à effectuer via un code QR ou une demande de paiement.

Article 5 : Réclamations

Outre les droits découlant des garanties légales ou autres garanties que vous avez souscrites, vous n'avez droit à aucune autre réclamation que celles mentionnées dans cette garantie.

Article 6 : Utilisation internationale

Si vous transportez votre appareil Wiggo au-delà des frontières, la garantie ne s'appliquera plus. Vérifiez les garanties locales et assurez-vous que votre appareil répond aux exigences techniques (telles que la tension, la fréquence, le type de gaz, etc.) et aux conditions climatiques.

Article 7 : Visite de service et maintenance

- a. Si le technicien détermine qu'il n'y a pas de problème réel (le produit fonctionne comme il se doit), la visite du technicien vous sera facturée. Ces coûts sont basés sur les tarifs en vigueur à ce moment-là.
- b. Les appareils qui ne fonctionnent pas ou sont défectueux doivent être vides et propres lorsque le technicien de service agréé vient pour réparation ou remplacement. Si ce n'est pas le cas, le technicien ou le transporteur pourra refuser le remplacement et le facturer.
- c. Le paiement au technicien de service agréé est facile à effectuer via un code QR ou une demande de paiement.

Article 8 : Responsabilité

Nous ne sommes responsables qu'à hauteur du montant couvert par notre assurance. Remarque : pour les appareils de cuisine non Wiggo ou les annulations tardives (au moins 24 heures à l'avance), des frais s'appliqueront. Ces frais sont basés sur les tarifs en vigueur à ce moment-là.

Article 9 : Protection des données

Lors de la prestation de services, Wiggo collecte et traite des données personnelles. De plus amples informations à ce sujet peuvent être trouvées sur www.wiggo.eu.

Article 10 : Loi et litiges

Ces conditions de garantie et de service sont soumises au droit néerlandais, à l'exception de la Convention de Vienne sur les ventes. Les litiges seront réglés par le tribunal néerlandais compétent.

PRODUCT FICHE

| | | | | |
|---|---------|---------------------------------|---------------------------------|---------------------------------|
| Product Code | | WE-A531G | WE-A532G | WE-A533G |
| Product Type | | Angled Curved | Angled Curved | Angled Curved |
| Width(mm)/Color | | 50 cm / Black | 50 cm / Black | 50 cm / Black |
| Control Type | | ECO Touch Control | ECO Touch Control | ECO Touch Control |
| Total power of the motor (W) | | 1 x BLDC330 34W | 1 x BLDC330 34W | 1 x BLDC330 34W |
| Voltage/Frequency | | 220-240V 50Hz | 220-240V 50Hz | 220-240V 50Hz |
| Plug Type | | EU Type | EU Type | EU Type |
| Motor Type | | Copper Wire Winding Motor | Copper Wire Winding Motor | Copper Wire Winding Motor |
| Speed Level | | 3 | 3 | 3 |
| Glass quantities / Color | | 1 / Black | 2 / Black | 3 / Black |
| Air System | | Double Vented System Air Outlet | Double Vented System Air Outlet | Double Vented System Air Outlet |
| Diameter of air outlet (mm) | | 120 | 120 | 120 |
| Number Of Chimney(S) & Color | | 2 / Black | 2 / Black | 2 / Black |
| Chimney Length (mm) | | 300 | 300 | 300 |
| Carbon Filter Type | | Optional | Optional | Optional |
| Metal Filter | | 3 Layer Aluminium Filter | 3 Layer Aluminium Filter | 3 Layer Aluminium Filter |
| Lighting Type | | 2 x 1W Led Lamp(6500K) | 2 x 1W Led Lamp(6500K) | 2 x 1W Led Lamp(6500K) |
| Annual Energy Consumption, AEEhood | [kWh/a] | 12.6 | 13.1 | 12.2 |
| Energy Efficiency class | - | A+ | A+ | A+ |
| Fluid Dynamic Efficiency, FDEhood | [%] | 19.4 | 18.9 | 19.4 |
| Fluid Dynamic Efficiency class | - | C | C | C |
| Light Efficiency, LEhood | [lux/W] | 39 | 37 | 40 |
| Light Efficiency class | - | A | A | A |
| Grease Filtering Efficiency, GFEhood | [%] | 52 | 61 | 67 |
| Grease Filtering Efficiency class | - | F | E | D |
| 1 speed airflow in normal use | [m3/h] | 147 | 142 | 147 |
| 2 speed airflow in normal use | [m3/h] | 218 | 215 | 226 |
| 3 speed airflow in normal use | [m3/h] | 260 | 259 | 265 |
| 4 speed airflow in normal use | [m3/h] | - | - | - |
| Airflow at intensive/boost setting | [m3/h] | - | - | - |
| A-weighted sound power emission at 1 speed | [dB(A)] | 36 | 42 | 41 |
| A-weighted sound power emission at 2 speed | [dB(A)] | 50 | 51 | 51 |
| A-weighted sound power emission at 3 speed | [dB(A)] | 55 | 56 | 56 |
| A-weighted sound power emission at 4 speed | [dB(A)] | - | - | - |
| A-weighted sound power emission at intensive/boost speed | [dB(A)] | - | - | - |
| Power consumption off mode, PO | [W] | N/A | N/A | N/A |
| Power consumption in stand-by mode, PS | [W] | 0.4 | 0.41 | 0.4 |
| Time increase factor, f | - | 1.3 | 1.3 | 1.3 |
| Energy Efficiency Index, EEIhood | - | 43.2 | 44.4 | 42.5 |
| Measured airflow rate at Best Efficiency Point, QBEP | [m3/h] | 150 | 156.5 | 162.8 |
| Measured air pressure at Best Efficiency Point, PBEP | [Pa] | 120 | 112 | 110 |
| Maximum airflow, Qmax | [m3/h] | 260 | 259.1 | 265.1 |
| Measured electric power at Best Efficiency Point, WBEP | [W] | 25.7 | 25.9 | 25.7 |
| Nominal power of the lighting system, WL | [W] | 2 | 2 | 2 |
| Average illumination of the lighting system on the cooking surface, Emiddle | [lux] | 79 | 74 | 80 |
| Net Weight | [kg] | | | |
| Gross Weight | [kg] | | | |
| Quantity Per Truck / 40HC | [pcs] | 1056/858 | 1056/858 | 1056/858 |
| Package Type | | Foem supported carton box | Foem supported carton box | Foem supported carton box |
| Flammability of Plastics | | Fireproof Plastic Parts | Fireproof Plastic Parts | Fireproof Plastic Parts |



www.wiggo.eu

Visitez notre site Web!

WIGGO



MANUALE ISTRUZIONI

CAPPA CAMINO IN VETRO

- Istruzioni di sicurezza
- Istruzioni per l'installazione
- Funzionamento del prodotto

Modelli

WE-A531G

WE-A532G

WE-A533G

Manuale d'uso

wiggo.eu

5 ANNI
GARANZIA

Un grande saluto!



Unisciti alla nostra comunità!

Grazie per averci permesso di cucinare con te e di far parte della tua cucina accogliente. Siamo estremamente felici di averti nella nostra comunità di Wiggo e non vediamo l'ora di portare più positività nel tuo spazio.

Sii creativo e scatta un selfie con il tuo nuovo compagno di cucina per vincere fantastici premi con noi.

Non dimenticare di taggarci! @wiggo_eu

A pasti freschi!

**Ottieni tutto il
supporto di
cui hai
bisogno!**



SCANSIONAMI PER

**Ottieni la versione più aggiornata
di questo manuale!**

wiggo.eu/support/download/



SCANSIONAMI PER

Registra il tuo prodotto!

wiggo.eu/support/register/



SCANSIONAMI PER

Leggi le condizioni di garanzia!

docs.wiggo.eu/books/mzsp/



SCANSIONAMI PER

**Compila il modulo di richiesta
assistenza!**

Wiggo.eu/support/services/service-request-form/



SCANSIONAMI PER

**Compila il modulo di richiesta
ricambi!**

Wiggo.eu/support/services/part-request-form/

I NOSTRI SERVIZI

Consegna
veloce



Manutenzione



Riparazioni
e veloce



Installazione



Si prega di leggere prima il manuale utente!

Gentile Cliente,











Il nostro obiettivo è garantire un utilizzo sicuro ed efficiente del nostro prodotto, realizzato secondo elevati standard qualitativi in strutture moderne, per la vostra cucina. Per garantirvi la migliore esperienza, vi preghiamo vivamente di leggere attentamente questo manuale e la documentazione allegata prima dell'uso.

Tenendo conto di tutte le istruzioni, le avvertenze di sicurezza e le informazioni tecniche contenute in questo manuale, è possibile proteggere se stessi e il prodotto da potenziali rischi. Prestare particolare attenzione ai collegamenti elettrici, ai suggerimenti per la pulizia e alle istruzioni per il corretto utilizzo.

Non dimenticare di conservare il manuale d'uso. Se cedi il prodotto a un altro utente, assicurati di includere anche il manuale. Le condizioni di garanzia, i consigli per la manutenzione e i metodi di risoluzione dei problemi della tua cappa sono presentati in dettaglio in questo manuale.

Spiegazione dei simboli:

Nel presente manuale utente vengono utilizzati i seguenti simboli.

| | | | |
|---|--|---|--|
|  | Avviso di scossa elettrica |  | Avviso di pericolo di incendio |
| | Questo simbolo indica che la presenza di tensione comporta un pericolo per la vita e la salute delle persone. | | Avviso di pericolo di incendio |
|  | Pericolo |  | Informazioni |
| | Questo simbolo indica che sussistono pericoli per la vita e la salute delle persone dovuti alla presenza di gas estremamente infiammabili. | | Informazioni importanti o istruzioni utili sull'uso di questo dispositivo |
|  | Attenzione |  | Avvertimento |
| | La parola di segnalazione indica un pericolo con un basso grado di rischio che, se non evitato, può provocare lesioni lievi o moderate. | | La parola di segnalazione indica un pericolo con un livello di rischio medio che, se non evitato, può provocare la morte o lesioni gravi. |
|  | Attenzione |  | Osservare le istruzioni |
| | La parola di segnalazione indica informazioni importanti (ad esempio danni materiali), ma non un pericolo. | | Questo simbolo indica che un tecnico addetto all'assistenza deve utilizzare e mantenere questo apparecchio solo in conformità alle istruzioni per l'uso. |
|  | Attenzione alle superfici calde |  | Marcatura CE |
| | Attenzione alle superfici calde | | Alla data di fabbricazione, questo prodotto è stato testato e ritenuto conforme alle specifiche della marcatura CE |



Contenuto

SPECIFICHE

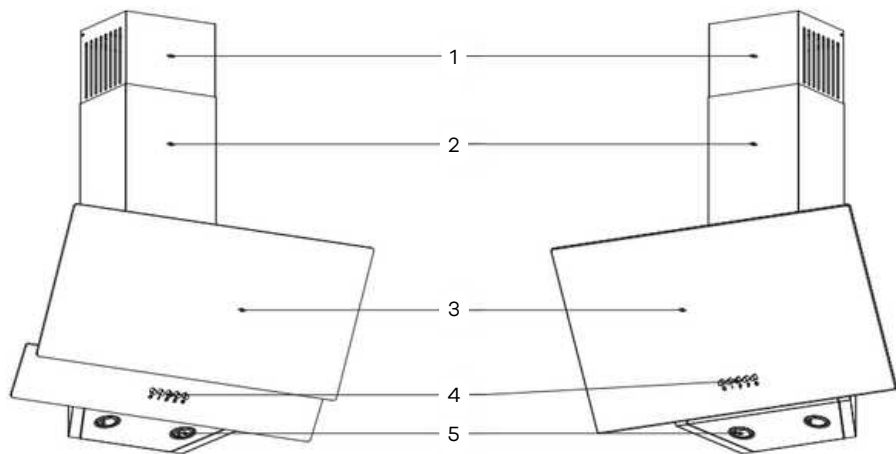
INFORMAZIONI SULLA SICUREZZA

INSTALLAZIONE

FUNZIONAMENTO E UTILIZZO DEL COFANO

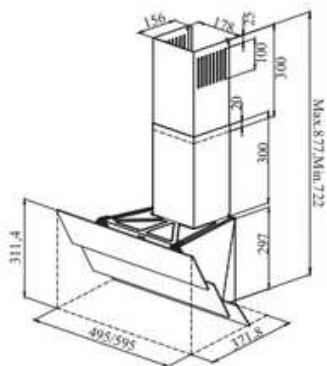
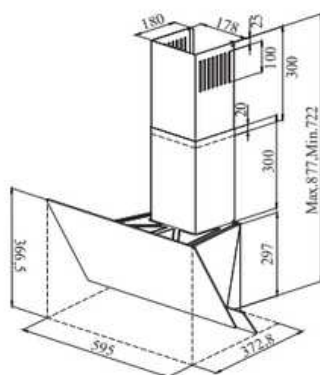
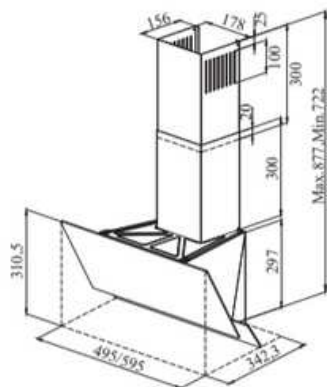
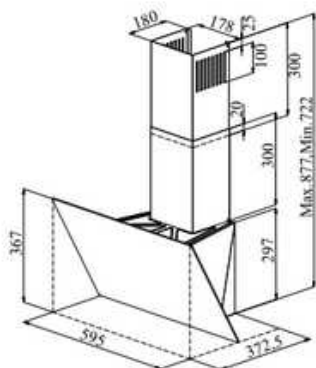
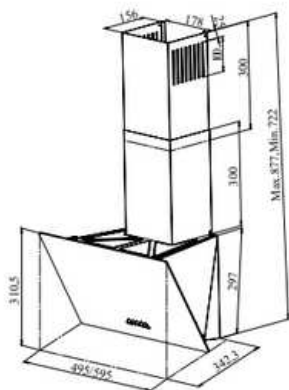
SERVIZIO, RICAMBI SPAZIALI, GARANZIA

SPECIFICHE



| | |
|---|--|
| 1 | Condotto interno regolabile in altezza |
| 2 | Condotto esterno fisso |
| 3 | Condotto esterno fisso |
| 4 | Pannello di controllo |
| 5 | Fulmine |

SPECIFICHE



SPECIFICHE TECNICHE

| | |
|---|----------------------------|
| Tensione e frequenza | 110-240 V CA, 50/60 Hz |
| Potenza totale del prodotto | Min. 2W, Max. 36W |
| potenza del motore | 34W |
| Potenza della lampada | 2 x 1W |
| Tensione di funzionamento della lampada | 12 V CC |
| Pannello di controllo | 3 impostazioni di velocità |
| Diametro attacco uscita aria | Ø120mm |
| Larghezza del prodotto | 495-595 millimetri |
| Profondità del prodotto | 344-373 millimetri |
| Altezza del prodotto | 597 mm - 877 mm |

INFORMAZIONI SULLA SICUREZZA

Avvertenze generali

- Questo prodotto è progettato per uso domestico. L'uso per scopi commerciali o industriali invalida la garanzia e può rappresentare un rischio per la sicurezza.
- L'installazione del prodotto da parte di persone non autorizzate può comportare una riduzione delle prestazioni, danni permanenti al prodotto e persino incidenti. Pertanto, consigliamo vivamente che l'installazione venga eseguita esclusivamente da personale di assistenza autorizzato.
- Utilizzare l'apparecchio solo secondo le istruzioni specificate nel manuale d'uso.
- Non effettuare collegamenti all'apparecchio se presenta danni durante il trasporto.

Uso previsto

- L'apparecchio è progettato per filtrare o espellere efficacemente vapore, fumo, particelle di grasso e odori sgradevoli che si formano durante la cottura in cucina.

Limitazione sui gruppi di utenti

- Questo apparecchio può essere utilizzato da bambini di 8 anni e più, da persone senza deficit fisici, sensoriali o mentali o da persone senza alcuna mancanza di esperienza o conoscenza, a condizione che ricevano supervisione o istruzioni per un utilizzo sicuro dell'apparecchio e che ne comprendano i pericoli.

SICUREZZA GENERALE

ATTENZIONE - PERICOLO DI SOFFOCAMENTO!

- I materiali di imballaggio sono pericolosi per i bambini. Non permettere mai ai bambini di giocare con i materiali di imballaggio.
- Tenere le parti di piccole dimensioni fuori dalla portata dei bambini. Non permettere ai bambini di giocare con le parti di piccole dimensioni.

ATTENZIONE - PERICOLO DI ELETTROCUZIONE!

- Non utilizzare mai elettrodomestici difettosi o danneggiati.
- Se l'apparecchio o il cavo di collegamento alla rete sono difettosi, occorre staccare immediatamente la spina oppure disattivare il fusibile nella scatola portafusibili.
- Per la vostra sicurezza e quella del prodotto, utilizzare un fusibile da "Massimo 6A" nell'impianto elettrico a cui è collegata la cappa.
- Le riparazioni improprie sono pericolose. Solo personale qualificato e addestrato in questo processo può eseguire riparazioni sull'apparecchio.
- Per la riparazione dell'apparecchio utilizzare esclusivamente ricambi originali.

- Se il cavo elettrico dell'apparecchio è danneggiato, deve essere sostituito da personale qualificato. Non toccare mai la spina con le mani bagnate.
- Per staccare la spina dall'apparecchio, non afferrare il cavo della spina ma il corpo della stessa.
- Prima di procedere alla pulizia, staccare la spina o disattivare il fusibile dalla scatola portafusibili.
- Non utilizzare pulitori a vapore o ad alta pressione per pulire l'apparecchio.
- Le parti con bordi taglienti all'interno dell'apparecchio possono danneggiare il cavo di collegamento.
- Il cavo di collegamento non deve essere piegato o pizzicato.
- L'apparecchio deve essere collegato esclusivamente a una rete elettrica a corrente alternata tramite una presa di terra installata a norma.
- Durante l'installazione dell'apparecchio, assicurarsi che il cavo elettrico non venga schiacciato o danneggiato.
- La spina elettrica del cavo di collegamento alla rete deve essere facilmente accessibile dopo l'installazione dell'apparecchio.
- Se ciò non fosse possibile, occorre installare un gruppo di disconnessione multipolare in conformità alle condizioni della categoria di protezione da sovratensione III e alle norme di installazione per l'impianto elettrico fisso.
- L'installazione elettrica fissa deve essere eseguita esclusivamente da un elettricista. Si consiglia di installare un interruttore differenziale (RCD) nel circuito di alimentazione.
- L'apparecchio rientra nella classe di protezione 1. Pertanto, deve essere utilizzato solo con prese dotate di messa a terra.
- Non collegare la corrente elettrica prima di aver completato l'installazione della cappa.

ATTENZIONE - PERICOLO DI INCENDIO!

- Il cavo collegato non deve essere posizionato vicino ai fornelli perché potrebbe fondersi a causa delle alte temperature e provocare un incendio.
- I residui di olio nei filtri dell'olio potrebbero incendiarsi. Non utilizzare mai l'apparecchio senza il filtro dell'olio.
- Il filtro dell'olio deve essere pulito regolarmente.
- Non devono assolutamente essere utilizzate fiamme libere in prossimità dell'apparecchio (ad esempio, cucinare con la fiamma).
- È necessario rispettare le distanze di sicurezza specificate per evitare deformazioni dovute al calore, danni permanenti o situazioni che potrebbero compromettere la sicurezza del prodotto e dell'utente.
- Dopo aver completato l'installazione della cappa, la distanza minima deve essere di 60 cm tra il prodotto e qualsiasi cucina elettrica; e di 65 cm tra il prodotto e qualsiasi cucina a gas o cucina che brucia altri combustibili infiammabili. Se la cucina è dotata sia di componenti elettrici che a gas combustibili, è necessario rispettare la distanza minima specificata per le cucine a gas. Inoltre, se nelle istruzioni di installazione per le cucine a gas è specificata una distanza maggiore, è necessario seguire principalmente queste istruzioni.
- Oli e grassi caldi prendono fuoco facilmente. Non devono mai essere lasciati incustoditi.

- L'olio che prende fuoco non deve mai essere spento con acqua. Il piano cottura deve essere coperto. Spegnerne le fiamme con cautela utilizzando una copertura, una coperta ignifuga o un materiale simile.

ATTENZIONE - PERICOLO DI USTIONI!

- Lasciare raffreddare l'apparecchio prima di procedere alla pulizia e alla manutenzione. Spegnerne il fusibile e scollegare l'apparecchio dalla presa di corrente.
- Non toccare in nessun caso le zone calde.

ATTENZIONE - PERICOLO DI INFORTUNIO!

- Le parti interne dell'apparecchio potrebbero presentare bordi taglienti. Pertanto, è necessario pulire accuratamente l'interno dell'apparecchio.
- Gli oggetti posizionati sull'apparecchio potrebbero cadere; non posizionare alcun oggetto sull'apparecchio.
- Apportare modifiche elettriche o meccaniche è pericoloso e può causare guasti funzionali. Non apportare modifiche elettriche o meccaniche.
- La luce dell'illuminazione a LED è molto intensa e può danneggiare gli occhi. Non guardare direttamente le luci a LED in funzione per più di 60 secondi.
- Se l'apparecchio non è fissato correttamente, potrebbe cadere. Tutti gli elementi di fissaggio devono essere serrati e montati saldamente.
- L'elettrodomestico è pesante, per spostarlo sono necessarie due persone.
- Utilizzare solo materiali ausiliari adatti.
- L'apparecchio non deve essere montato direttamente su cartongesso o materiali da costruzione leggeri simili.
- Per un corretto montaggio è necessario utilizzare un materiale sufficientemente stabile e adatto all'ambiente di costruzione e al peso dell'apparecchio.

ATTENZIONE - PERICOLO DI AVVELENAMENTO!

- I gas infiammabili riaspirati possono causare avvelenamento. I riscaldatori a combustione ventilata (ad esempio, stufe a gas, gasolio, legna o carbone, scaldabagni, docce) prelevano l'aria di combustione dal luogo di installazione e scaricano i gas di scarico attraverso un sistema di scarico (ad esempio, una canna fumaria).
- Quando la cappa è attiva, aspira aria dalla cucina e dalle stanze adiacenti. Se non viene fornita un'adeguata ventilazione, si crea una depressione. In tal caso, i gas tossici vengono aspirati dalla canna fumaria e dal canale di scarico e reimmessi nella porta. Assicurarsi che l'apparecchio sia sempre ventilato quando viene utilizzato con un fornello collegato all'aria ambiente in modalità aria sporca.

PROTEZIONE DELL'AMBIENTE



Questo apparecchio è contrassegnato in conformità alla Direttiva Europea 2012/19/CE sui Rifiuti di Apparecchiature Elettriche ed Elettroniche (RAEE).



Assicurando il corretto smaltimento di questo prodotto, si eviteranno possibili effetti negativi sull'ambiente e sulla salute umana che potrebbero derivare da un utilizzo improprio del prodotto.



Il simbolo sul prodotto o sulla documentazione fornita con il prodotto indica che questo apparecchio non deve essere trattato come rifiuto domestico.

L'apparecchio deve essere consegnato a un punto di raccolta per il riciclaggio designato per questo tipo di apparecchiature elettriche ed elettroniche. Il processo di smaltimento dei rifiuti deve essere effettuato in conformità con le normative ambientali locali in materia di smaltimento dei rifiuti. Per informazioni dettagliate sulle condizioni di riciclaggio di questo prodotto, consultare l'ufficio competente del proprio comune, il servizio di smaltimento rifiuti o il venditore del prodotto.

INSTALLAZIONE

PRIMA DI DISIMBALLARE L'ELETTRODOMESTICO:

Assicuratevi che l'impianto elettrico sia idoneo. In caso di dubbi, fate eseguire le operazioni necessarie da un elettricista qualificato. È responsabilità del cliente predisporre il luogo di installazione del prodotto e predisporre l'impianto elettrico. Durante l'installazione del prodotto, attenersi alle norme locali in materia di installazioni elettriche. Prima di installarlo, verificare la presenza di eventuali danni al prodotto. Non fate installare il prodotto se è danneggiato. I prodotti danneggiati rappresentano un rischio per la vostra sicurezza.

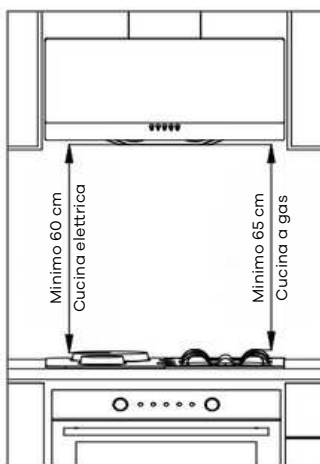
ATTENZIONE! Una buona ventilazione della stanza è fondamentale per un funzionamento sicuro del prodotto. Se non sono disponibili finestre per la ventilazione, è necessario prevedere una ventilazione aggiuntiva (ad esempio, aprendo una presa d'aria nella finestra). Se in cucina è presente una presa d'aria, non ostruirla. Verificare le condizioni di altri materiali (ad esempio, accessori di montaggio, manuale d'uso) all'interno della cappa, rimuoverli e conservarli in un luogo separato. Non conservarli mai all'interno della cappa. Non installare l'apparecchio su superfici come piastrelle, vetro o silicone. Installarlo solo a parete.

Non permettere ai bambini di giocare con i materiali di imballaggio!

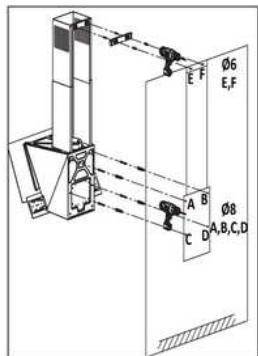
INSTALLARE L'APPARECCHIO

Per installare il prodotto, seguire i passaggi sottostanti.

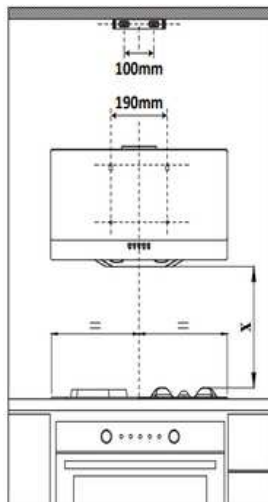
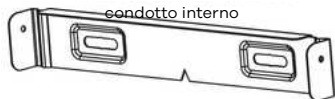
Posizione dell'elettrodomestico: dopo aver completato l'installazione della cappa, la distanza tra il prodotto e qualsiasi cucina elettrica deve essere di 60 cm; e tra esso e qualsiasi cucina a gas o cucina che brucia altri combustibili è di 65 cm.



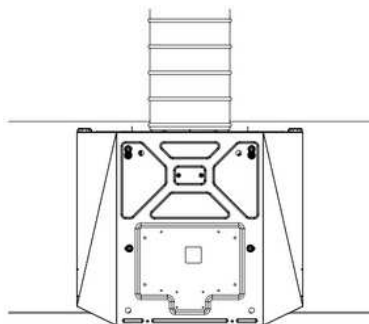
- Praticare dei fori nel muro con un trapano da $\varnothing 8$ mm (A, B, C, D) e inserire dei tasselli in plastica da $\varnothing 8$ mm nei fori praticati utilizzando il modello di installazione presente accanto all'attrezzatura di installazione all'interno della scatola del prodotto.
- Forare il muro per la piastra di collegamento del condotto interno del fumo con un trapano da $\varnothing 6$ mm (E, F) e inserire in questi fori dei tasselli in plastica da $\varnothing 6$ mm, tenendo conto dell'altezza della zona di installazione.
- Serrare 2 delle viti 4,8x50 ai tasselli nei punti A e B. Assicurarsi di mantenere una distanza di 5 mm tra la testa della vite e la parete.
- Fissare la piastra di collegamento del condotto interno del fumo ai tasselli da $\varnothing 6$ mm nei punti E e F che avete piantato nel muro utilizzando viti RYSB 3,9x22.



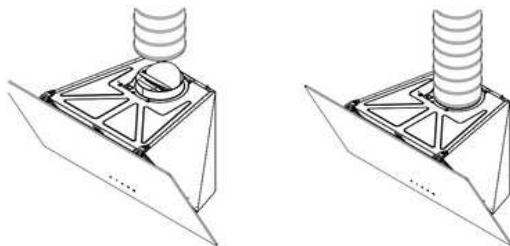
Piastra di collegamento del condotto interno



- Appendere la cappa inserendo gli appositi alloggiamenti nelle viti precedentemente montate nei fori A e B, lasciando uno spazio di 5 mm tra le teste delle viti e la superficie della parete.



- Dopo aver tirato verso di sé il coperchio in vetro della cappa per aprirlo, rimuovere il filtro a cassetta in alluminio. Quindi, fissare il prodotto serrando le altre viti YSB 4,8x50 nei tasselli in plastica visibili dall'interno del prodotto, nei fori C e D.
- Collegare la cappa al tubo di alluminio. Dopo aver fatto scorrere il tubo flessibile di alluminio sul condotto di scarico in plastica, fissarlo con un fermacavo in plastica o una fascetta, senza stringere eccessivamente. Inserire l'altra estremità del tubo nel foro del condotto di scarico.
- Prima di collegare il tubo, è necessario controllare le alette in plastica all'uscita dell'aria del prodotto. Azionare la cappa prima di collegare il tubo e assicurarsi che le alette si muovano verso l'alto, consentendo all'aria di fuoriuscire. In caso contrario, cambiare la direzione delle alette.

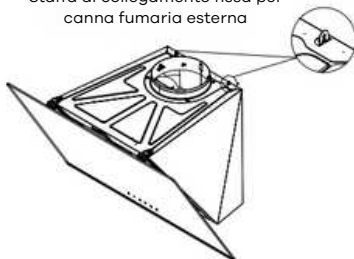


- Un serraggio eccessivo del fermacavo in plastica o del morsetto utilizzato durante il collegamento del tubo potrebbe impedire il funzionamento delle alette. Per questo motivo, prima di collegare il tubo alla canna fumaria di casa, verificare il corretto funzionamento delle alette accendendo la cappa.
- Inserire con cautela il condotto esterno in quello interno.

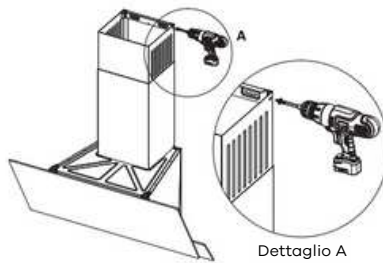


- Per utilizzare la cappa in modo efficiente: tirare il condotto interno verso l'alto attraverso il condotto esterno e avvitarlo alla piastra di collegamento del condotto interno precedentemente fissata alla parete utilizzando una vite RYSB da 3,5x6,5.

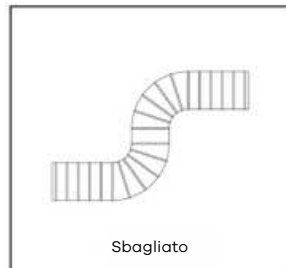
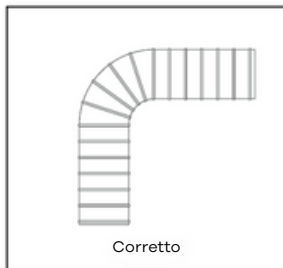
Staffa di collegamento fissa per
canna fumaria esterna



- Fissare il condotto esterno alle staffe di collegamento del condotto (due sulla parte superiore della cappa) sulla superficie superiore della cappa utilizzando una vite RYSB da 3,5x6,5.



- Utilizzare un tubo di diametro 120 mm e il minor numero possibile di gomiti per il collegamento della cappa alla canna fumaria. Poiché torsioni e curve nel tubo di alluminio riducono la potenza di aspirazione, è consigliabile evitarle il più possibile.
- Prestare attenzione alla pulizia regolare del filtro a cassetta in alluminio e agli intervalli di sostituzione dei filtri al carbone.



FUNZIONAMENTO E UTILIZZO DELLA CAPPA

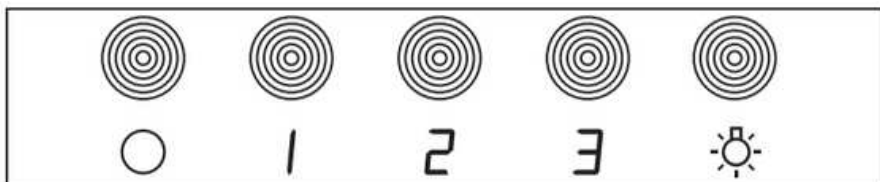
Attenzione

Prima di mettere in funzione la cappa, accertarsi che tutti i collegamenti meccanici ed elettrici siano stati effettuati.

Non lasciare oggetti estranei all'interno della cappa. Assicurarsi che non vi siano materiali di imballaggio nelle vicinanze.

Prima di utilizzare il nastro protettivo blu sui bordi del filtro a cassetta in alluminio della cappa, rimuoverlo sempre. Se il nastro rimane attaccato, potrebbe incendiarsi se esposto a calore elevato, con conseguente rischio per la sicurezza. Assicurarsi di aver rimosso completamente tutti i nastri protettivi prima di utilizzare l'apparecchio.

CONTROLLO MECCANICO



SELEZIONE DELLA VELOCITÀ

- La cappa può funzionare a 3 velocità diverse in base al livello di vapore prodotto durante la cottura:
 - Velocità: Per vapore leggero e odore
 - Velocità: Per vapore e odore medi
 - Velocità: Per vapore intenso e odori

Suggerimento: una volta terminata la cottura, lasciare accesa la cappa ancora per un po' per eliminare gli odori rimanenti.

COME USARE

- Per accendere la cappa premere il pulsante 1, 2 o 3.
- Premere il pulsante 0 per spegnerlo.
- Utilizzare il pulsante con l'icona della lampada per controllare l'illuminazione.

FUNZIONAMENTO E UTILIZZO DELLA CAPPA

CONTROLLO TOUCHSCREEN (ECO)



SCHERMATA INIZIALE

- Quando il prodotto è collegato, tutte le icone lampeggiano contemporaneamente in rosso.
- Premendo nuovamente l'icona On/Off, tutte le icone diventeranno rosse una alla volta.
- Se non viene intrapresa alcuna azione per 1 minuto, tutte le icone si spegneranno.

COME USARE

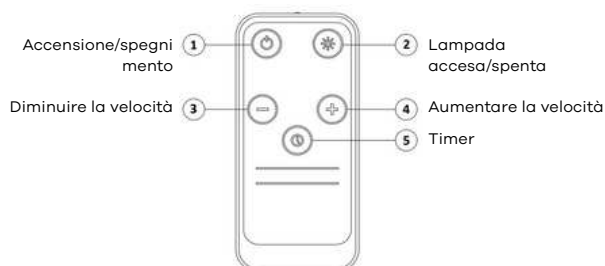
- Per accendere la cappa, toccare l'icona On/Off.
- A seconda dell'intensità del vapore che si sviluppa durante la cottura, toccare una delle icone (1-2-3) mostrate sopra.
- Il livello di velocità selezionato e la luce rossa (▶) si accenderanno.
- Per accendere/spegnere la lampada a LED, premere l'icona "Lampada On/Off". (Le lampade del prodotto possono essere azionate indipendentemente dal motore.)
- Per spegnere la cappa dopo l'uso, premere l'icona On/Off.

FUNZIONAMENTO DEL TIMER

- Premendo a lungo il livello di velocità (1-2-3), il timer si attiverà e spegnerà automaticamente il motore dopo 5 minuti; le lampade rimarranno accese.

TELECOMANDO (OPZIONALE)

Se il prodotto è dotato di telecomando, verrà fornito con 1 telecomando.



FUNZIONAMENTO E UTILIZZO DELLA CAPPA

PROPRIETÀ DELL'APPARECCHIO

- La cappa viene utilizzata nelle cucine con o senza canna fumaria.
- Il prodotto si spegnerà automaticamente dopo 6 ore se non viene premuto alcun pulsante dopo l'avvio.

FUNZIONAMENTO CON CANNA FUMARIA

- Se utilizzata con un collegamento alla canna fumaria, la cappa deve essere collegata alla stessa. Per un utilizzo efficiente della cappa, il sistema di tubi che porta alla canna fumaria deve essere il più breve possibile e il percorso del flusso d'aria deve essere libero. Il nostro prodotto è progettato per l'uso con una canna fumaria.

Attenzione! Non è possibile collegare altri condotti dell'aria alle aperture di aspirazione della cappa.

QUANDO FUNZIONA SENZA CANNA FUMARIA

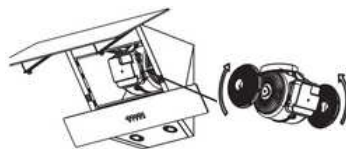
Filtro a carbone attivo

Negli ambienti in cui non è presente un collegamento alla canna fumaria esterna, è consigliabile utilizzare un filtro a carboni attivi per filtrare e reintrodurre gli odori e l'aria presenti all'interno. L'uscita della canna fumaria del prodotto non deve rimanere chiusa a causa del contatto con il soffitto o un mobile. I filtri a carboni attivi possono essere richiesti ai nostri centri di assistenza autorizzati.



Sostituzione del filtro a carbone attivo

È necessario utilizzare 2 filtri a carbone attivo nel prodotto. Per montare il filtro a carbone attivo, allineare e ruotare di mezzo giro in senso orario le scanalature sul coperchio del motore e le linguette sul filtro a carbone attivo. Ruotare di mezzo giro in senso antiorario per rimuoverlo.



PULIZIA E MANUTENZIONE

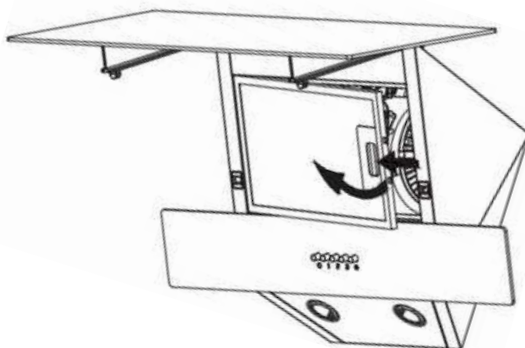
Prima di effettuare lavori di manutenzione e pulizia, è necessario staccare il cavo di alimentazione oppure spegnere l'interruttore a cui è collegata la cappa.

Le superfici della cappa possono essere pulite con un panno inumidito con acqua saponata.

Non utilizzare prodotti chimici abrasivi o pericolosi. Prestare attenzione a evitare il contatto dei componenti elettronici con acqua o materiali simili. Per i prodotti in acciaio inossidabile, l'utilizzo di detergenti e prodotti per la manutenzione disponibili in commercio ne prolungherà la durata. I filtri a cassetta in alluminio possono essere lavati in lavastoviglie.

Il filtro a cassetta in alluminio deve essere pulito con acqua calda e sapone o, se possibile, solo in lavastoviglie (massimo 60 °C) ogni pochi mesi, a seconda dell'intensità di utilizzo (circa dopo 40 ore di funzionamento). Dopo il lavaggio, il colore del filtro a cassetta in alluminio e del suo telaio potrebbe cambiare. Ciò è normale e non compromette il funzionamento dei filtri.

Rimuovere il filtro a cassetta in alluminio premendo la clip a molla all'estremità. Dopo la pulizia, lasciarlo asciugare. Non installare il prodotto prima che sia asciutto.



PULIZIA E MANUTENZIONE

FILTRI A CASSETTA IN ALLUMINIO LAVABILI

Se desideri sostituire il filtro a cassetta in alluminio, contatta il centro di assistenza autorizzato più vicino e fai una richiesta. Per farlo, devi fornire il numero di modello riportato sulla targhetta del tuo prodotto. Altri marchi e modelli di filtri disponibili sul mercato non sono compatibili con il tuo prodotto.



INFORMAZIONI GENERALI SULLE LAMPADE E SULLA SOSTITUZIONE DELLE LAMPADE

La cappa è dotata di un sistema di illuminazione basato sulla tecnologia LED. I LED sono circa 10 volte più durevoli delle lampade convenzionali, garantendo al contempo un'illuminazione ideale e un risparmio energetico fino al 90%.

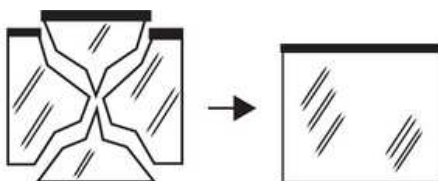
Se si riscontrano deformazioni fisiche o problemi relativi alle prestazioni di illuminazione della cappa, contattare un servizio di assistenza autorizzato.

In caso di crepe o rotture sulla superficie della lampada, contattare il servizio di assistenza autorizzato per organizzarne la sostituzione.

Se è necessario sostituire le lampade, verificare le informazioni riportate di seguito e sostituirle con un'alternativa che soddisfi queste specifiche tecniche.

- Codice ILCOS D: DBR-1-H (codice ILCOS D secondo lo standard IEC 61231)
- Modulo LED - Plastica traslucida
- Potenza nominale di ogni lampada: 1W
- Potenza massima della lampada per potenziale sostituzione: 2 x 1 W
- Dimensioni del prodotto: diametro: 35,8 mm / altezza: 30 mm

Se necessario, puoi procurarti delle nuove lampade presso il tuo servizio.

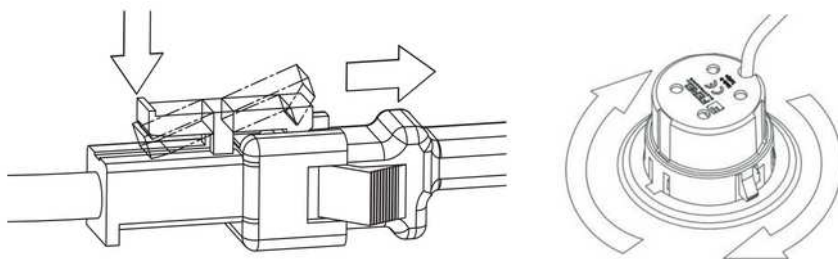


PULIZIA E MANUTENZIONE

SOSTITUZIONE DELLE LAMPADE

Prima di sostituire le lampade, scollegare il cavo di alimentazione della cappa. Quindi, sollevare il vetro frontale verso l'alto per rimuovere il filtro a cassetta in alluminio. Quindi;

- Dopo aver rilasciato il meccanismo di bloccaggio, premere la linguetta di plastica sul retro come mostrato a sinistra per staccare i portalamпада e le spine l'uno dall'altro
- Ruotare le due linguette di fissaggio della lampada in senso orario o antiorario in modo che si allineino con le aperture sul pannello di illuminazione, tenendo fermo il corpo della lampada. Una volta che le linguette di fissaggio sono allineate con le aperture, tenere fermo il corpo della lampada e farlo uscire. Ripetere tutti i passaggi in ordine inverso per installare la lampada.



LE QUESTIONI A CUI I CONSUMATORI DOVREBBERO PRESTARE ATTENZIONE IN MERITO ALLA GARANZIA

Conservare il certificato di garanzia. Il prodotto è considerato non coperto da garanzia se non è possibile presentare il certificato di garanzia. I componenti ausiliari e gli accessori acquistati insieme al prodotto non sono coperti da garanzia. Anche i materiali la cui sostituzione è specificata entro i tempi previsti e in base alla quantità di utilizzo nel manuale d'uso non sono coperti da garanzia.

I SEGUENTI CASI NON SONO COPERTI DALLA GARANZIA:

- Danni e guasti derivanti da errori di installazione e utilizzo contrari a quanto indicato nel manuale del prodotto,
- Danni e malfunzionamenti che si verificano durante le operazioni di carico, scarico e movimentazione dopo la consegna del prodotto al cliente,
- Danni e guasti che si verificano a causa di sottotensione o sovratensione, installazione elettrica difettosa, utilizzo dell'apparecchio con un valore di tensione diverso da quello specificato nella targhetta del prodotto,
- Danni e/o guasti che si verificano a causa di incendio o fulmine,
- Guasti dovuti ad un utilizzo contrario a quanto specificato nel manuale del prodotto a cui l'utente deve prestare attenzione.
- Rottura del vetro
- Errori derivanti da interventi o tentativi di riparazione dell'apparecchio da parte di personale non autorizzato.
- Errori che si verificano a causa di parti diverse da quelle fornite dall'importatore installate sull'apparecchio

La responsabilità di compilare il certificato di garanzia e di presentarlo al consumatore ricade sui venditori, rivenditori, agenzie o agenti da cui il consumatore ha acquistato il bene. La presente garanzia decade qualora il certificato di garanzia sia danneggiato, il numero di serie originale sul prodotto sia rimosso o danneggiato. I filtri in alluminio utilizzati nelle cappe devono essere puliti nei periodi e con le modalità specificate nel manuale. Ossidazione o scolorimento possono essere osservati sui filtri nel tempo, in base all'utilizzo. Queste condizioni sono normali, non compromettono il funzionamento dell'apparecchio e non sono coperte da garanzia. Ossidazione, ossidazione e increspature superficiali possono essere visibili sui prodotti in acciaio inossidabile qualora non vengano rispettate le avvertenze specificate nel manuale. Queste condizioni non sono coperte da garanzia.

ASSISTENZA, RICAMBI, GARANZIA

Avvertenze relative alla spedizione e al trasporto

- Seguire le indicazioni riportate sulla confezione durante la spedizione

Se hai bisogno di un mezzo di trasporto;

- Conservare la confezione originale.
- Per trasportare l'apparecchio utilizzare l'imballaggio originale e seguire le istruzioni per la movimentazione riportate sulla confezione.

Se manca la confezione originale;

- Non appoggiare oggetti pesanti sul cofano.

SERVIZI POST-VENDITA:

Contattare il produttore per conoscere il centro di assistenza autorizzato più vicino.

- Al momento dell'acquisto del prodotto, fate approvare la garanzia dal vostro rivenditore autorizzato.
- Quando hai una richiesta di assistenza riguardante il tuo prodotto, puoi chiamare la linea di assistenza clienti.
- Chiedi al tecnico che verrà a fornirti il servizio di mostrarti "il suo tesserino di identificazione del tecnico".
- Non dimenticare di richiedere una "Ricevuta di Assistenza" al termine del lavoro. Questa ricevuta ti sarà utile se in seguito dovessi riscontrare nuovamente problemi con il prodotto.
- Vita utile: 10 anni. Durante questo periodo, il produttore garantisce la disponibilità dei pezzi di ricambio necessari per il prodotto.

SE LA CAPP A NON FUNZIONA:

Prima di contattare il servizio:

Assicurarsi che l'apparecchio sia collegato alla presa di corrente e che i fusibili siano in buone condizioni. Non eseguire operazioni che possano danneggiare il prodotto. Controllare la cappa secondo la Tabella 1 prima di contattare l'assistenza. Se il problema persiste, contattare il centro di assistenza autorizzato più vicino.

Assistenza e ricambi:

In caso di necessità, è possibile ottenere pezzi di ricambio per il prodotto presso il centro di assistenza autorizzato. Quando si contatta il centro di assistenza o il rivenditore, si prega di comunicare il nome del prodotto e il modello riportati sull'etichetta del prodotto, in modo da poter richiedere i pezzi di ricambio. L'etichetta del prodotto è visibile rimuovendo il filtro a cartuccia in alluminio.

RISOLUZIONE DEI PROBLEMI

| Problema | Possibile causa | Soluzione |
|--|---|---|
| L'apparecchio non funziona. | L'elettrodomestico potrebbe non essere collegato. | Assicurarsi che il cavo di alimentazione sia collegato. |
| | Il tasto On/Off potrebbe non essere premuto. | Premere il tasto On/Off. |
| | Un oggetto estraneo potrebbe essere incastrato nella ventola del motore. Se il movimento del motore viene ostacolato, il motore smetterà di funzionare come parte dello scenario di protezione. | Il prodotto deve essere scollegato. Dopo l'interruzione dell'alimentazione, è necessario rimuovere l'oggetto estraneo incastrato nella ventola, che ne ostacola il movimento. |
| L'illuminazione non funziona. | L'elettrodomestico potrebbe non essere collegato. | Assicurarsi che il cavo di alimentazione sia collegato. |
| | La chiave dell'elettrodomestico potrebbe non funzionare. | Seleziona il pulsante. |
| | La lampada potrebbe essere difettosa | Sostituire la lampada |
| Le prestazioni dell'apparecchio non sono adeguate oppure l'apparecchio produce troppo rumore durante il funzionamento. | Se si utilizza la cappa senza canna fumaria, i filtri al carbone potrebbero avere più di 4 mesi. | Sostituire i filtri al carbone. |
| | Potrebbe non esserci un apporto sufficiente di aria fresca in cucina per garantire il flusso d'aria. | Lasciare che l'ambiente venga arieggiato aprendo le finestre. |
| | L'uscita dell'aria potrebbe essere parzialmente o completamente bloccata. | Controllare che il percorso di scarico dell'aria sia libero. |

Nota: se non riesci a risolvere il problema nonostante tu abbia seguito le istruzioni in questa sezione, puoi contattare il nostro centro di assistenza autorizzato più vicino o ottenere supporto dal nostro call center.

<https://wiggo.eu/support/services/>

SCHEDA PRODOTTO

| | | | | |
|--|------------|---|---|---|
| Codice prodotto | | Modello WE-A531G | Modello WE-A532G | Modello WE-A533G |
| Tipo di prodotto | | Angolato Curvo | Angolato Curvo | Angolato Curvo |
| Larghezza (mm)/Colore | | 50 cm / Nero | 50 cm / Nero | 50 cm / Nero |
| Tipo di controllo | | Controllo ECO Touch | Controllo ECO Touch | Controllo ECO Touch |
| Potenza totale del motore (W) | | 1 x BLDC330 34W | 1 x BLDC330 34W | 1 x BLDC330 34W |
| Tensione/frequenza | | 220-240 V 50 Hz | 220-240 V 50 Hz | 220-240 V 50 Hz |
| Tipo di spina | | Tipo UE | Tipo UE | Tipo UE |
| Tipo di motore | | Motore con avvolgimento in filo di rame | Motore con avvolgimento in filo di rame | Motore con avvolgimento in filo di rame |
| Livello di velocità | | 3 | 3 | 3 |
| Quantità di vetro / Colore | | 1 / Nero | 2 / Nero | 3 / Nero |
| Sistema dell'aria | | Sistema di uscita dell'aria a doppia ventilazione | Sistema di uscita dell'aria a doppia ventilazione | Sistema di uscita dell'aria a doppia ventilazione |
| Diametro dell'uscita dell'aria (mm) | | 120 | 120 | 120 |
| Numero di camini e colore | | 2 / Nero | 2 / Nero | 2 / Nero |
| Lunghezza del camino (mm) | | 300 | 300 | 300 |
| Tipo di filtro al carbone | | Opzionale | Opzionale | Opzionale |
| Filtro metallico | | Filtro in alluminio a 3 strati | Filtro in alluminio a 3 strati | Filtro in alluminio a 3 strati |
| Tipo di illuminazione | | 2 lampade a LED da 1 W (6500 K) | 2 lampade a LED da 1 W (6500 K) | 2 lampade a LED da 1 W (6500 K) |
| Consumo energetico annuo, AECheod | [kWh/anno] | 12,6 | 13,1 | 12,2 |
| Classe di efficienza energetica | | A+ | A+ | A+ |
| Efficienza dinamica dei fluidi, FDEhood | [%] | 19,4 | 18,9 | 19,4 |
| Classe di efficienza dinamica dei fluidi | | C | C | C |
| Efficienza luminosa, LEhood | [lux/W] | 39 | 37 | 40 |
| Classe di efficienza luminosa | | UN | UN | UN |
| Efficienza di filtraggio del grasso, GFEhood | [%] | 52 | 61 | 67 |
| Classe di efficienza di filtraggio dei grassi | | F | E | D |
| 1 velocità del flusso d'aria in uso normale | [m3/h] | 147 | 142 | 147 |
| Flusso d'aria a 2 velocità in uso normale | [m3/h] | 218 | 215 | 226 |
| Flusso d'aria a 3 velocità in uso normale | [m3/h] | 260 | 259 | 265 |
| Flusso d'aria a 4 velocità in uso normale | [m3/h] | - | - | - |
| Flusso d'aria con impostazione intensiva/boost | [m3/h] | - | - | - |
| Emissione di potenza sonora ponderata A a 1 velocità | [dB(A)] | 36 | 42 | 41 |
| Emissione di potenza sonora ponderata A a 2 velocità | [dB(A)] | 50 | 51 | 51 |
| Emissione di potenza sonora ponderata A a 3 velocità | [dB(A)] | 55 | 56 | 56 |
| Emissione di potenza sonora ponderata A a 4 velocità | [dB(A)] | - | - | - |
| Emissione di potenza sonora ponderata A a velocità intensiva/boost | [dB(A)] | - | - | - |
| Consumo energetico in modalità di spegnimento, PO | [IN] | N / A | N / A | N / A |
| Consumo energetico in modalità stand-by, PS | [IN] | 0,4 | 0,41 | 0,4 |
| Fattore di aumento del tempo, f | | 1,3 | 1,3 | 1,3 |
| Indice di efficienza energetica, EEIhood | | 43,2 | 44,4 | 42,5 |
| Portata d'aria misurata al punto di massima efficienza, QBEP | [m3/h] | 150 | 156,5 | 162,8 |
| Pressione dell'aria misurata al punto di massima efficienza, PBEP | [BENE] | 120 | 112 | 110 |
| Flusso d'aria massimo, Qmax | [m3/h] | 260 | 259,1 | 265,1 |
| Potenza elettrica misurata al punto di massima efficienza, WBEP | [IN] | 25,7 | 25,9 | 25,7 |
| Potenza nominale dell'impianto di illuminazione, WL | [IN] | 2 | 2 | 2 |
| Illuminazione media del sistema di illuminazione sul piano di cottura, Emiddle | [lux] | 79 | 74 | 80 |
| Peso netto | [kg] | | | |
| Peso lordo | [kg] | | | |
| Quantità per camion / 40HC | [pezzi] | 1056/858 | 1056/858 | 1056/858 |
| Tipo di pacchetto | | Scatola di cartone supportata da Foem | Scatola di cartone supportata da Foem | Scatola di cartone supportata da Foem |
| Infiammabilità delle materie plastiche | | Parti in plastica ignifuga | Parti in plastica ignifuga | Parti in plastica ignifuga |

Termini e condizioni generali di assistenza e garanzia (maggio 2024)

I presenti termini e condizioni di assistenza e garanzia si applicano agli acquisti di elettrodomestici da cucina Wiggo nella regione del Benelux dopo il 1 maggio 2024. Ci impegniamo a fornire un servizio clienti e una qualità del prodotto eccellenti; per richieste o termini su acquisti precedenti, visitare www.wiggo.eu.

Articolo 1: Garanzia

Noi di Wiggo ci dedichiamo all'eccellente qualità e alla durata dei nostri elettrodomestici da cucina e ci impegniamo a garantire un'esperienza cliente senza soluzione di continuità. In caso di problemi, forniamo una soluzione adeguata, dalla riparazione alla sostituzione, per garantire la vostra soddisfazione.

Hai scoperto un difetto? Segnalalo tramite il nostro portale di servizio all'indirizzo www.wiggo.eu/services per un supporto tempestivo. I nostri termini di garanzia ti offrono cinque anni di garanzia dopo l'acquisto dei nostri elettrodomestici.

Articolo 2: Esclusioni dalla Garanzia

Anche se garantiamo la qualità dei nostri elettrodomestici da cucina, ci sono alcuni casi in cui la garanzia non si applica:

- A. Elettrodomestici da cucina che non sono stati acquistati come "nuovi".
- B. Difetti o danni a un elettrodomestico segnalati a Wiggo dopo il periodo di garanzia di 5 anni.
- C. Utilizzo in ambiente non domestico o per scopi commerciali.
- D. Sulla fornitura di materiali di consumo, parti e accessori.
- E. Riparazioni non autorizzate e/o utilizzo di parti non ufficiali.
- F. Elettrodomestici da cucina: senza numeri di identificazione leggibili, acquistati al di fuori del Benelux, venduti come modelli di categoria B o da showroom.
- G. Danni, normale usura o piccole deviazioni che non influiscono sulla funzionalità.
- H. Danni o difetti ad accessori, guarnizioni delle porte ed elementi fragili come vetro, plastica e lampade.
- I. Danni o difetti dovuti a danni dovuti all'acqua o ad altre sostanze a cui il prodotto non è resistente, come l'utilizzo di un detergente sbrigliato.
- J. Danni o difetti dovuti a uso, funzionamento, caricamento, assemblaggio e/o manutenzione impropri.
- K. Danni o difetti esterni all'apparecchio, compresi danni consequenziali e indiretti.
- L. Danni o difetti causati da azioni non conformi al manuale.
- M. Danni o perdite normalmente coperti dall'assicurazione domestica.
- N. Danni o difetti dovuti a fluttuazioni di potenza e tensione che superano l'intervallo di tolleranza indicato da Wiggo.
- O. Danni o difetti causati dalla negligenza dell'utente.
- P. Danni causati o derivanti da una causa esterna.

Articolo 3: Richiesta di garanzia

A. Problemi con il tuo prodotto? Segnalatelo tempestivamente, entro e non oltre 48 ore, tramite www.wiggo.eu/services.

B. Inviaci una copia della prova d'acquisto, poiché è

necessaria per la tua richiesta di garanzia.

C. Ti terremo informato sul processo di gestione tramite e-mail o telefono.

D. In caso di sostituzione resta valido il periodo di garanzia originale.

E. Le parti e gli apparecchi sostituiti diventano di proprietà di Wiggo.

Articolo 4: Servizio post-garanzia

A. Problemi con i tuoi elettrodomestici da cucina dopo il periodo di garanzia? Compila il modulo di servizio su www.wiggo.eu/services.

B. Le spese di spedizione e/o le spese di intervento per ispezione, riparazione o parti sono a tuo carico.

C. Forniamo un preventivo di costo per l'ispezione e la riparazione in anticipo. Dopo l'approvazione, invieremo una richiesta di pagamento e quindi fisseremo un appuntamento.

D. Eventuali costi aggiuntivi verranno chiaramente comunicati dopo la riparazione.

E. Il pagamento al tecnico dell'assistenza autorizzato può essere effettuato facilmente tramite un codice QR o una richiesta di pagamento.

Articolo 5: Reclami

Oltre a qualsiasi diritto derivante dalle garanzie legali o da altre garanzie stipulate, non hai diritto a nessun altro diritto oltre a quelli menzionati nella presente garanzia.

Articolo 6: Uso internazionale

Se porti il tuo elettrodomestico Wiggo oltre confine, la garanzia non sarà più valida. Controlla le garanzie locali e assicurati che il tuo apparecchio soddisfi i requisiti tecnici (come tensione, frequenza, tipo di gas, ecc.) e le condizioni climatiche locali.

Articolo 7: Visita di servizio e manutenzione

A. Se il tecnico determina che non esiste alcun problema reale (il prodotto funziona come dovrebbe), ti verrà addebitato il costo della visita del tecnico. Questi costi si basano sulle tariffe prevalenti in quel momento.

B. Gli apparecchi non funzionanti o difettosi devono essere vuoti e puliti quando il tecnico dell'assistenza autorizzata viene per la riparazione o la sostituzione. In caso contrario il tecnico o il corriere potranno rifiutare la sostituzione e addebitarla.

C. Il pagamento al tecnico dell'assistenza autorizzato può essere effettuato facilmente tramite un codice QR o una richiesta di pagamento.

Articolo 8: Responsabilità

Siamo responsabili solo fino all'importo coperto dalla nostra assicurazione. Nota: per elettrodomestici da cucina non Wiggo o cancellazioni tardive (con almeno 24 ore di anticipo), verranno applicati dei costi. Tali addebiti si basano sulle tariffe prevalenti in quel momento.

Articolo 9: Protezione dei dati

Durante la fornitura del servizio, Wiggo raccoglie e tratta dati personali. Maggiori informazioni a riguardo sono disponibili sul sito www.wiggo.eu.

Articolo 10: Legge e controversie

Le presenti condizioni di garanzia e servizio sono soggette alla legge olandese, ad eccezione della Convenzione di Vienna sulle vendite. Le controversie saranno risolte dal tribunale olandese competente.



www.wiggo.eu

Visita il nostro sito web!