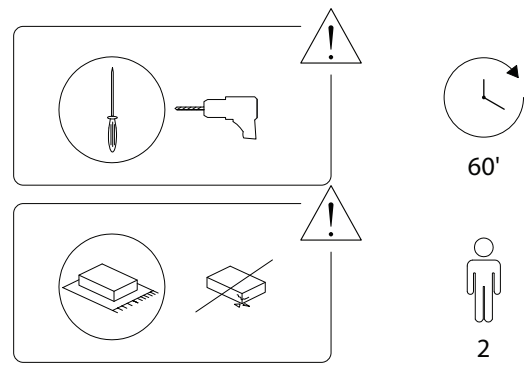
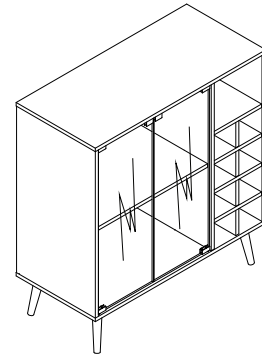
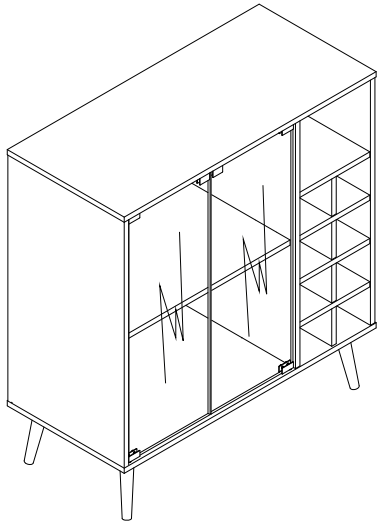
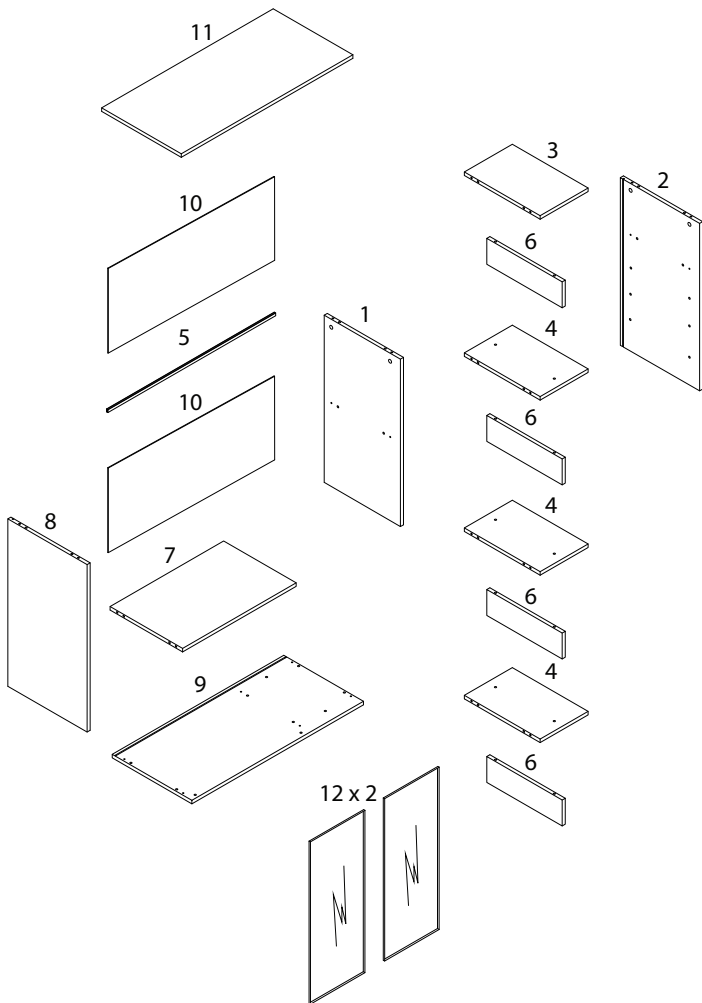


TULLAMORE

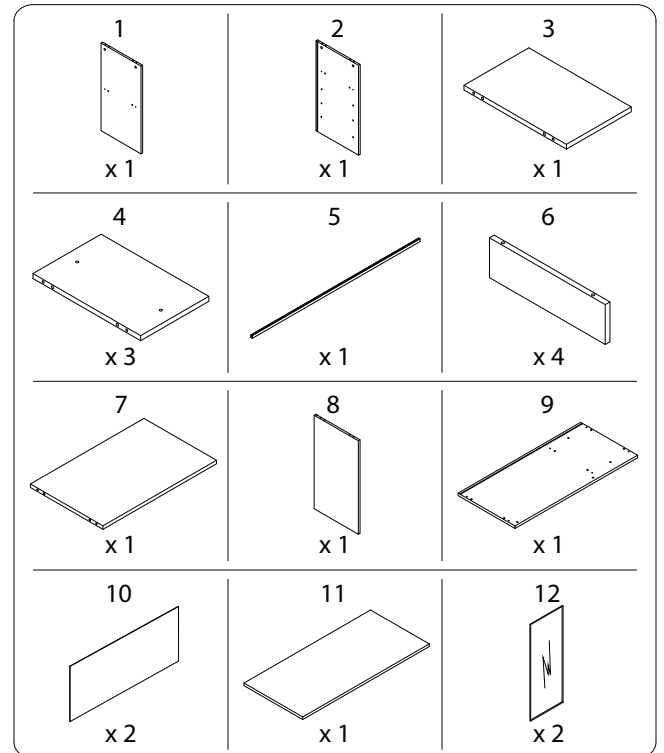


1/22

684/TULLAMORE/101024/



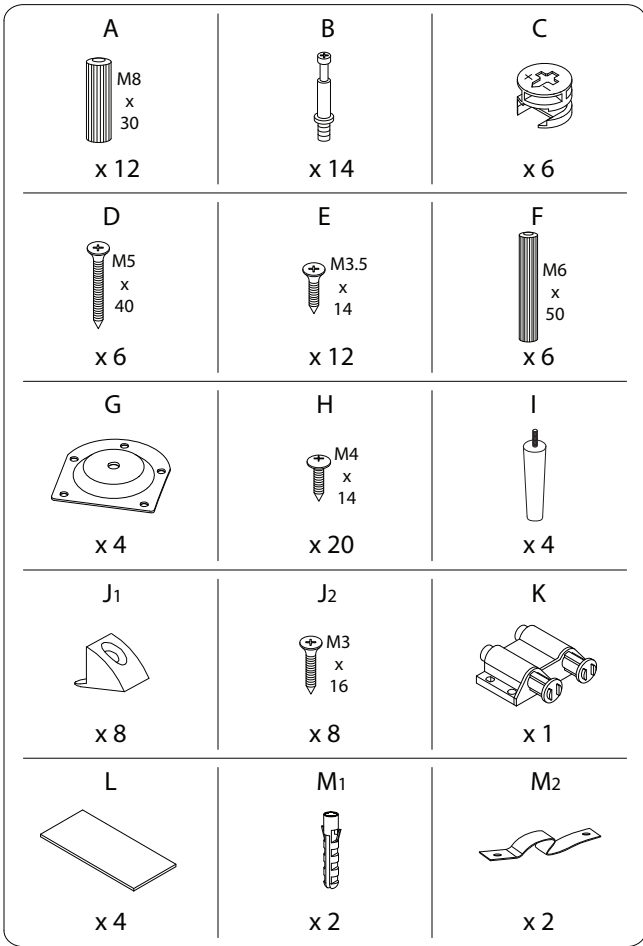
2/22



3/22

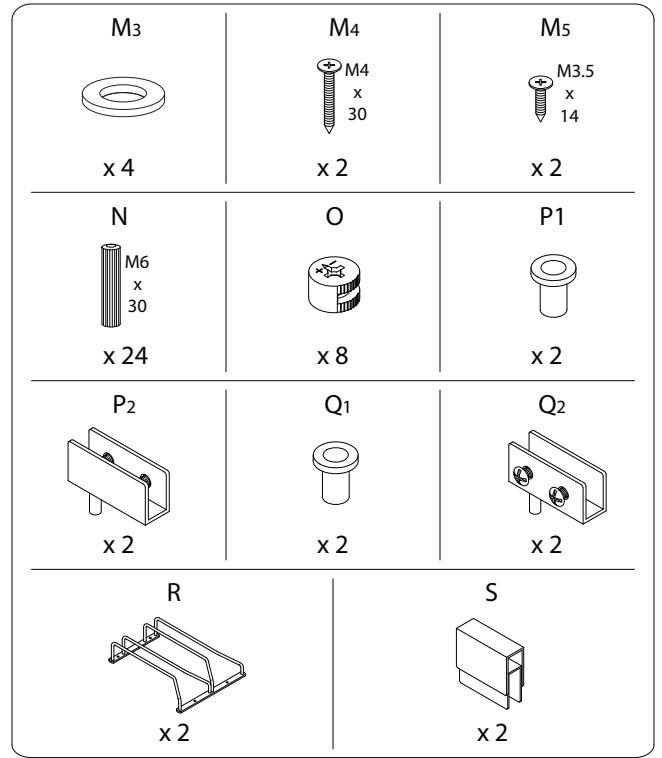
684/TULLAMORE/101024/

684/TULLAMORE/101024/



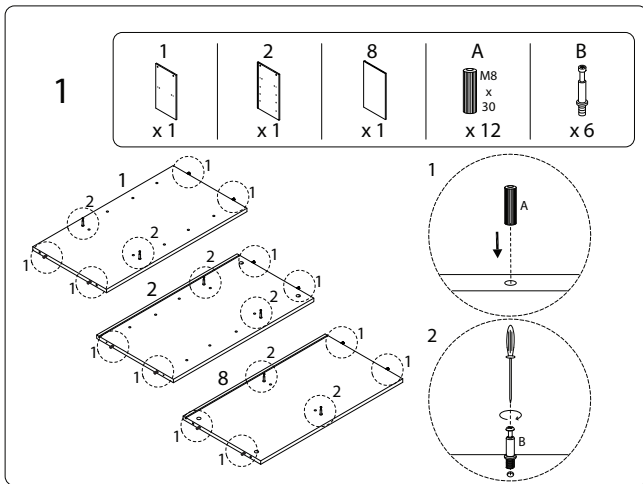
4/22

684/TULLAMORE/101024/



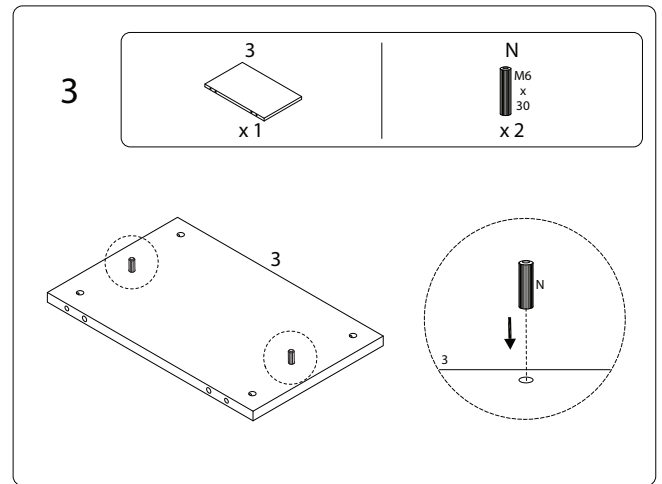
5/22

684/TULLAMORE/101024/



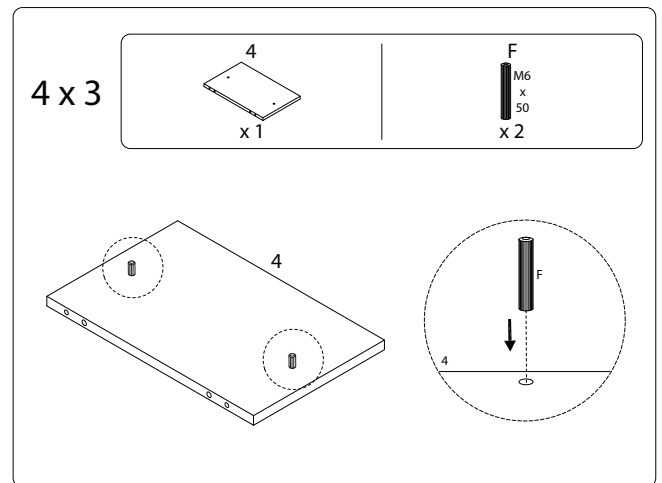
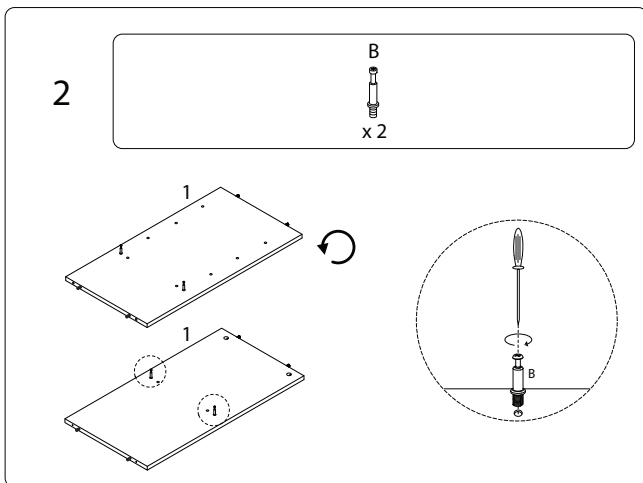
6/22

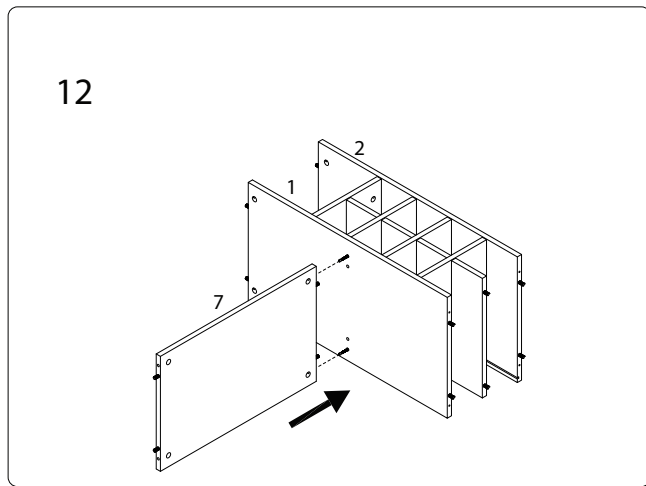
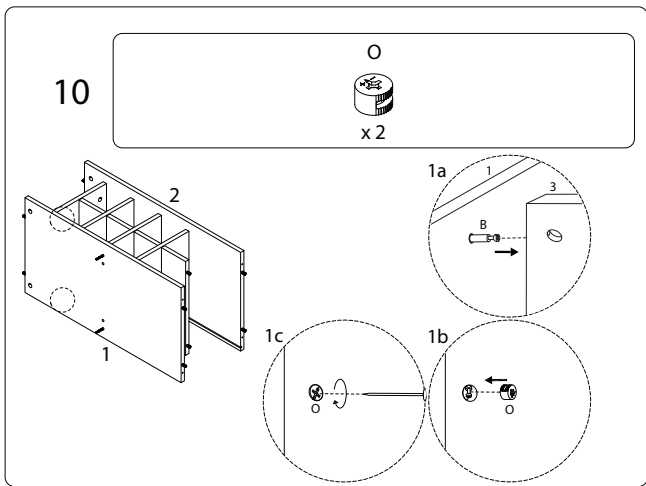
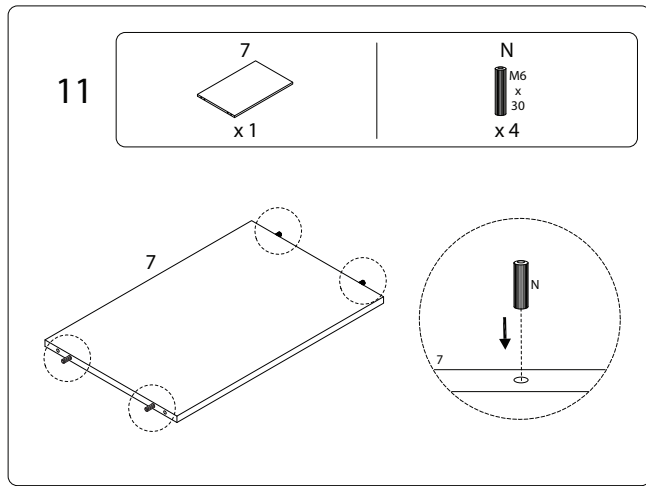
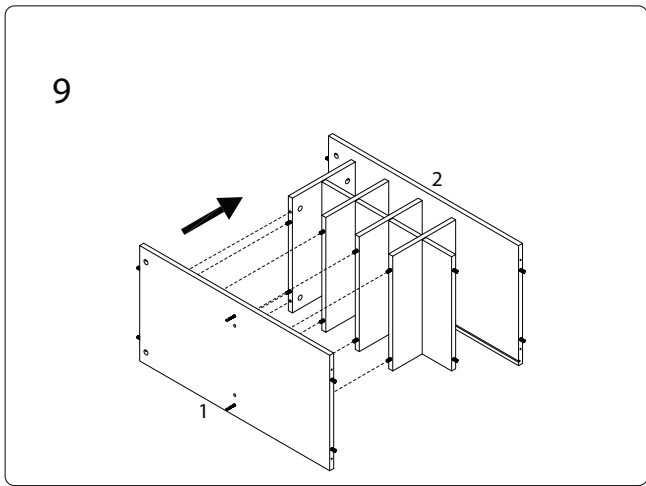
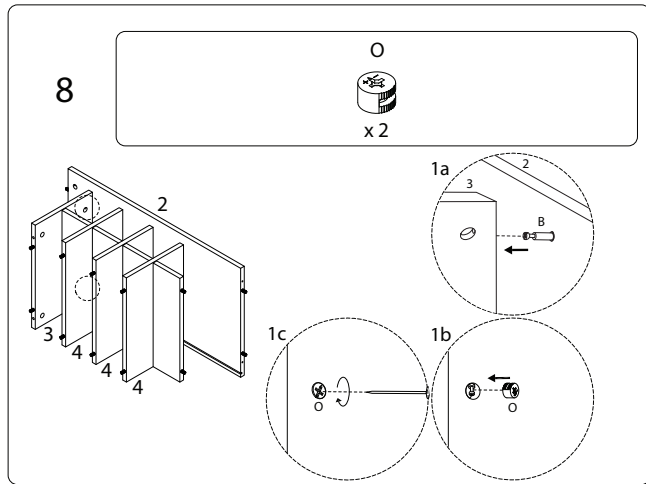
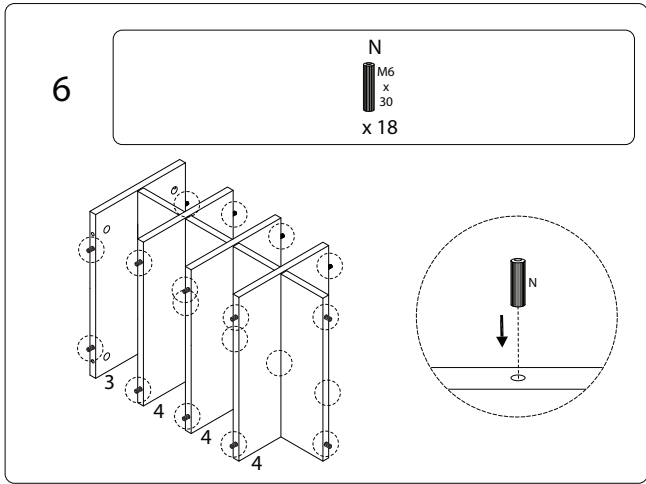
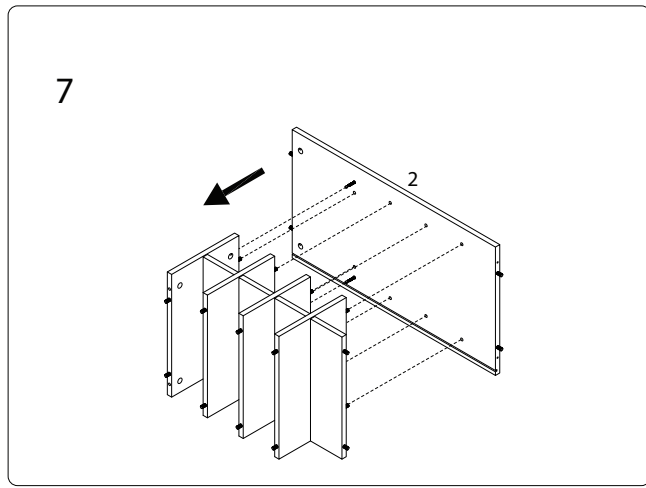
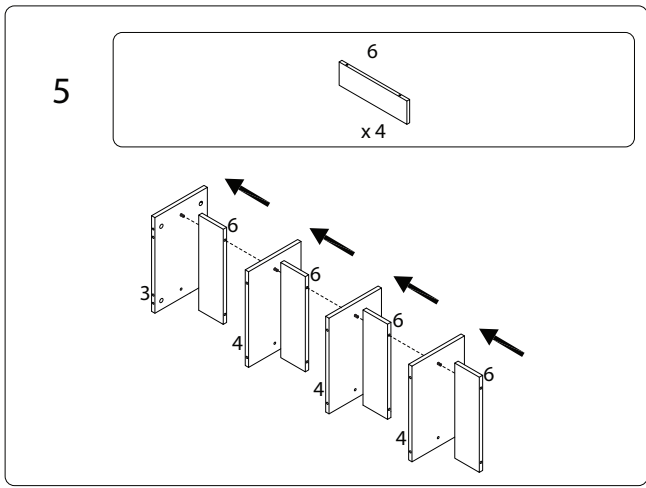
684/TULLAMORE/101024/



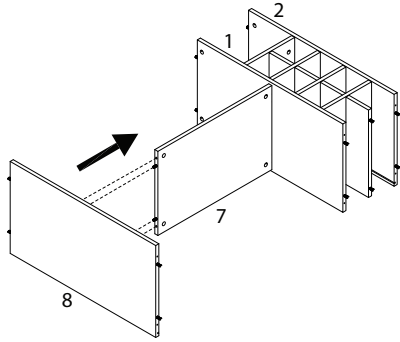
7/22

684/TULLAMORE/101024/

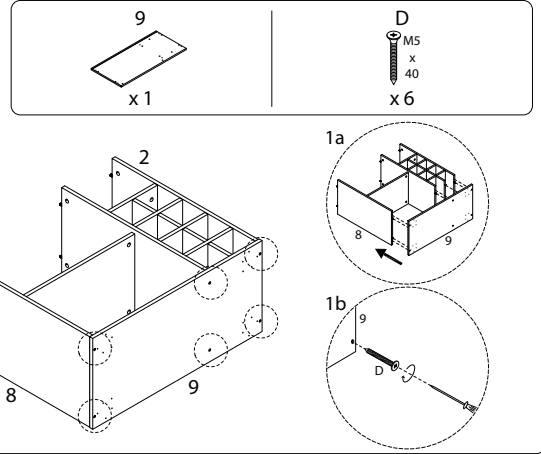




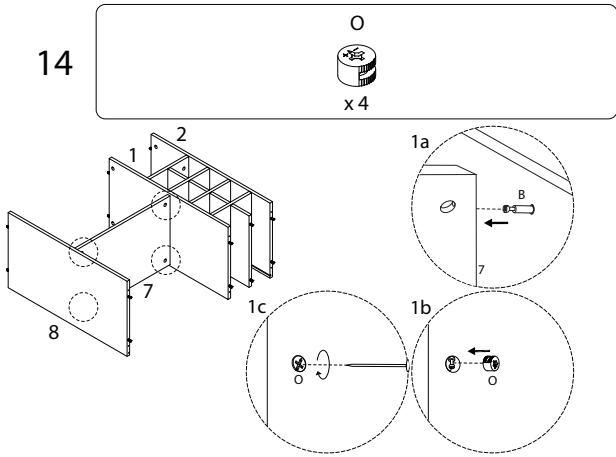
13



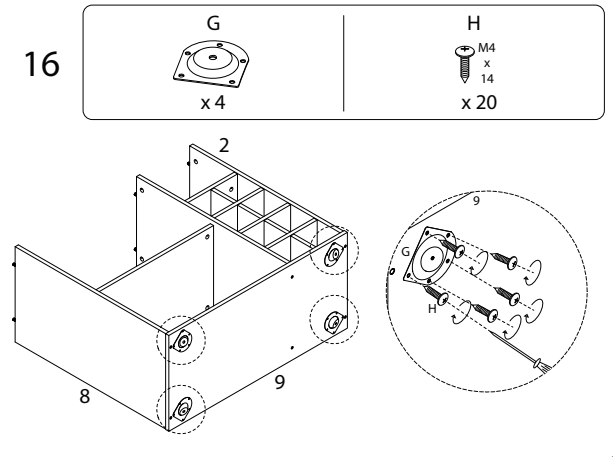
15



14



16



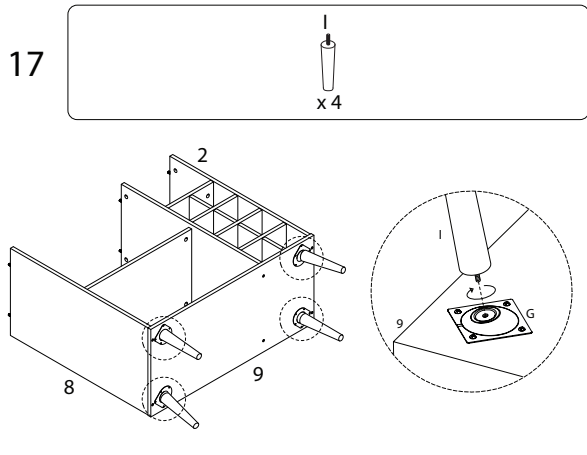
12/22

684/TULLAMORE/101024/

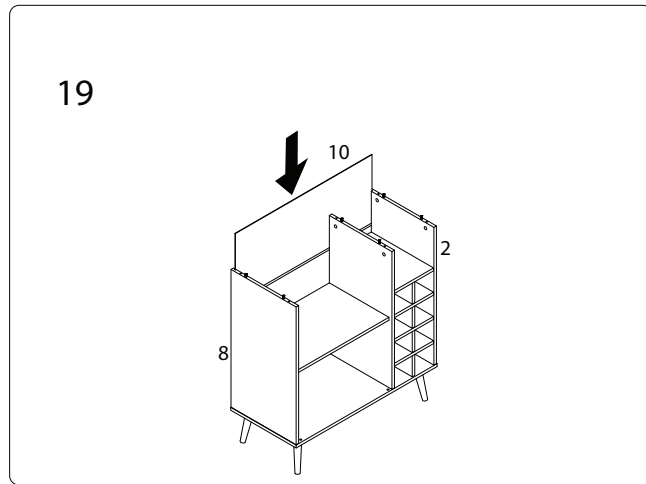
13/22

684/TULLAMORE/101024/

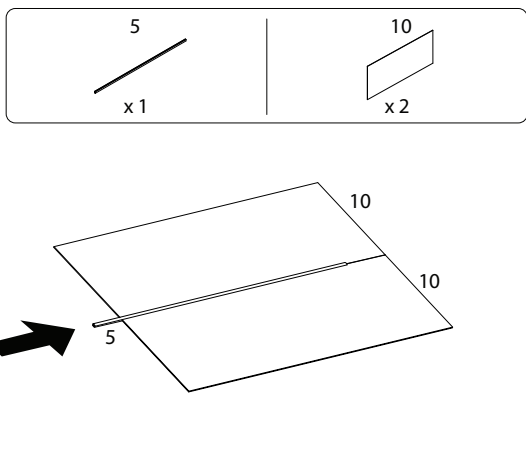
17



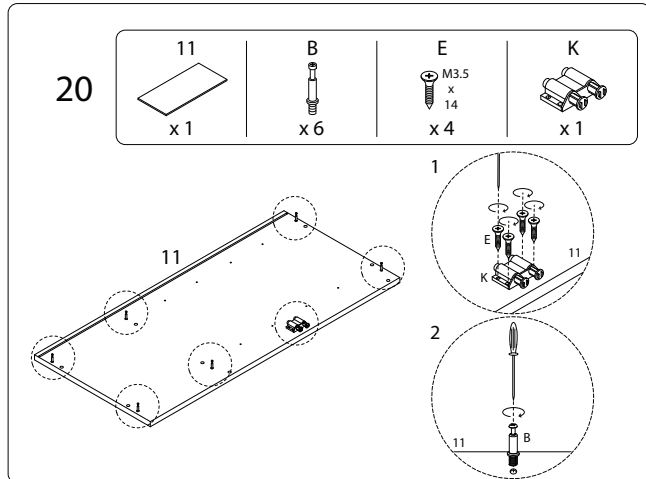
19



18



20

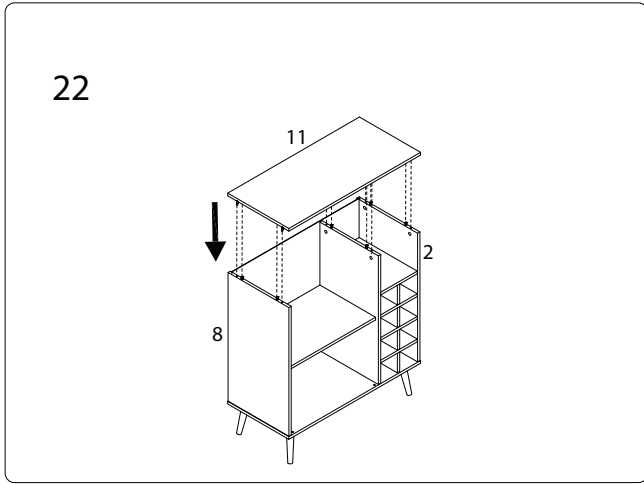
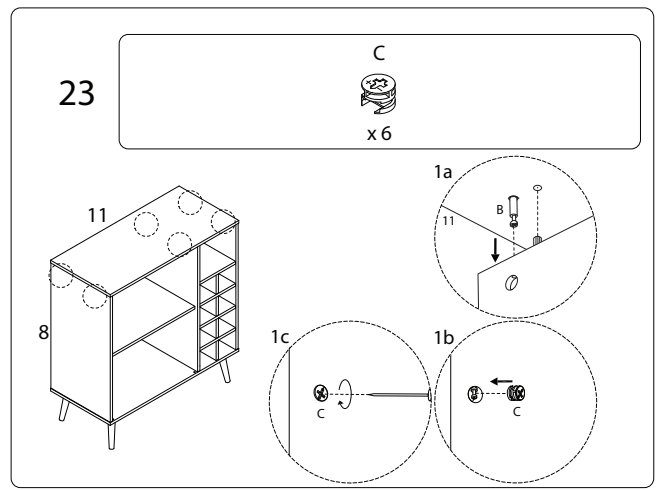
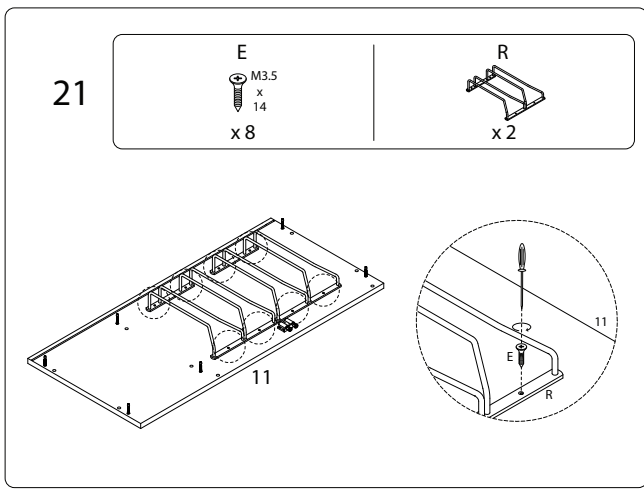


14/22

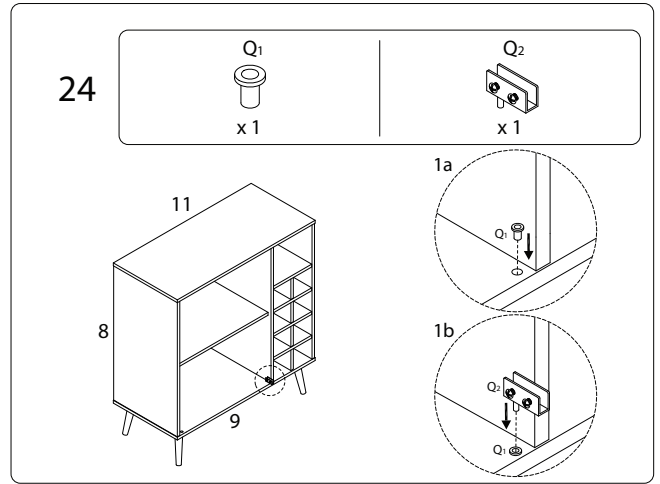
684/TULLAMORE/101024/

15/22

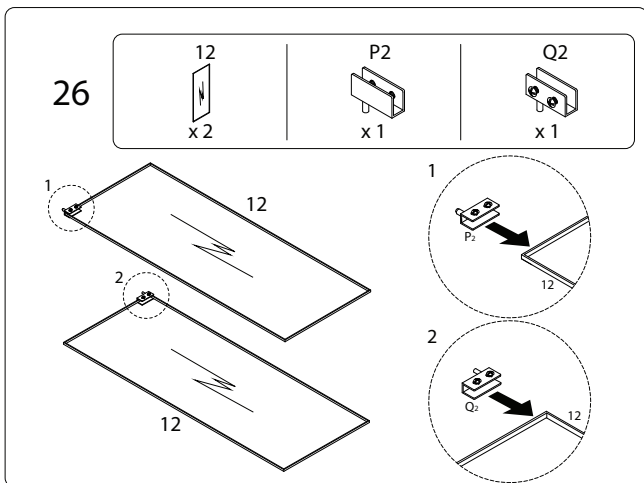
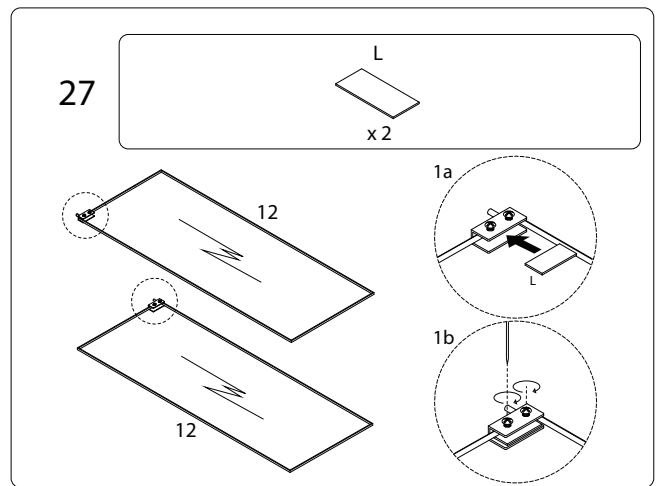
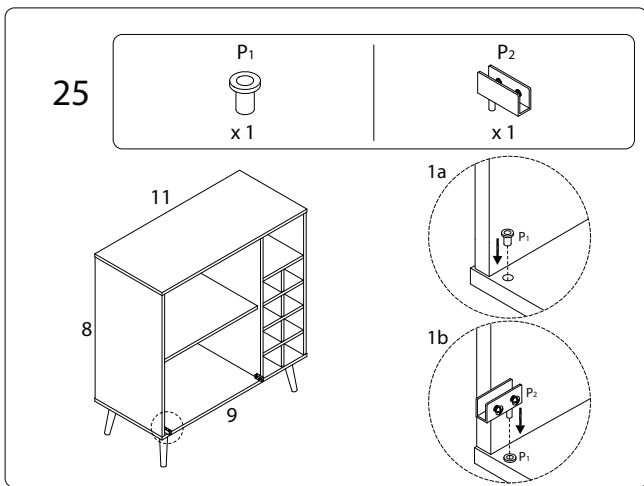
684/TULLAMORE/101024/



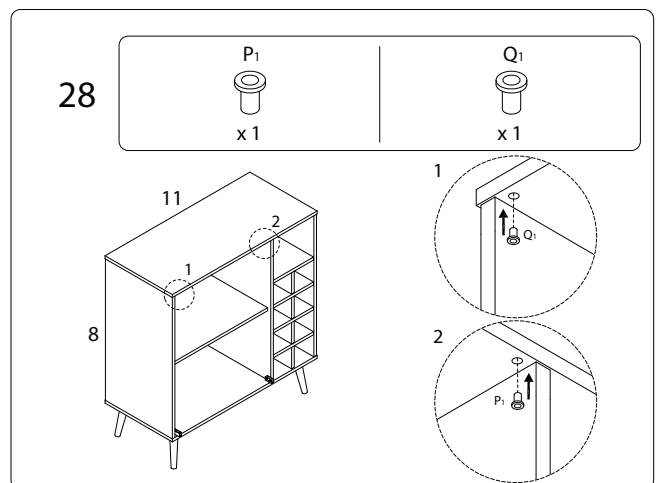
684/TULLAMORE/101024/



684/TULLAMORE/101024/

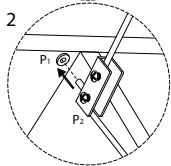
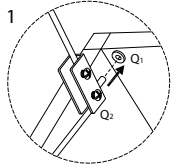
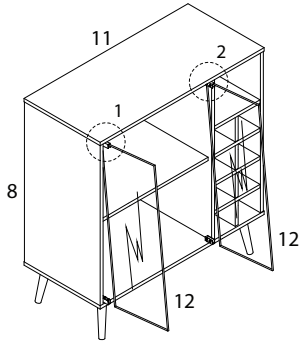


684/TULLAMORE/101024/



684/TULLAMORE/101024/

29

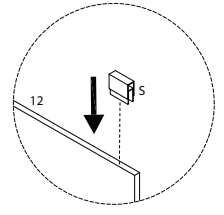
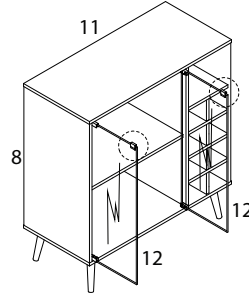


31

S



x 2

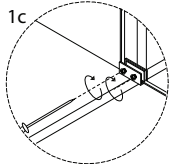
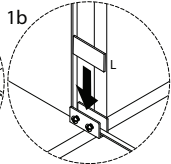
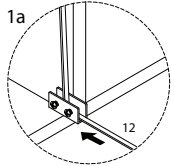
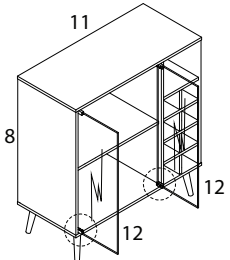


30

L



x 2



20/22

684/TULLAMORE/101024/

32

J1

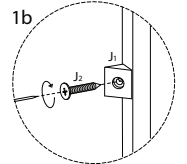
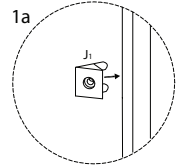
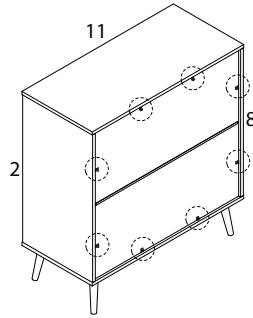


x 8

J2



x 8



21/22

684/TULLAMORE/101024/

33

M1



x 2

M2



x 2

M3



x 4

M4

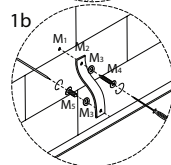
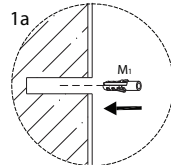
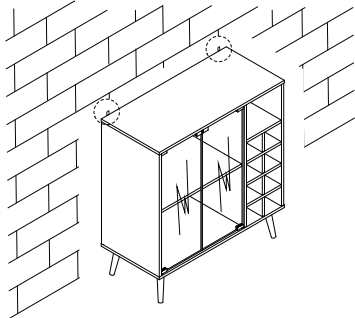


x 2

M5



x 2



22/22

684/TULLAMORE/101024/