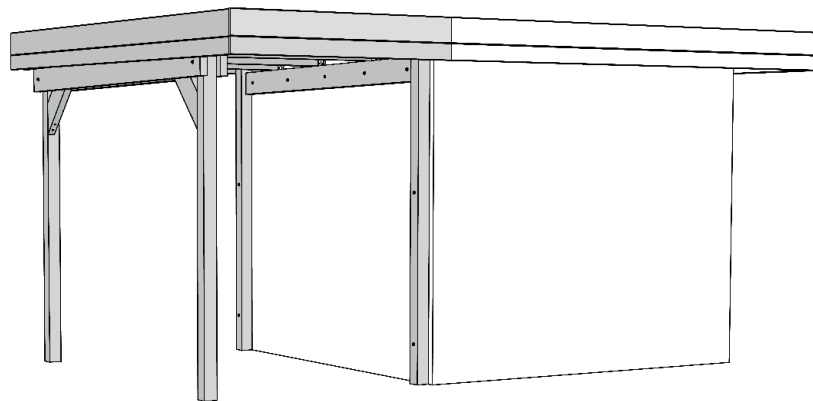




www.weka-holzbau.com



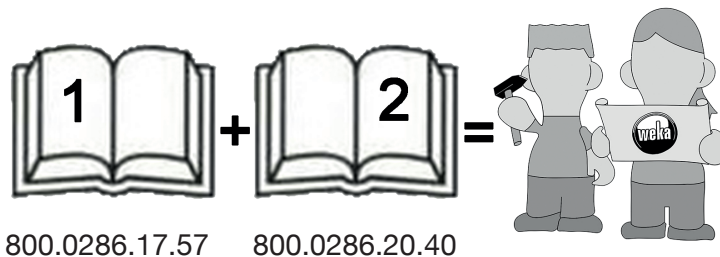
## Seitlicher Dachanbau



100.2821.70010  
100.2824.70010  
100.2830.70010

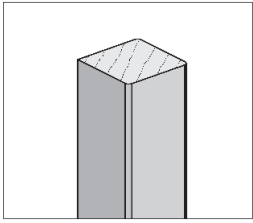
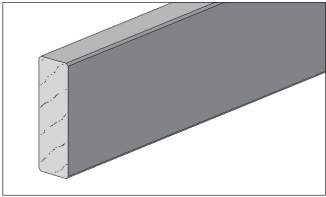
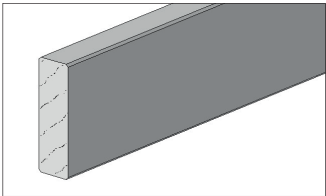
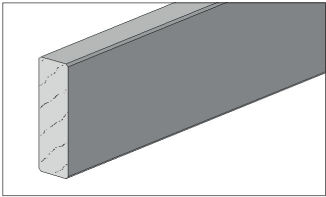
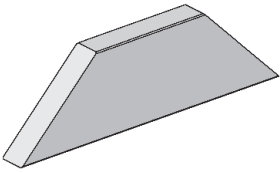
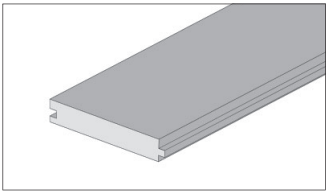
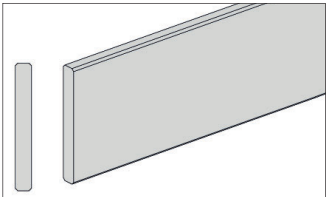
100.2821.71010  
100.2824.71010  
100.2830.71010

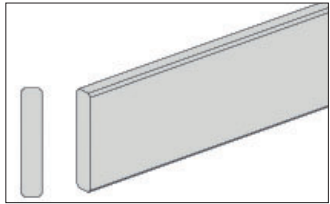
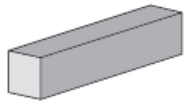
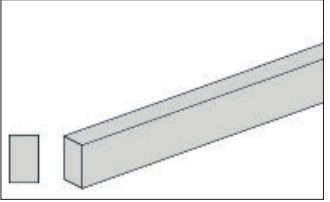
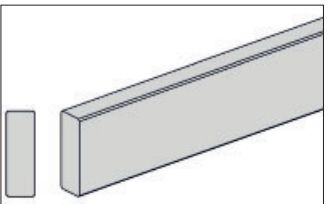
## Montage-, Bedienungs- und Wartungsanleitung

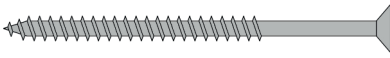







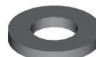
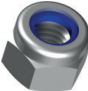

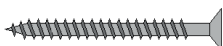
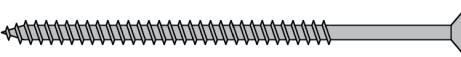


800.0286.17.57

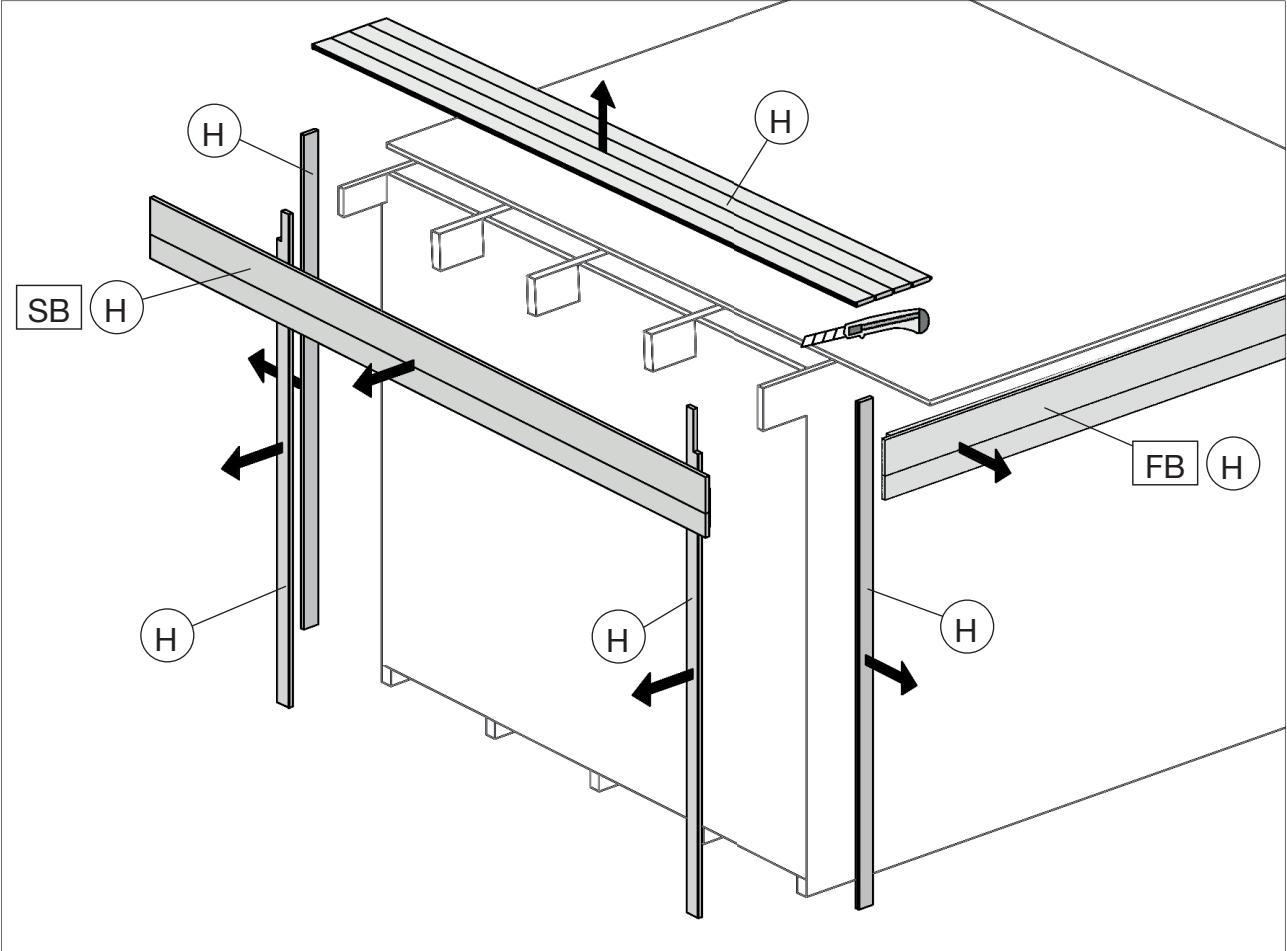
800.0286.20.40

Pos	Bild	Abmessung ( mm )	Anzahl ( Stück )		
			100.2821	100.2824	100.2830
①		80/80/2200	4	4	4
②		45/146/2050	1	-	-
		45/146/2300	-	1	-
		45/146/2950	-	-	1
③		45/146/2106	2	-	-
		45/146/2406	-	2	-
		45/146/3006	-	-	2
④		45/146/1598	5	5	5
⑤		45/146/500	2	2	2
⑥		15,5/96/2770	18	-	-
		15,5/96/3080	-	18	-
		15,5/96/3710	-	-	18
⑦		18,5/146/1610	1	1	1

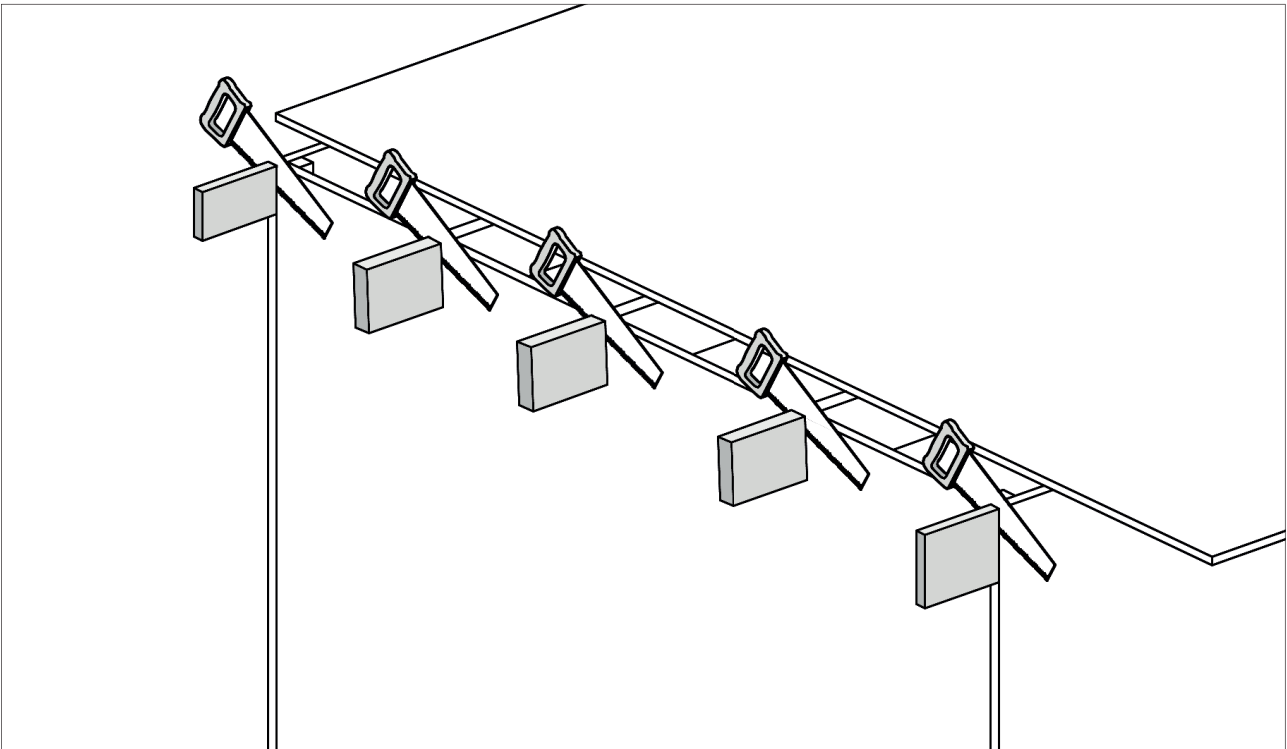
Pos	Bild	Abmessung ( mm )	Anzahl ( Stück )		
			100.2821	100.2824	100.2830
8		18,5/96/1610	1	1	1
9		28/28/150	4	4	4
10		15/25/2000	1	1	1
11		15/45/2300	2	2	2

Pos	Bild	Abmessung ( mm )	Anzahl ( Stück )
M1	K001.8050.0004 	5,0 x 80	8
M2	K001.3035.0004 	3,5 x 30	30
M3	K002.2050.0004 	5,0 x 20	100
M4	K031.5050.0001 	50/50/40	12
M5	K008.9008.0001 	M8 x 90	5
M6	K008.1208.0001 	M8 x 120	6
M7	K008.1408.0001 	M8 x 140	4
M8	K008.1808.0001 	M8 x 180	4
M9	K020.8400.0001 	8,4	38
M10	K024.0800.0001 	M8	19
M11	K010.5022.0001 	2,2 x 55	350
-	-	-	-
M13	K001.4040.0004 	4,0 x 40	47
M14	K001.1250.0004 	5,0 x 120	4

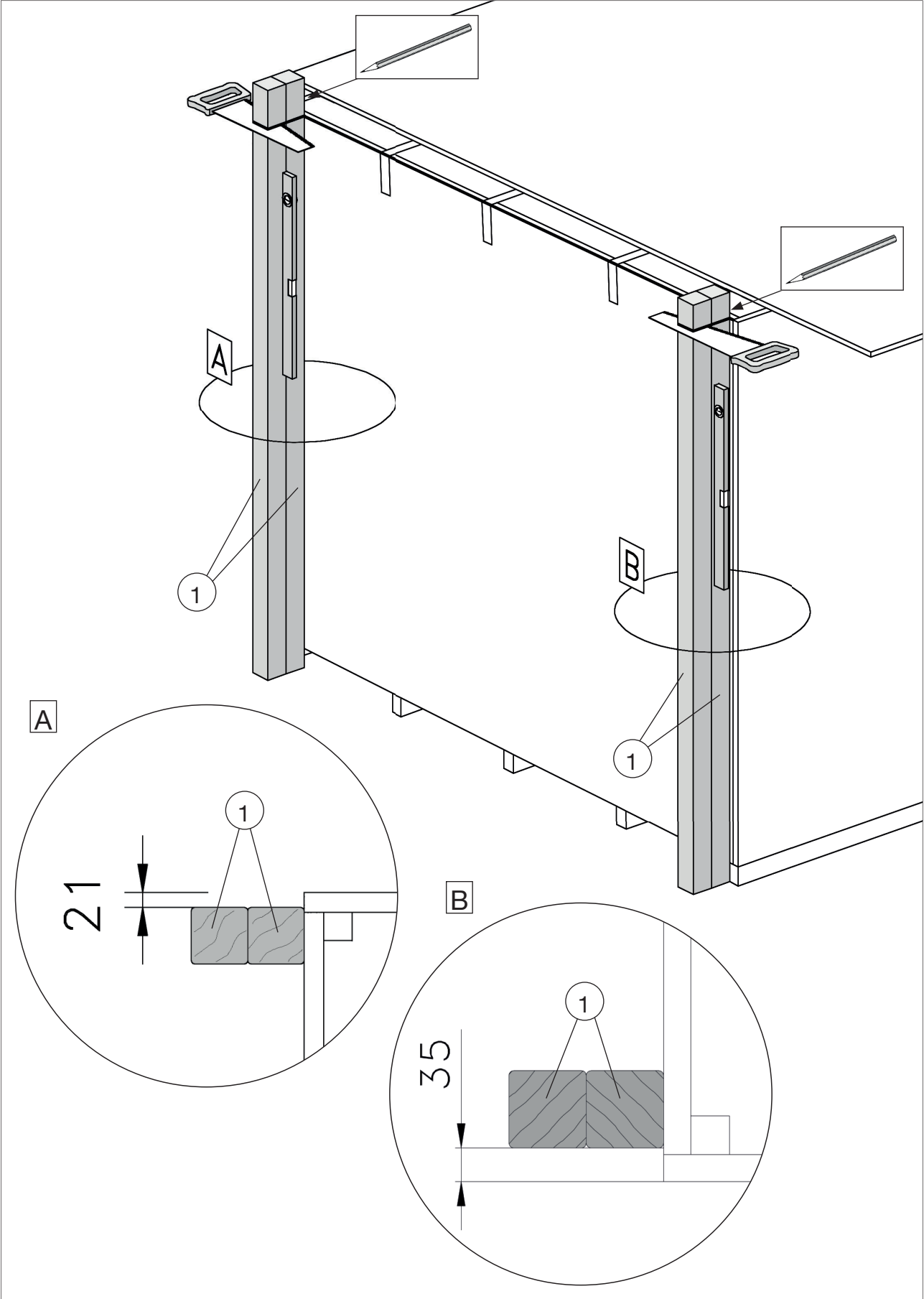
1



2

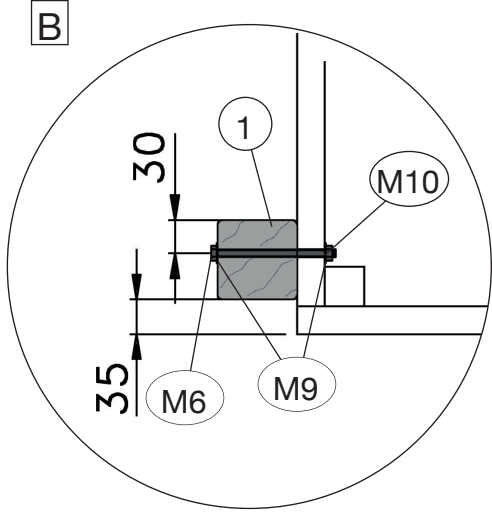
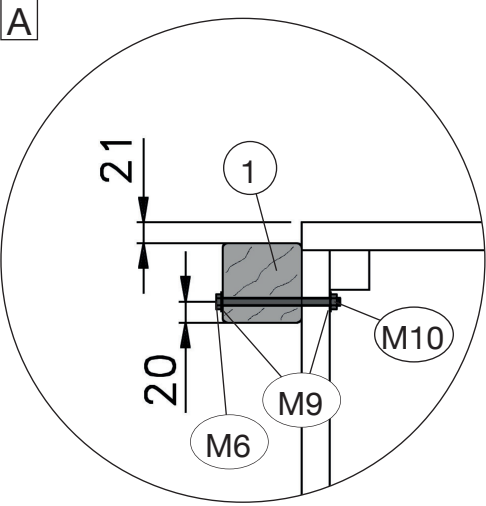
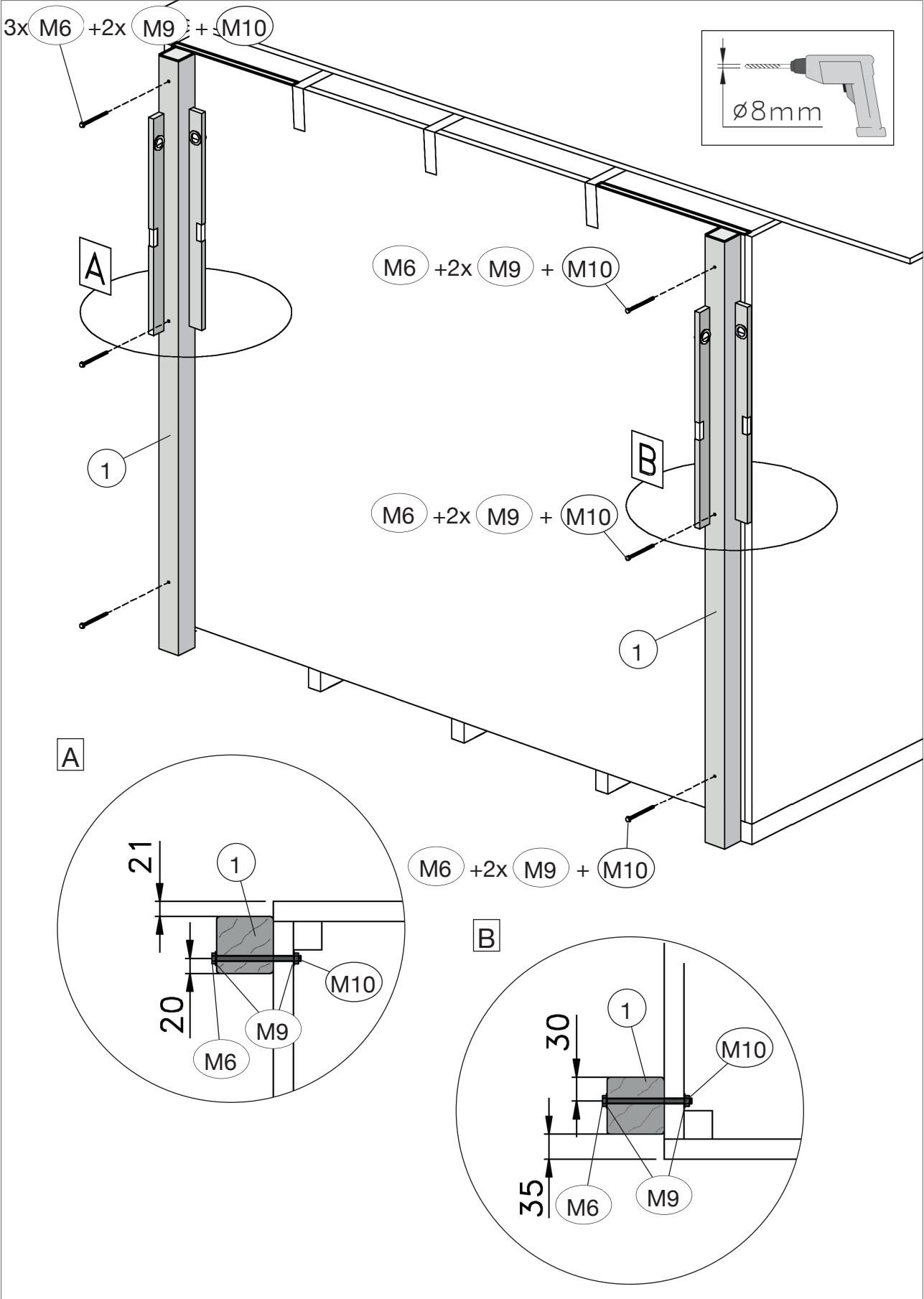


3



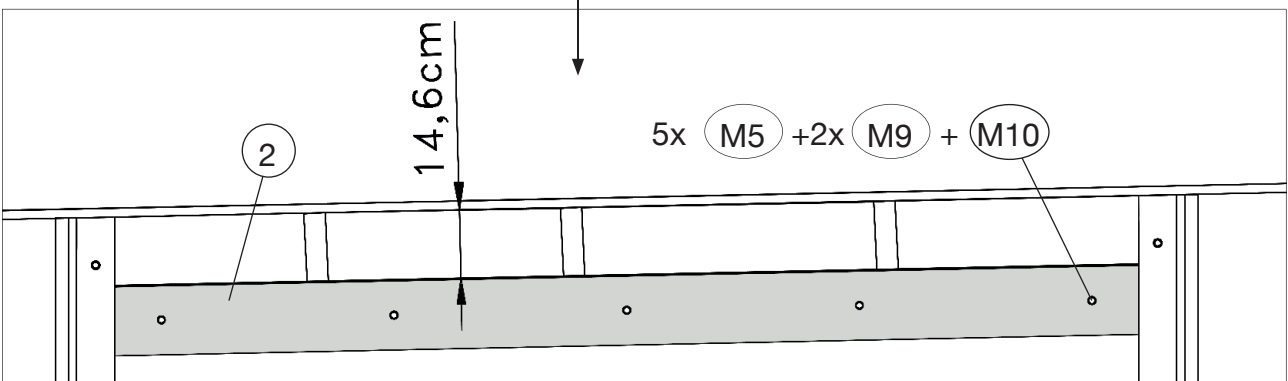
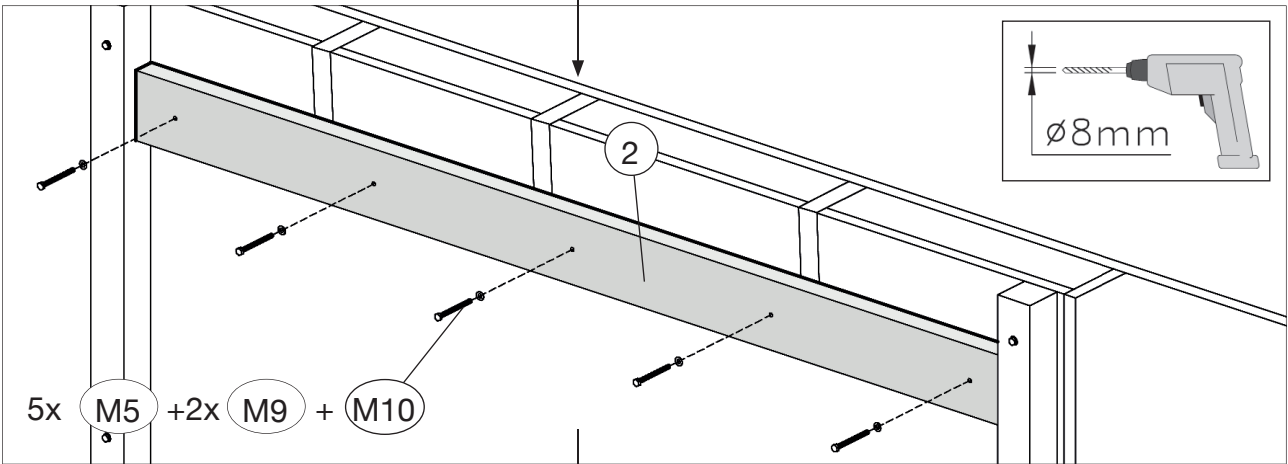
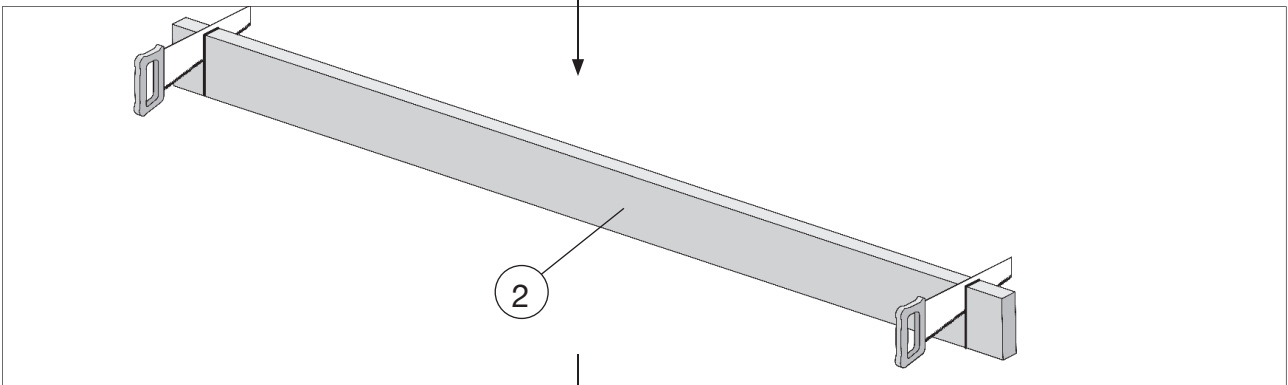
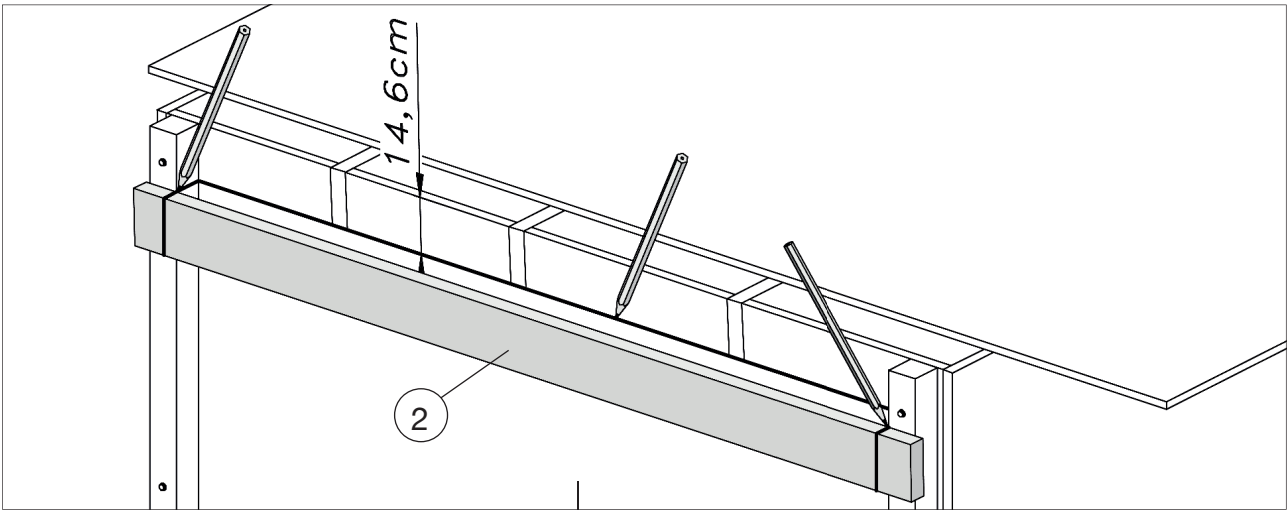
4

	M6 M8 x 120	 M9 8,4
		 M10 M8



5

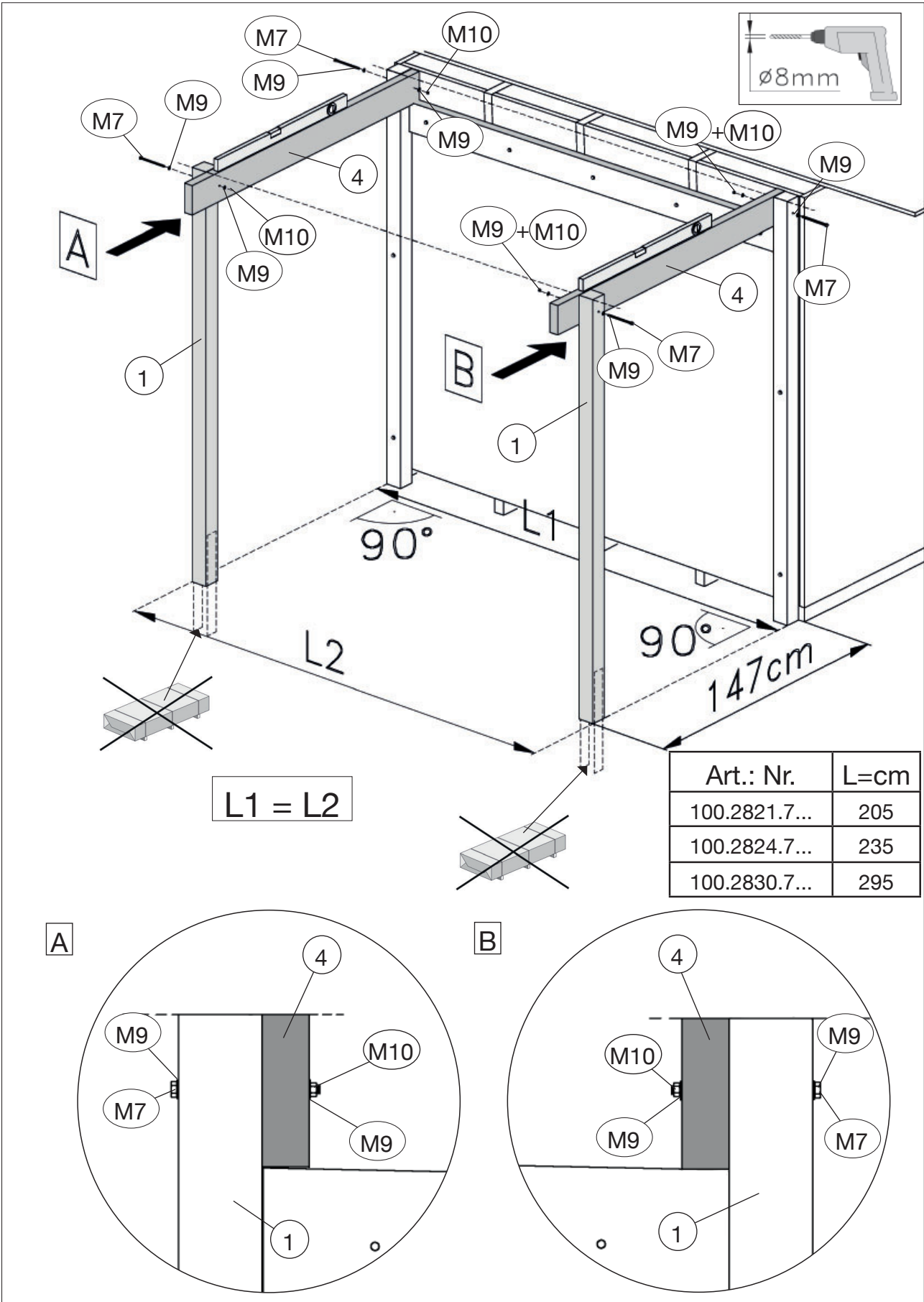
	M5	M8 x 90		M9	8,4
				M10	M8







6



	M7	M8 x 140		M9	8,4
					M10

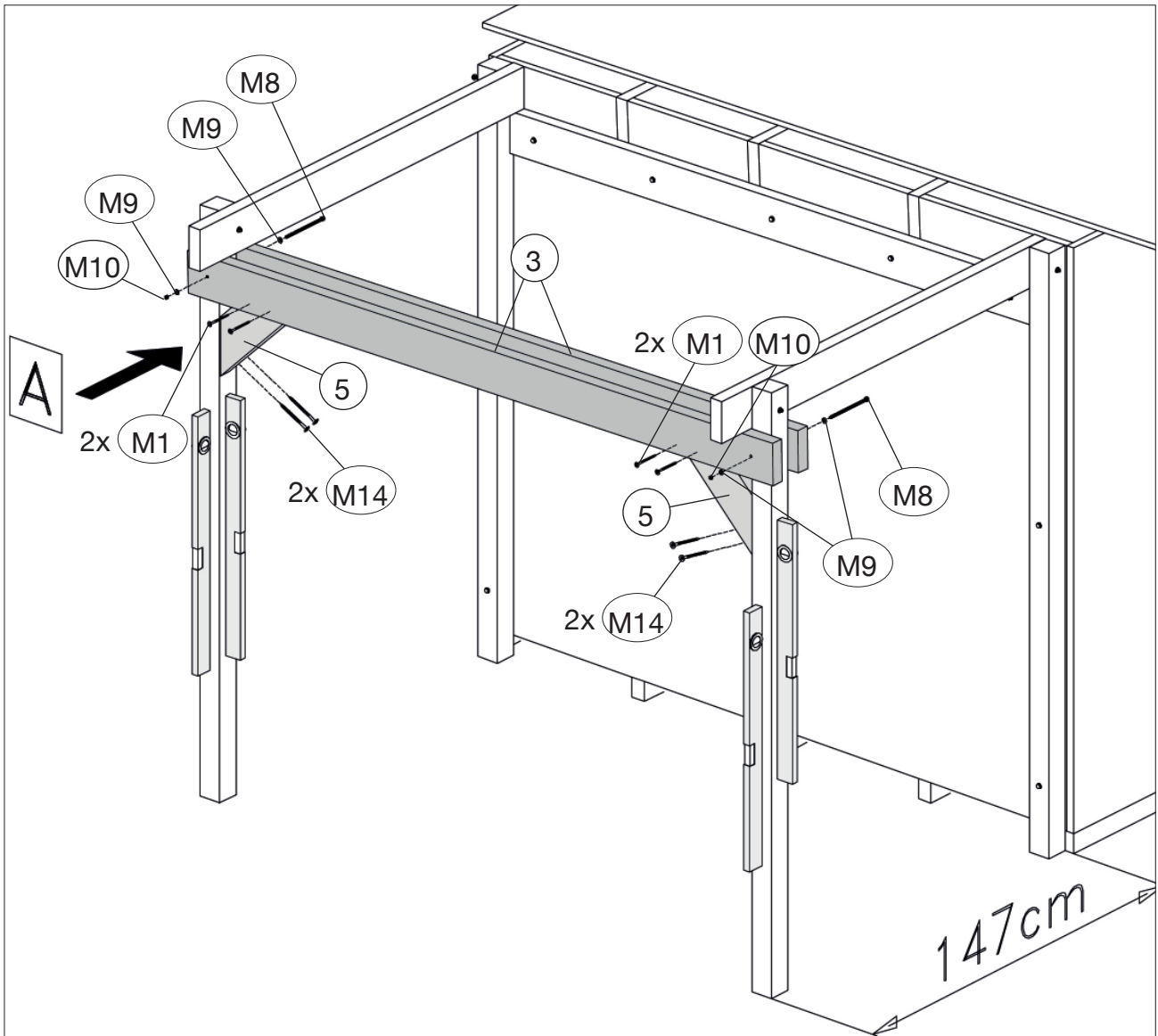


7

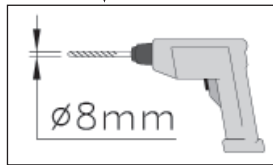
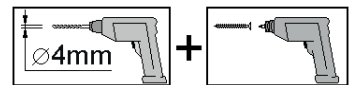
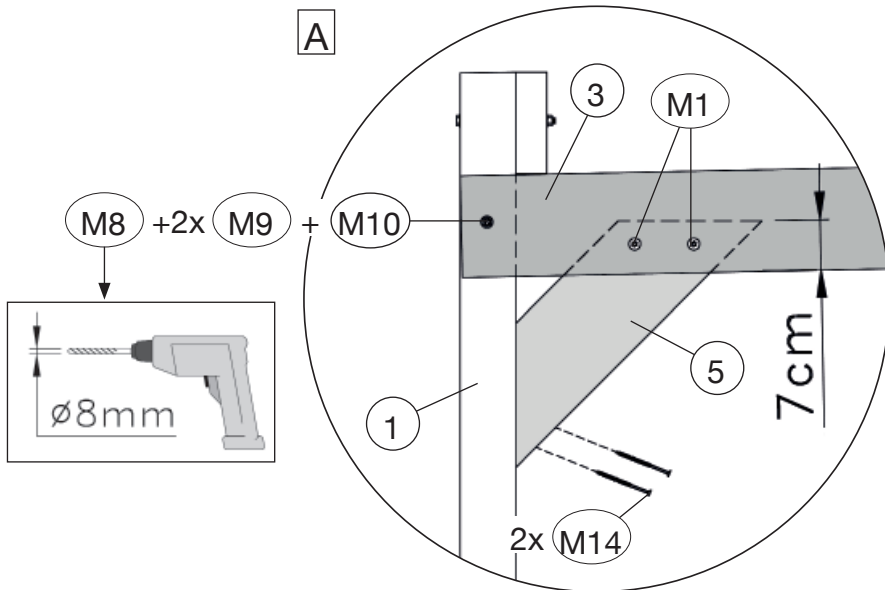
	M1	5,0 x 80
	M14	5,0 x 120

	M8	M8 x 180

	M9	8,4
	M10	M8

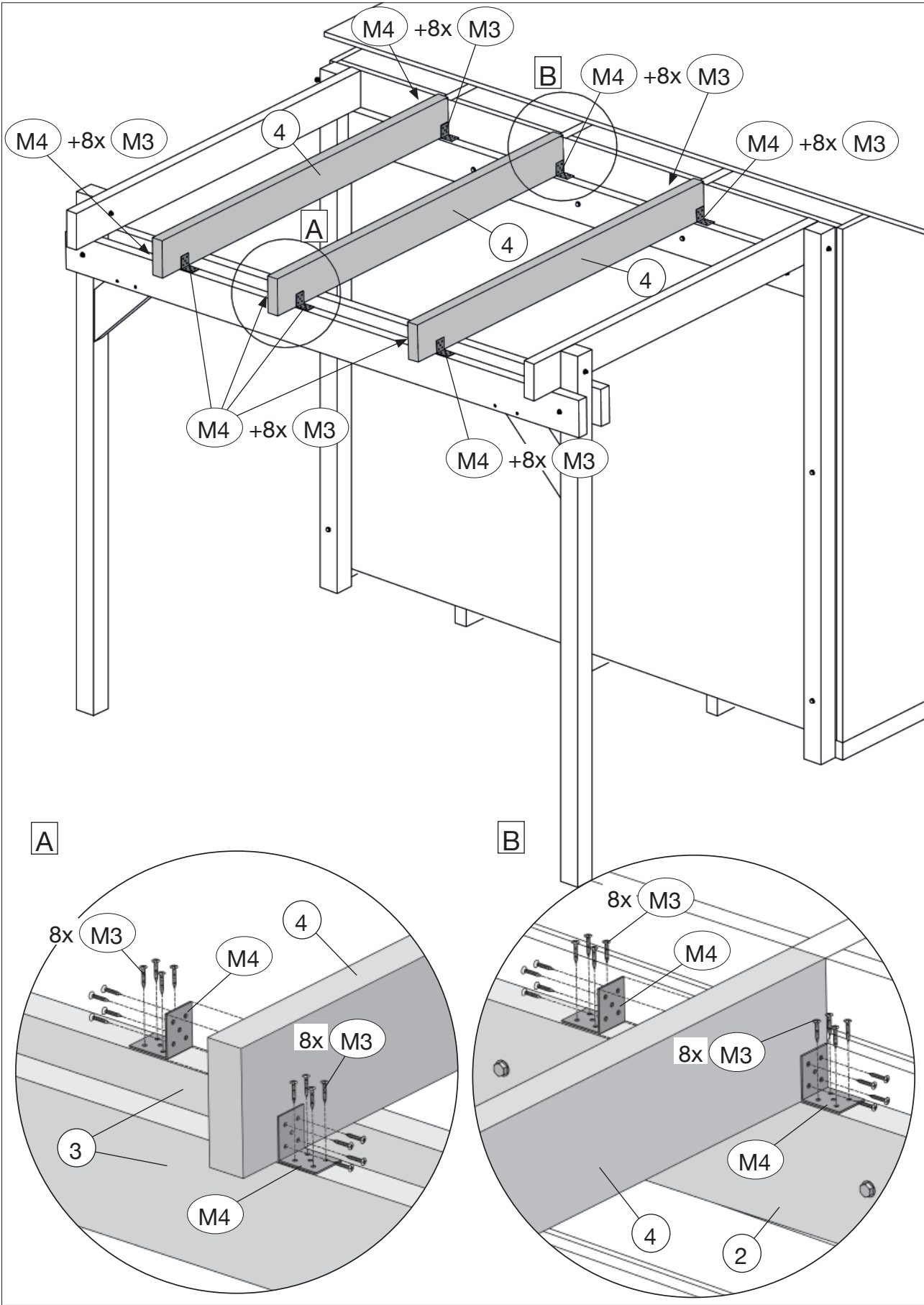


A




8

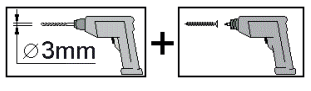
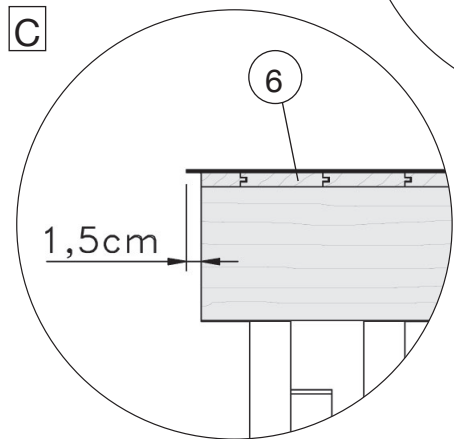
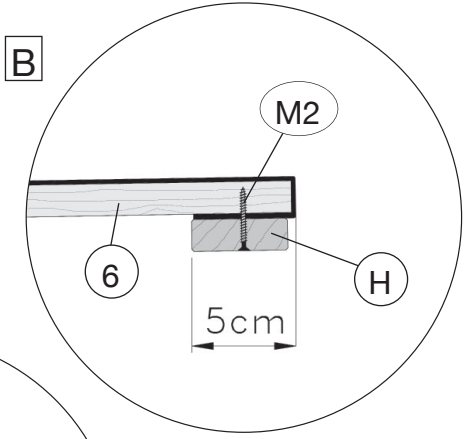
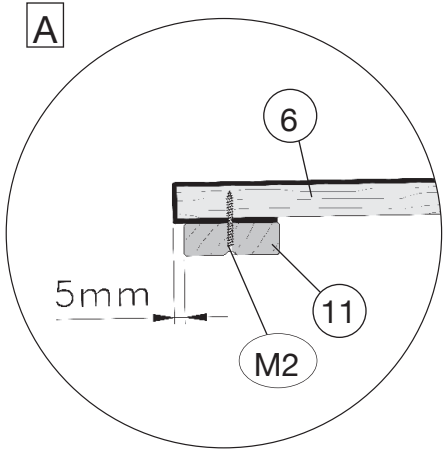
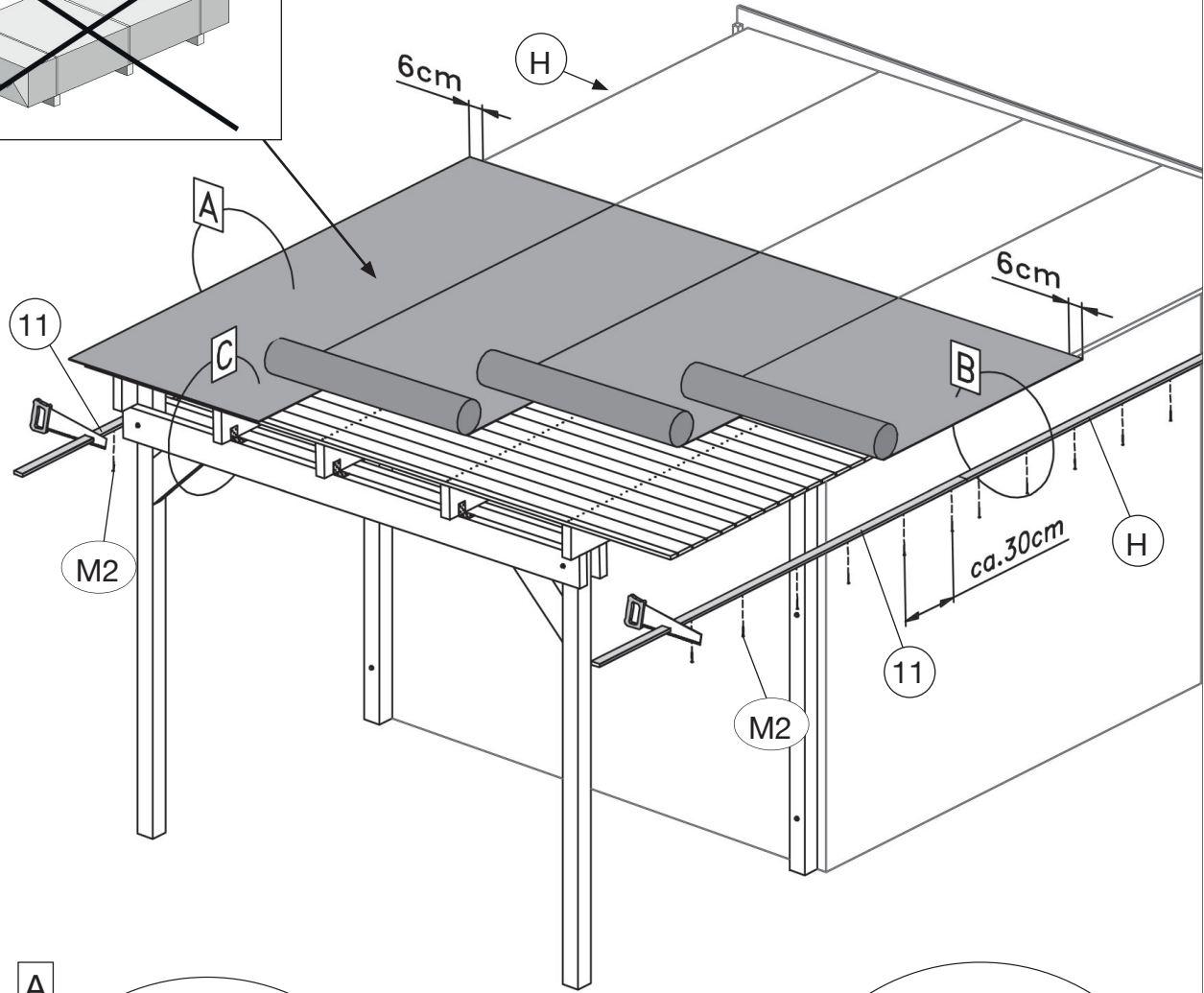
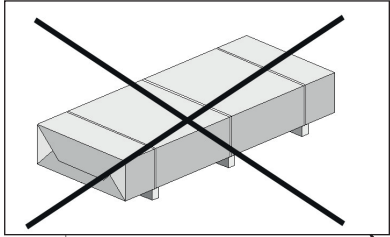
	M3	5,0 x 20
	M4	50/50/40



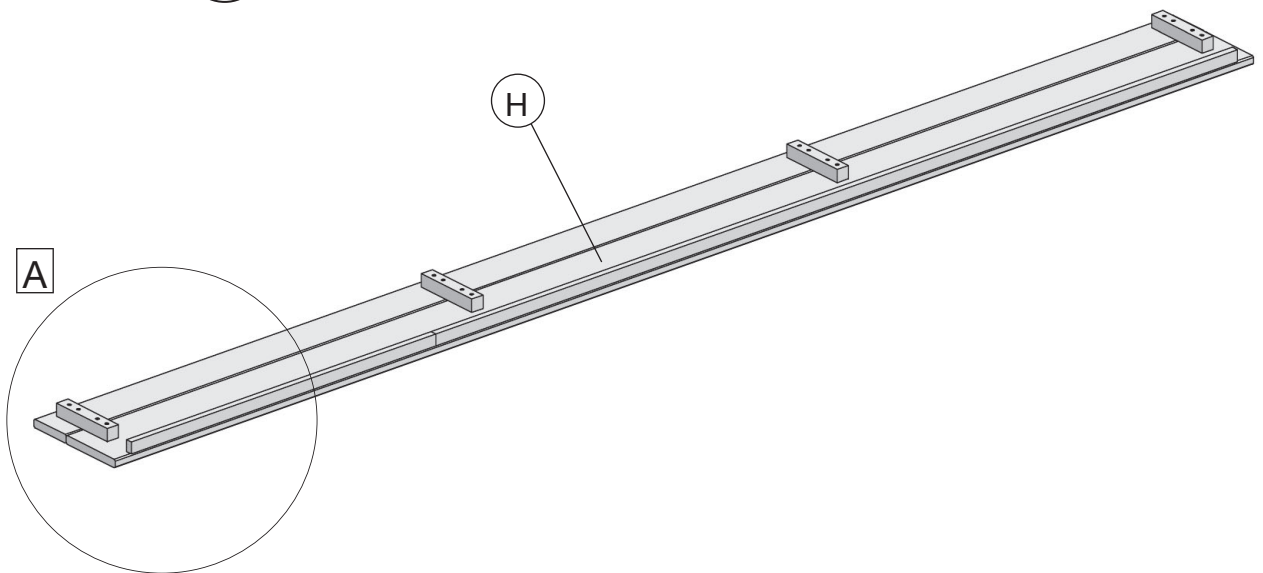


10

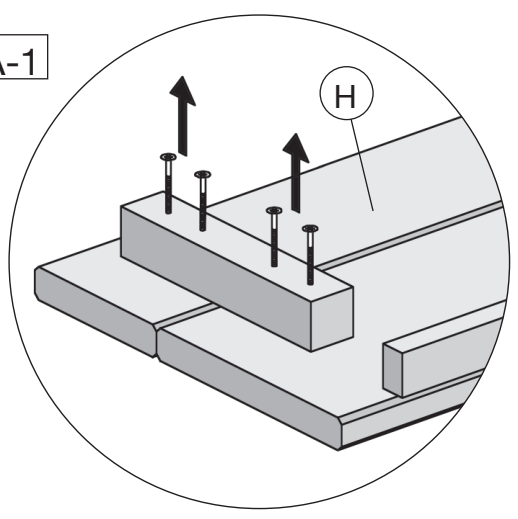
	M6 3,0 x 30



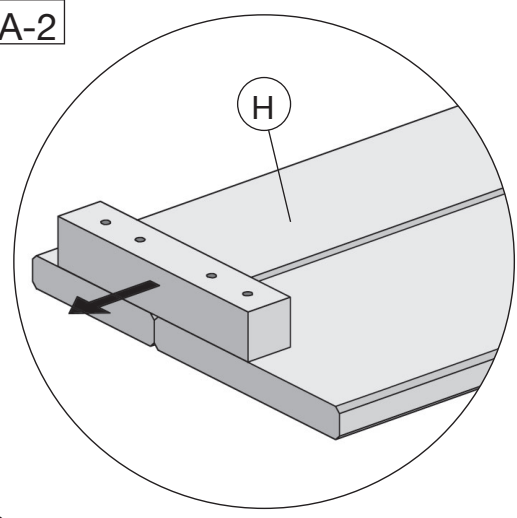
FB (H)



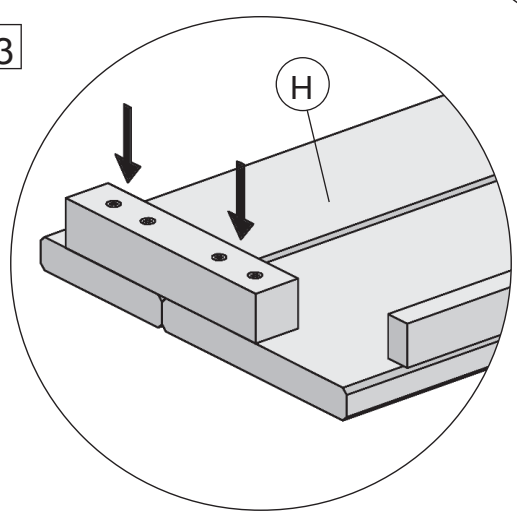
A-1



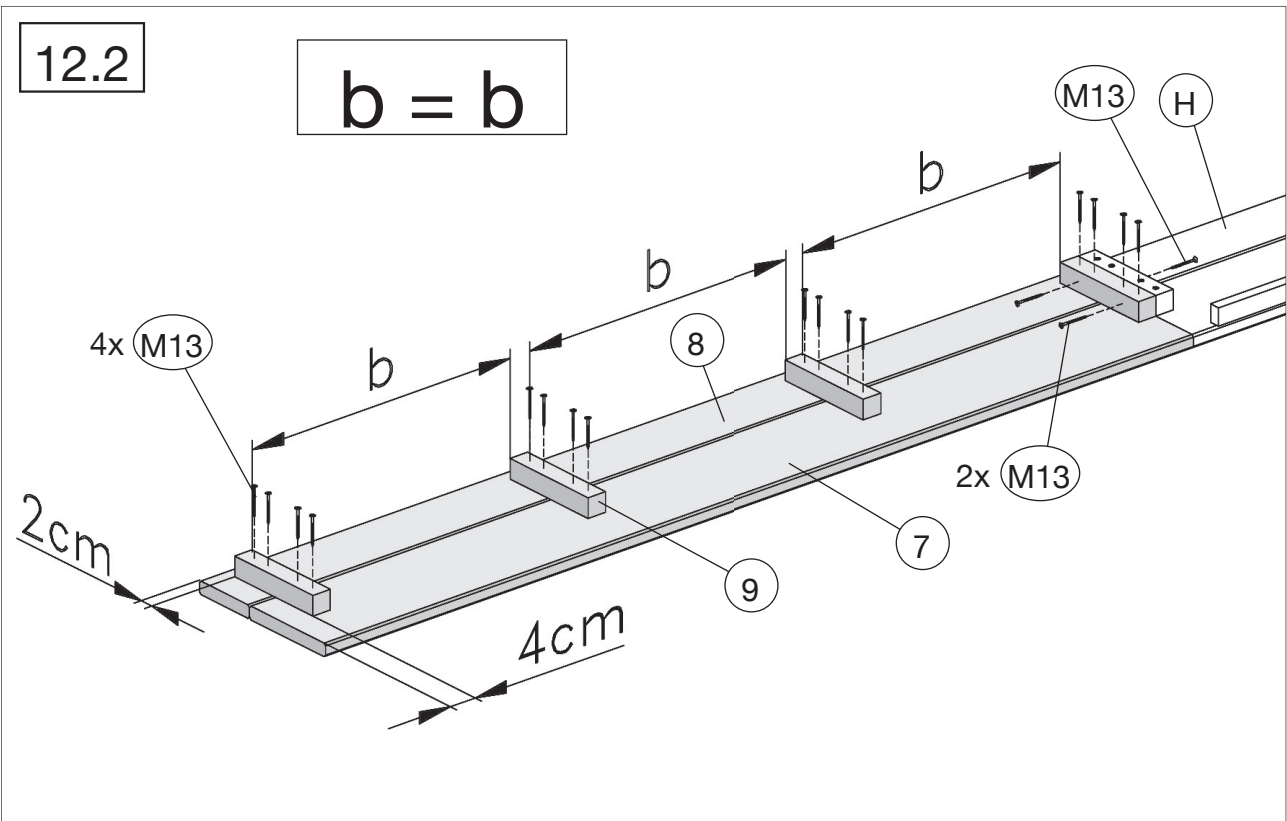
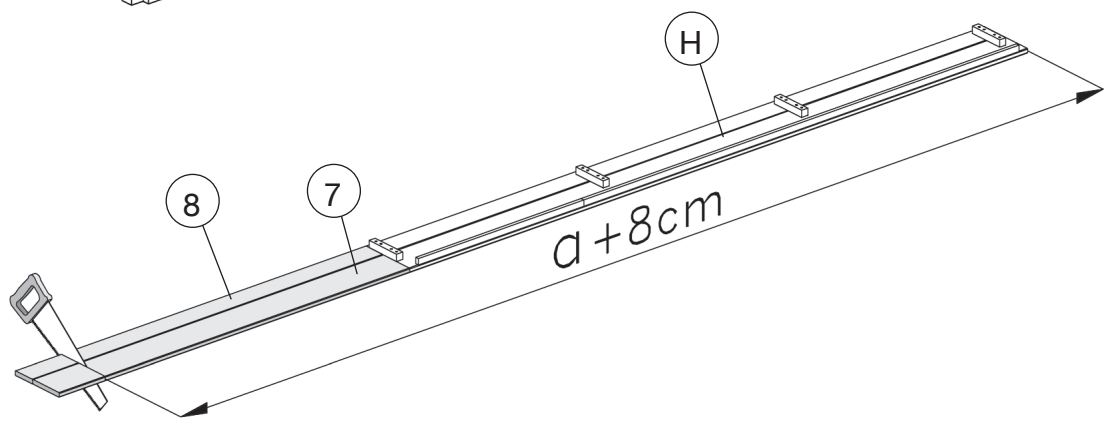
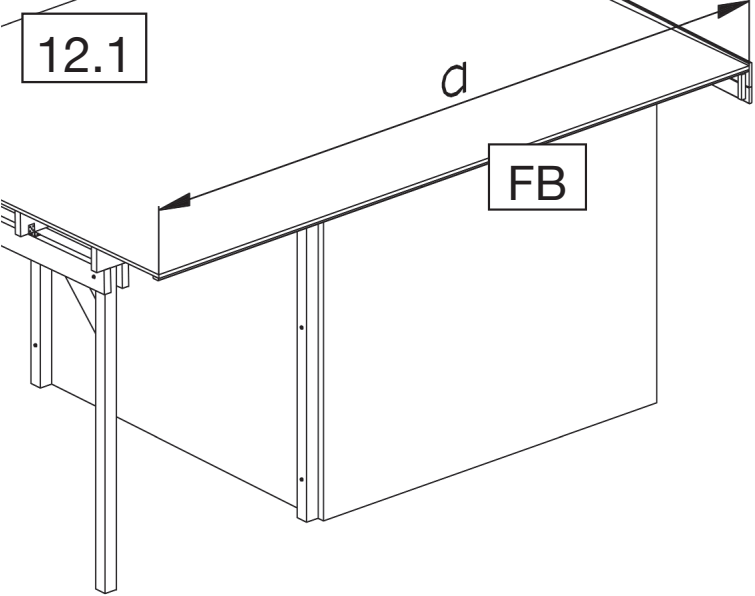
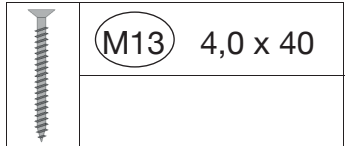
A-2

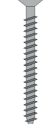


A-3

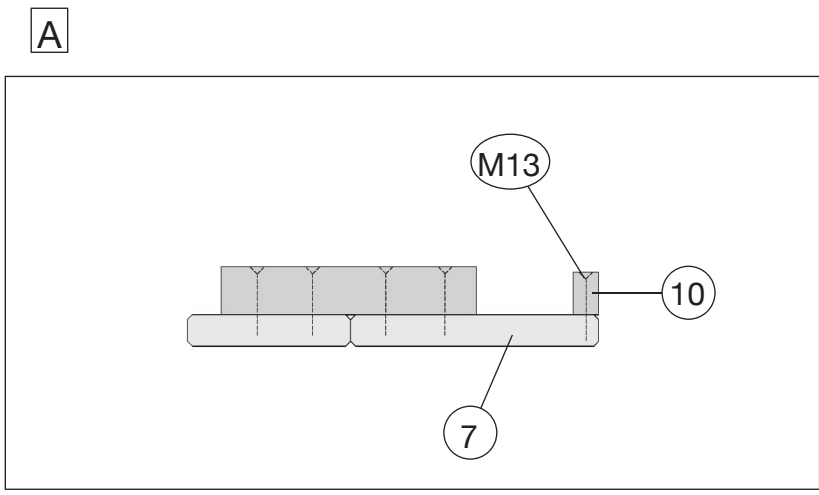
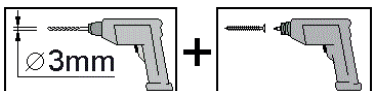
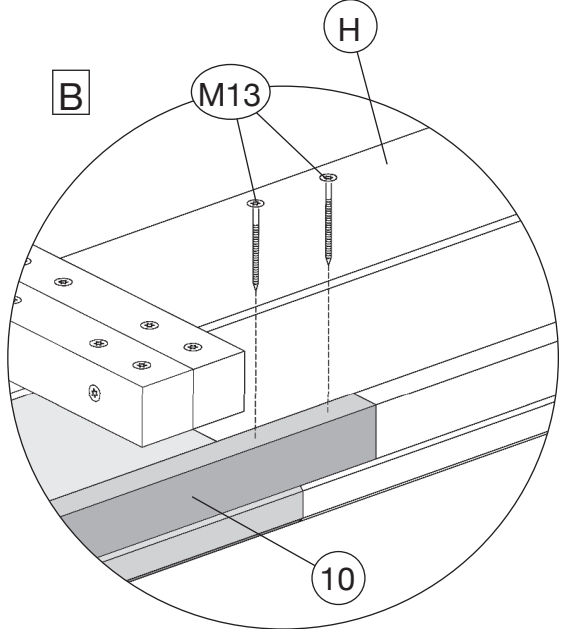
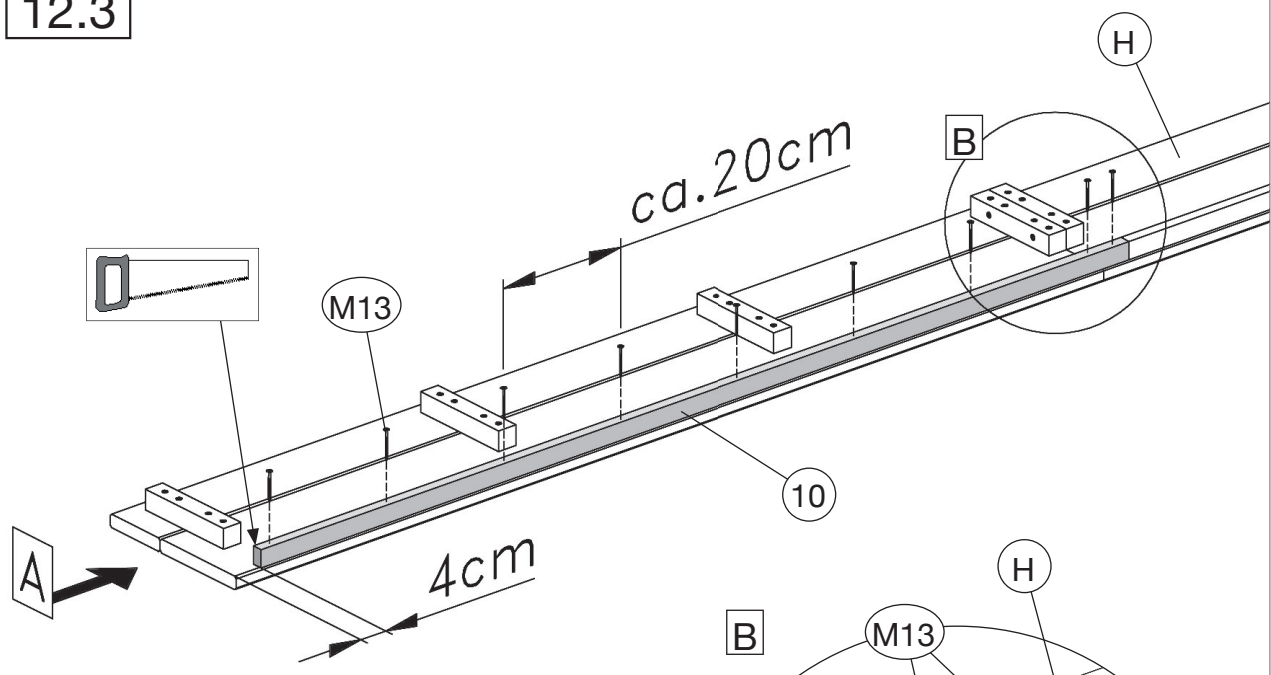


12



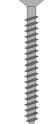
	<b>M13</b> 4,0 x 40
---	---------------------

12.3

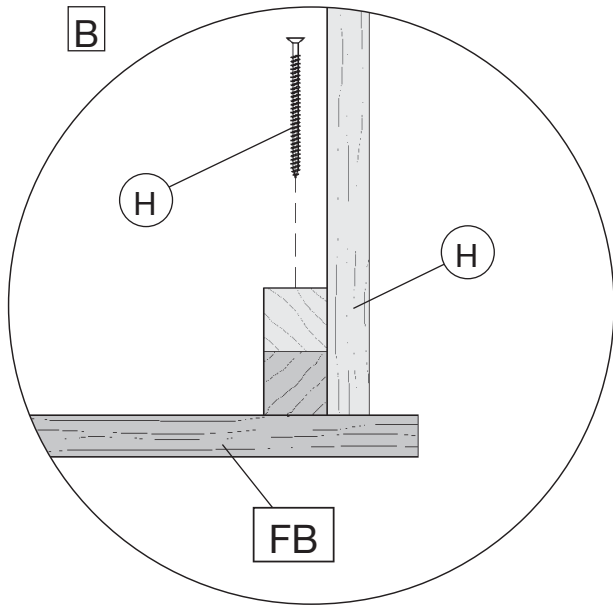
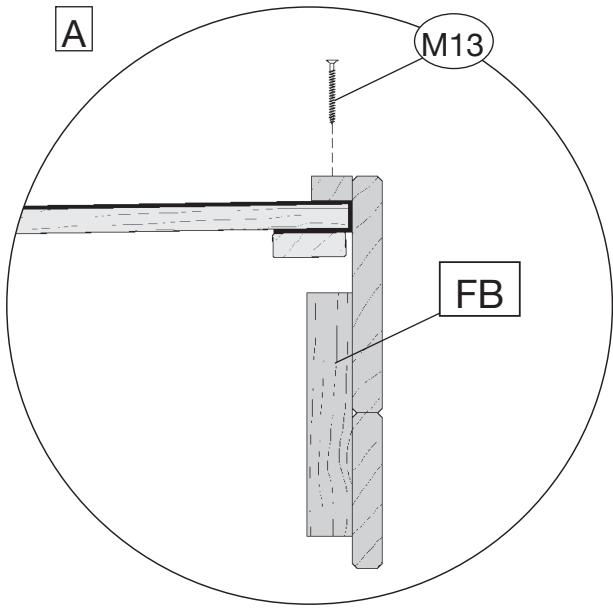
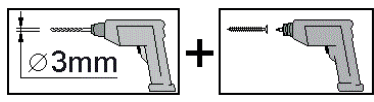
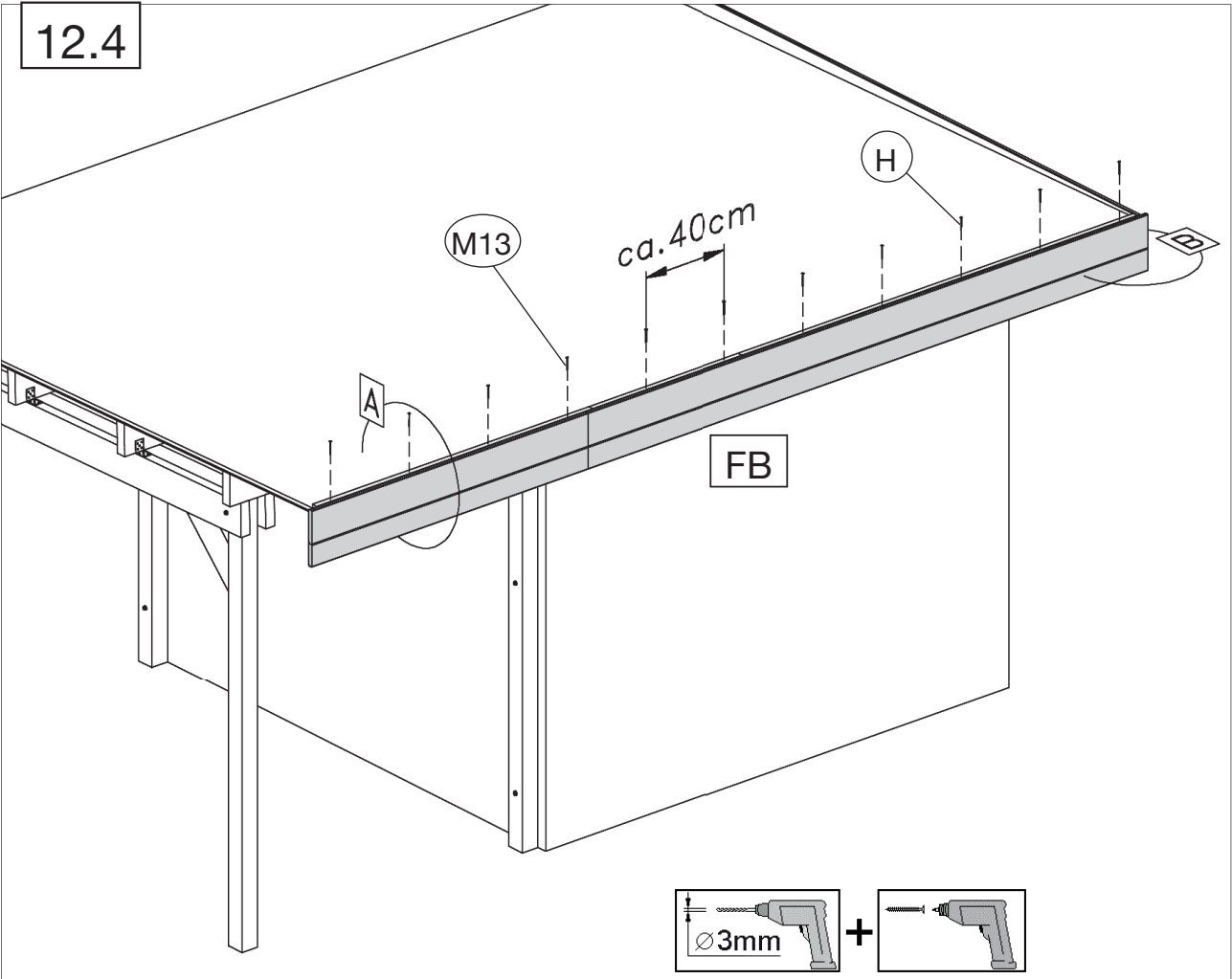




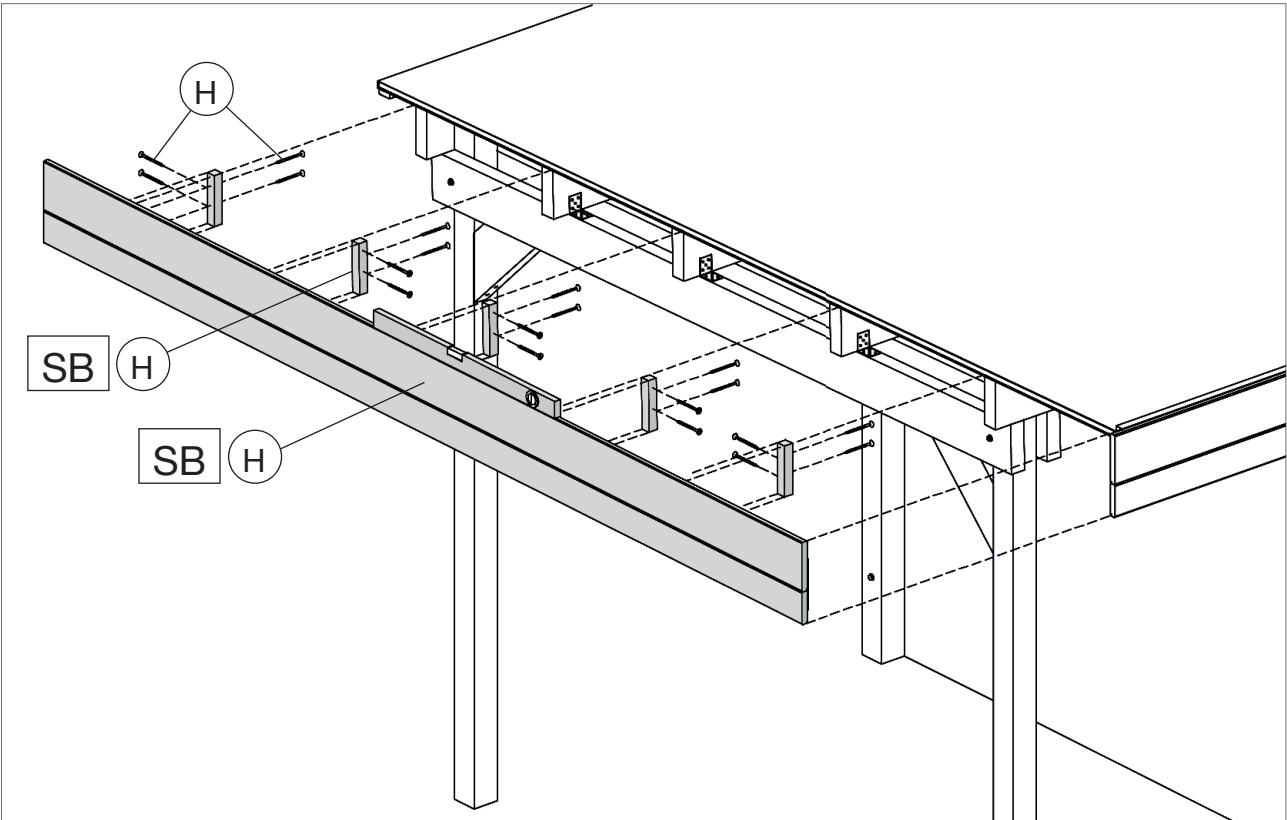
12

	<b>M13</b> 4,0 x 40
---	---------------------

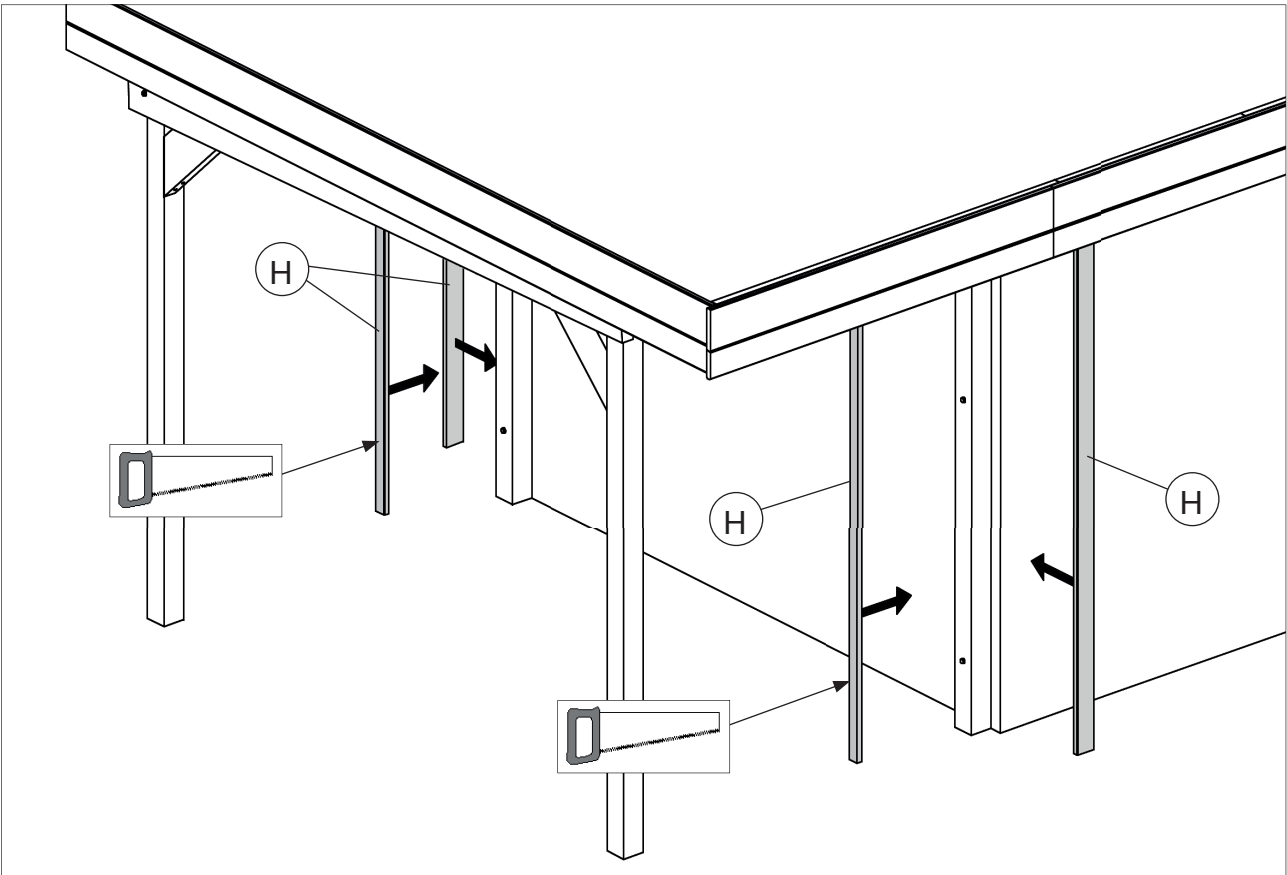
12.4



13



14





[www.weka-holzbau.com](http://www.weka-holzbau.com)



**weka**

## **WEKA Holzbau GmbH**

Johannesstr. 16, 17034 Neubrandenburg

Tel.: +49 (0)395 42908-0

Fax: +49 (0)395 42908-83

Mail: [info@weka-holzbau.com](mailto:info@weka-holzbau.com)

Web: [www.weka-holzbau.com](http://www.weka-holzbau.com)

MA Art.-Nr.: 800.0286.17.57